



US00D696315S

(12) **United States Design Patent**
Schmid

(10) **Patent No.:** **US D696,315 S**
(45) **Date of Patent:** **** Dec. 24, 2013**

(54) **MACHINE TOOL**

(71) Applicant: **Supfina Grieshaber GmbH & Co. KG,**
Wolfach (DE)

(72) Inventor: **Jürgen R. Schmid,** Ammerbuch (DE)

(73) Assignee: **Supfina Grieshaber GmbH & Co. KG,**
Wolfach (DE)

(**) Term: **14 Years**

(21) Appl. No.: **29/440,115**

(22) Filed: **Dec. 19, 2012**

(30) **Foreign Application Priority Data**

Jun. 19, 2012 (EM) 002060012-0001

(51) **LOC (9) Cl.** **15-09**

(52) **U.S. Cl.**
USPC **D15/122**

(58) **Field of Classification Search**
USPC D15/122, 124, 127, 128, 130, 131;
29/26 A, 26 R, 30, 33 A-33 T, 34 R, 39,
29/50, 563-566, 564.1-564.8; 483/17-57
See application file for complete search history.

(56) **References Cited**

U.S. PATENT DOCUMENTS

D266,520	S	*	10/1982	Engel	D15/122
4,443,929	A	*	4/1984	Bayer et al.	483/32
D319,834	S	*	9/1991	Rutschle	D15/131
D388,103	S	*	12/1997	Gotou et al.	D15/127
D399,221	S	*	10/1998	Schwartz	D15/141
D445,807	S	*	7/2001	Baulk	D15/127
D495,723	S	*	9/2004	Kawamura et al.	D15/127
7,013,543	B2	*	3/2006	Iwabuchi et al.	29/27 C
D548,754	S	*	8/2007	Itabashi et al.	D15/122

D548,755	S	*	8/2007	Takeshima et al.	D15/122
D559,871	S	*	1/2008	Kittaka et al.	D15/122
D567,263	S	*	4/2008	Sugihara et al.	D15/122
D578,144	S	*	10/2008	Arisue et al.	D15/122
D614,210	S	*	4/2010	Basler et al.	D15/122
D620,508	S	*	7/2010	Jacquet et al.	D15/122
D635,596	S	*	4/2011	Hiroshima et al.	D15/122
D636,796	S	*	4/2011	Hiroshima et al.	D15/122
D637,631	S	*	5/2011	Hiroshima et al.	D15/122
D644,570	S	*	9/2011	Chuang	D12/110
D649,173	S	*	11/2011	Bruce et al.	D15/122
D649,174	S	*	11/2011	Schindler	D15/127
D649,567	S	*	11/2011	Schindler	D15/127
D654,099	S	*	2/2012	Schindler et al.	D15/122
D654,518	S	*	2/2012	Miyake et al.	D15/122
D658,686	S	*	5/2012	Mueller	D15/122
D659,728	S	*	5/2012	Mueller	D15/122
D667,031	S	*	9/2012	Mueller	D15/122
D667,032	S	*	9/2012	Egami	D15/122
D671,969	S	*	12/2012	Yang et al.	D15/122
D676,882	S	*	2/2013	Mueller	D15/122
D680,563	S	*	4/2013	Yang et al.	D15/122

* cited by examiner

Primary Examiner — Patricia Palasik
(74) *Attorney, Agent, or Firm* — Henry M. Feiereisen, LLC;
Ursula B. Day

(57) **CLAIM**
The ornamental design for a machine tool, as shown and described.

DESCRIPTION

FIG. 1 is a left side front perspective view of a machine tool showing my new design;
FIG. 2 is a right side front perspective view thereof;
FIG. 3 is a front elevational view thereof;
FIG. 4 is a rear elevational view thereof;
FIG. 5 is a left side elevational view thereof; and,
FIG. 6 is a right side elevational view thereof.

1 Claim, 6 Drawing Sheets

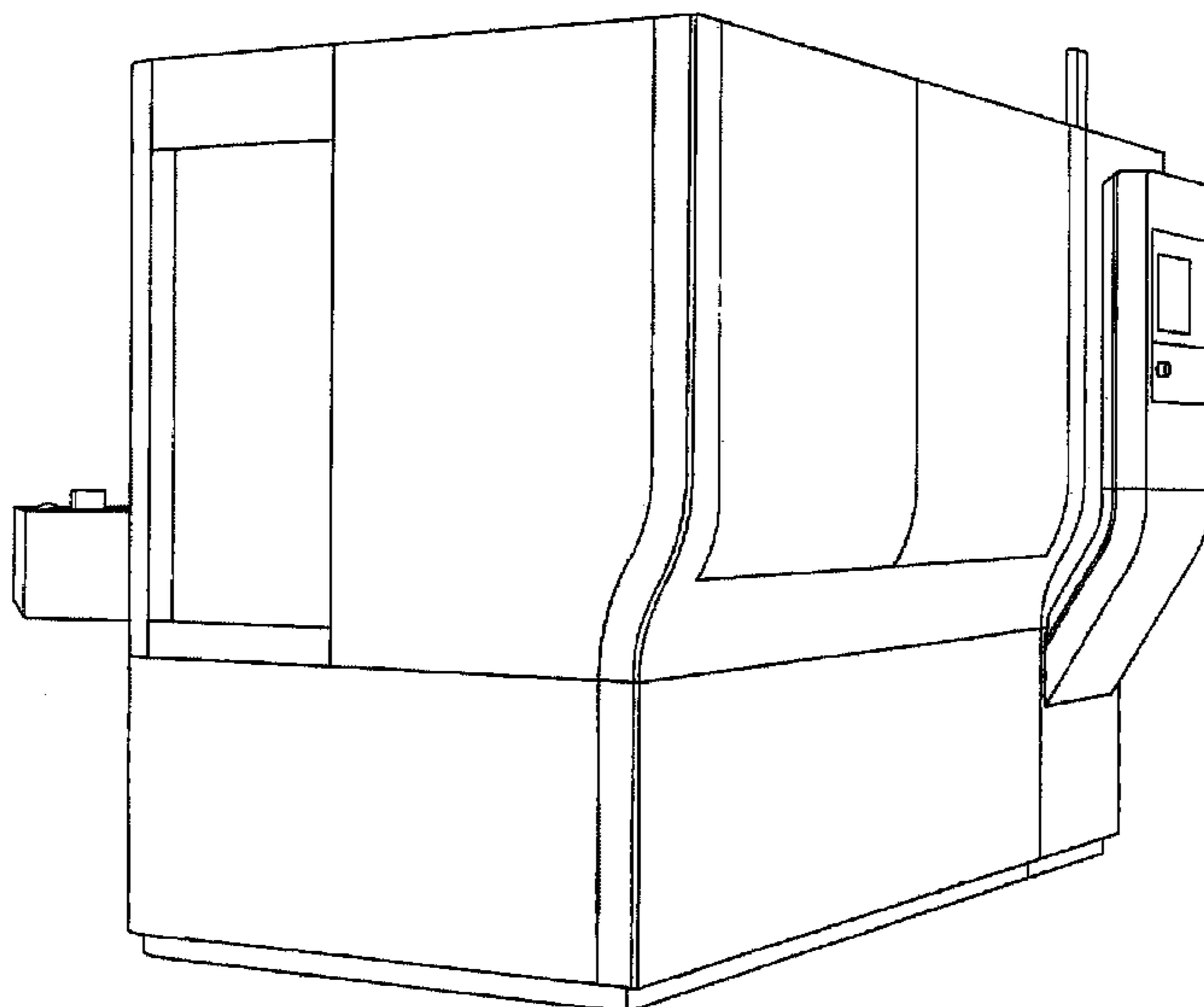


FIG. 1

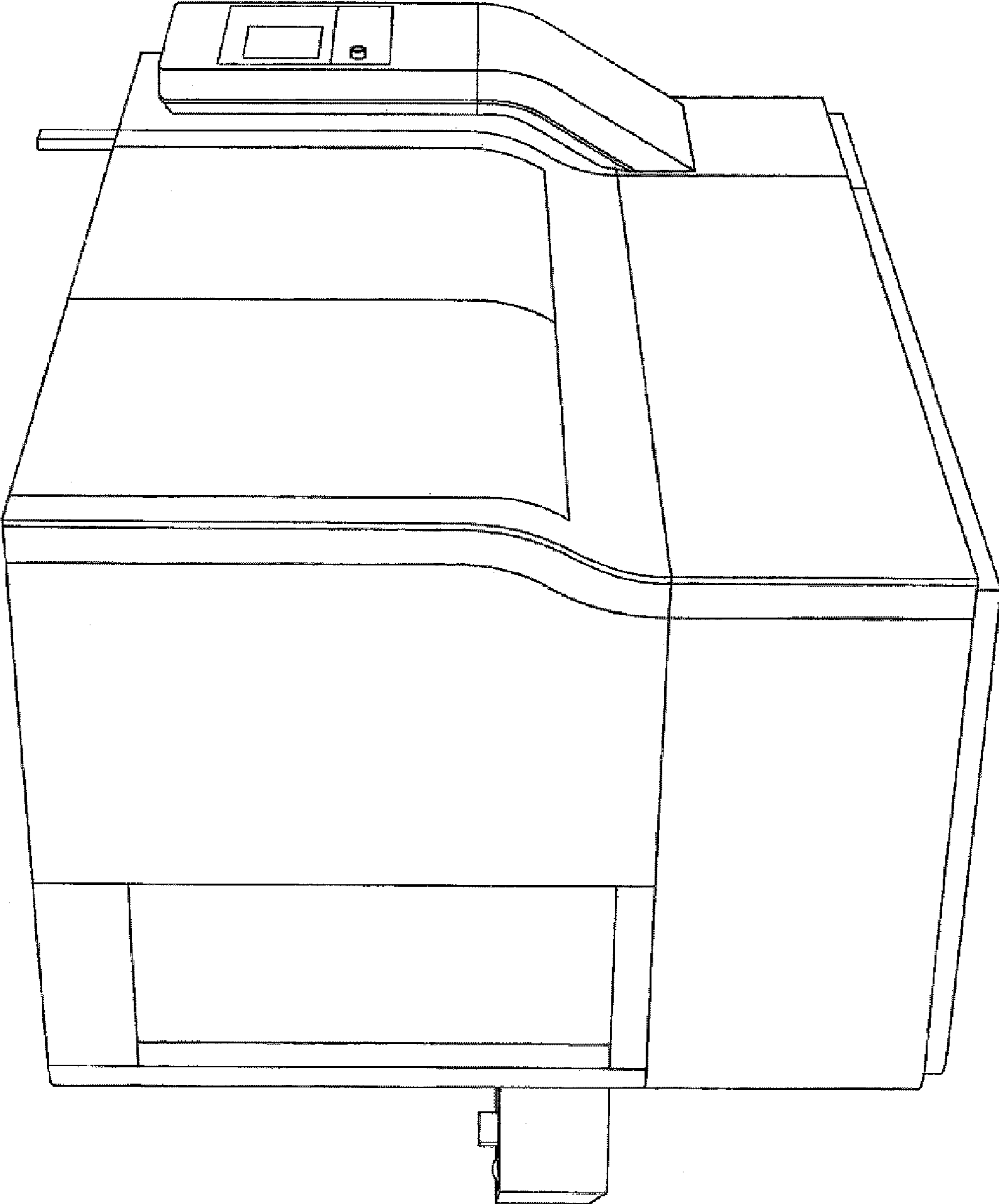
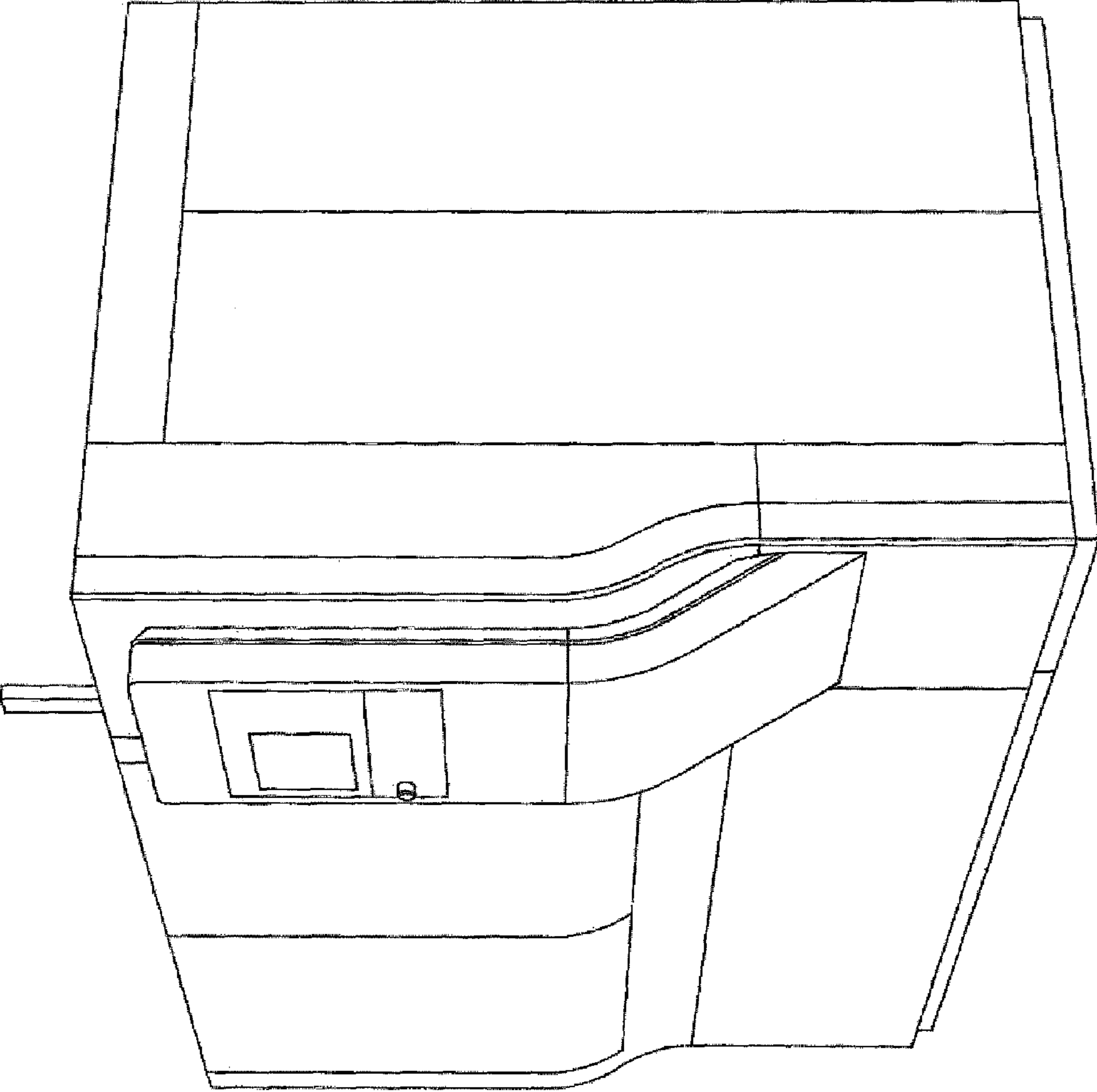


FIG. 2



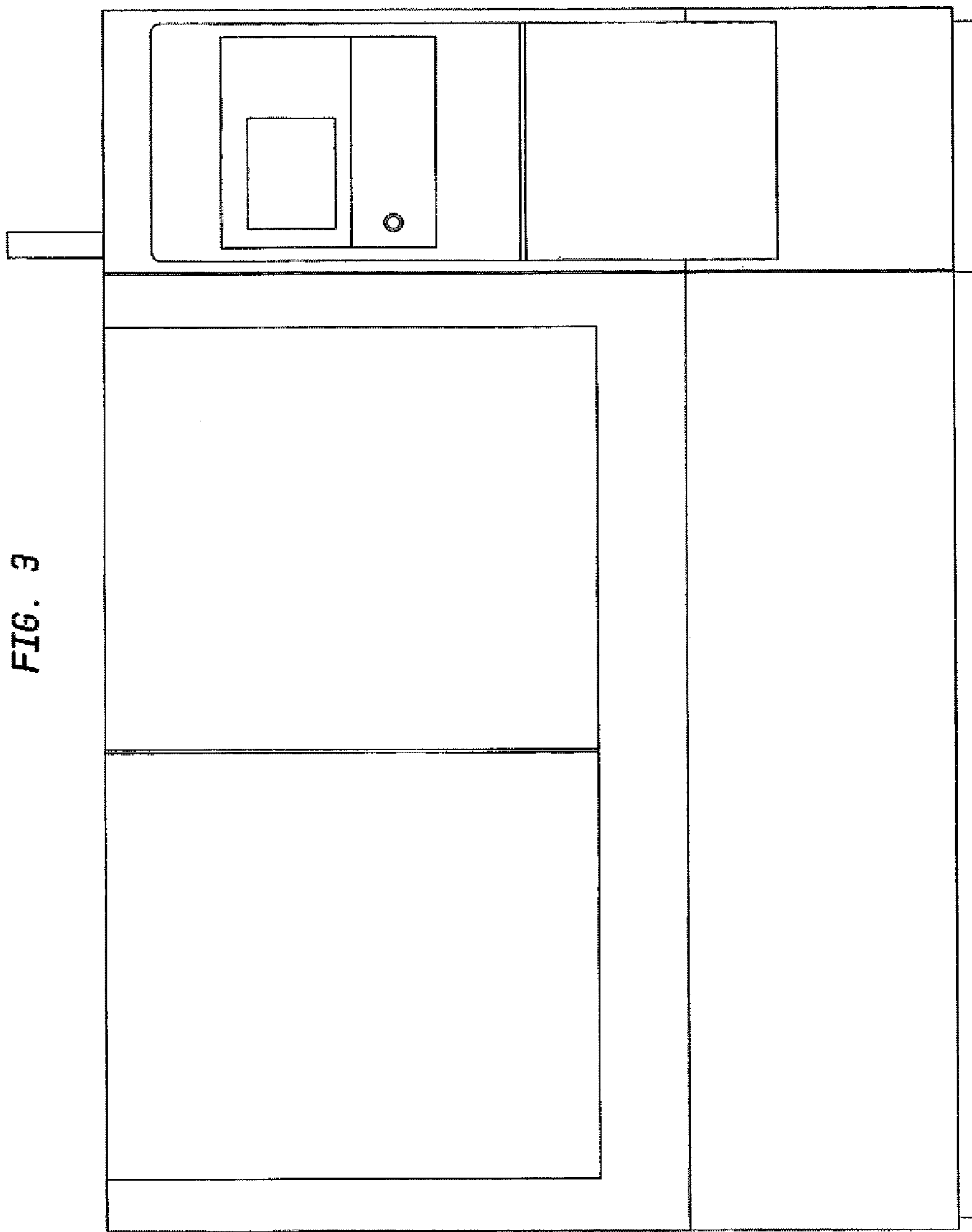


FIG. 3

FIG. 4

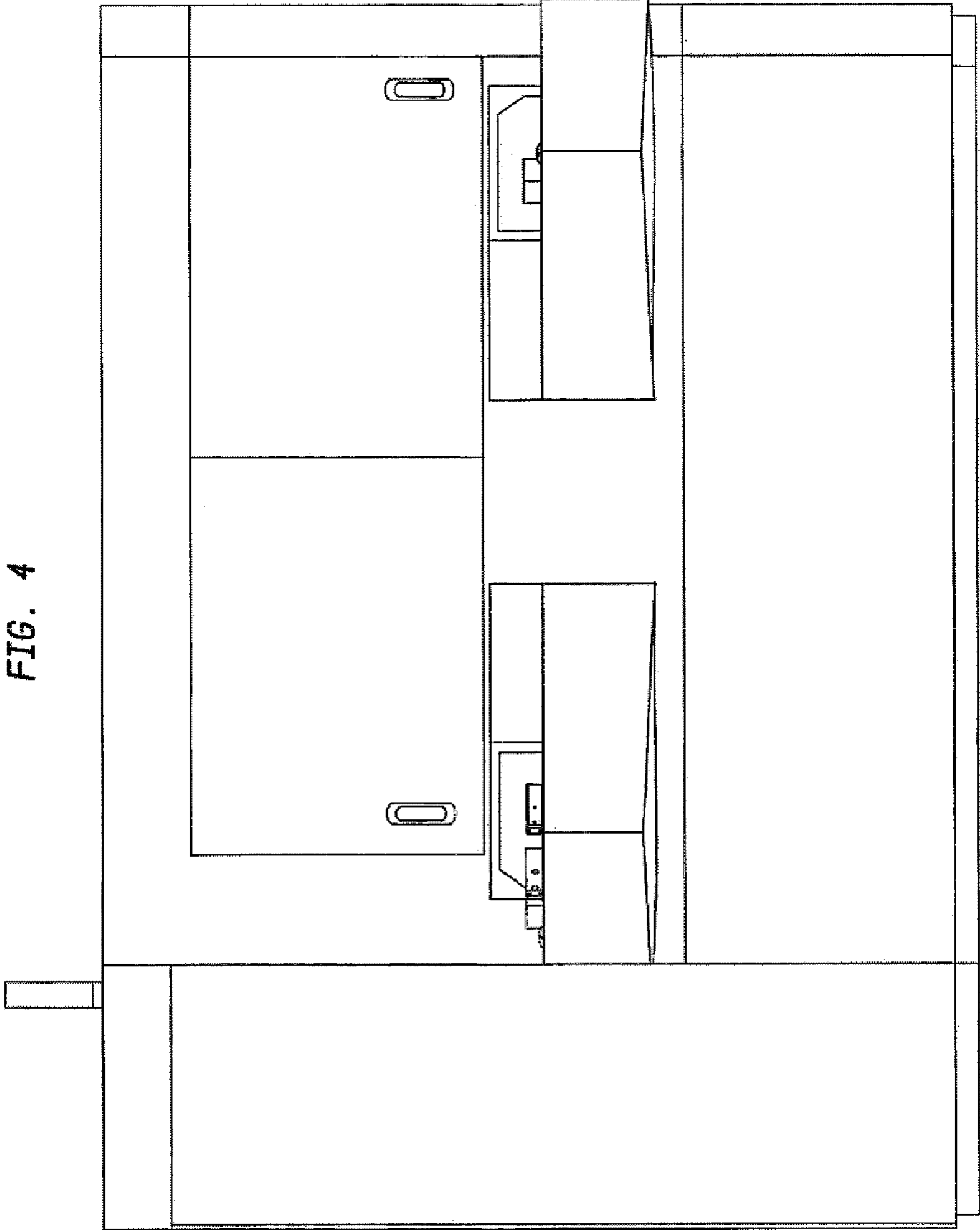


FIG. 5

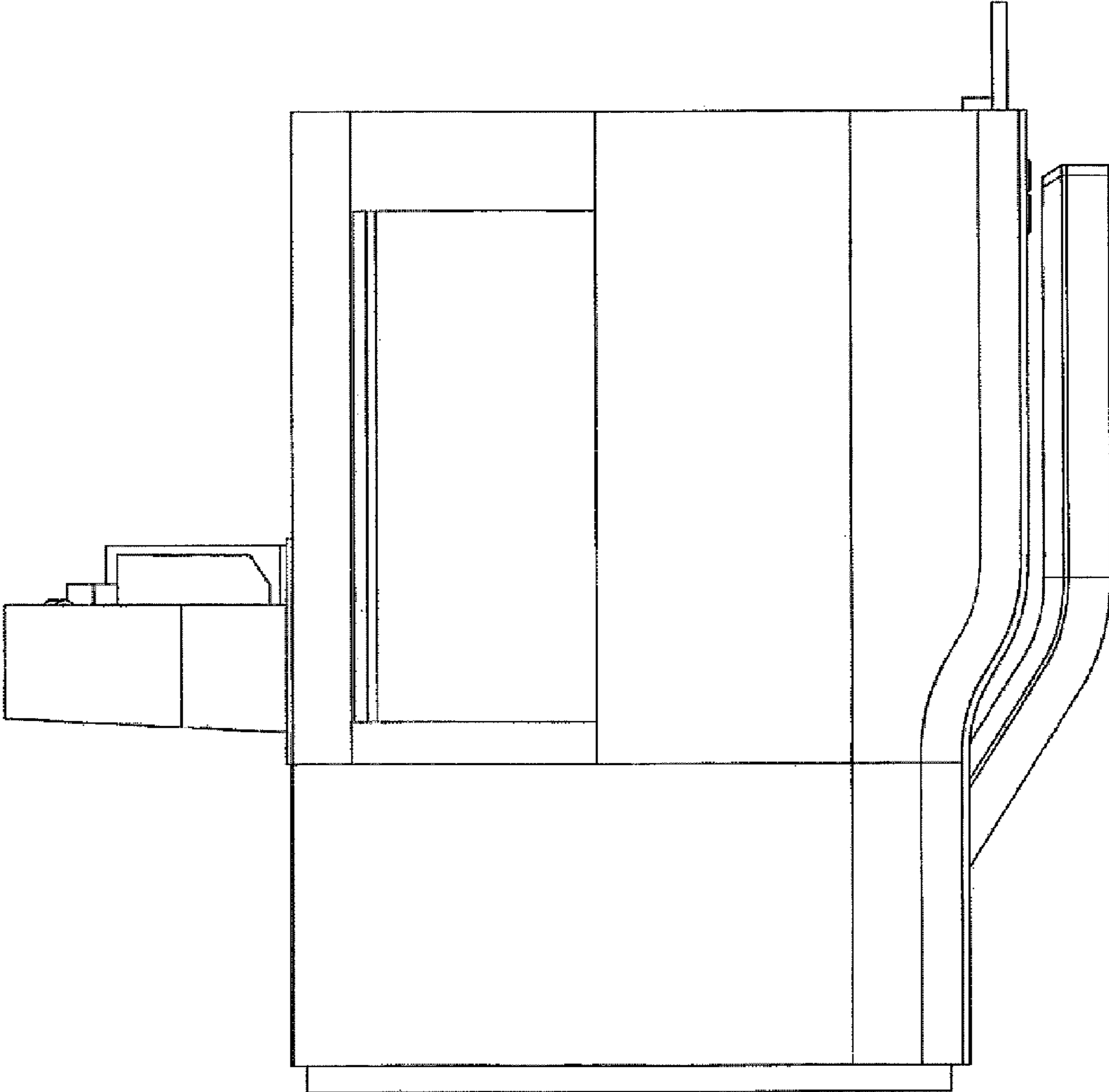


FIG. 6

