



US00D696304S

(12) **United States Design Patent**
Ormaechea et al.

(10) **Patent No.:** **US D696,304 S**

(45) **Date of Patent:** **** Dec. 24, 2013**

(54) **SEWING MACHINE**

(56) **References Cited**

(71) Applicants: **Agustin Ormaechea**, Eibar (ES); **Egoitz De Luis**, Eibar (ES); **Ignacio Rocchetti**, San Cugat Del Valles (ES); **Pierpaolo Congiu**, San Cugat Del Valles (ES)

(72) Inventors: **Agustin Ormaechea**, Eibar (ES); **Egoitz De Luis**, Eibar (ES); **Ignacio Rocchetti**, San Cugat Del Valles (ES); **Pierpaolo Congiu**, San Cugat Del Valles (ES)

(73) Assignee: **Janome Sewing Machine Company Limited**, Hachioji-Shi, Tokyo (JP)

(**) Term: **14 Years**

(21) Appl. No.: **29/434,282**

(22) Filed: **Oct. 11, 2012**

(30) **Foreign Application Priority Data**

Apr. 13, 2012 (EC) 002025254-0001

(51) **LOC (9) Cl.** **15-06**

(52) **U.S. Cl.**
USPC **D15/69**

(58) **Field of Classification Search**
USPC D15/66-76; 112/63, 255-261,
112/217.1-217.4, 444, 475.01, 2, 78, 154
See application file for complete search history.

U.S. PATENT DOCUMENTS

D289,298 S *	4/1987	Eguchi et al.	D15/69
D337,772 S *	7/1993	Kuroki	D15/70
D433,690 S *	11/2000	Kuroki	D15/70
D435,052 S *	12/2000	Kuroki	D15/70
D450,332 S *	11/2001	Kuroki et al.	D15/69
D450,719 S *	11/2001	Kuroki et al.	D15/69
D450,722 S *	11/2001	Kawaguchi	D15/69
D459,737 S *	7/2002	Kuroki	D15/69
D506,478 S *	6/2005	Kuroki	D15/70
D517,571 S *	3/2006	Kuroki	D15/69
D658,212 S *	4/2012	Congiu	D15/69
D664,161 S *	7/2012	Asano et al.	D15/69
D679,297 S *	4/2013	Asano et al.	D15/69

* cited by examiner

Primary Examiner — Mitchell Siegel

(74) *Attorney, Agent, or Firm* — Westerman, Hattori, Daniels & Adrian, LLP

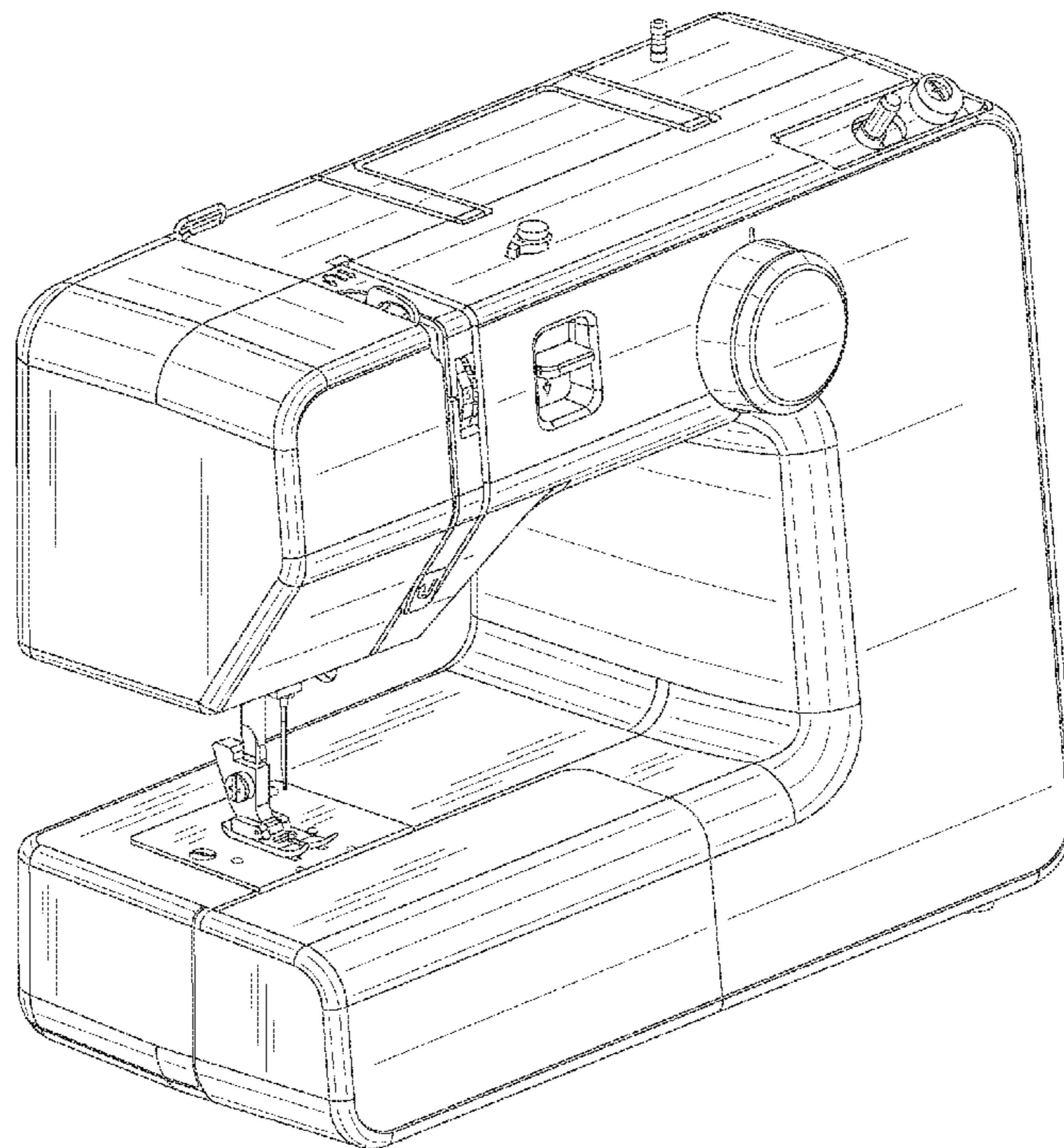
(57) **CLAIM**

The ornamental design for a sewing machine, as shown.

DESCRIPTION

FIG. 1 is a perspective view of the sewing machine showing the new design;
FIG. 2 is a front side view thereof;
FIG. 3 is a left side view thereof;
FIG. 4 is a top view thereof;
FIG. 5 is a rear view thereof;
FIG. 6 is a bottom view thereof;
FIG. 7 is a right side view thereof; and,
FIG. 8 is a perspective view of the sewing machine.

1 Claim, 8 Drawing Sheets



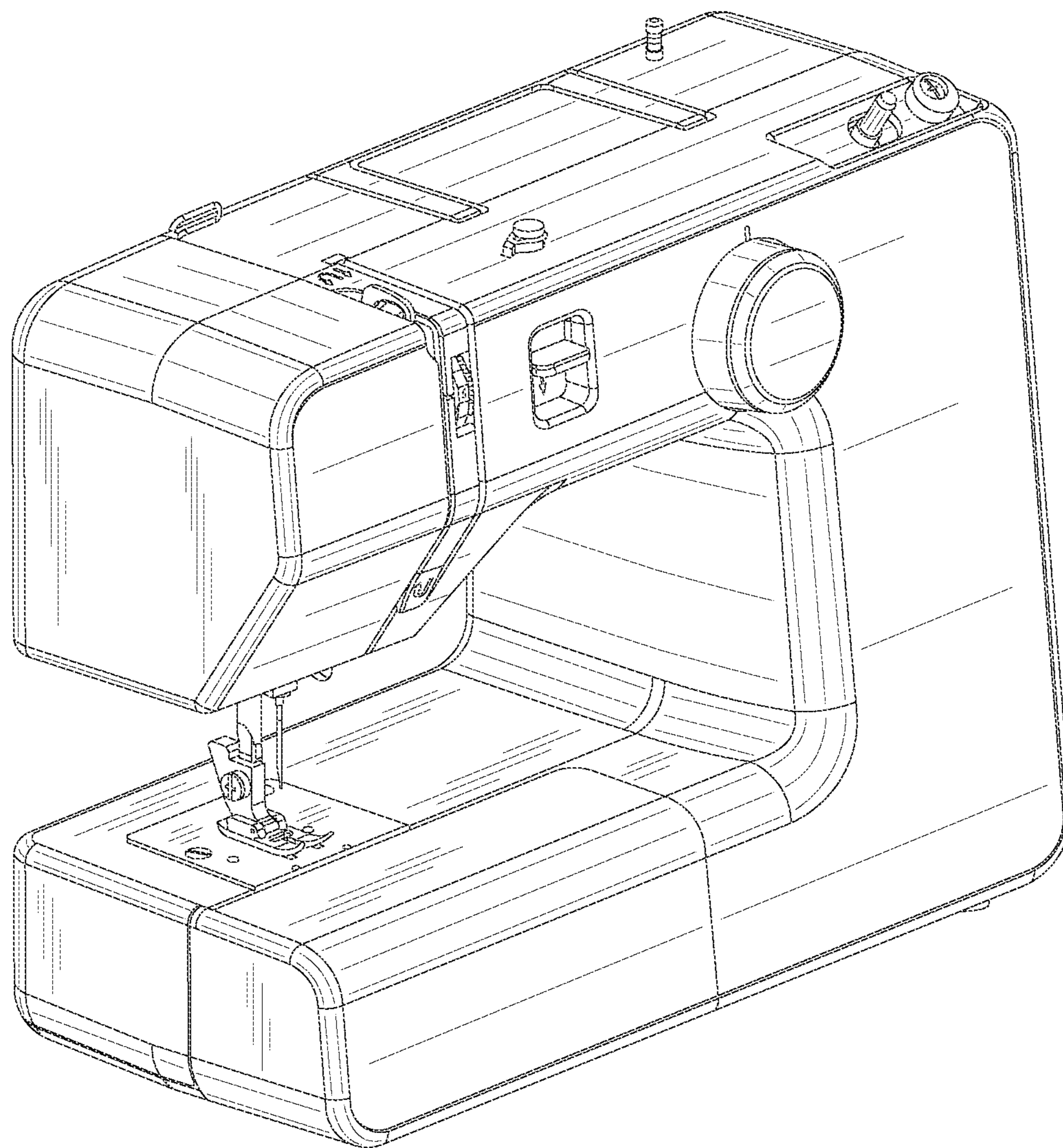


FIG. 1

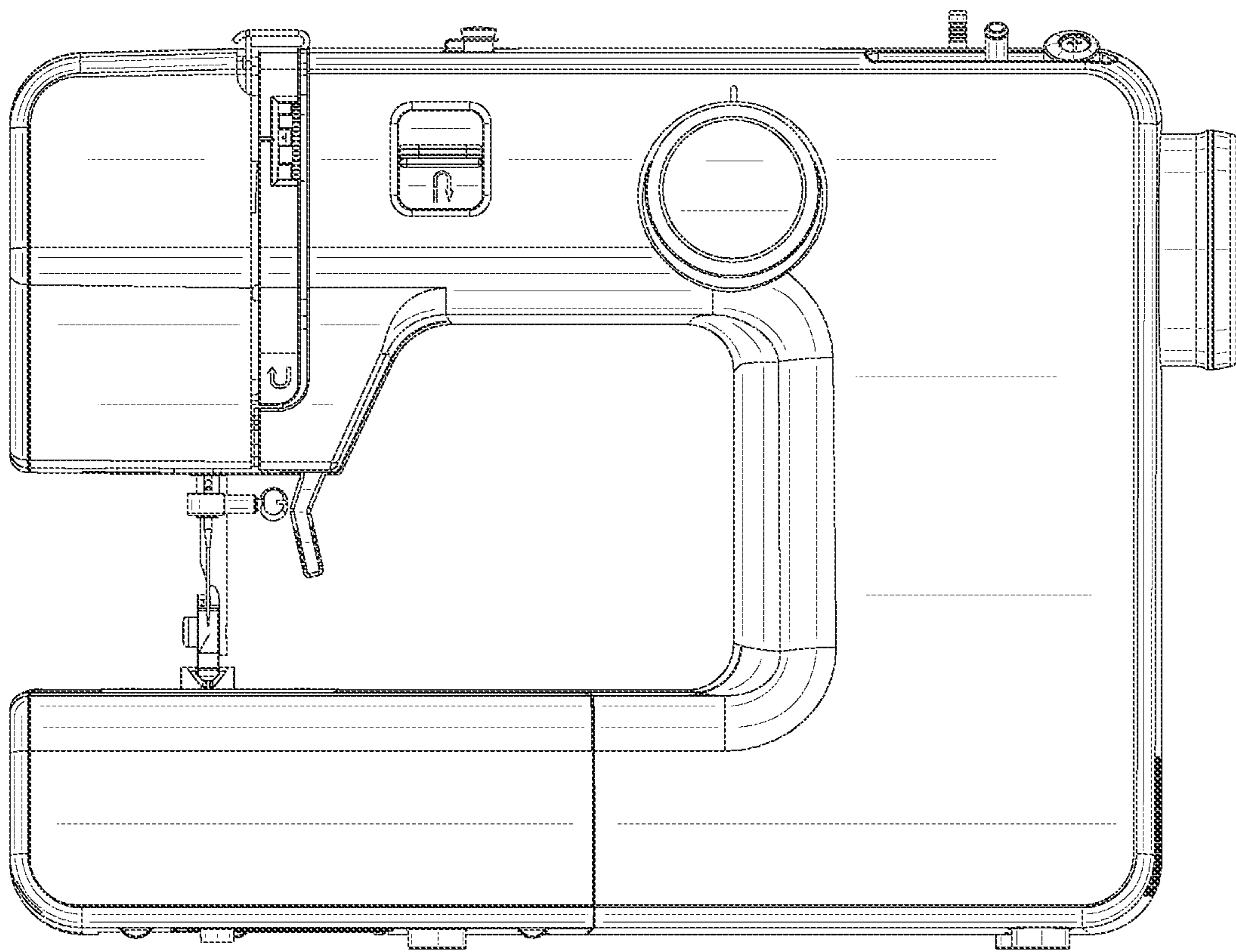


FIG. 2

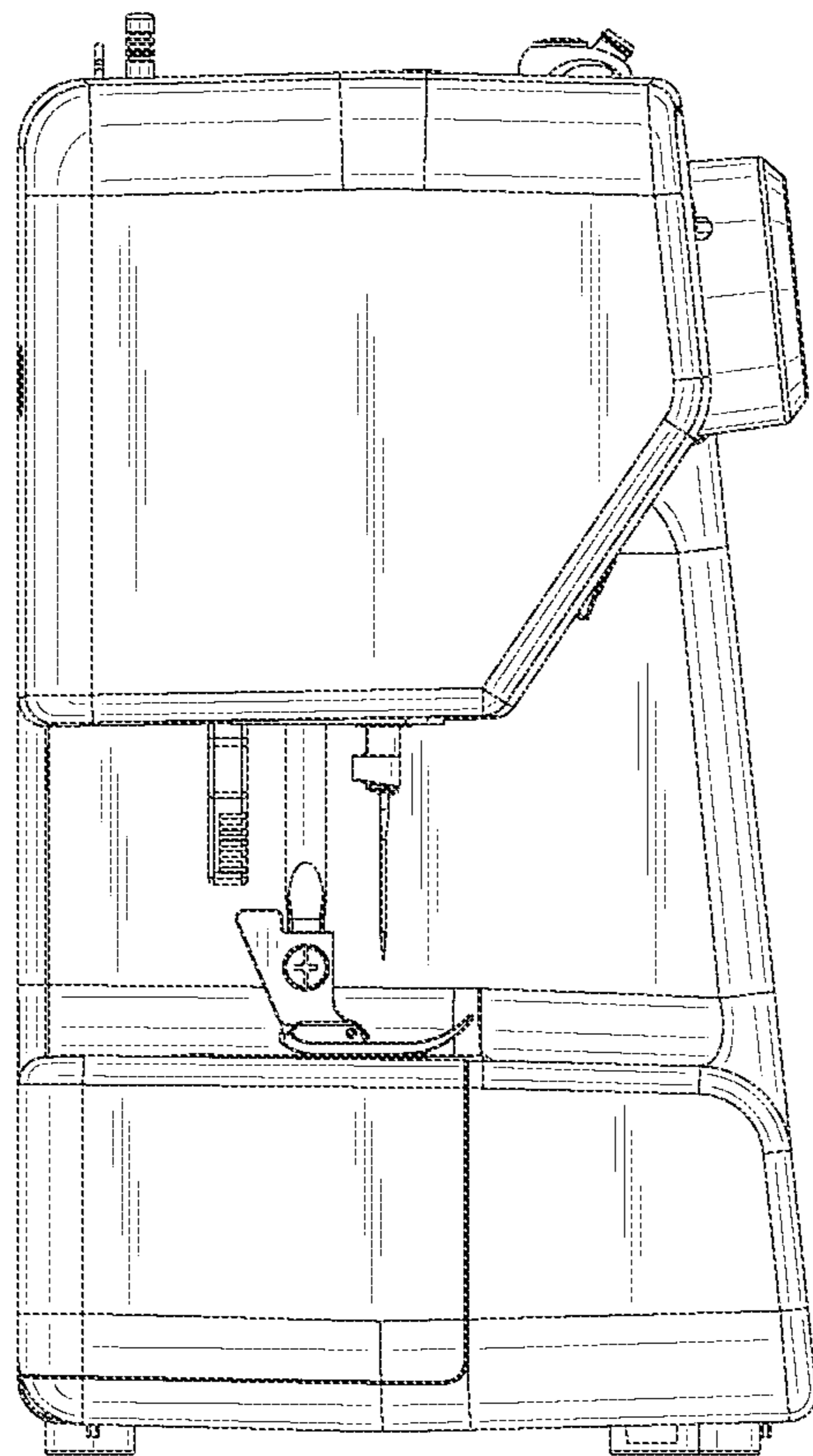


FIG. 3

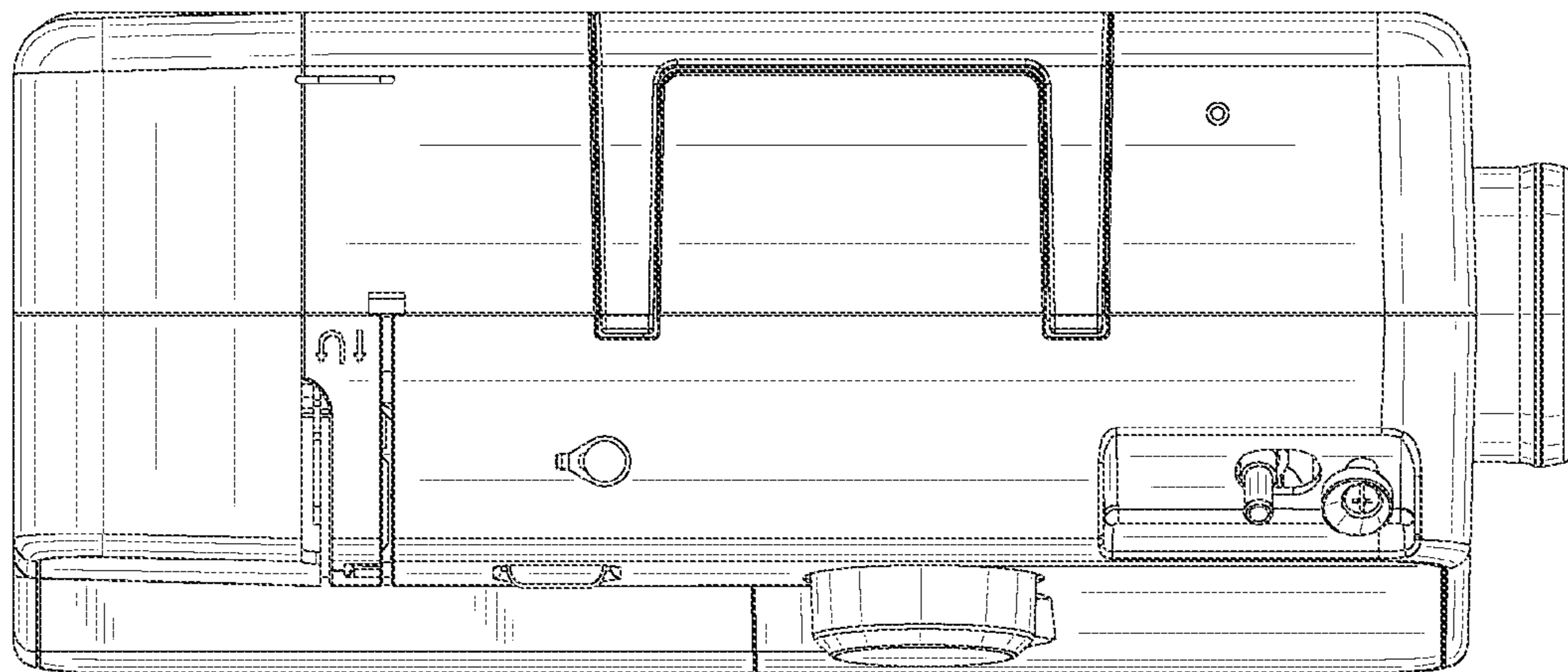


FIG. 4

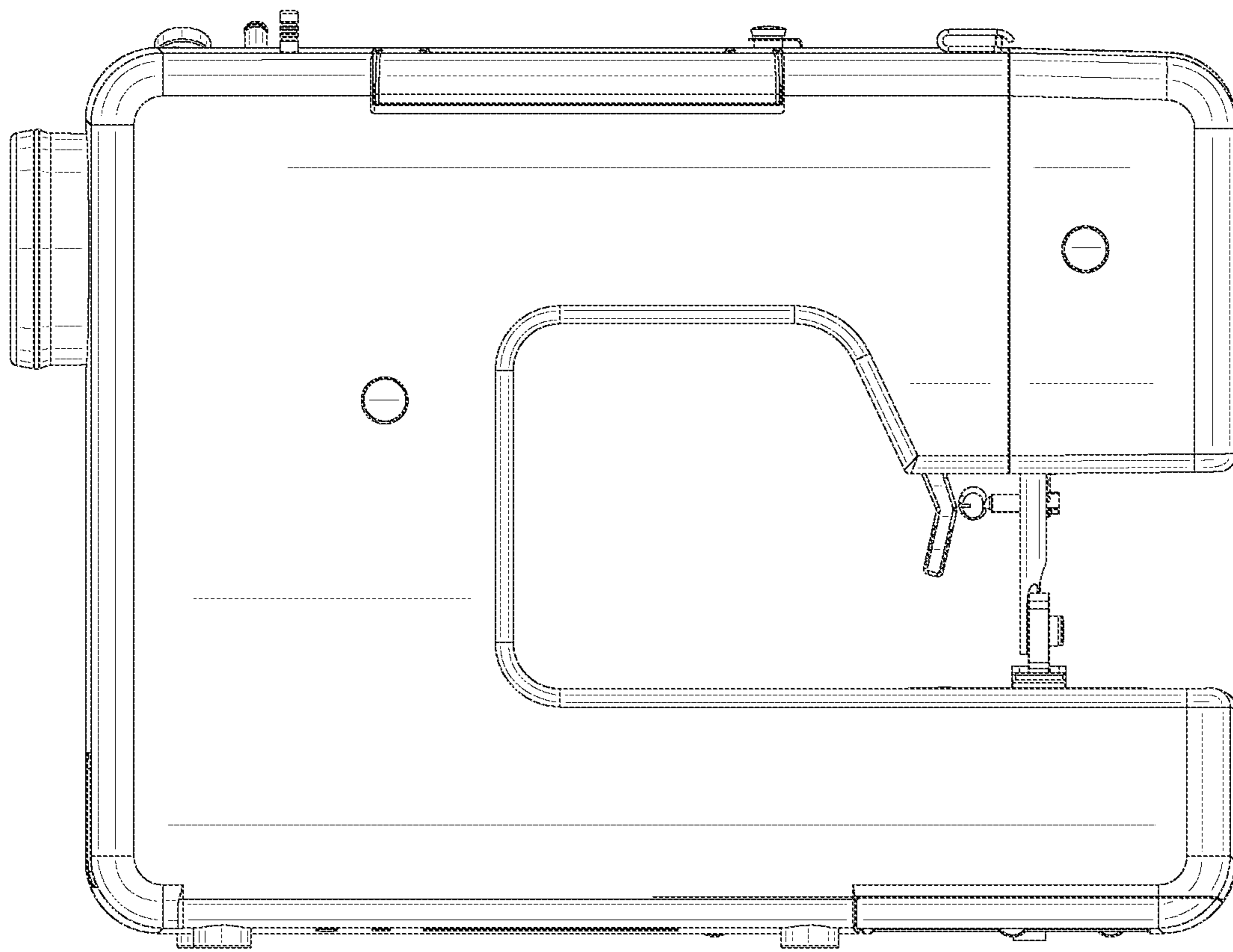


FIG. 5

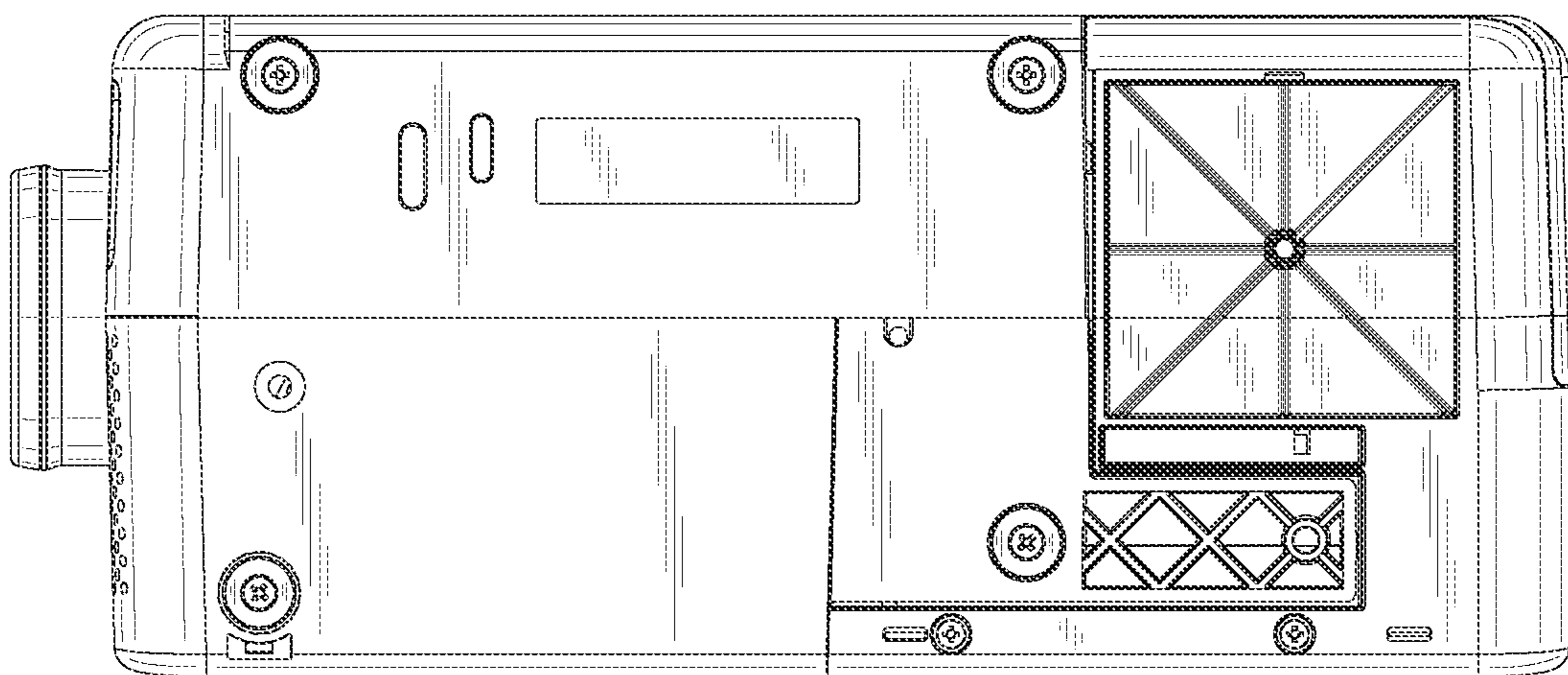


FIG. 6

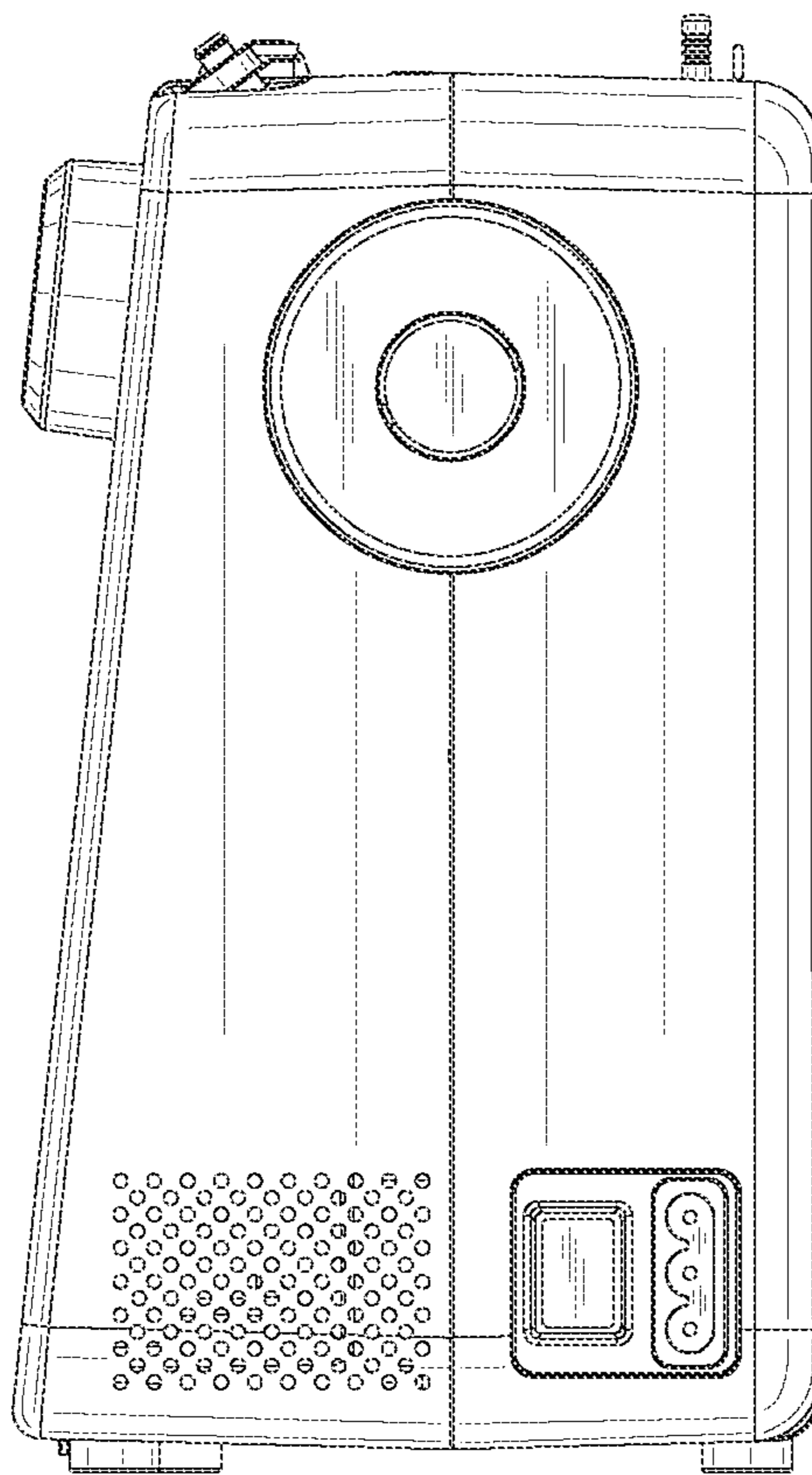


FIG. 7

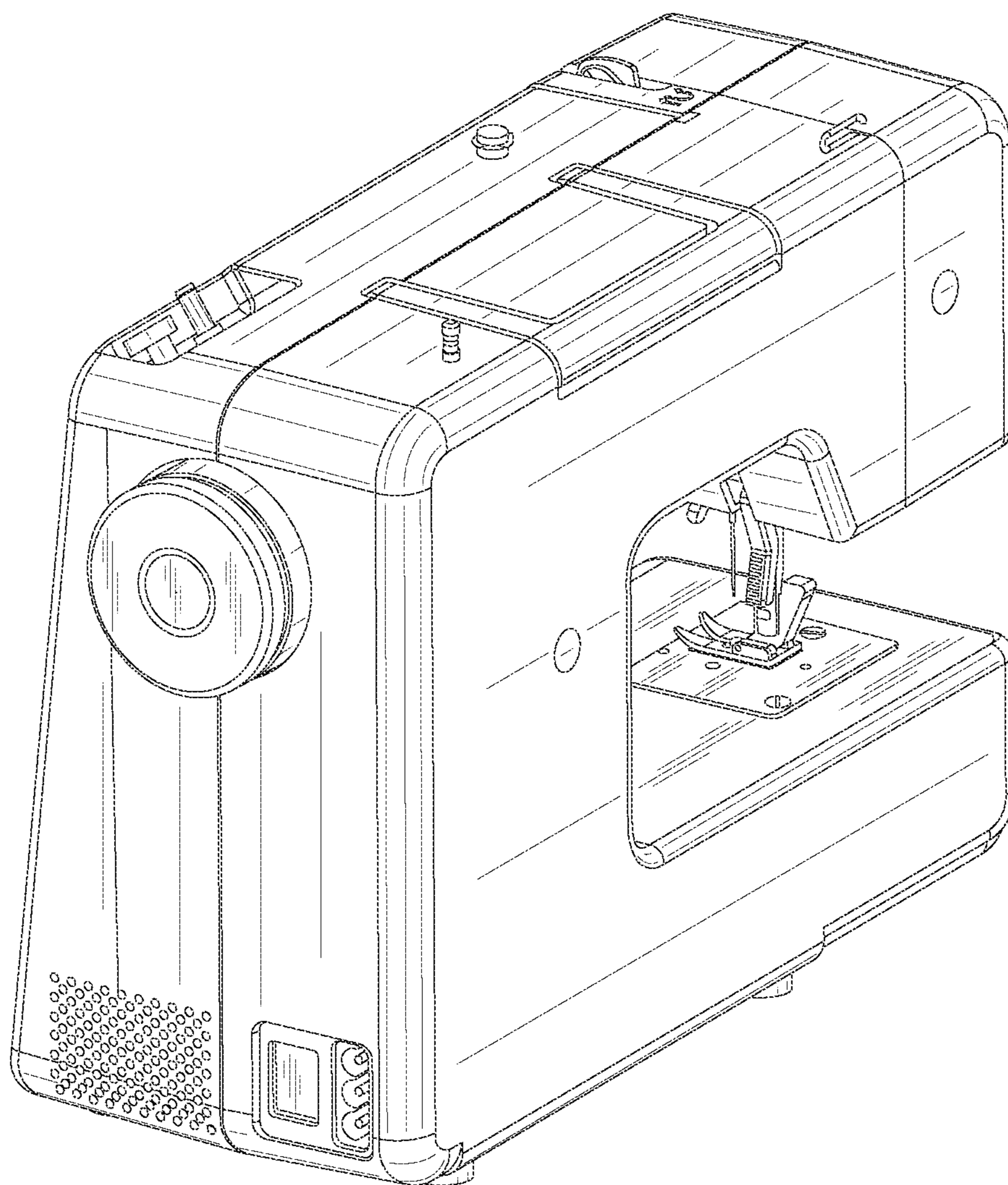


FIG. 8