



US00D696303S

(12) **United States Design Patent**
Kanai

(10) **Patent No.:** **US D696,303 S**

(45) **Date of Patent:** **** Dec. 24, 2013**

(54) **SEWING MACHINE**

(75) **Inventor:** **Takashi Kanai**, Tokyo (JP)

(73) **Assignee:** **Janome Sewing Machine Company Limited**, Hachioji-shi, Tokyo (JP)

(**) **Term:** **14 Years**

(21) **Appl. No.:** **29/424,933**

(22) **Filed:** **Jun. 18, 2012**

(51) **LOC (9) Cl.** **15-06**

(52) **U.S. Cl.**
USPC **D15/69**

(58) **Field of Classification Search**
USPC D15/66-78; 112/63, 258-261,
112/217.1-217.4, 78, 15, 4; 312/244
See application file for complete search history.

(56) **References Cited**

U.S. PATENT DOCUMENTS

2,958,304	A *	11/1960	Arbib	112/217.1
3,552,340	A *	1/1971	Fresard	112/217.1
3,561,383	A *	2/1971	Fresard	112/217.1
3,570,430	A *	3/1971	Fresard	112/258
3,570,431	A *	3/1971	Fresard	112/258
3,570,432	A *	3/1971	Fresard	112/258
3,646,900	A *	3/1972	Fresard	112/258

3,751,130	A *	8/1973	Fresard	312/244
3,781,075	A *	12/1973	Fresard	312/244
3,857,348	A *	12/1974	Robert-Nicoud	112/258
4,127,077	A *	11/1978	Fresard	112/258
D490,824	S *	6/2004	Egami	D15/69
D648,758	S *	11/2011	Muto	D15/69

* cited by examiner

Primary Examiner — Mitchell Siegel

(74) *Attorney, Agent, or Firm* — Westerman, Hattori, Daniels & Adrian, LLP

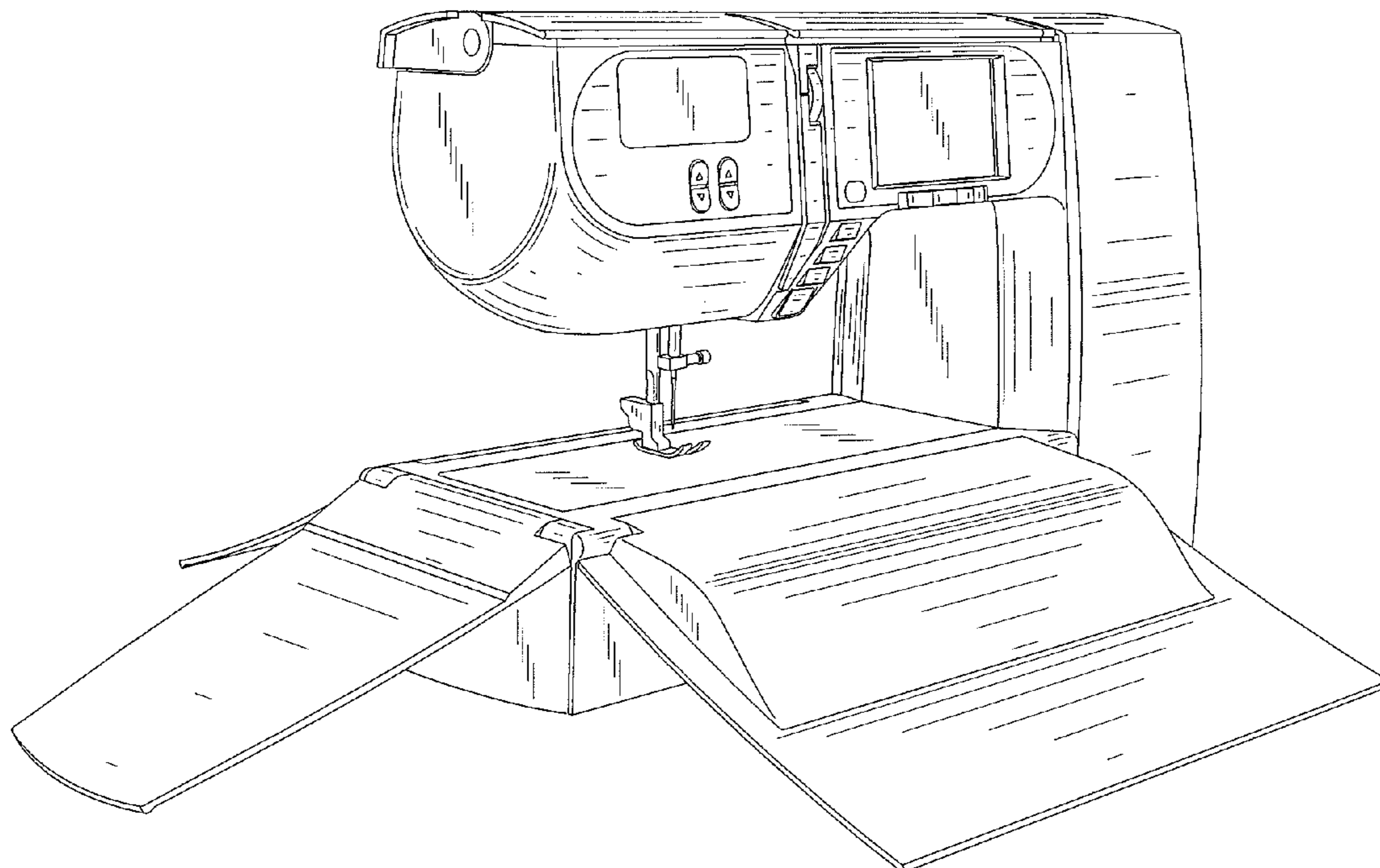
(57) **CLAIM**

The ornamental design for a sewing machine, as shown and described.

DESCRIPTION

FIG. 1 is a front perspective view showing my new design for a sewing machine,
FIG. 2 is a front view thereof,
FIG. 3 is a rear view thereof,
FIG. 4 is a left side view thereof,
FIG. 5 is a right side view thereof,
FIG. 6 is a top view thereof,
FIG. 7 is a bottom view thereof; and,
FIG. 8 is a perspective view thereof, with the three side flaps shown in an alternate position.

1 Claim, 8 Drawing Sheets



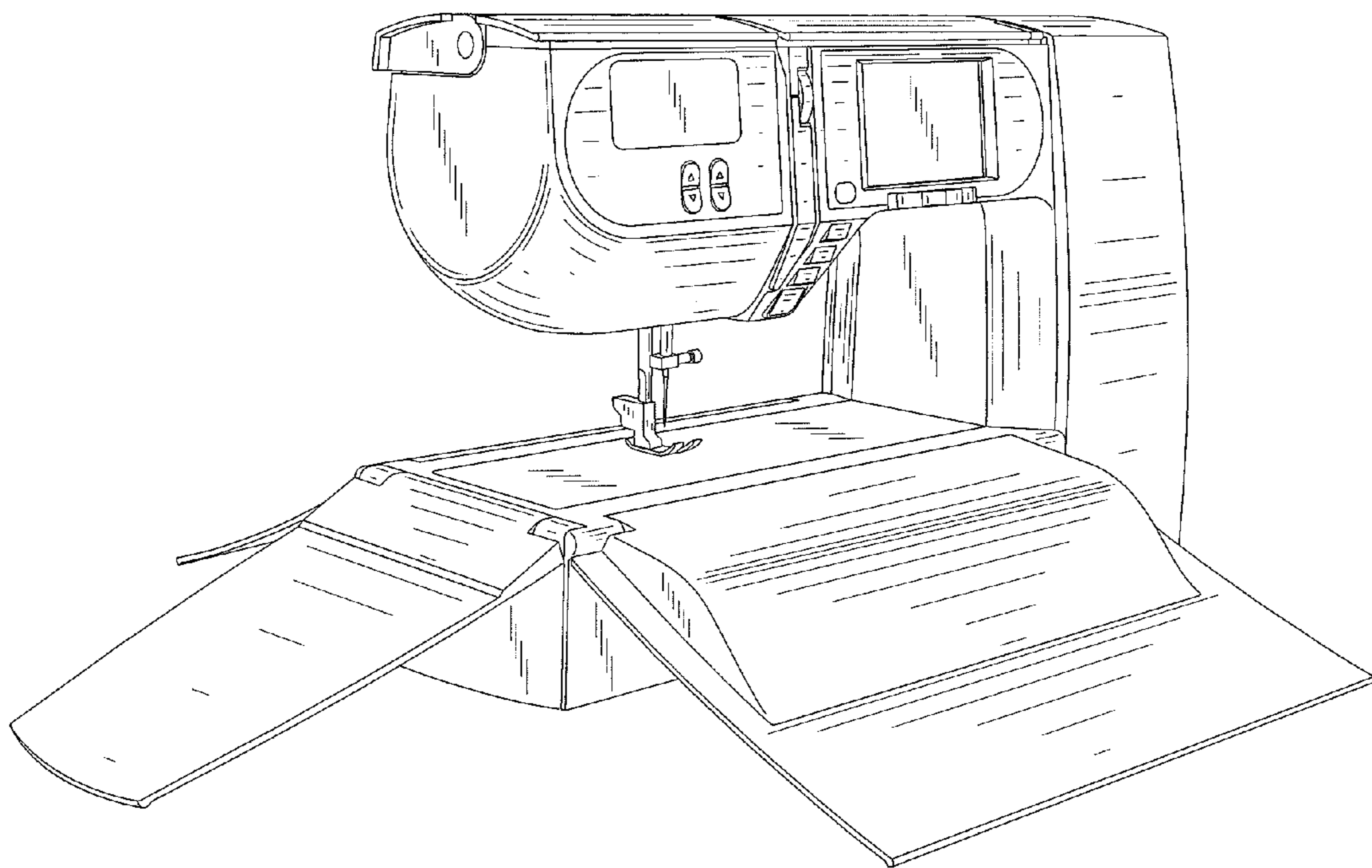


FIG. 1

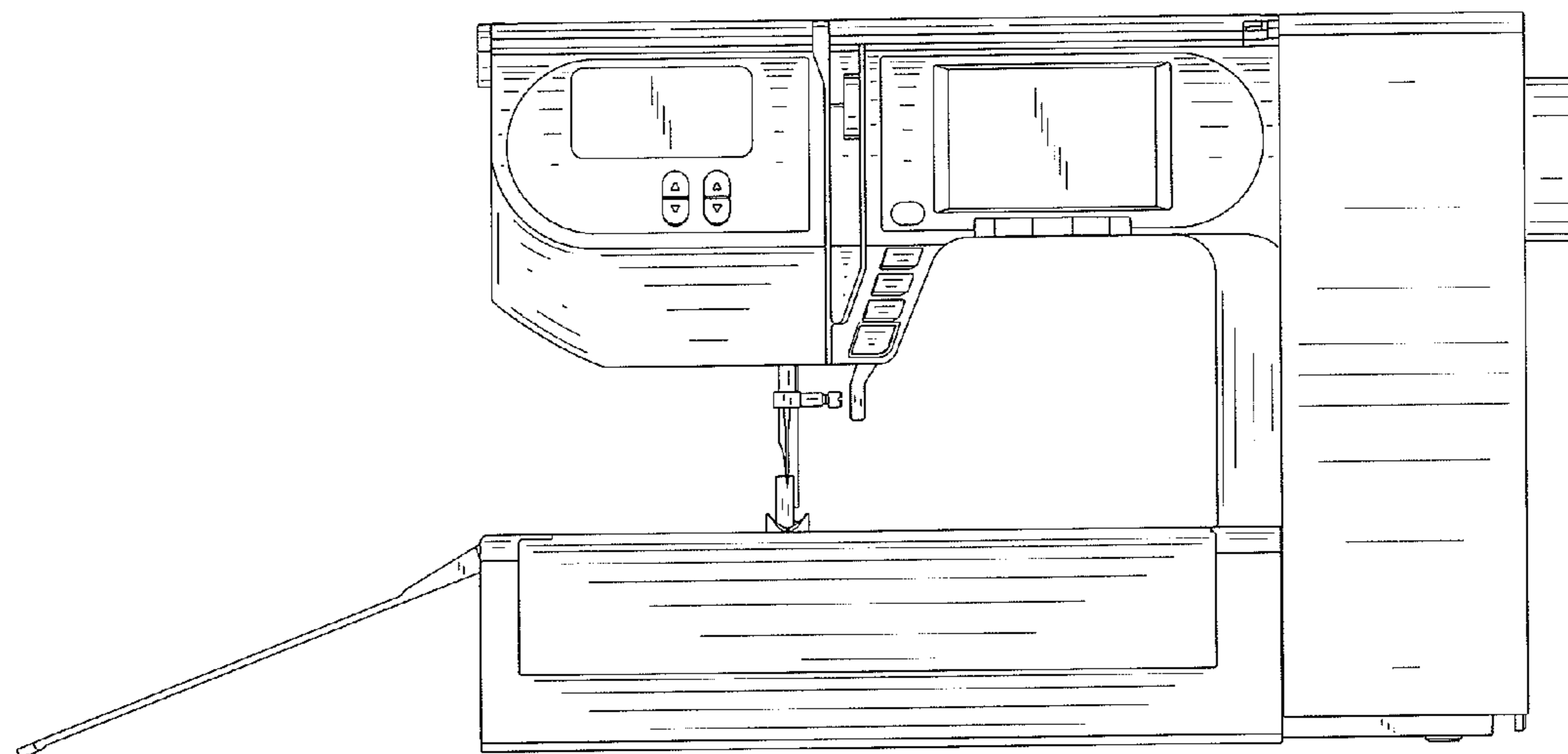


FIG. 2

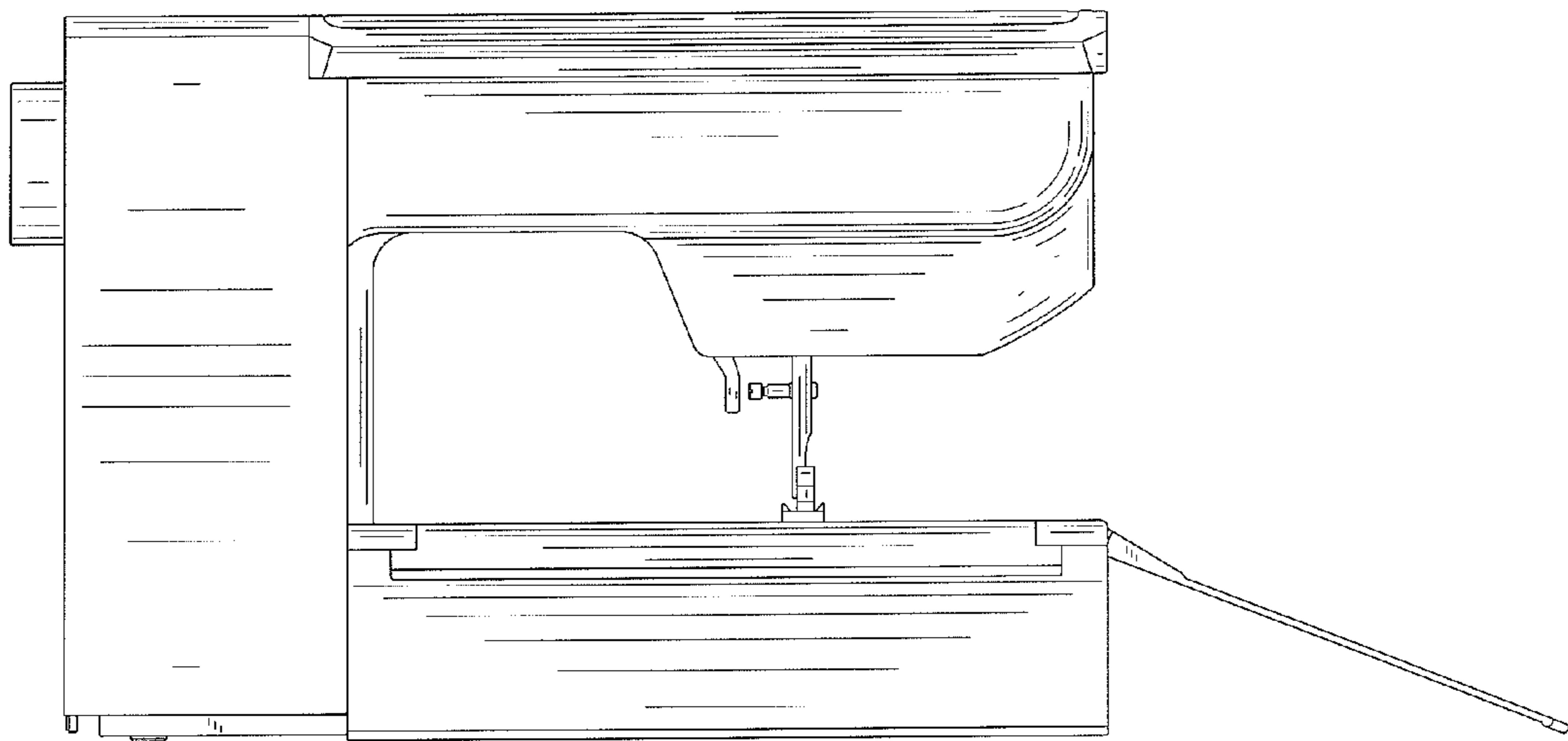


FIG. 3

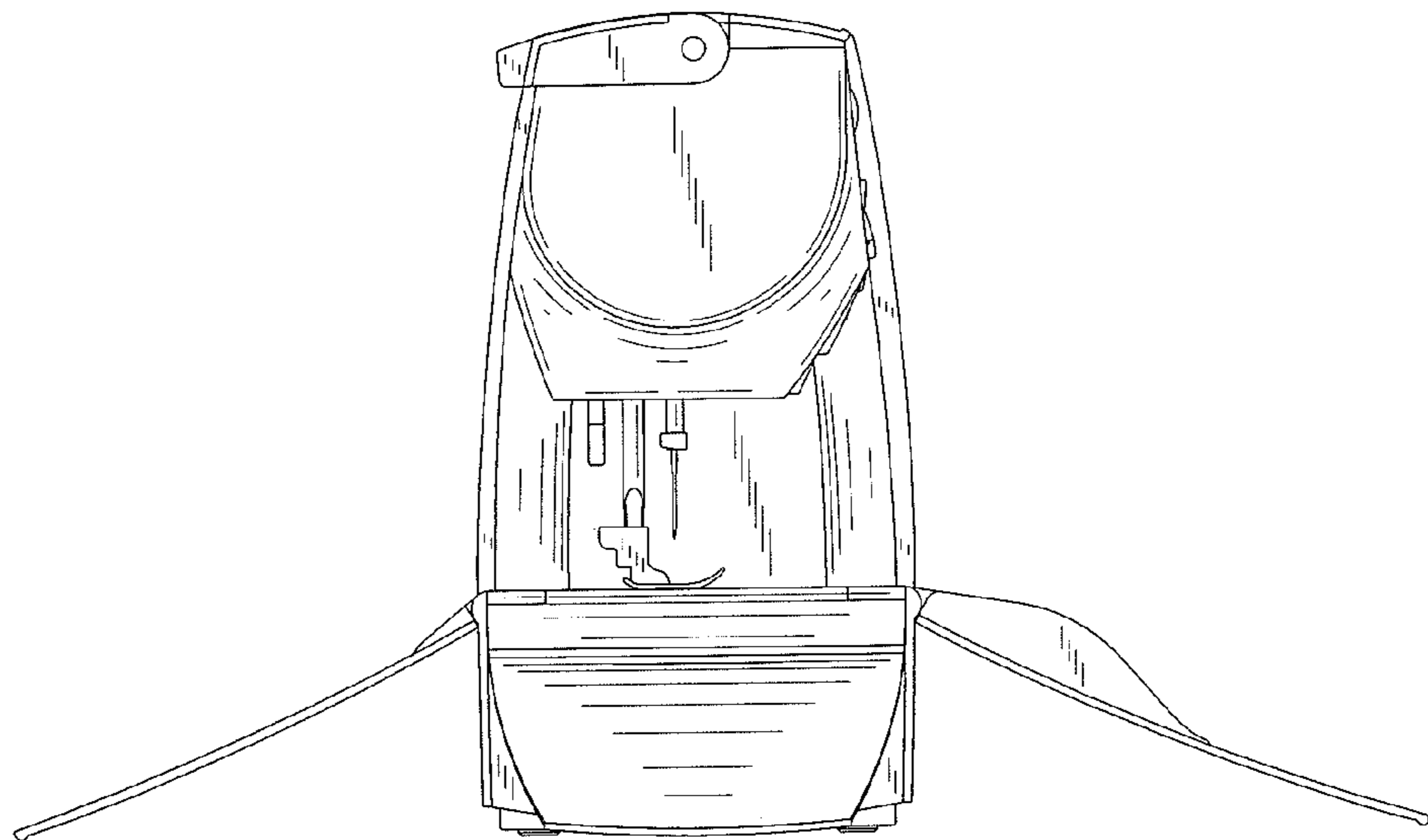


FIG. 4

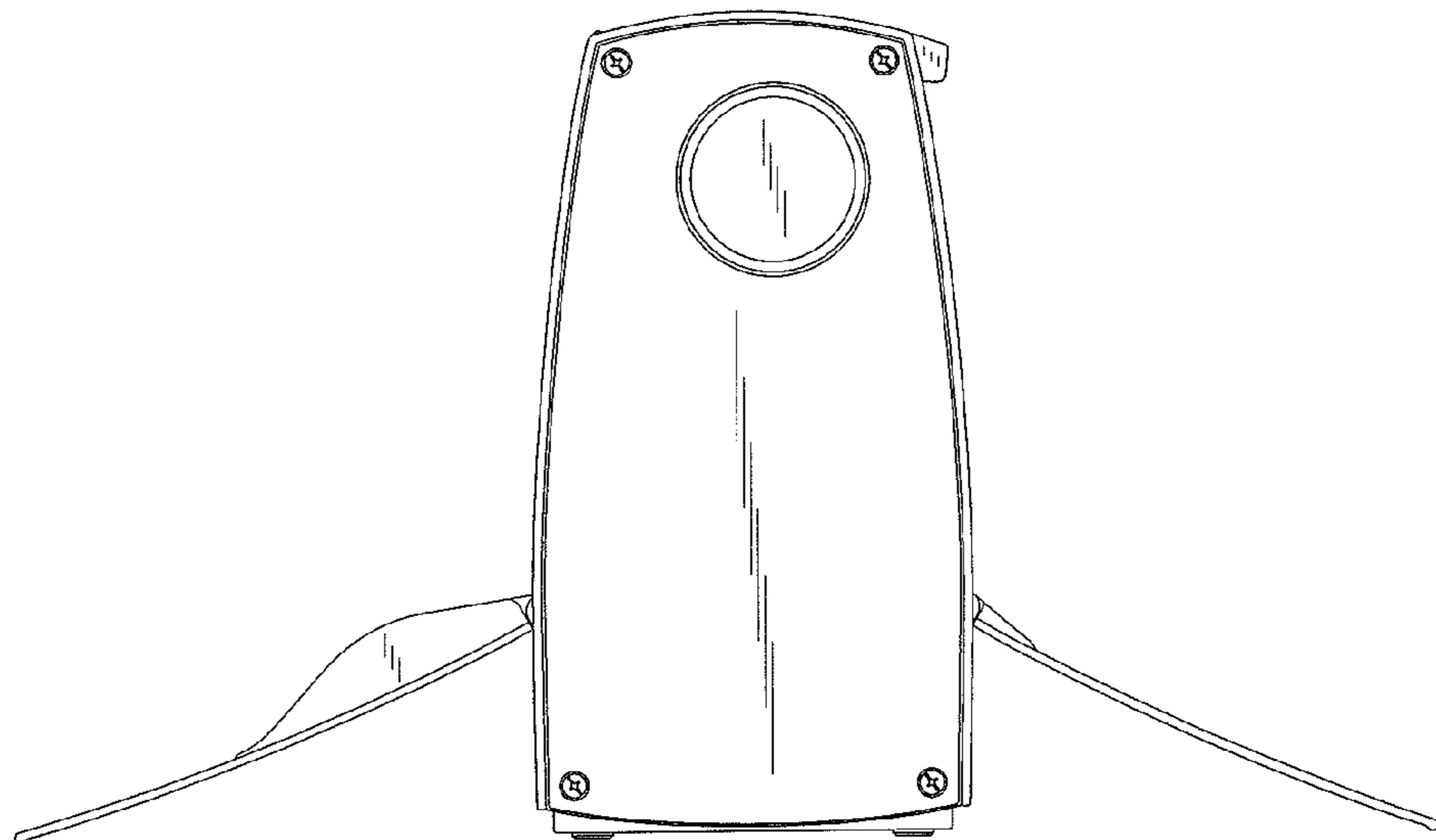


FIG. 5

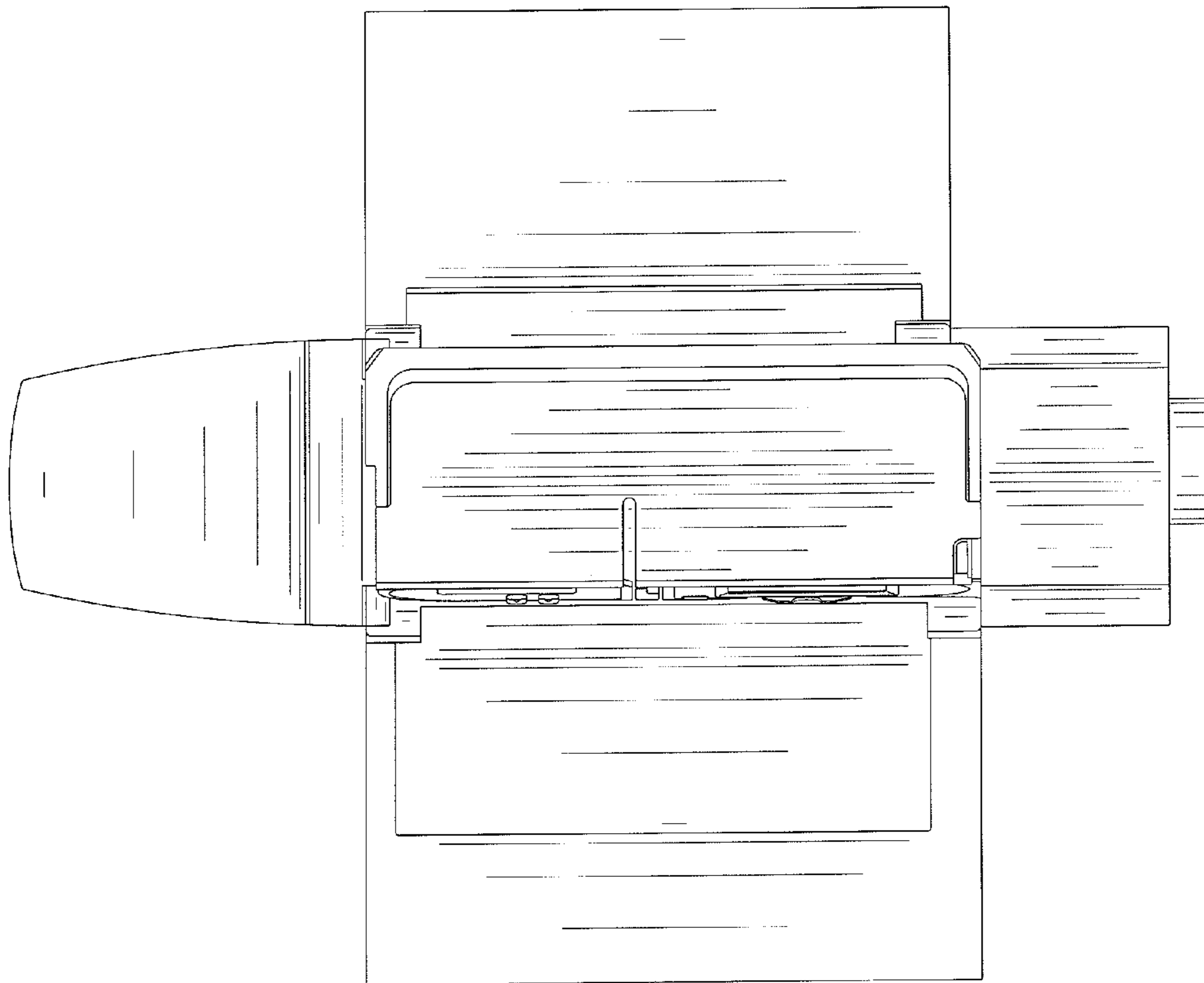


FIG. 6

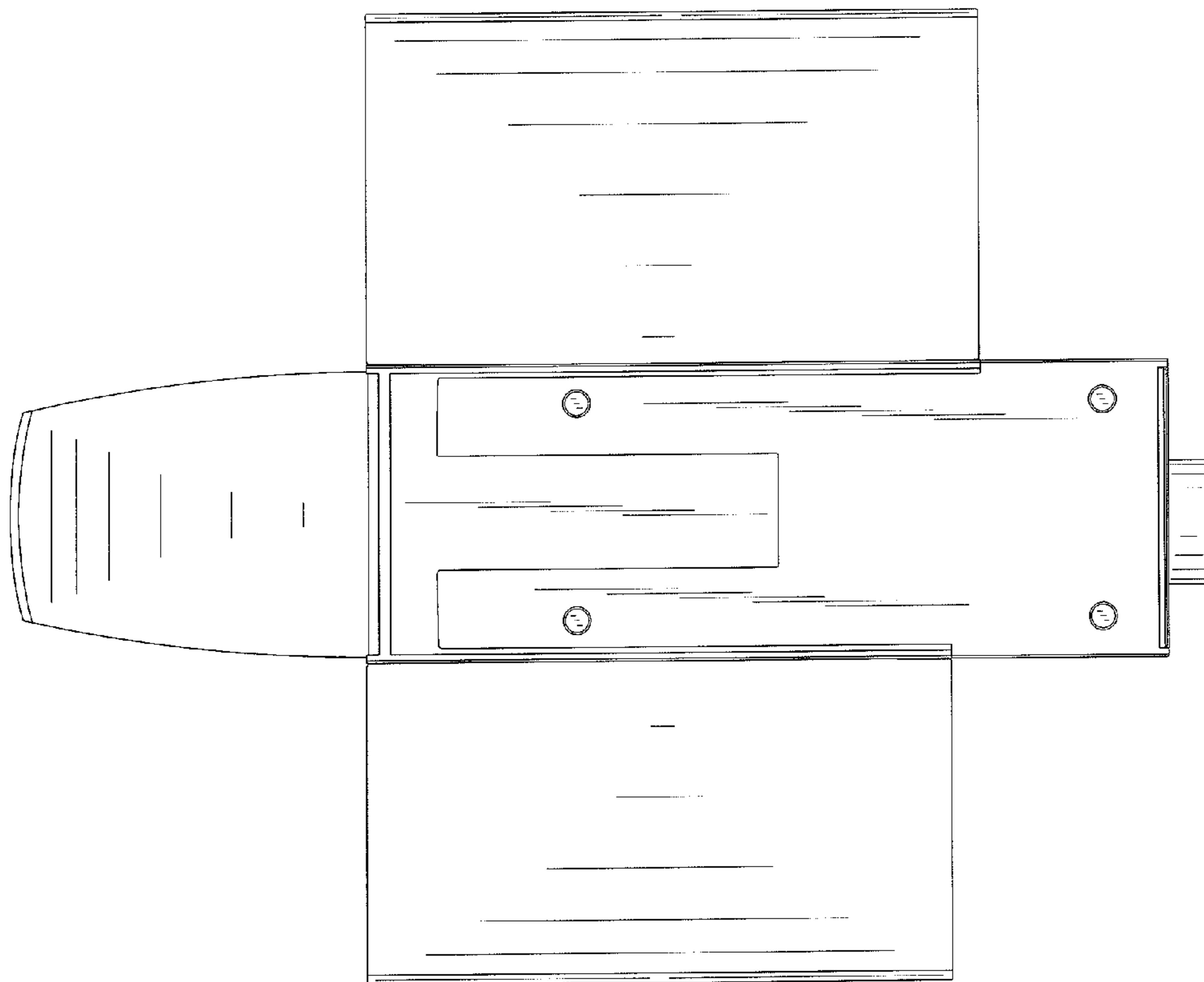


FIG. 7

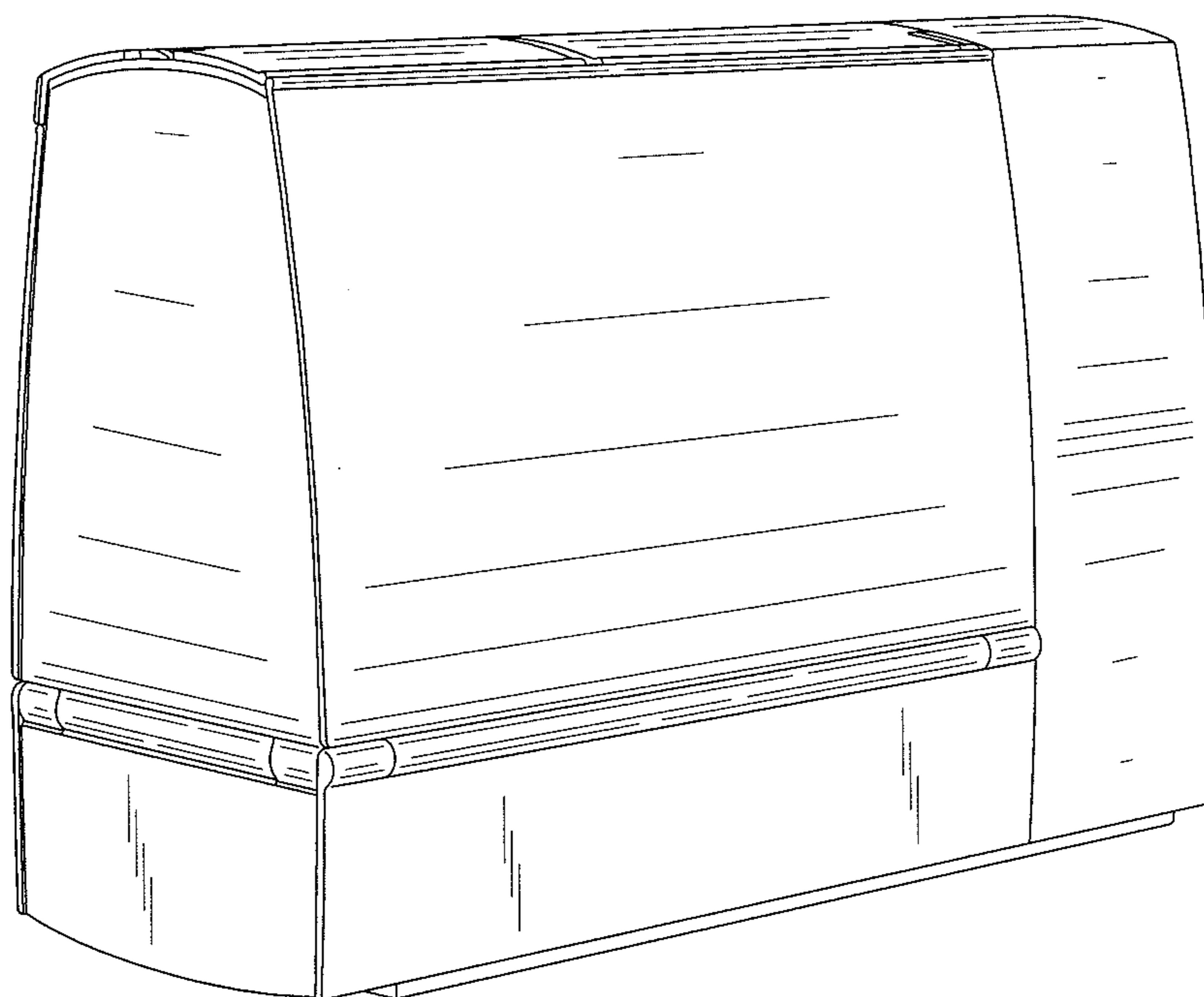


FIG. 8