



US00D696301S

(12) **United States Design Patent**
DeLeon et al.

(10) **Patent No.:** **US D696,301 S**

(45) **Date of Patent:** **** Dec. 24, 2013**

(54) **DE-THATCHING, MULCHING AND GRASS CUTTING LAWN MOWER BLADE**

(71) Applicants: **John Charles DeLeon**, Arlington Hts, IL (US); **Ronald Anothony Mielzynski**, Fox River Grove, IL (US)

(72) Inventors: **John Charles DeLeon**, Arlington Hts, IL (US); **Ronald Anothony Mielzynski**, Fox River Grove, IL (US)

(**) Term: **14 Years**

(21) Appl. No.: **29/442,142**

(22) Filed: **Dec. 19, 2012**

(51) **LOC (9) Cl.** **15-03**

(52) **U.S. Cl.**
USPC **D15/17**

(58) **Field of Classification Search**
USPC D15/14, 17, 28; 56/289, 13.4, 295, 255, 56/17.5, DIG. 19, DIG. 20; 30/276, 357, 30/347, 295, 255, 289, 13.4, 17.5, 390
See application file for complete search history.

(56) **References Cited**

U.S. PATENT DOCUMENTS

3,589,112	A	*	6/1971	Frohman	56/17.5
3,964,243	A	*	6/1976	Knipe	56/17.5
4,409,781	A	*	10/1983	Blackstone	56/295
4,610,129	A	*	9/1986	Bolger et al.	56/17.5
D289,524	S	*	4/1987	Andersson et al.	D15/17
4,995,228	A	*	2/1991	Hladik, Jr.	56/255
5,069,025	A	*	12/1991	Iversen	56/295
5,327,710	A	*	7/1994	Plamper et al.	56/255
D357,691	S	*	4/1995	Bryant	D15/17

D441,769	S	*	5/2001	Surridge	D15/17
D450,066	S	*	11/2001	Monesmith	D15/17
D482,700	S	*	11/2003	Lancaster	D15/17
D487,098	S	*	2/2004	Arfstrom et al.	D15/17
D535,666	S	*	1/2007	Nesco et al.	D15/17
D598,475	S	*	8/2009	Roth	D15/17
D622,740	S	*	8/2010	Roth et al.	D15/17
D649,981	S	*	12/2011	Roth et al.	D15/17

* cited by examiner

Primary Examiner — Mark Goodwin

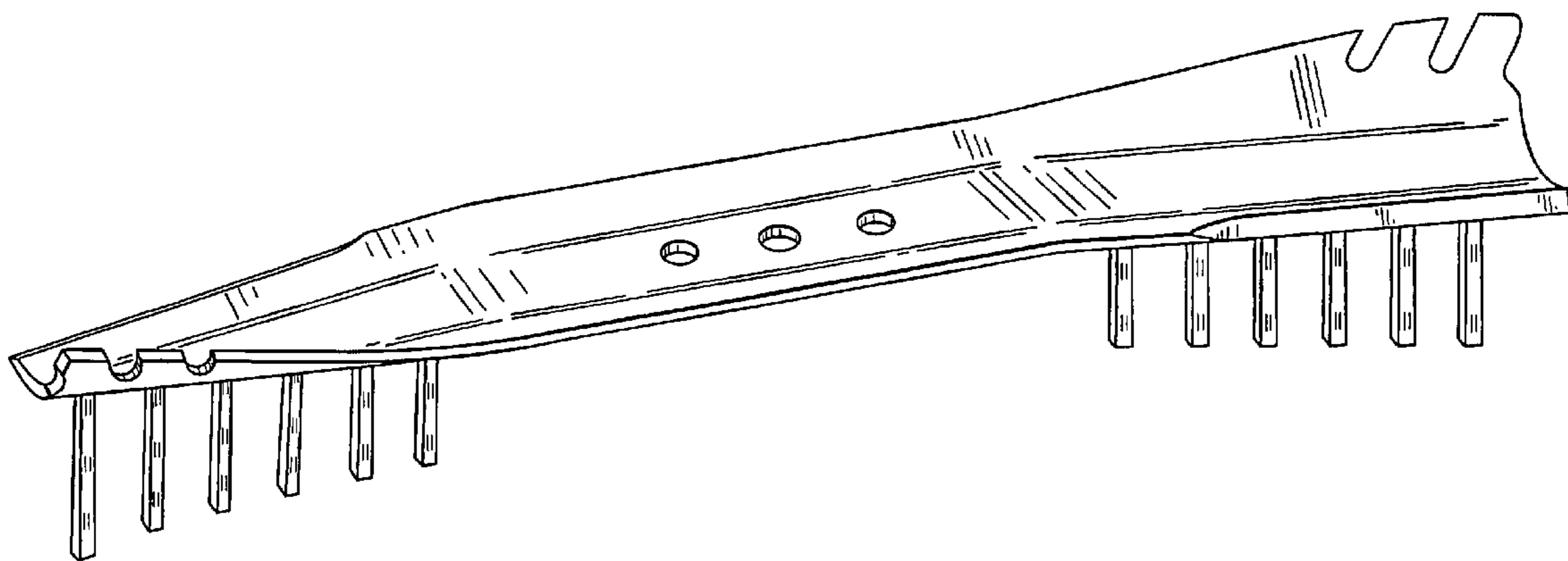
(57) **CLAIM**

The ornamental design for a de-thatching, mulching and grass cutting lawn mower blade, showing our new design.

DESCRIPTION

FIG. 1 is a top front perspective view of a de-thatching, mulching and grass cutting lawn mower blade showing our new design;
 FIG. 2 is a side view thereof;
 FIG. 3 is a top plan view thereof;
 FIG. 4 is a front perspective view thereof;
 FIG. 5 is a bottom plan view thereof;
 FIG. 6 is a reduced bottom perspective view thereof shown in use condition;
 FIG. 7 is a partial side perspective view shown in use condition taken along lines 7-7 in FIG. 6; and,
 FIG. 8 is another partial side perspective view shown in use condition taken along lines 7-7 in FIG. 6.
 The broken line showing of a lawnmower and grass in FIGS. 6, 7, and 8 is included for the purpose of illustrating environmental structure only and forms no part of the claimed design.

1 Claim, 4 Drawing Sheets



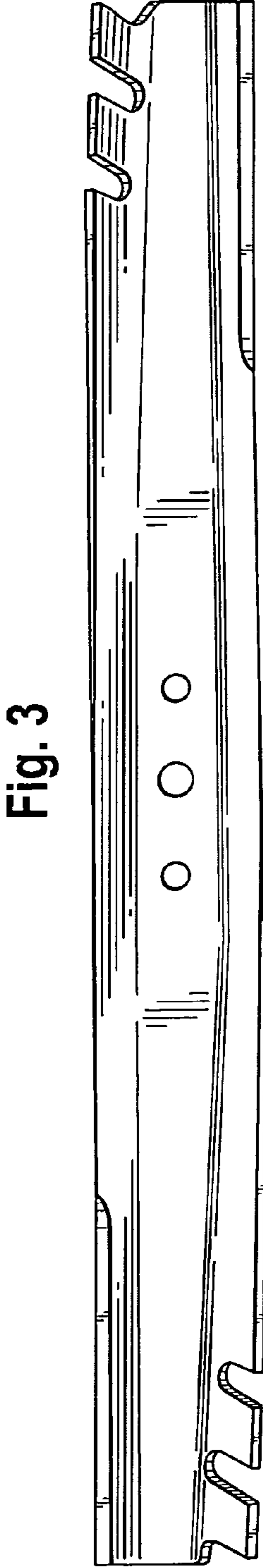
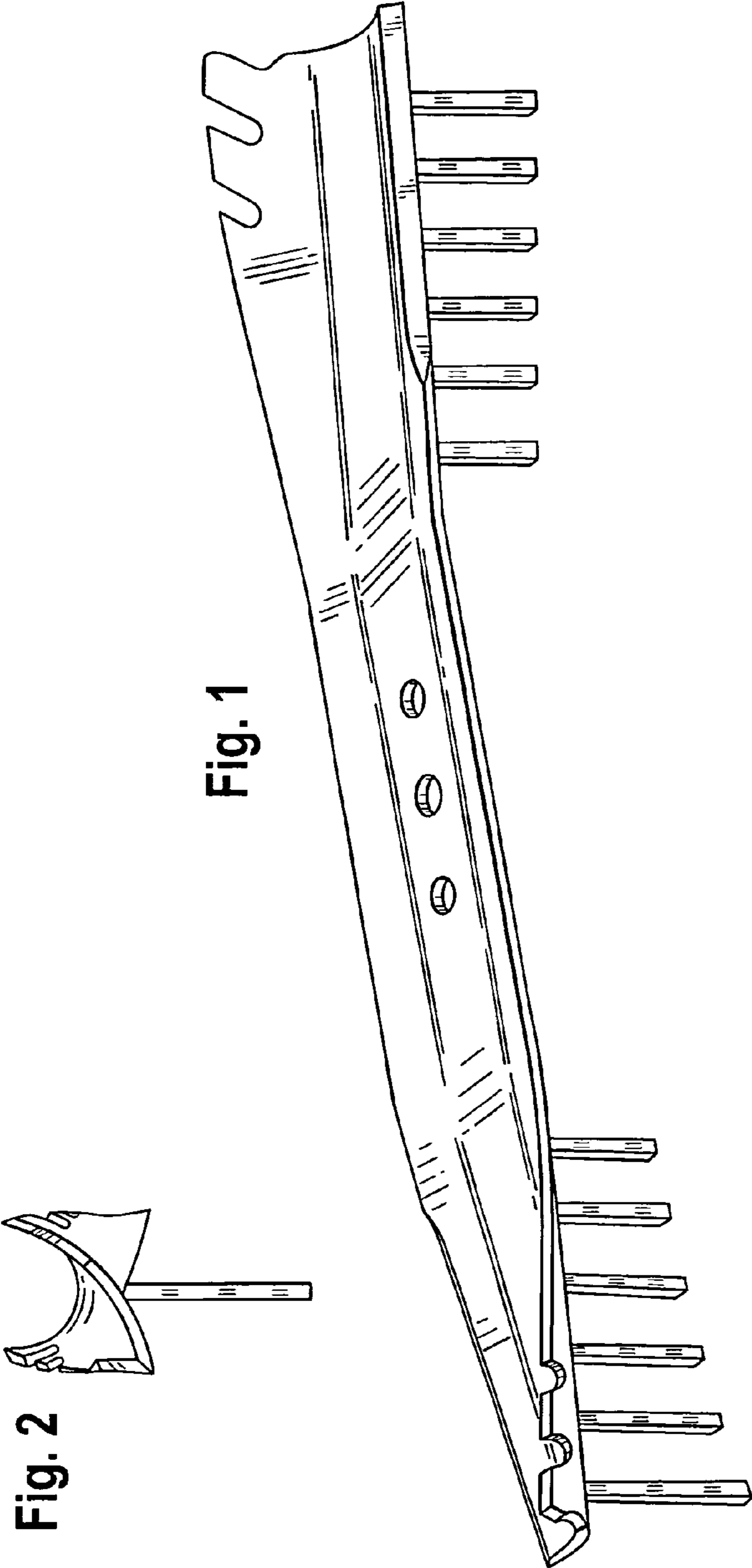


Fig. 4

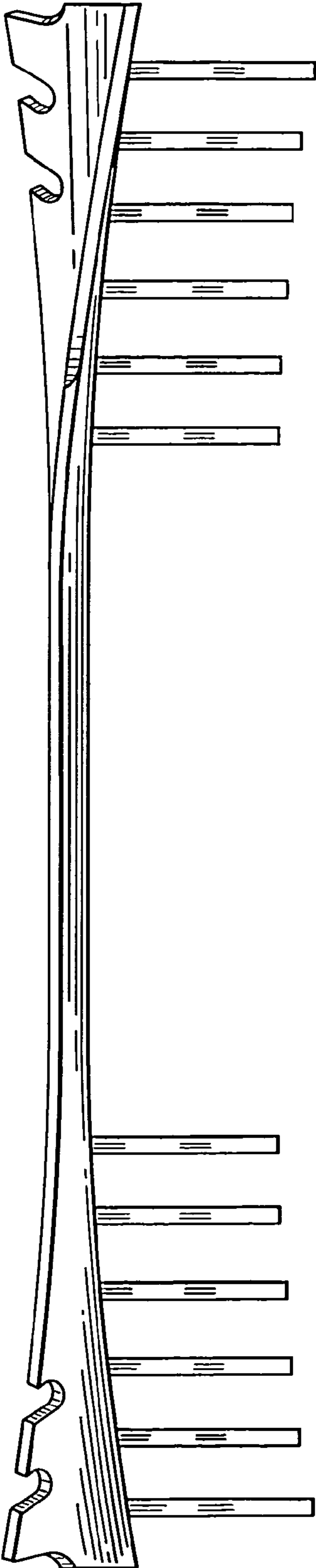
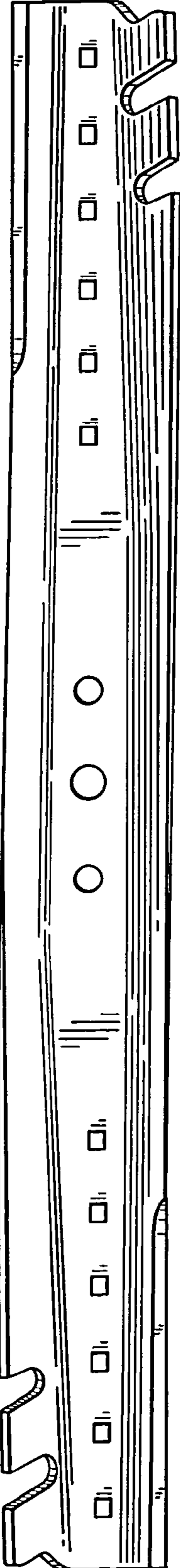


Fig. 5



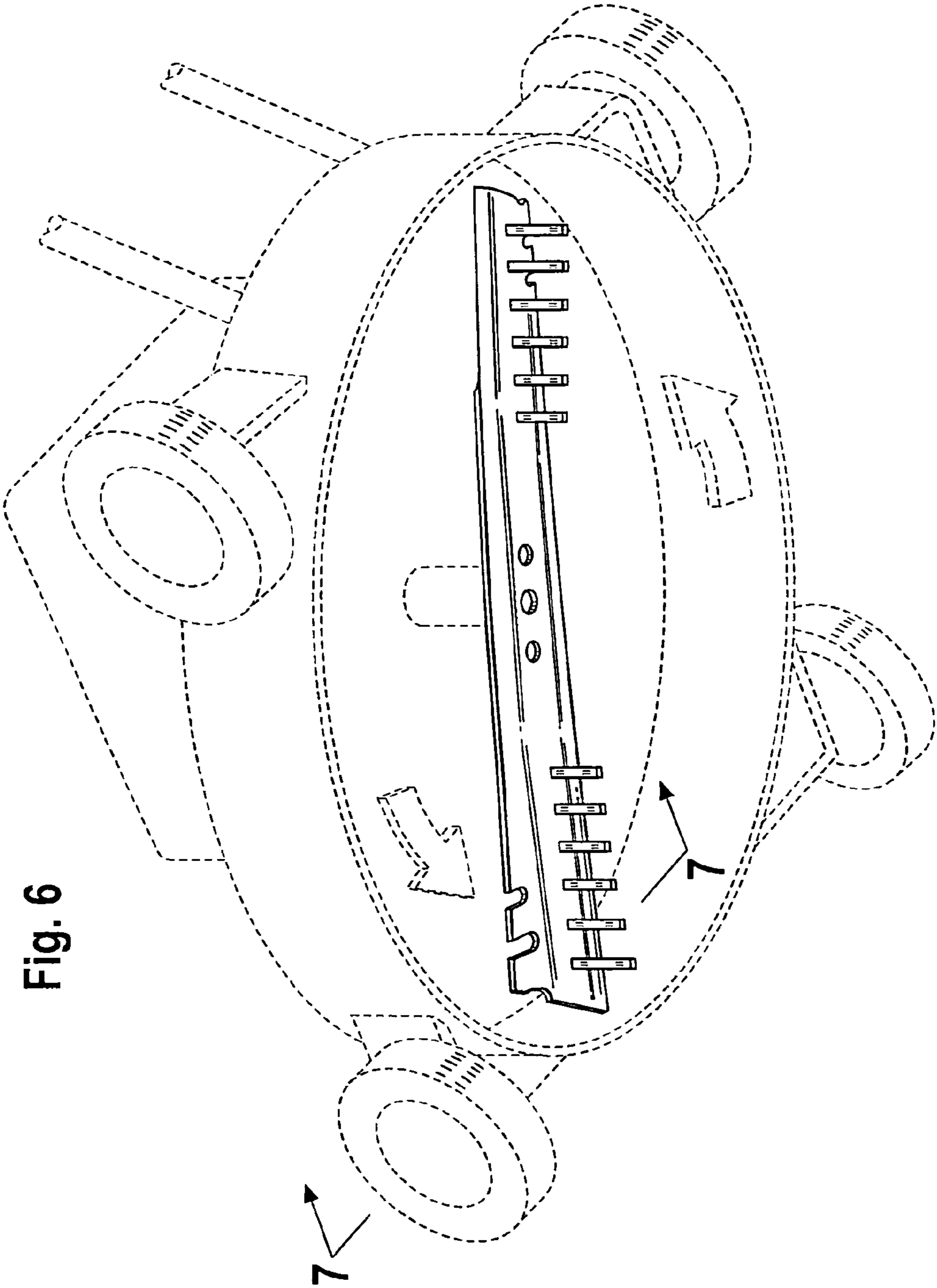


Fig. 6

Fig. 8

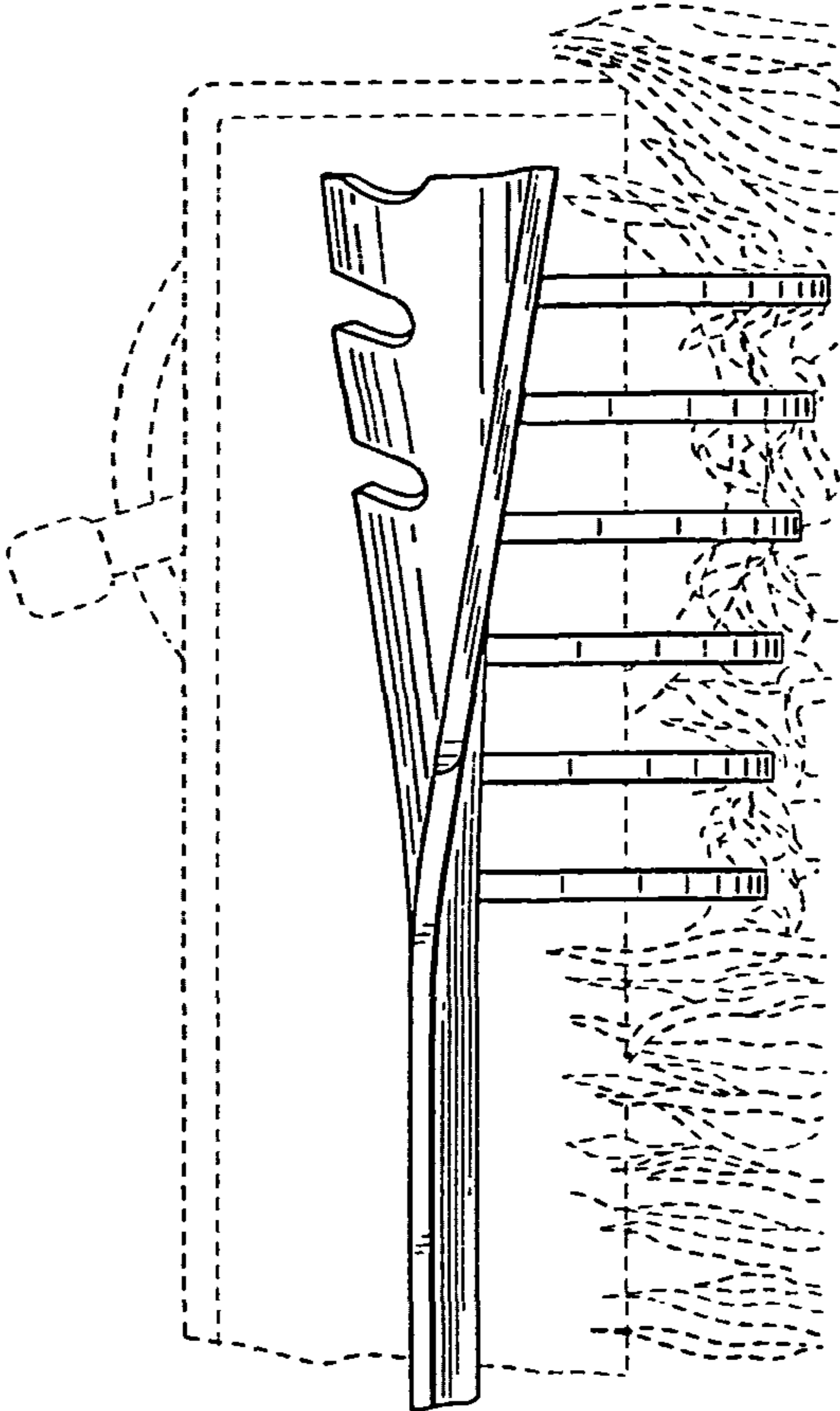


Fig. 7

