



US00D696300S

(12) **United States Design Patent**
Arotzarena et al.

(10) **Patent No.:** **US D696,300 S**

(45) **Date of Patent:** **** Dec. 24, 2013**

(54) **FUEL PUMP**

(71) Applicant: **Prestolite Performance LLC**,
Cleveland, OH (US)

(72) Inventors: **Jon Arotzarena**, Cleveland, OH (US);
Kimber Biniak, Cleveland, OH (US);
Brian Gao, Guangzhou (CN)

(73) Assignee: **Prestolite Performance LLC**,
Cleveland, OH (US)

(**) Term: **14 Years**

(21) Appl. No.: **29/450,769**

(22) Filed: **Mar. 22, 2013**

Related U.S. Application Data

(63) Continuation of application No. 29/418,903, filed on
Apr. 23, 2012, now Pat. No. Des. 680,134.

(51) **LOC (9) Cl.** **15-02**

(52) **U.S. Cl.**
USPC **D15/7**

(58) **Field of Classification Search**

USPC D15/7-9; D23/231, 232, 225; 417/60,
417/235, 265, 321, 355, 358, 363, 359,
417/410.1, 415-416, 405, 900, 43, 554;
60/408, 412; 184/26-37; 415/140-147;
123/495, 509; 166/105.1, 105.2, 311

See application file for complete search history.

(56) **References Cited**

U.S. PATENT DOCUMENTS

D329,651	S	*	9/1992	Kuwada et al.	D15/9.1
D333,475	S	*	2/1993	Kuwada et al.	D15/9.1
D524,327	S	*	7/2006	Weiss et al.	D15/7
D603,426	S	*	11/2009	Hauser et al.	D15/7
D629,423	S	*	12/2010	Varini	D15/7
D662,518	S	*	6/2012	Anderson	D15/9
D662,519	S	*	6/2012	Anderson	D15/9

* cited by examiner

Primary Examiner — Ralf Seifert

(74) *Attorney, Agent, or Firm* — Rader, Fishman & Grauer
PLLC

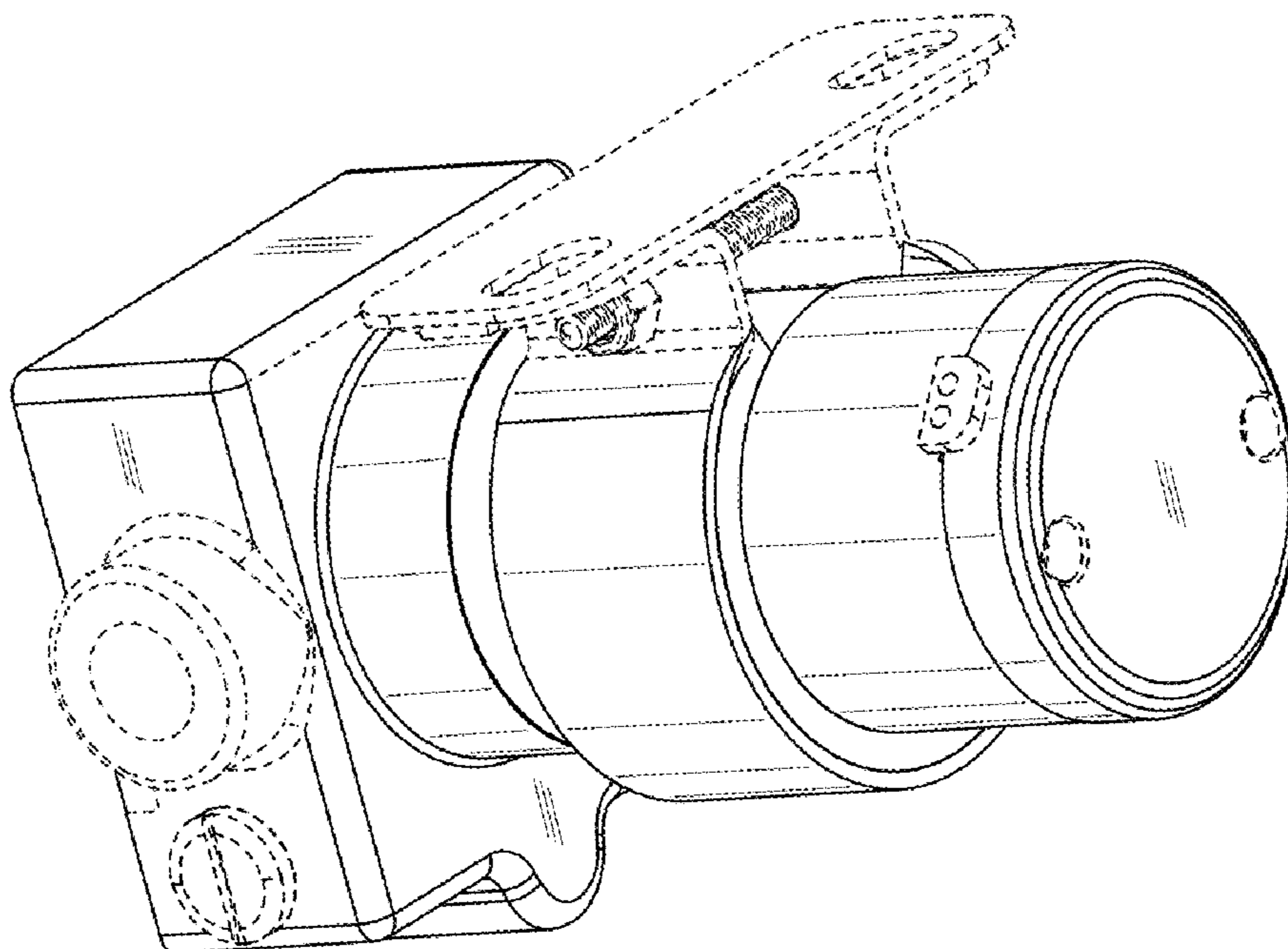
(57) **CLAIM**

The ornamental design for fuel pump, as shown and
described.

DESCRIPTION

FIG. 1 is a top perspective view of a fuel pump;
FIG. 2 is a bottom perspective view of a fuel pump;
FIG. 3 is a front right perspective view of a fuel pump;
FIG. 4 is a rear right perspective view of fuel pump;
FIG. 5 is a right view of a fuel pump;
FIG. 6 is a left view of a fuel pump;
FIG. 7 is a front view of a fuel pump;
FIG. 8 is a rear view of a fuel pump;
FIG. 9 is a top view of a fuel pump; and,
FIG. 10 is a bottom view of a fuel pump.
Portions of FIGS. 1-10 that are shown as broken lines are for
illustrative purpose only and form no part of the claimed
design.

1 Claim, 5 Drawing Sheets



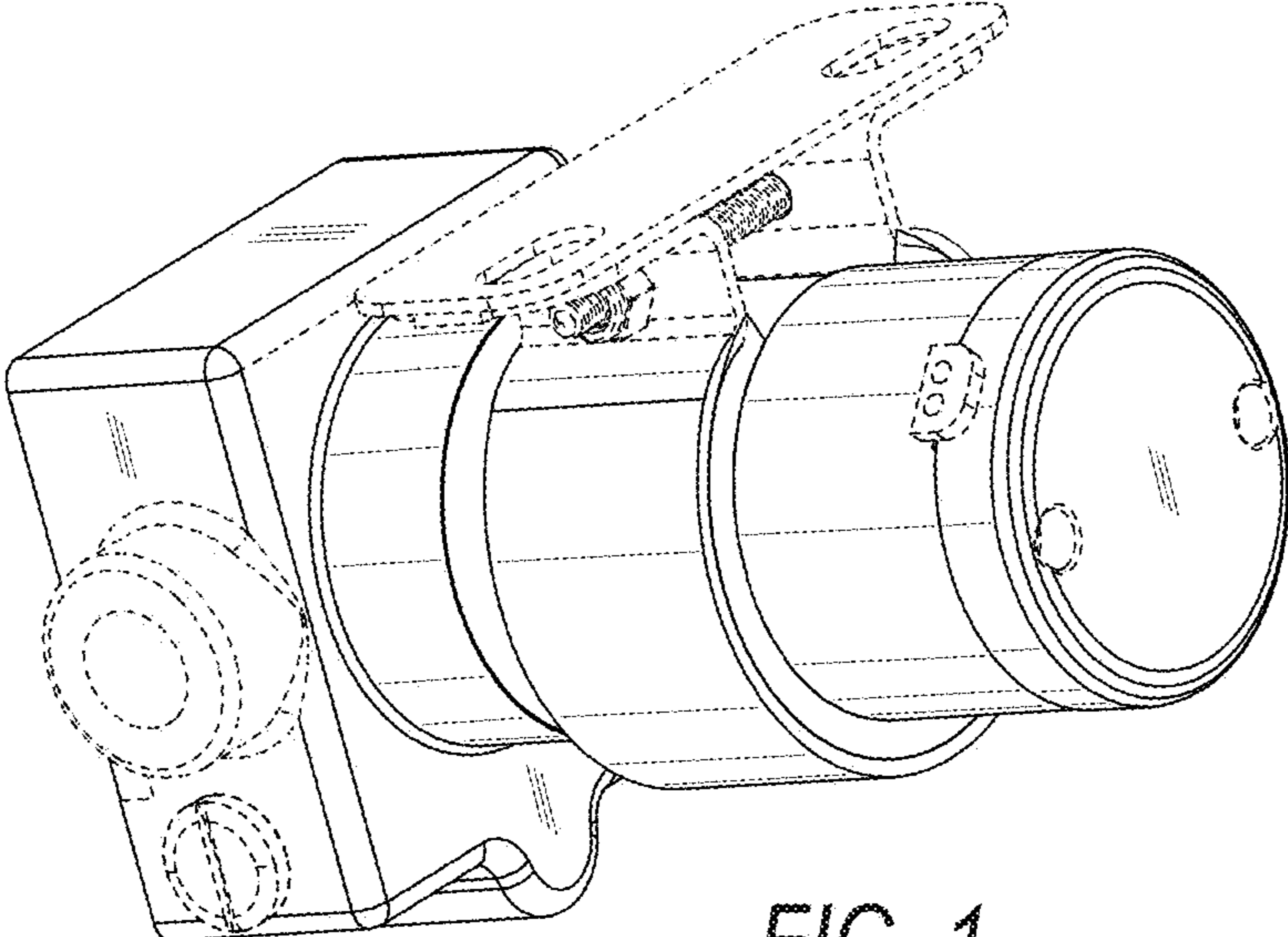


FIG. 1

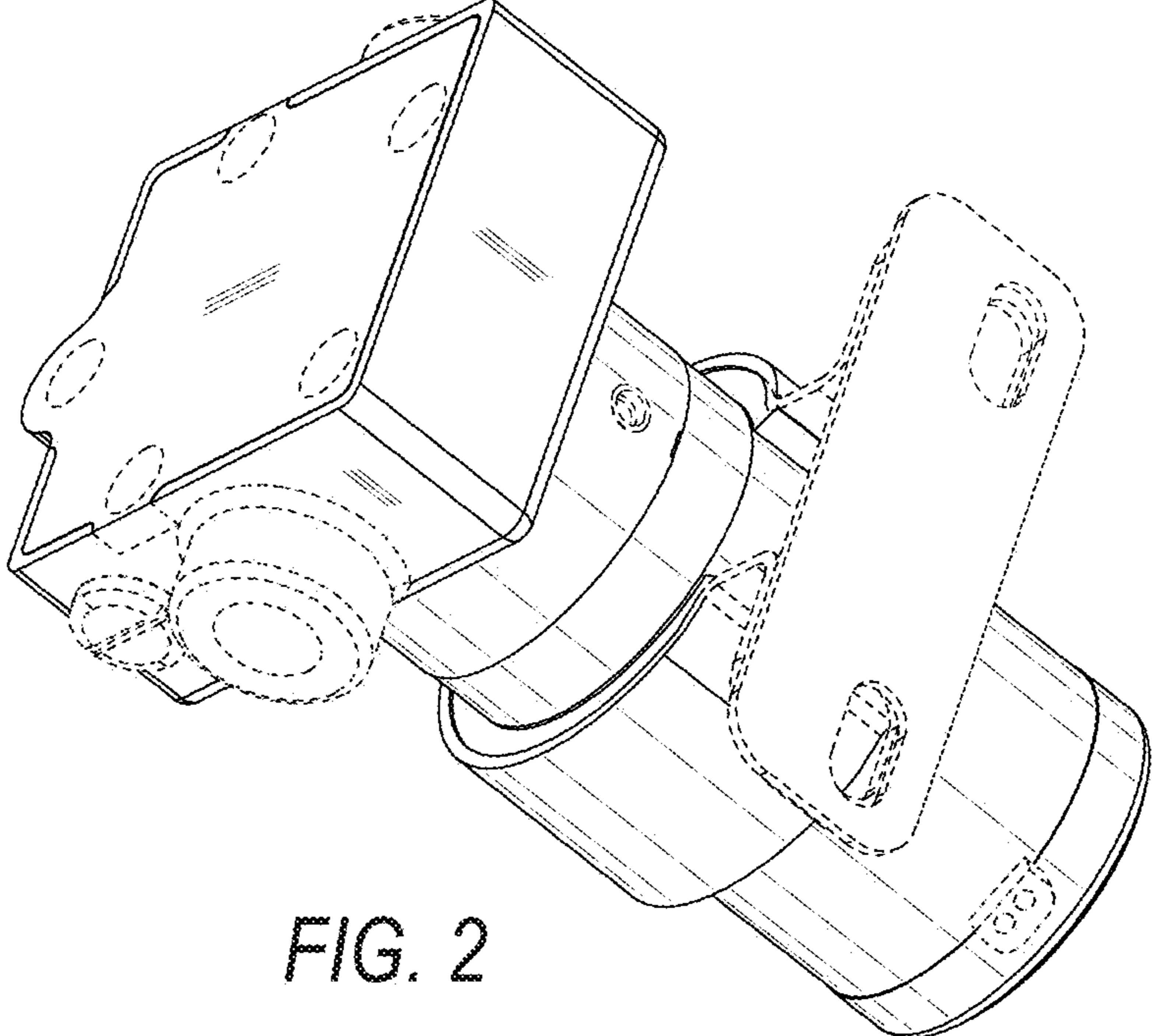


FIG. 2

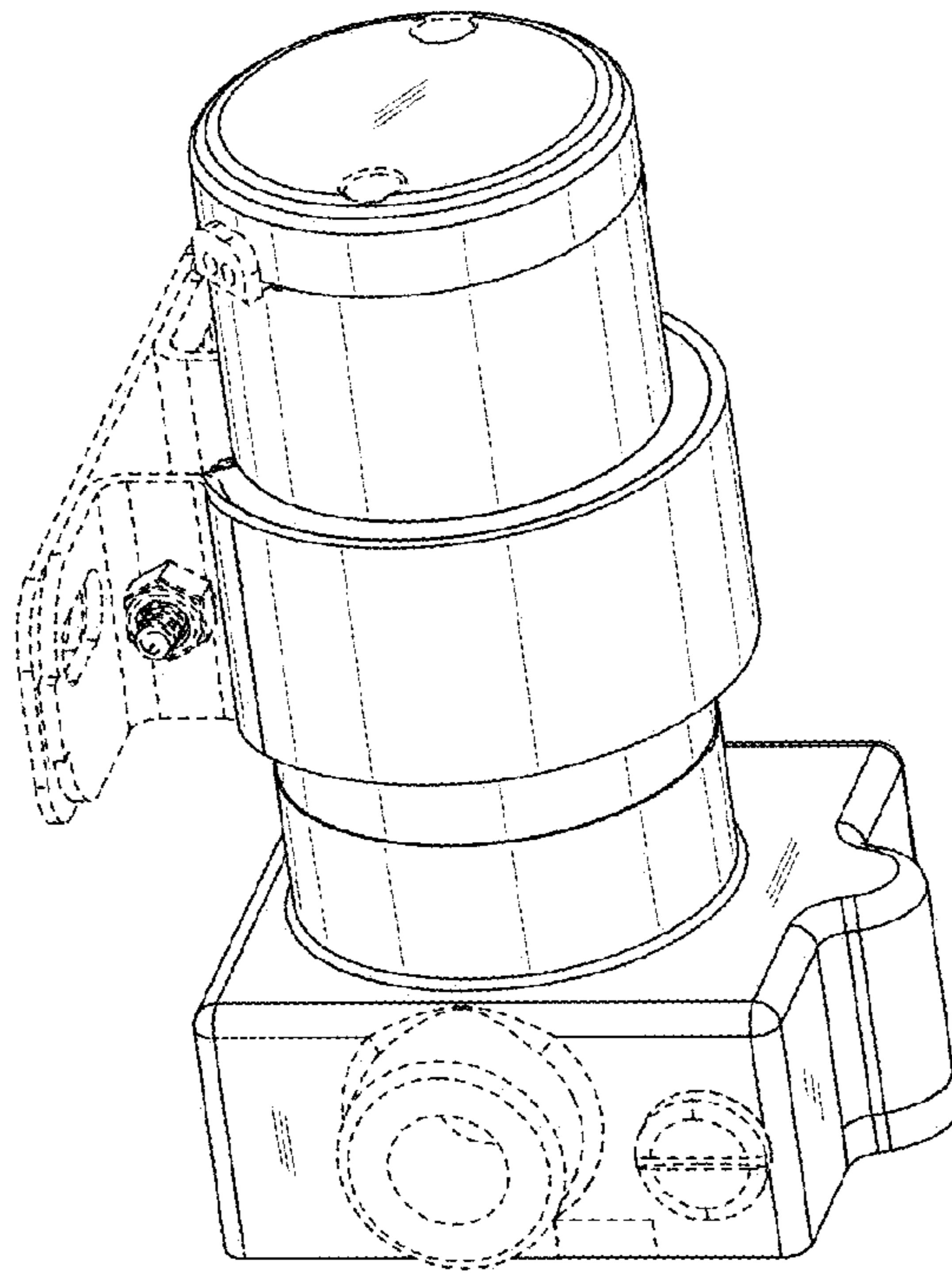


FIG. 3

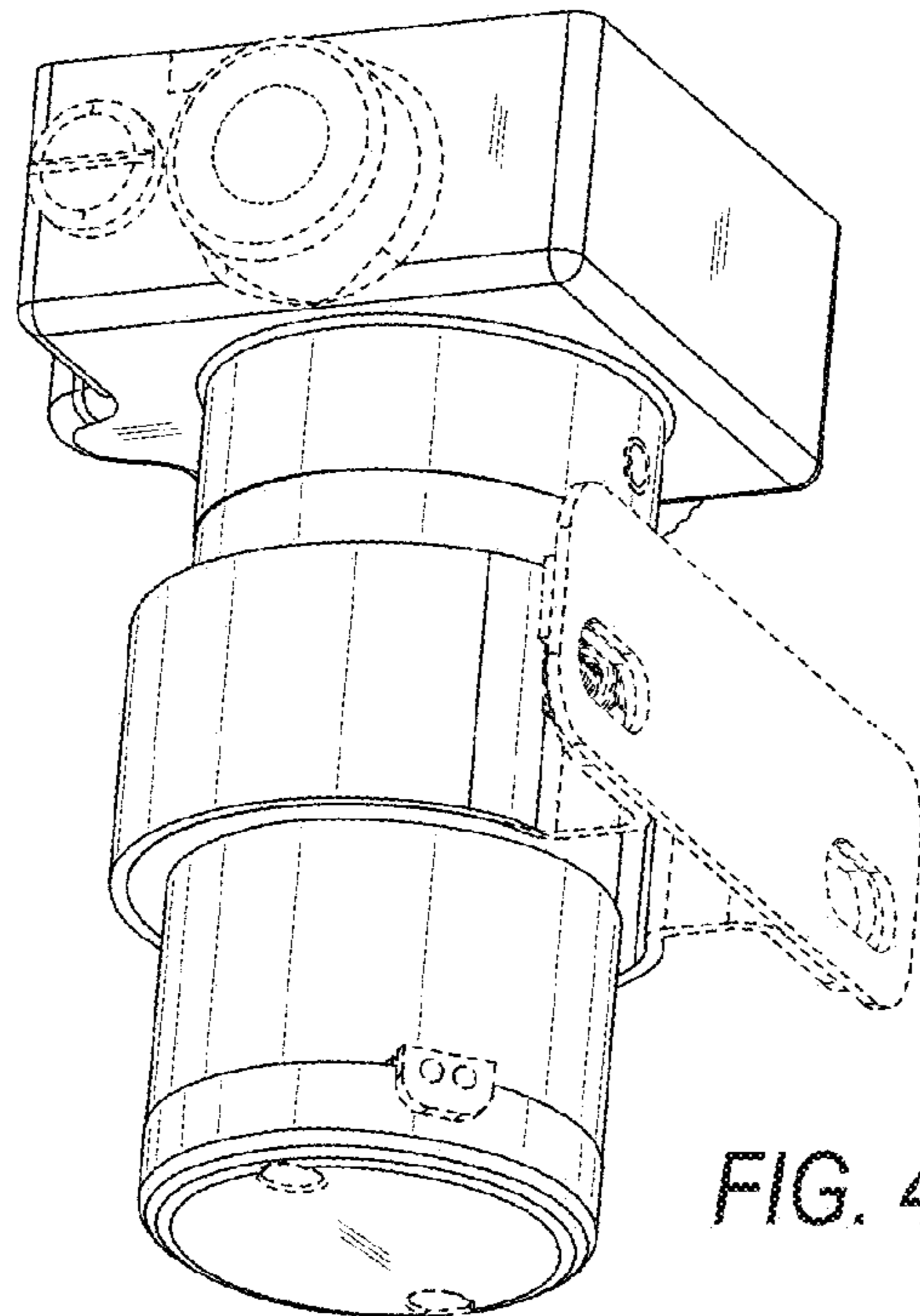


FIG. 4

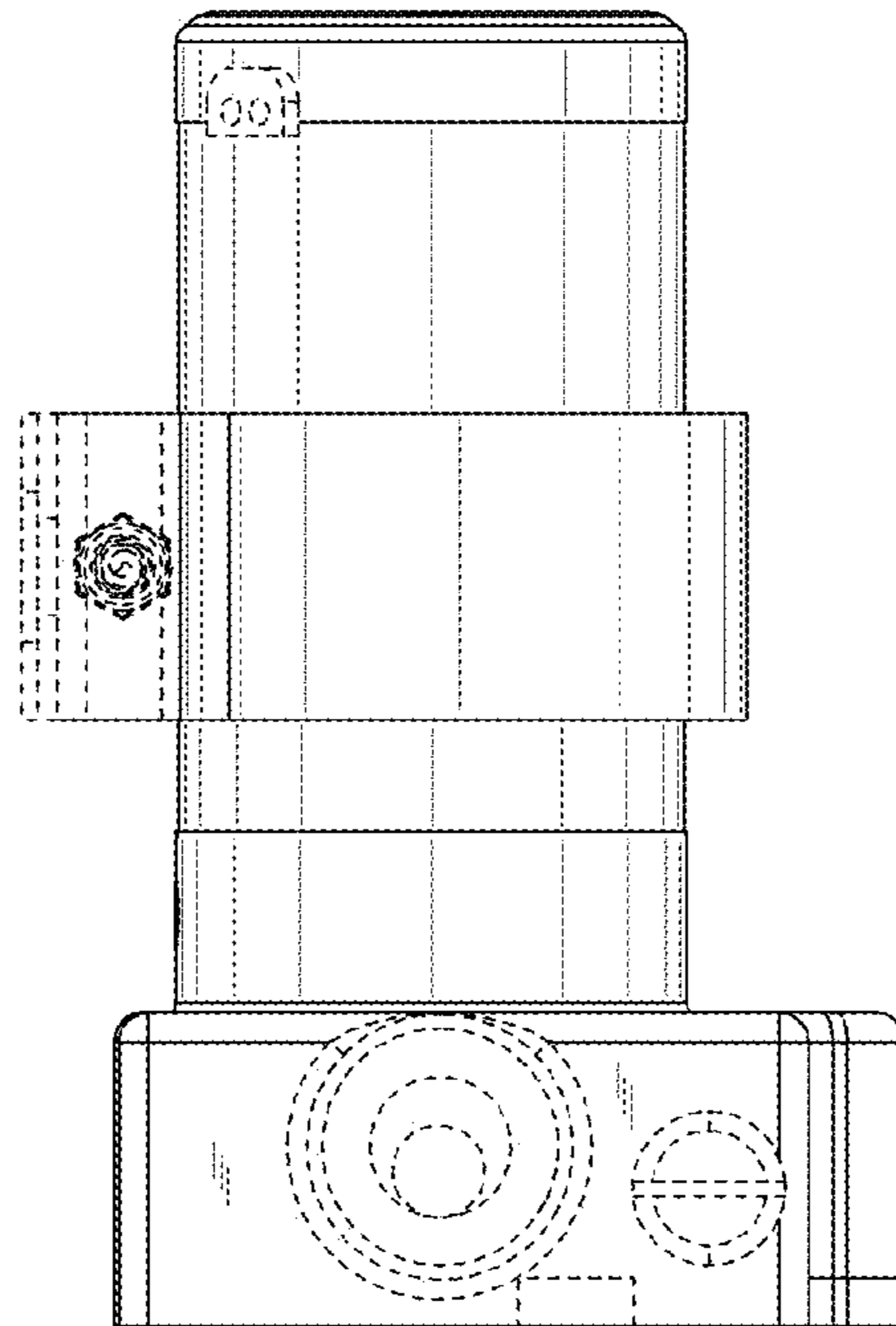


FIG. 5

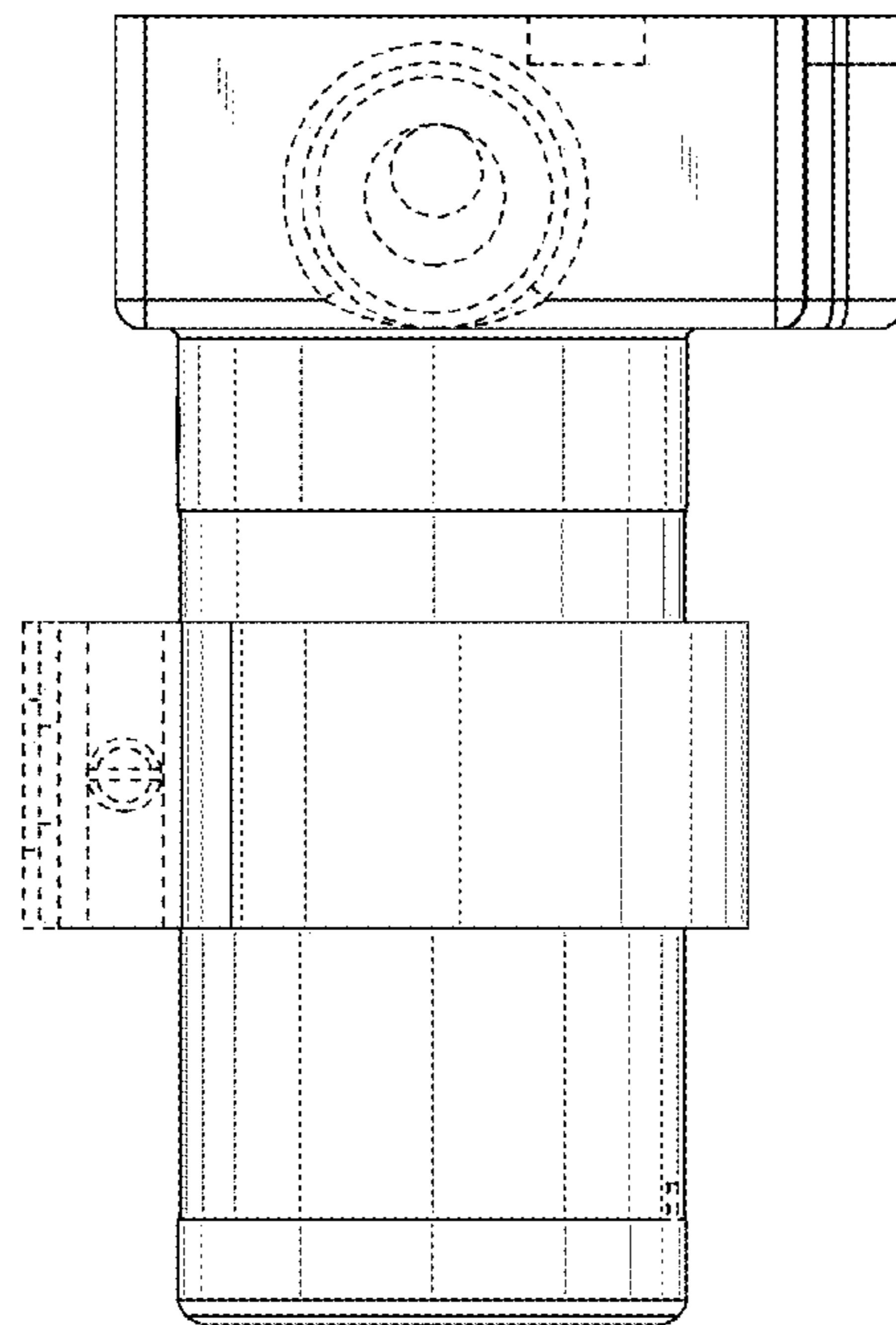


FIG. 6

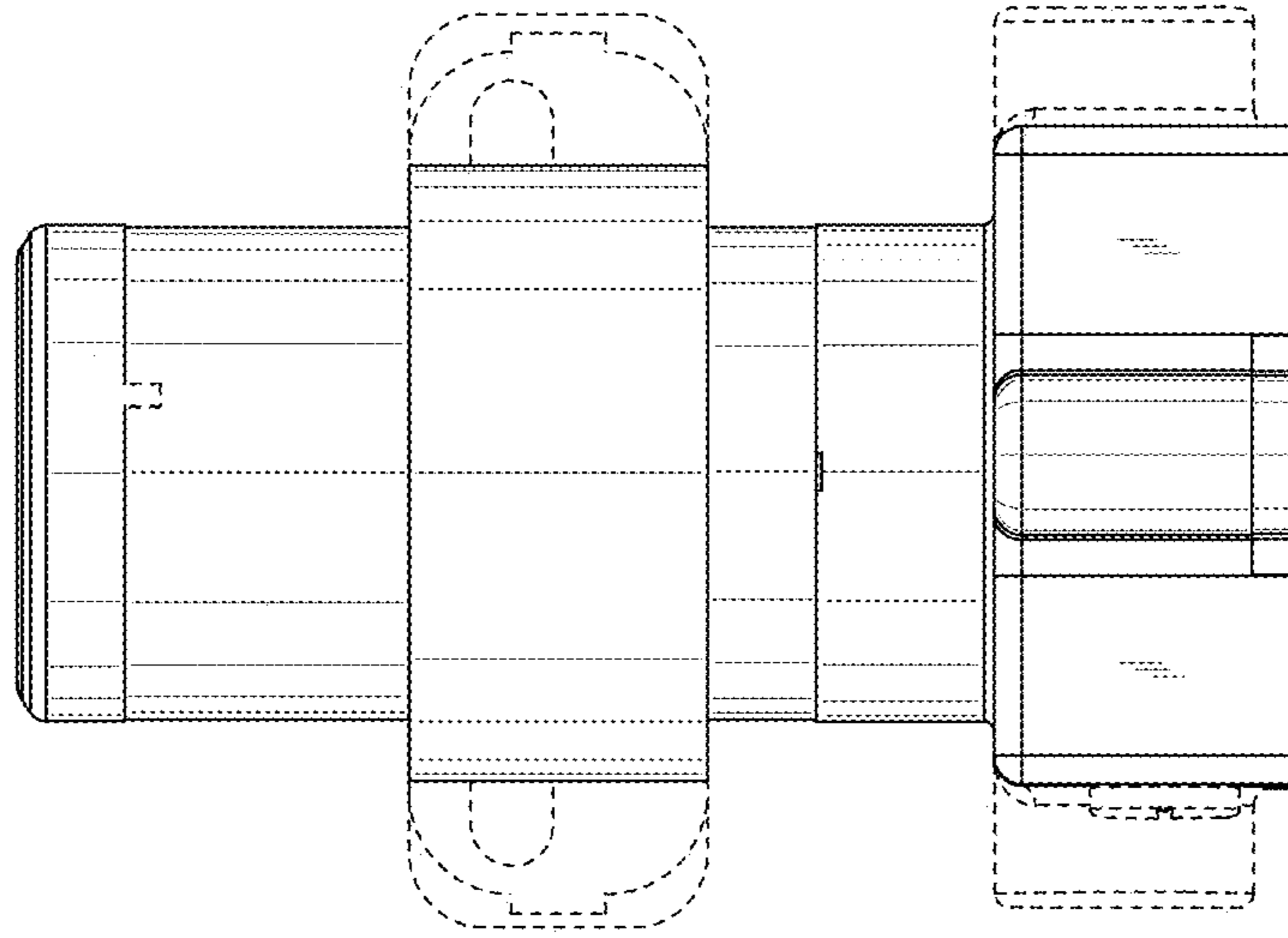


FIG. 7

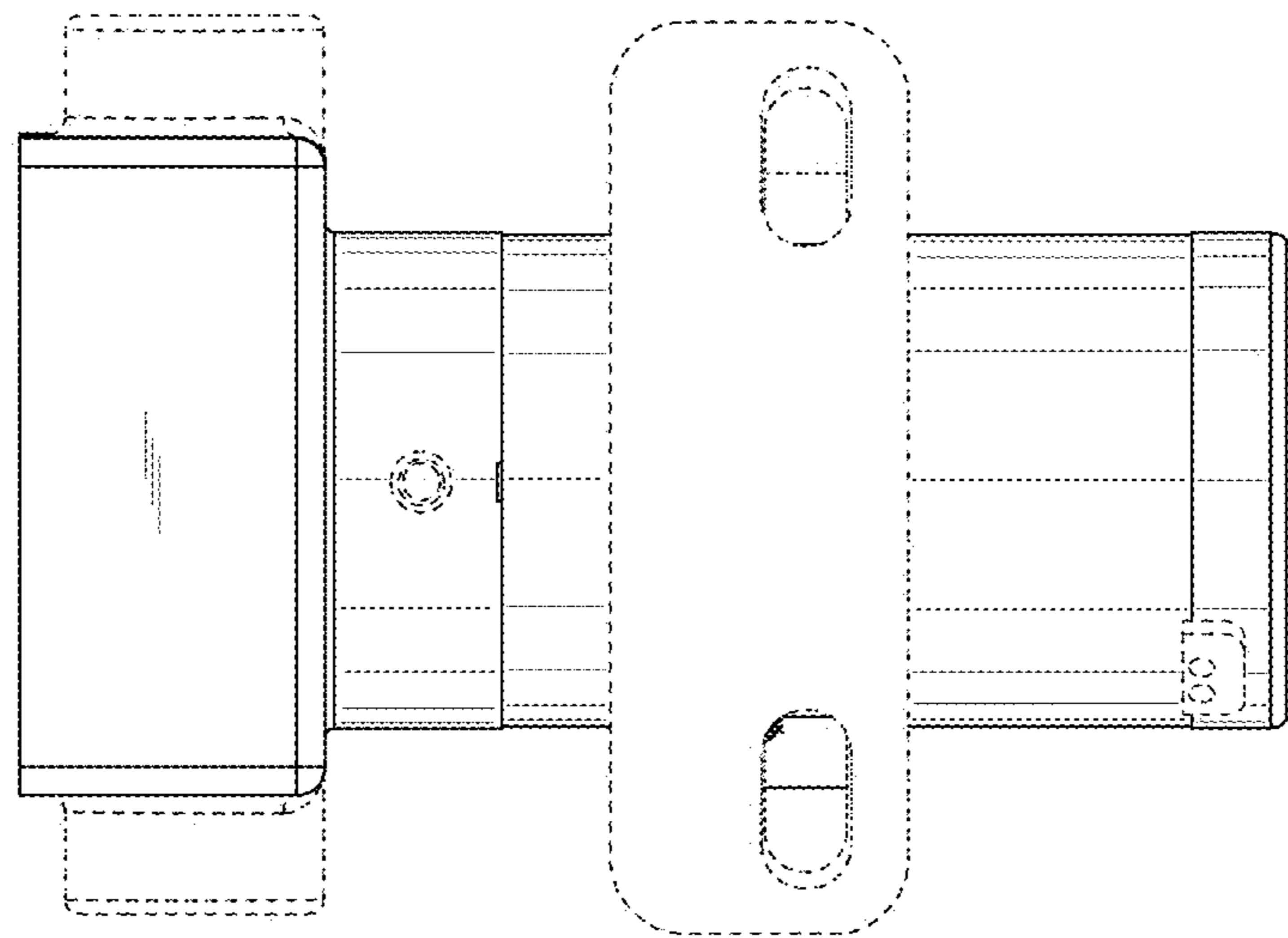


FIG. 8

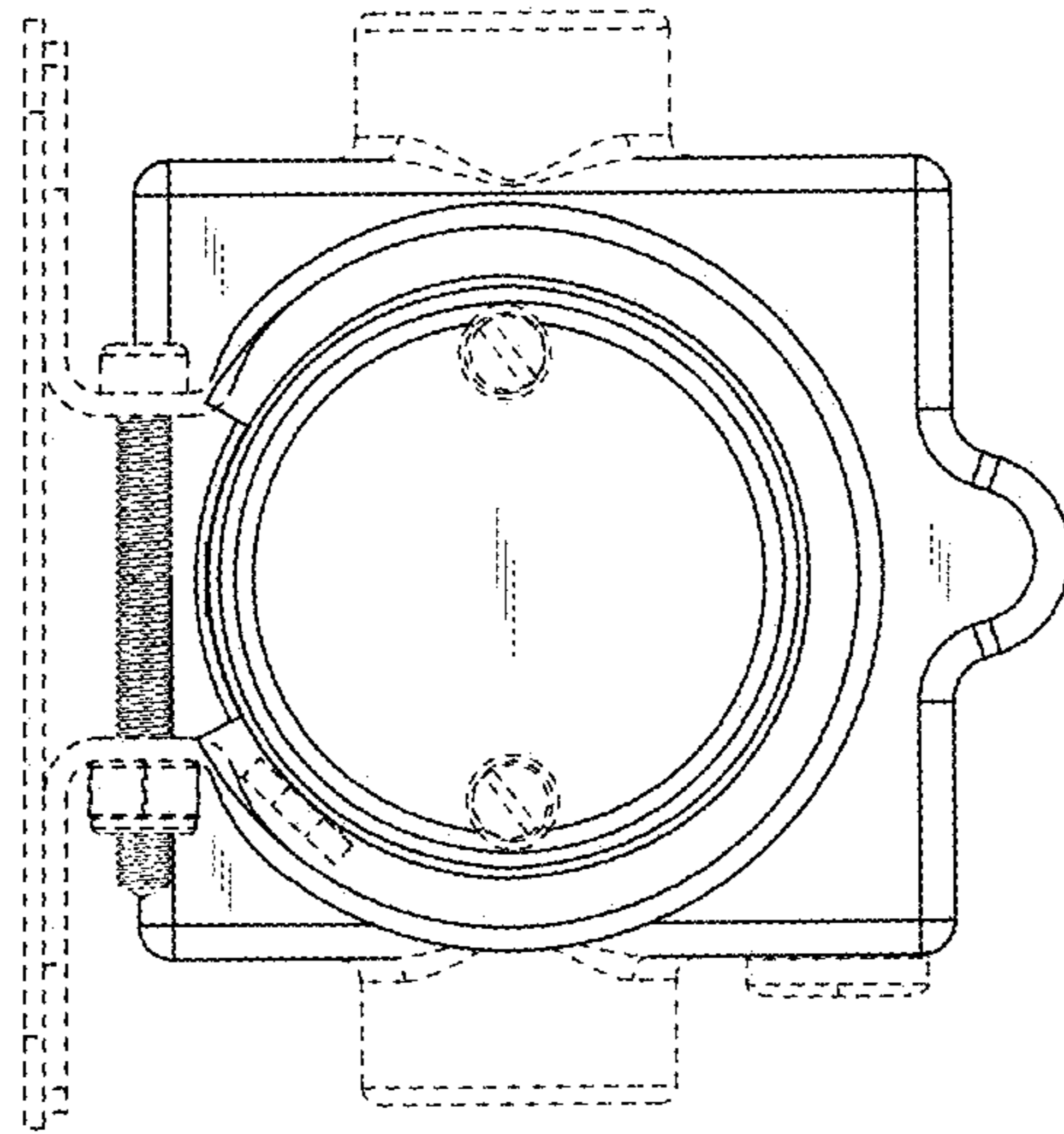


FIG. 9

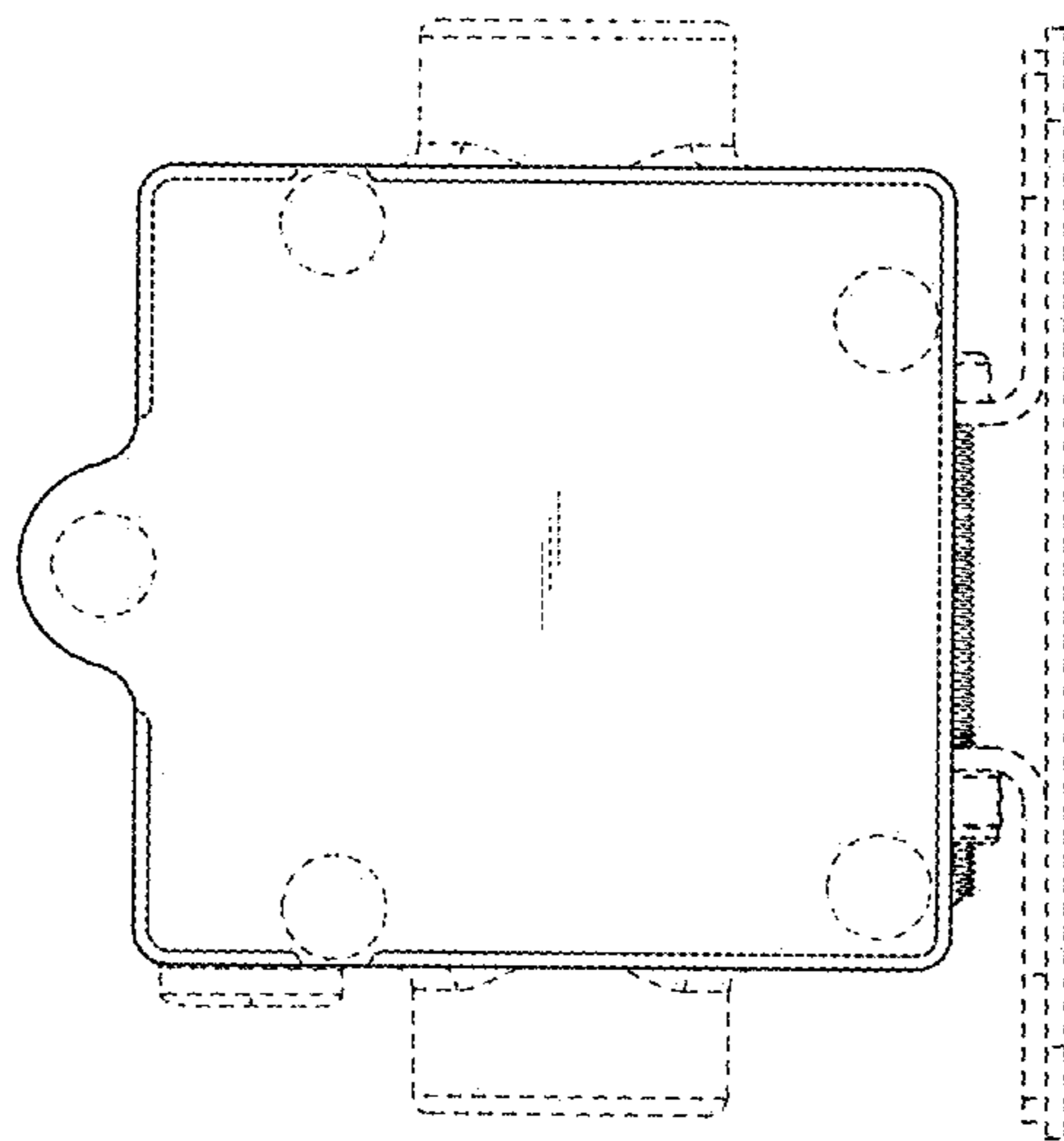


FIG. 10