

US00D696299S

(12) **United States Design Patent**
Chamness et al.

(10) **Patent No.:** **US D696,299 S**

(45) **Date of Patent:** **** Dec. 24, 2013**

(54) **PLAYBACK DEVICE**

(71) Applicant: **Sonos, Inc.**, Santa Barbara, CA (US)

(72) Inventors: **Mike Chamness**, Gloucester, MA (US);
Christopher Kallai, Santa Barbara, CA (US);
Mieko Kusano, Santa Barbara, CA (US);
Wei Hean Liew, Allston, MA (US);
Jonathon Reilly, Cambridge, MA (US);
James Y. Koo, Renton, WA (US);
Wai-Loong Lim, San Francisco, CA (US)

(73) Assignee: **Sonos, Inc.**, Santa Barbara, CA (US)

(**) Term: **14 Years**

(21) Appl. No.: **29/455,602**

(22) Filed: **May 22, 2013**

Related U.S. Application Data

(63) Continuation of application No. 29/408,958, filed on Dec. 19, 2011, now Pat. No. Des. 685,392.

(51) **LOC (9) Cl.** **14-03**

(52) **U.S. Cl.**
USPC **D14/496**

(58) **Field of Classification Search**

USPC D14/496, 401, 435, 474, 483, 217, 137,
D14/138, 160, 168, 356, 203.1–203.8, 507,
D14/125–134, 239, 434; 345/156, 169,
345/173–179, 905; 715/727–729, 864;
710/1, 5, 8; 713/1, 600; 455/1.1, 1.7,
455/73, 344–347, 93, 95, 3.01–3.06, 550.1,
455/573.1; 370/342–344; 369/1, 2, 6–12;
463/43–47; 273/148 B

See application file for complete search history.

(56) **References Cited**

U.S. PATENT DOCUMENTS

5,379,057 A 1/1995 Clough et al.
D390,220 S * 2/1998 Matsuoka D14/502

(Continued)

OTHER PUBLICATIONS

United States Patent and Trademark Office, "Notice of Allowance" issued in connection with U.S. Appl. No. 29/408,958 mailed on Feb. 21, 2013, 12 pages.

(Continued)

Primary Examiner — Prabhakar Deshmukh

(74) *Attorney, Agent, or Firm* — Hanley, Flight and Zimmerman, LLC

(57) **CLAIM**

The ornamental design for a playback device, as shown and described.

DESCRIPTION

FIG. 1 is an isometric front view of a playback device.
FIG. 2 is an isometric rear view of the playback device of FIG. 1.

FIG. 3 is a front view of the playback device of FIG. 1.

FIG. 4 is a rear view of the playback device of FIG. 1.

FIG. 5 is a side view of the playback device of FIG. 1.

FIG. 6 is another side view of the playback device of FIG. 1.

FIG. 7 is a top view of the playback device of FIG. 1.

FIG. 8 is a bottom view of the playback device of FIG. 1.

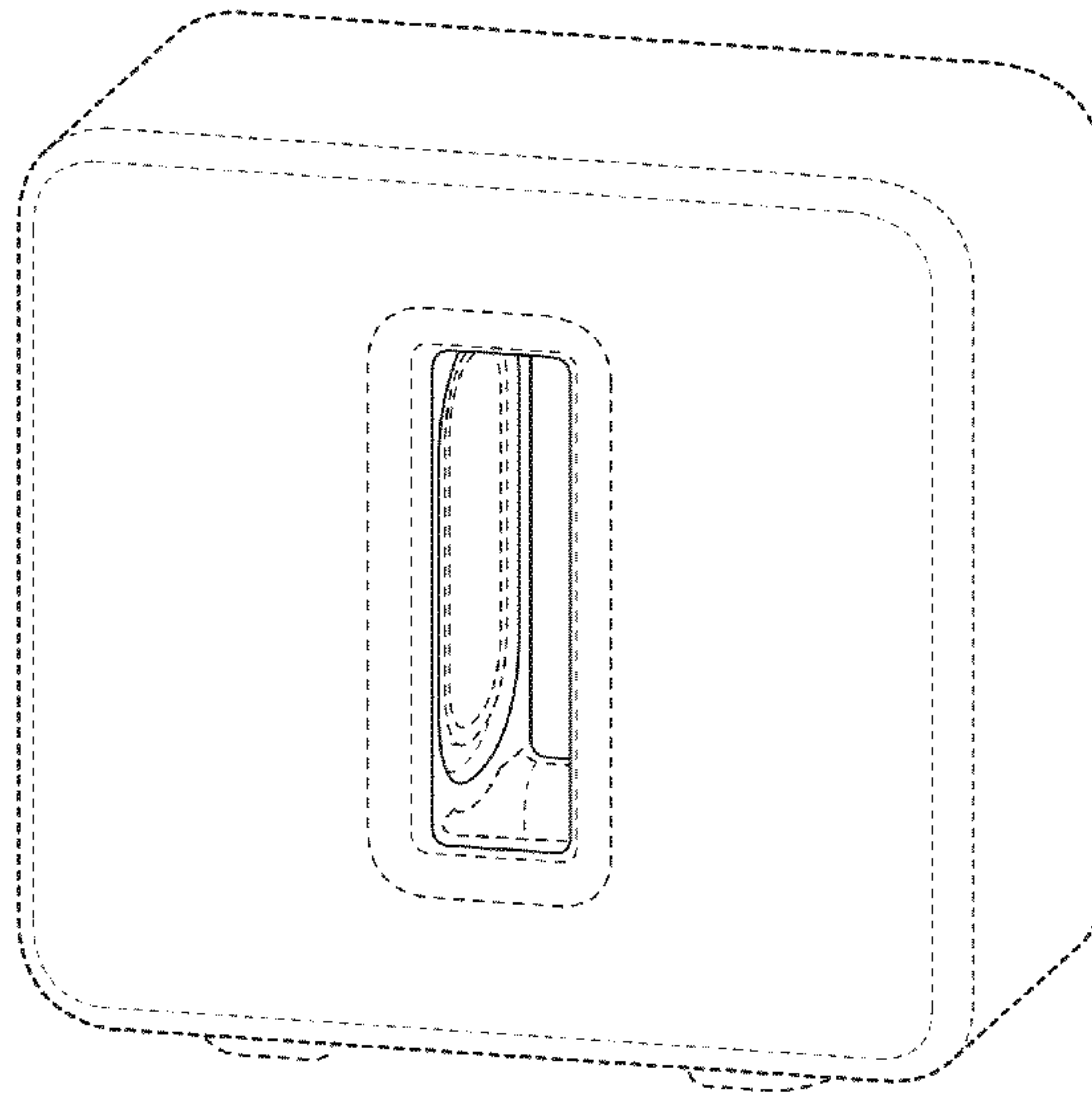
FIG. 9 is another isometric view of the playback device of FIG. 1.

FIG. 10 is another isometric view of the playback device of FIG. 1; and,

FIG. 11 is another isometric view of the playback device of FIG. 1.

The features shown in broken lines are for illustrative purposes only and do not form part of the claimed design.

1 Claim, 6 Drawing Sheets



(56)

References Cited

U.S. PATENT DOCUMENTS

5,914,707 A 6/1999 Kono
D461,187 S * 8/2002 Andre et al. D14/356
D495,336 S 8/2004 Andre et al.
6,908,387 B2 * 6/2005 Hedrick et al. 463/31
6,955,606 B2 * 10/2005 Taho et al. 463/43
D522,531 S 6/2006 Solomon et al.
7,090,582 B2 * 8/2006 Danieli et al. 463/35
7,113,218 B2 9/2006 Battles et al.
D577,743 S * 9/2008 Liu D14/496
D580,952 S 11/2008 Liu

D585,898 S 2/2009 Skurdal
D601,583 S 10/2009 Andre et al.
D620,028 S * 7/2010 Kim D14/496
D620,953 S 8/2010 Andre et al.
D633,503 S 3/2011 Bo et al.
D662,491 S 6/2012 Andre et al.
D669,500 S 10/2012 Dangerfield
2003/0063215 A1 4/2003 Tsuji

OTHER PUBLICATIONS

U.S. Appl. No. 29/408,958, filed Dec. 19, 2011, 14 pages.

* cited by examiner

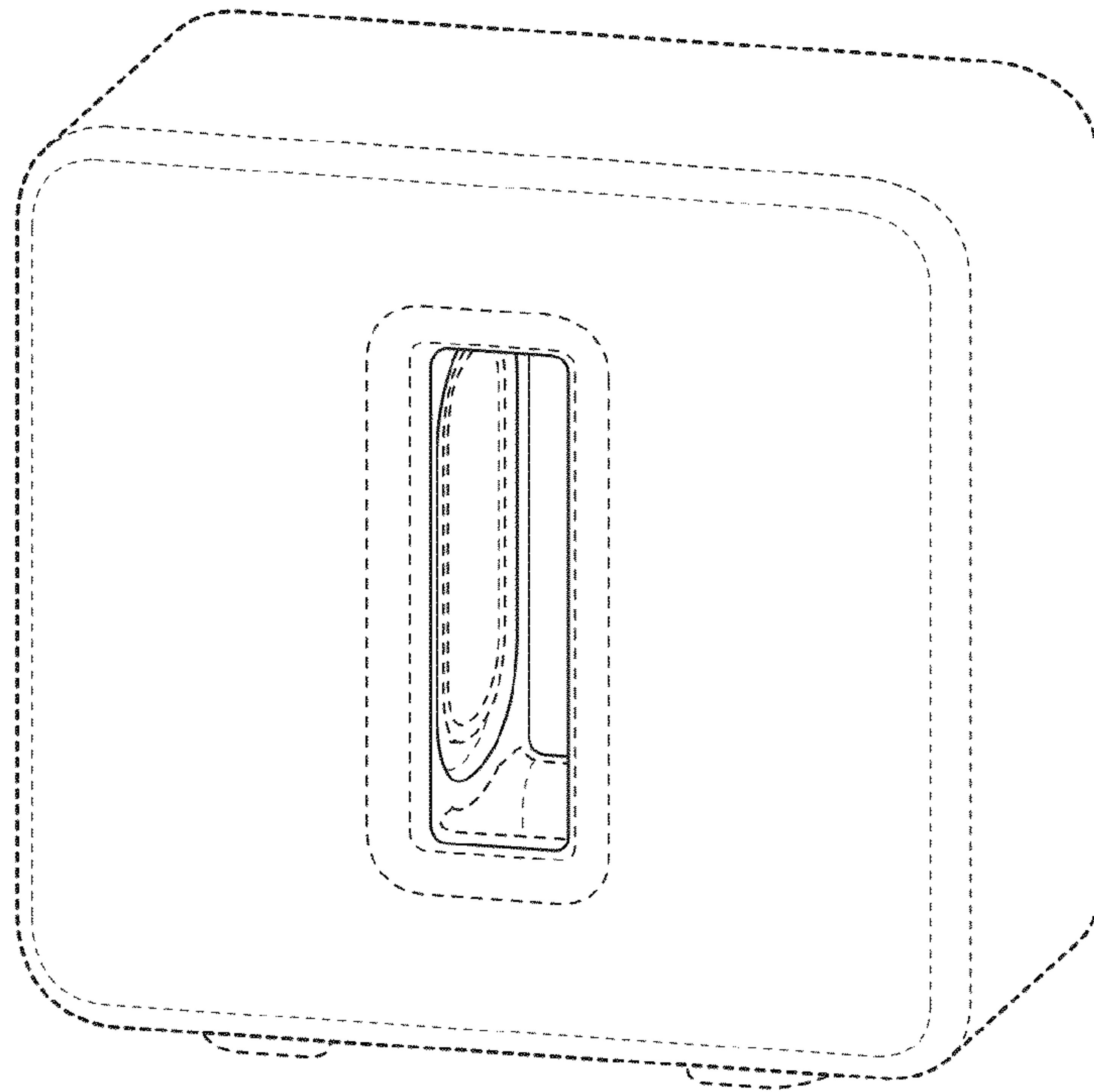


FIG. 1

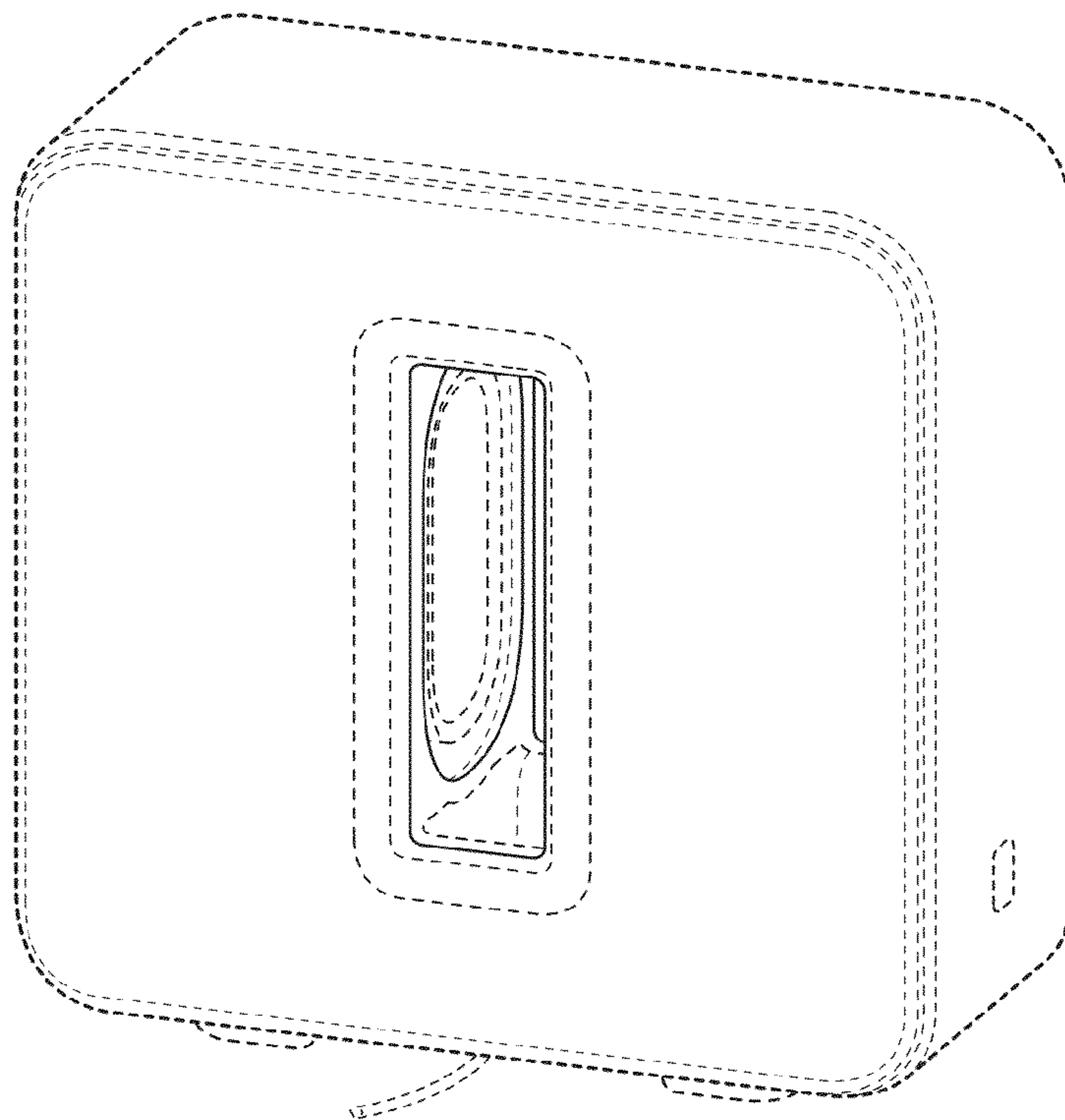


FIG. 2

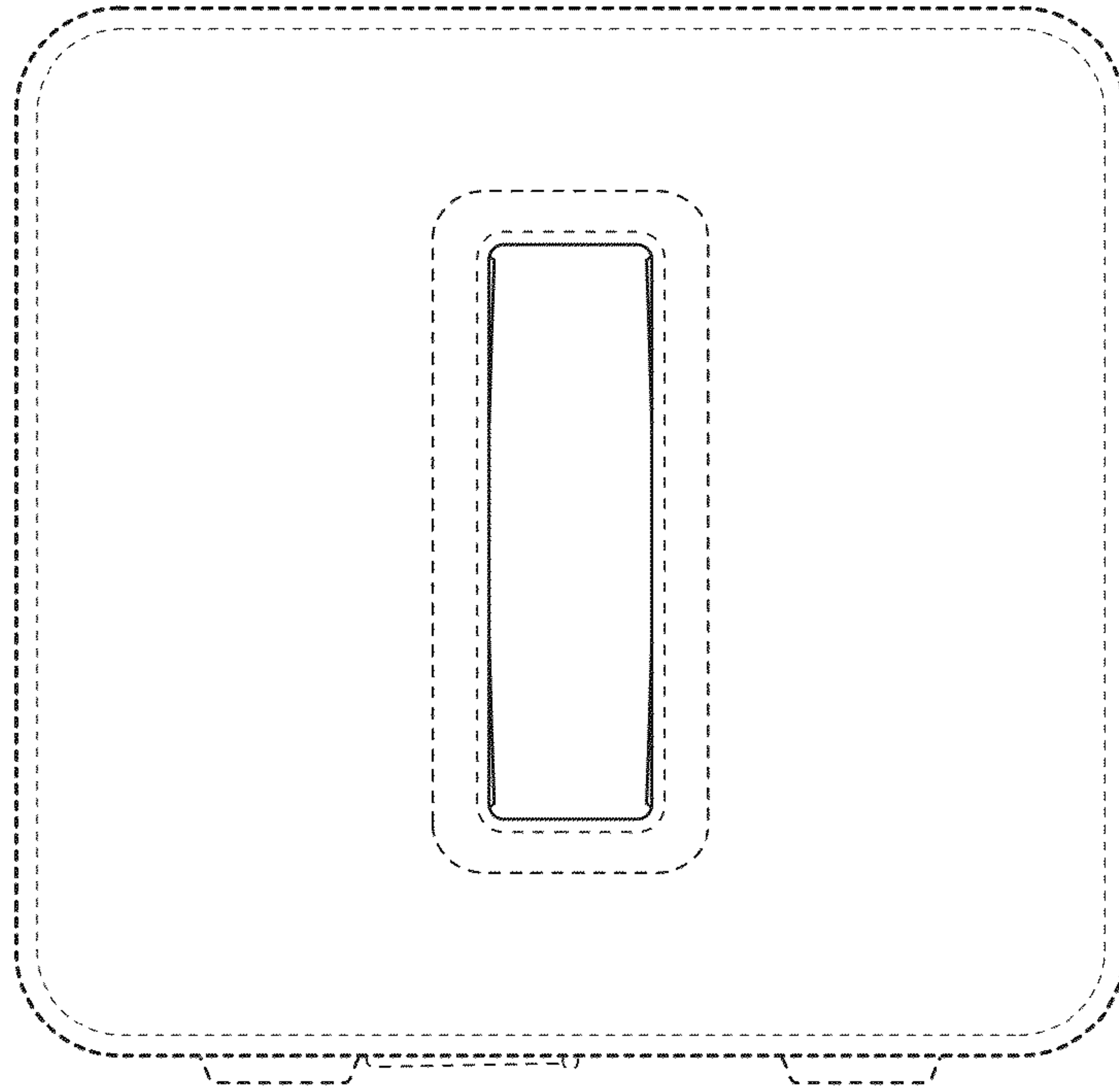


FIG. 3

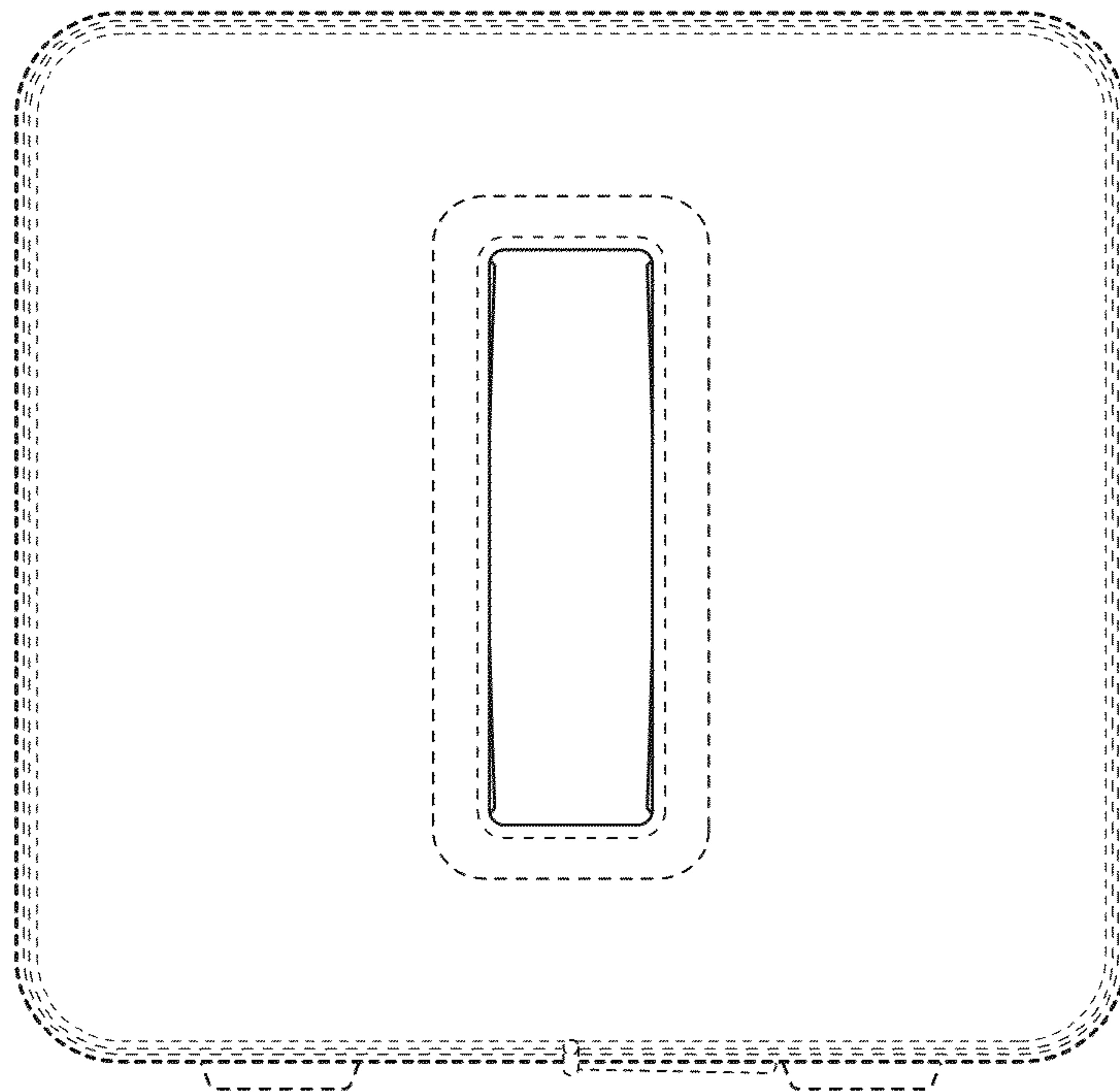


FIG. 4

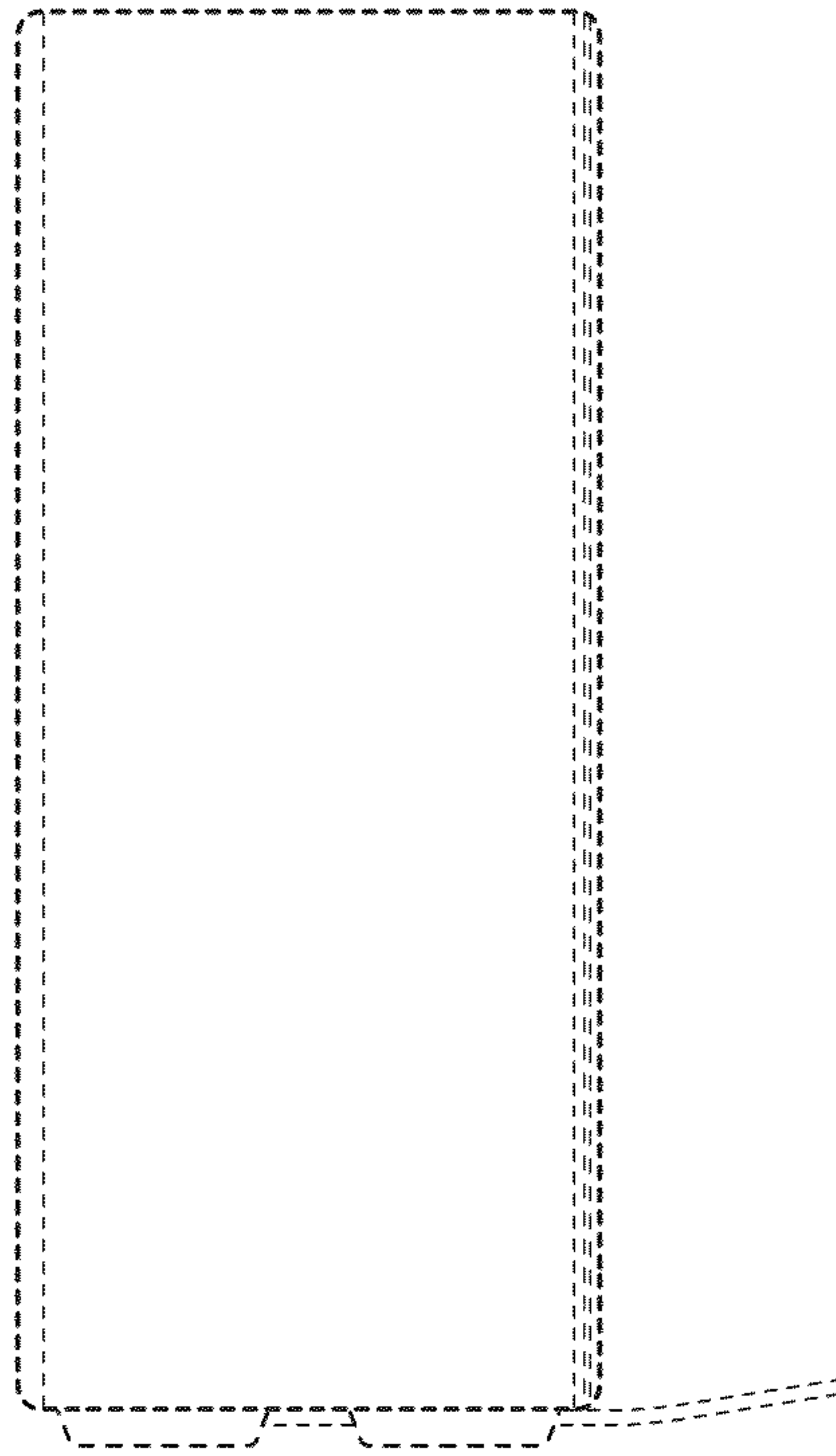


FIG. 5

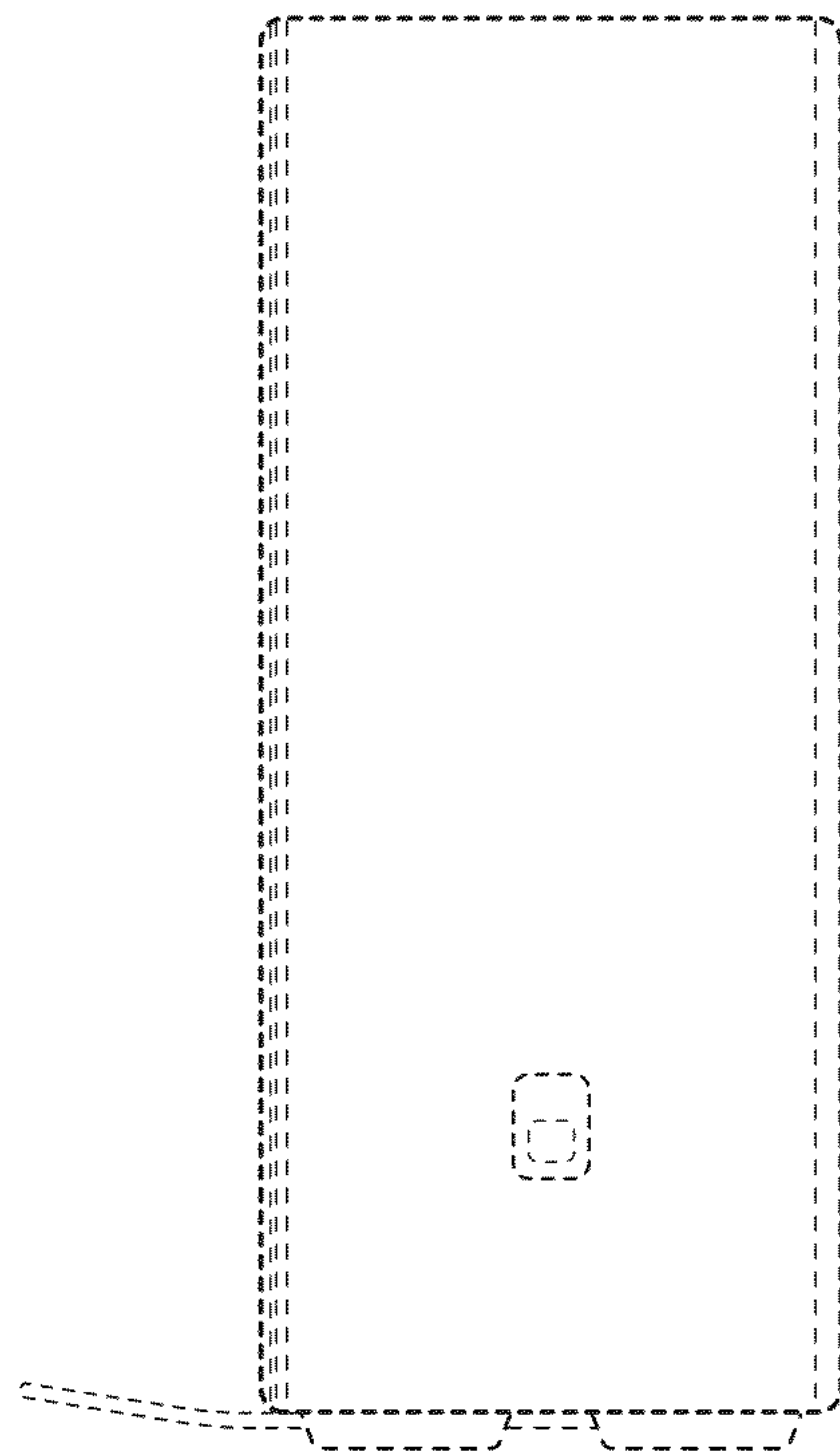


FIG. 6

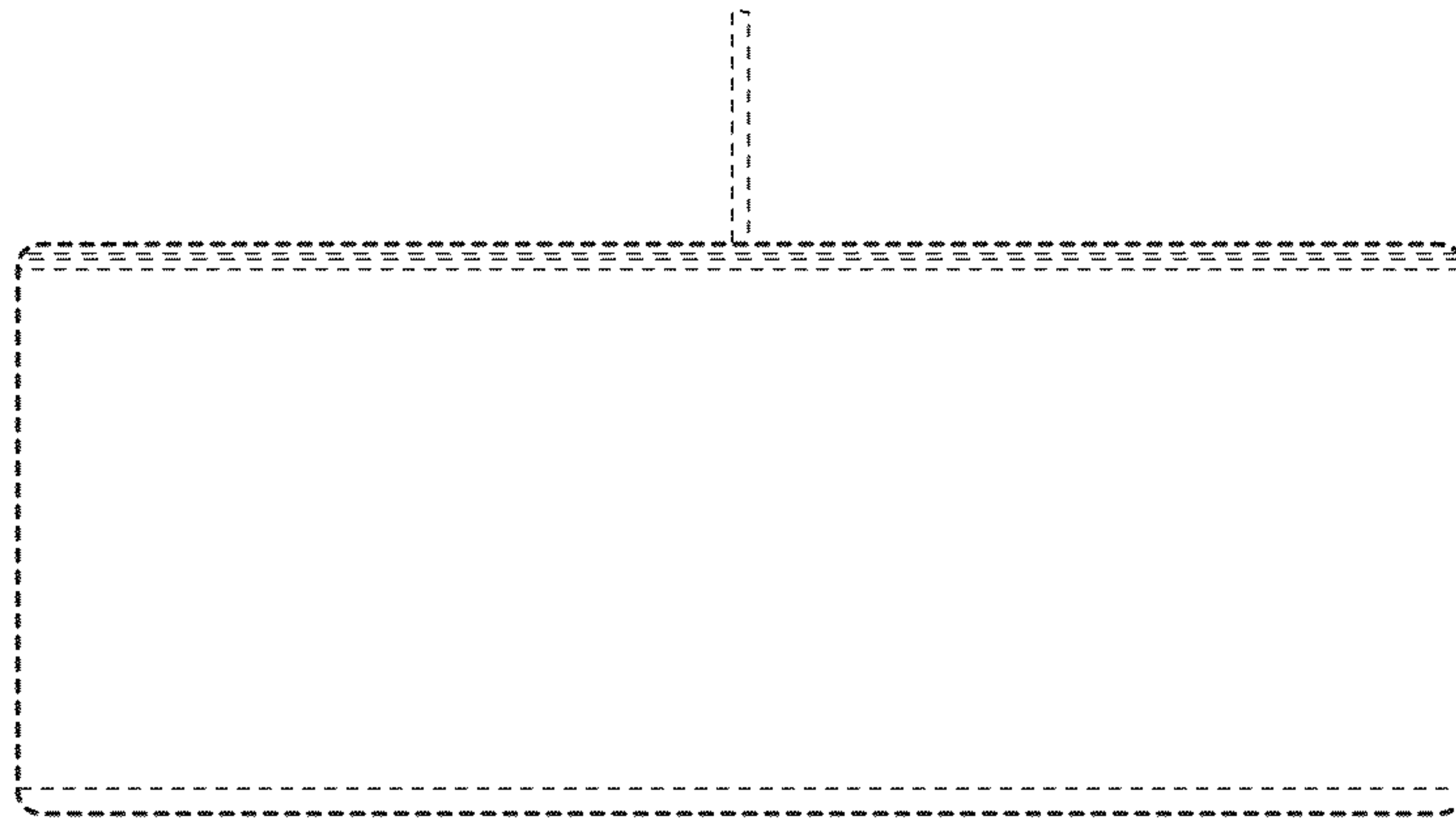


FIG. 7

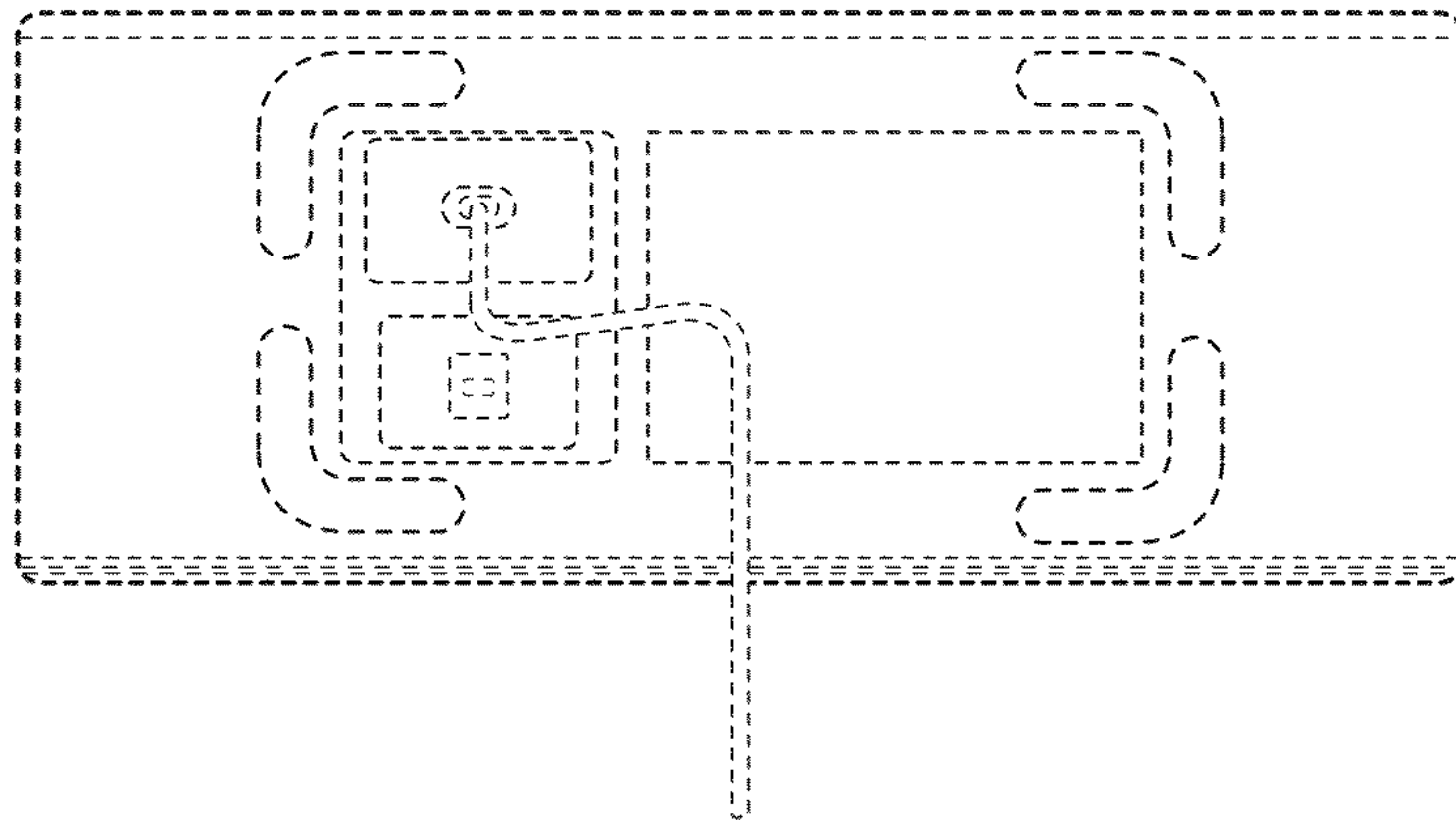


FIG. 8

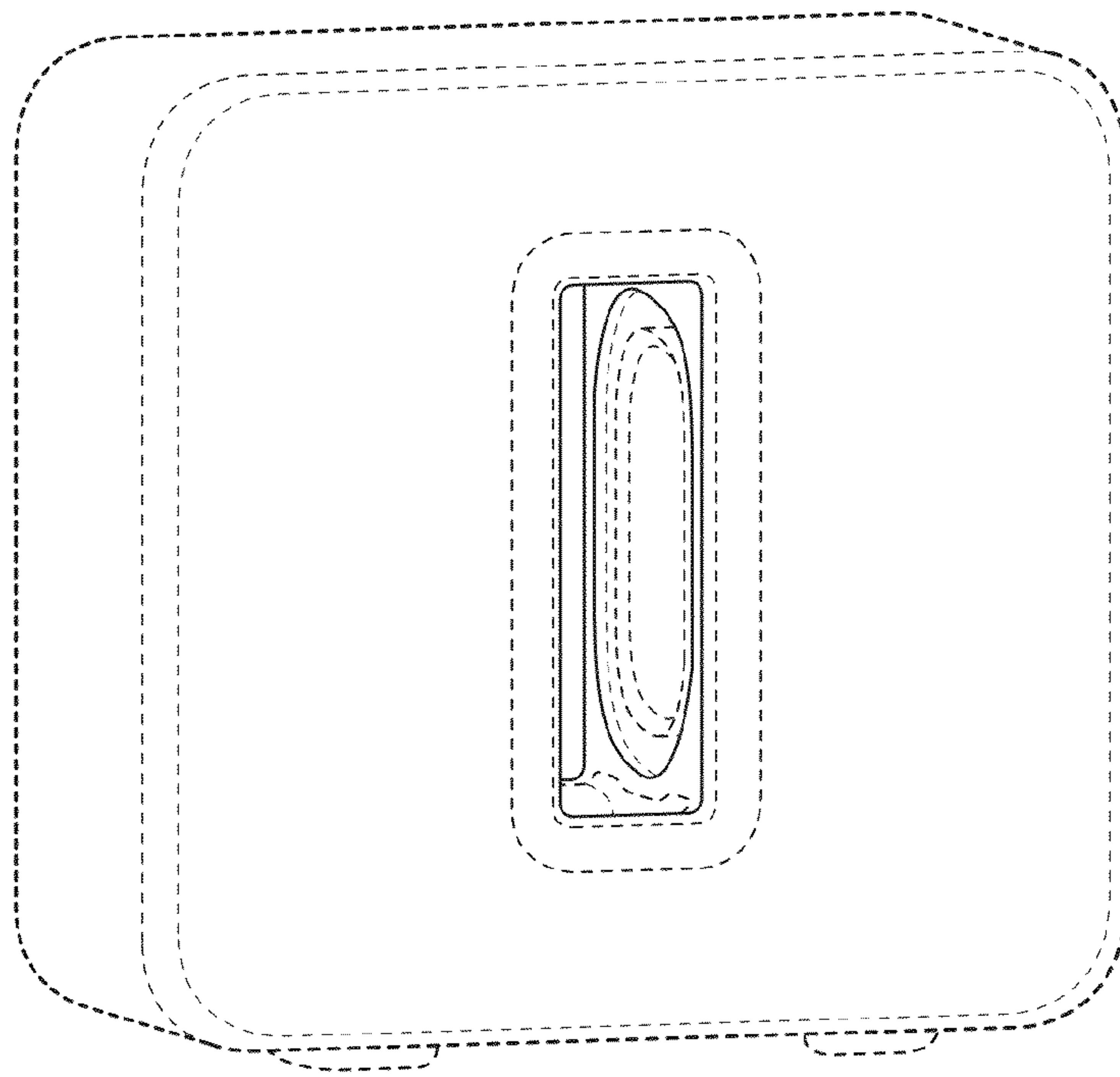


FIG. 9

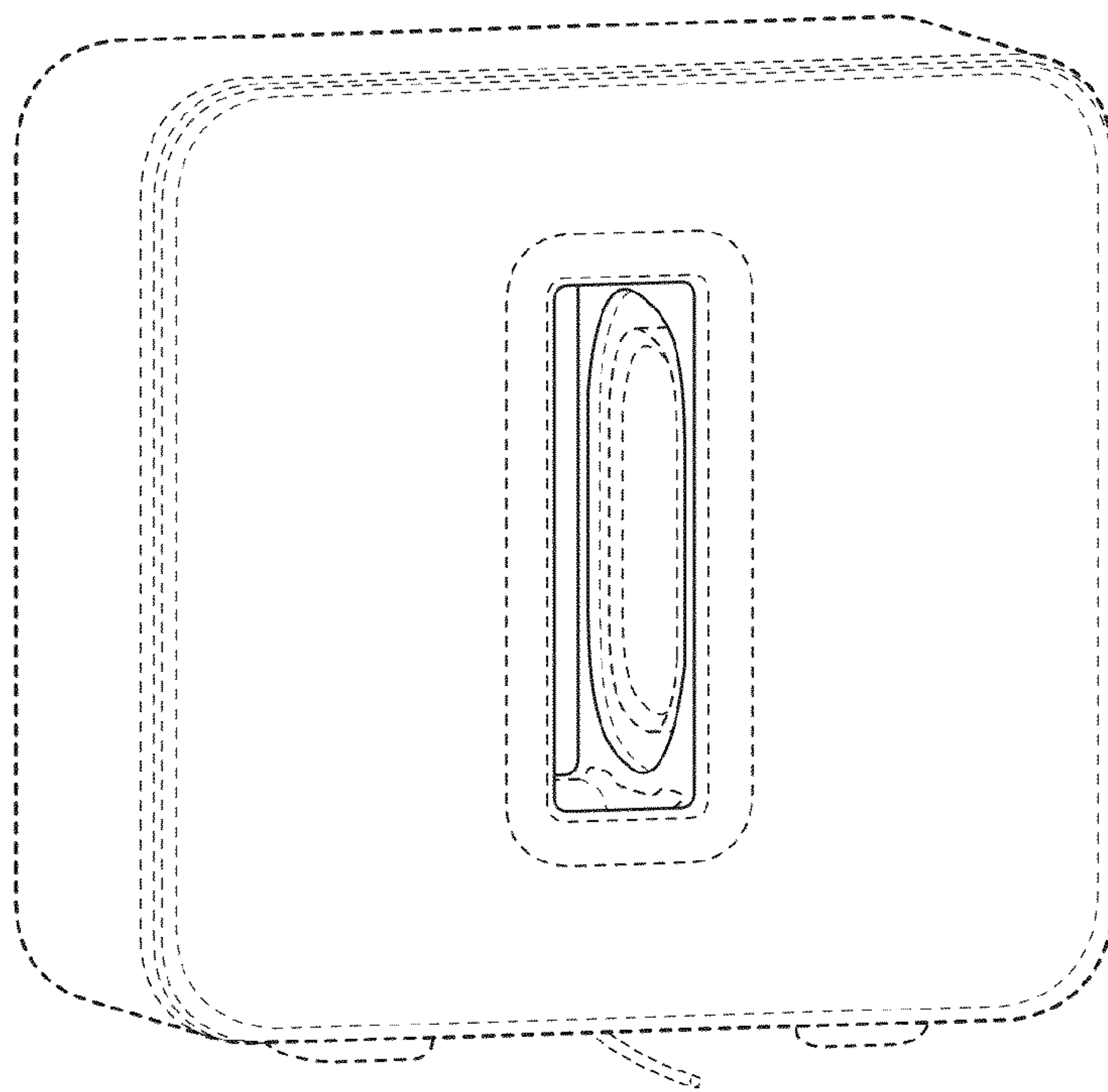


FIG. 10

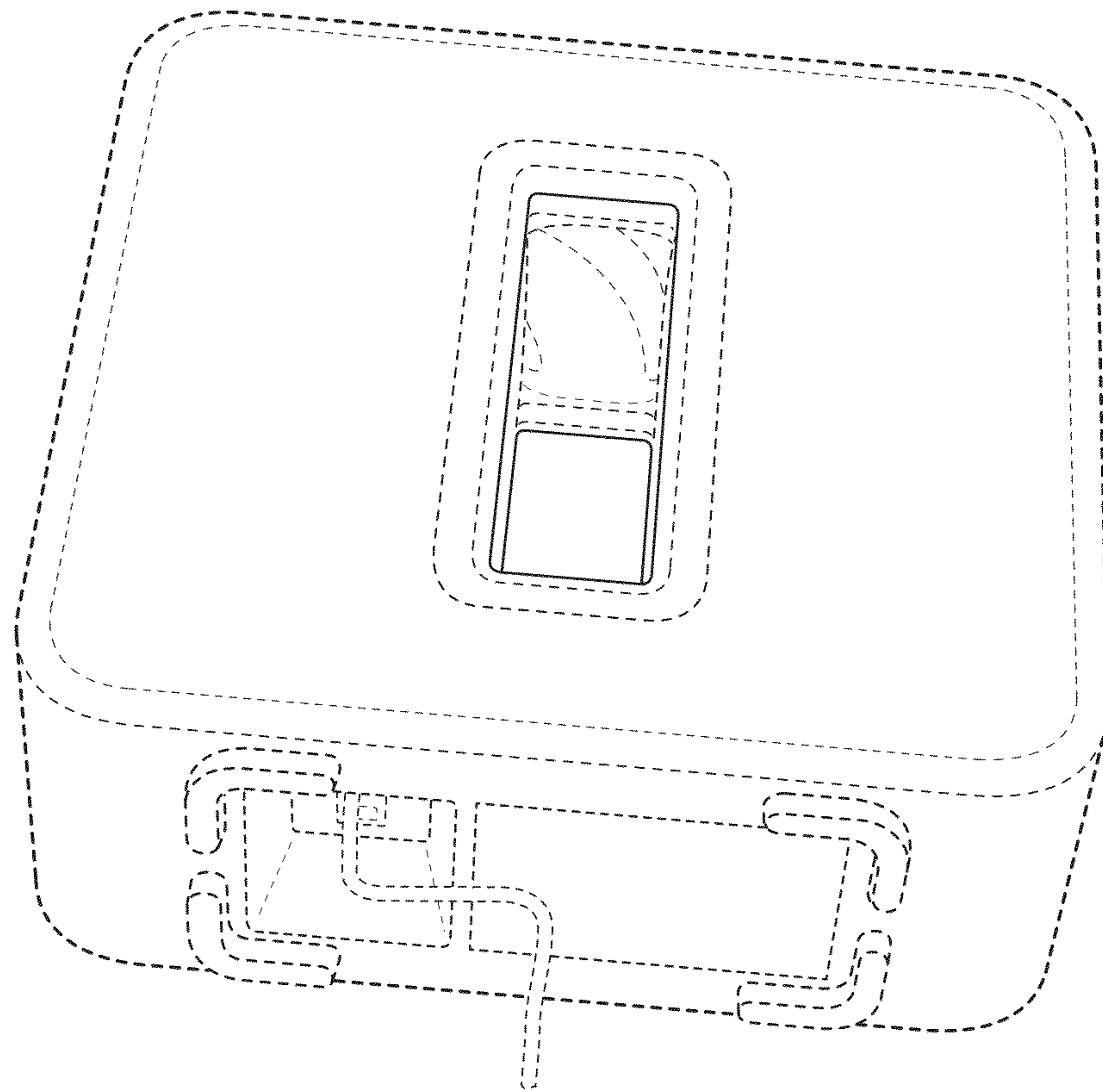


FIG. 11