

US00D696298S

(12) **United States Design Patent**
Britt, Jr. et al.

(10) **Patent No.:** **US D696,298 S**

(45) **Date of Patent:** **** Dec. 24, 2013**

(54) **ELECTRONIC DEVICE**

(75) Inventors: **Joe Freeman Britt, Jr.**, Los Altos, CA (US); **Maaiké Evers**, San Francisco, CA (US); **Michael Simonian**, San Francisco, CA (US)

(73) Assignee: **Google Inc.**, Mountain View, CA (US)

(**) Term: **14 Years**

(21) Appl. No.: **29/423,355**

(22) Filed: **May 31, 2012**

(51) **LOC (9) Cl.** **14-03**

(52) **U.S. Cl.**
USPC **D14/496**

(58) **Field of Classification Search**
USPC D14/496, 401, 435, 474, 483, 217, 137, D14/138, 160, 168, 356, 203.1–203.8, 507; 345/156, 169, 173–179, 905; 715/727–729, 864; 710/1, 5, 8; 713/1, 713/600; 455/1.1, 1.7, 73, 344–347, 93, 95, 455/3.01–3.06, 550.1, 573.1; 370/342–344; 369/1, 2, 6–12; 463/43–47; 273/148 B
See application file for complete search history.

(56) **References Cited**

U.S. PATENT DOCUMENTS

6,522,613 B1 * 2/2003 Frankeny et al. 720/655
D514,093 S * 1/2006 Borsboom D14/216

D526,644 S * 8/2006 Breit D14/216
D541,260 S * 4/2007 Christianson D14/215
7,209,648 B2 * 4/2007 Barber et al. 386/243
D544,881 S * 6/2007 Yang et al. D14/496
7,255,646 B2 * 8/2007 Silverbrook et al. 463/30
D552,054 S * 10/2007 Pena Angarita D14/498
D599,820 S * 9/2009 Su et al. D14/496
D612,361 S * 3/2010 Wright D14/203.2
D626,147 S * 10/2010 Goddard D14/496

* cited by examiner

Primary Examiner — Prabhakar Deshmukh

(74) *Attorney, Agent, or Firm* — Morris & Kamlay LLP

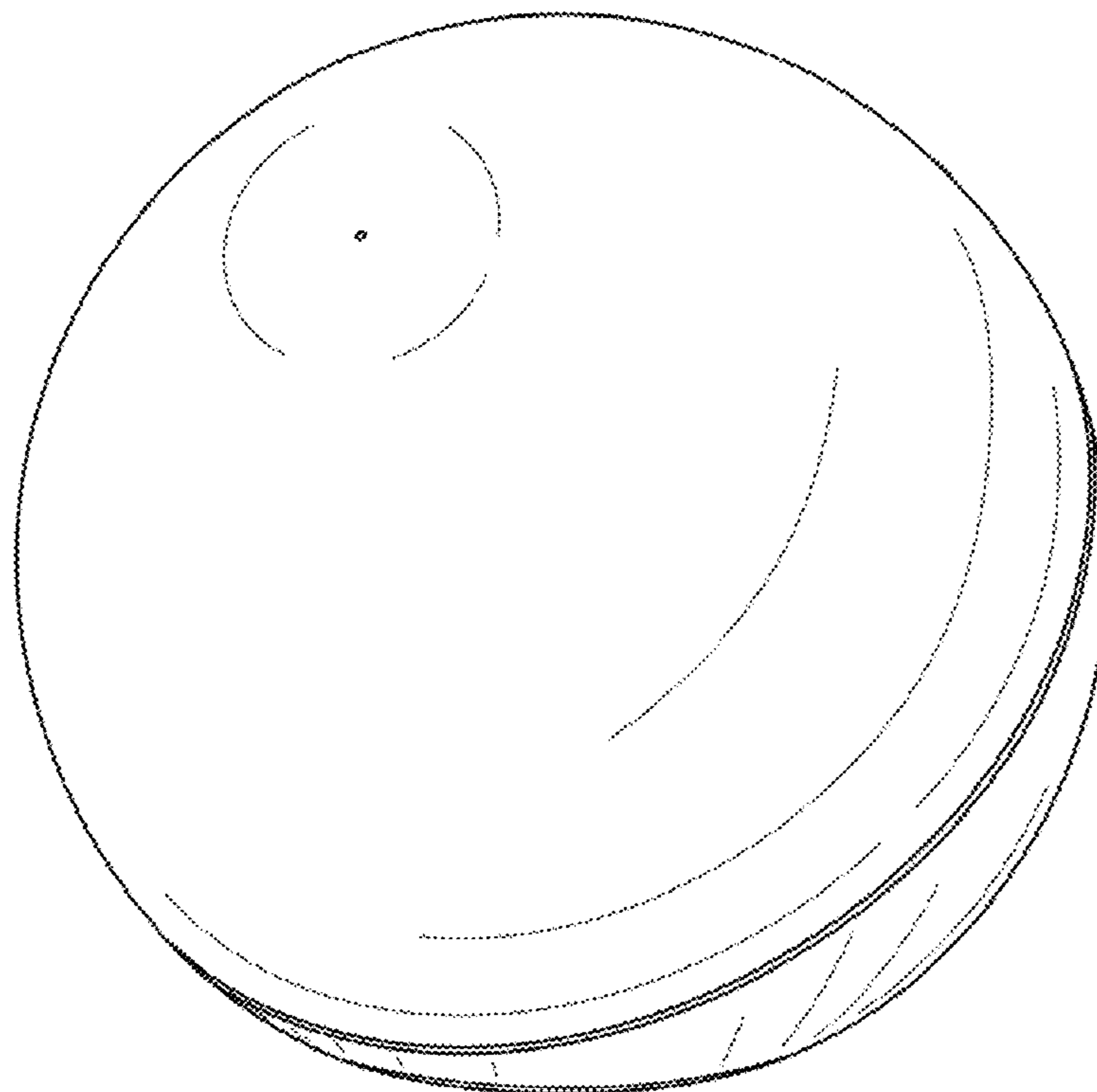
(57) **CLAIM**

The ornamental design for an electronic device, as shown.

DESCRIPTION

FIG. 1 is a right, front auxiliary view of an electronic device according our design;
FIG. 2 is a front elevation view thereof;
FIG. 3 is a rear elevation view thereof;
FIG. 4 is a right elevation view thereof;
FIG. 5 is a left side elevation view thereof;
FIG. 6 is a bottom plan view thereof; and,
FIG. 7 is an alternate bottom plan view showing a concave portion of of our design.
The broken lines indicate disclaimed portions and form no part of the claimed design.

1 Claim, 4 Drawing Sheets



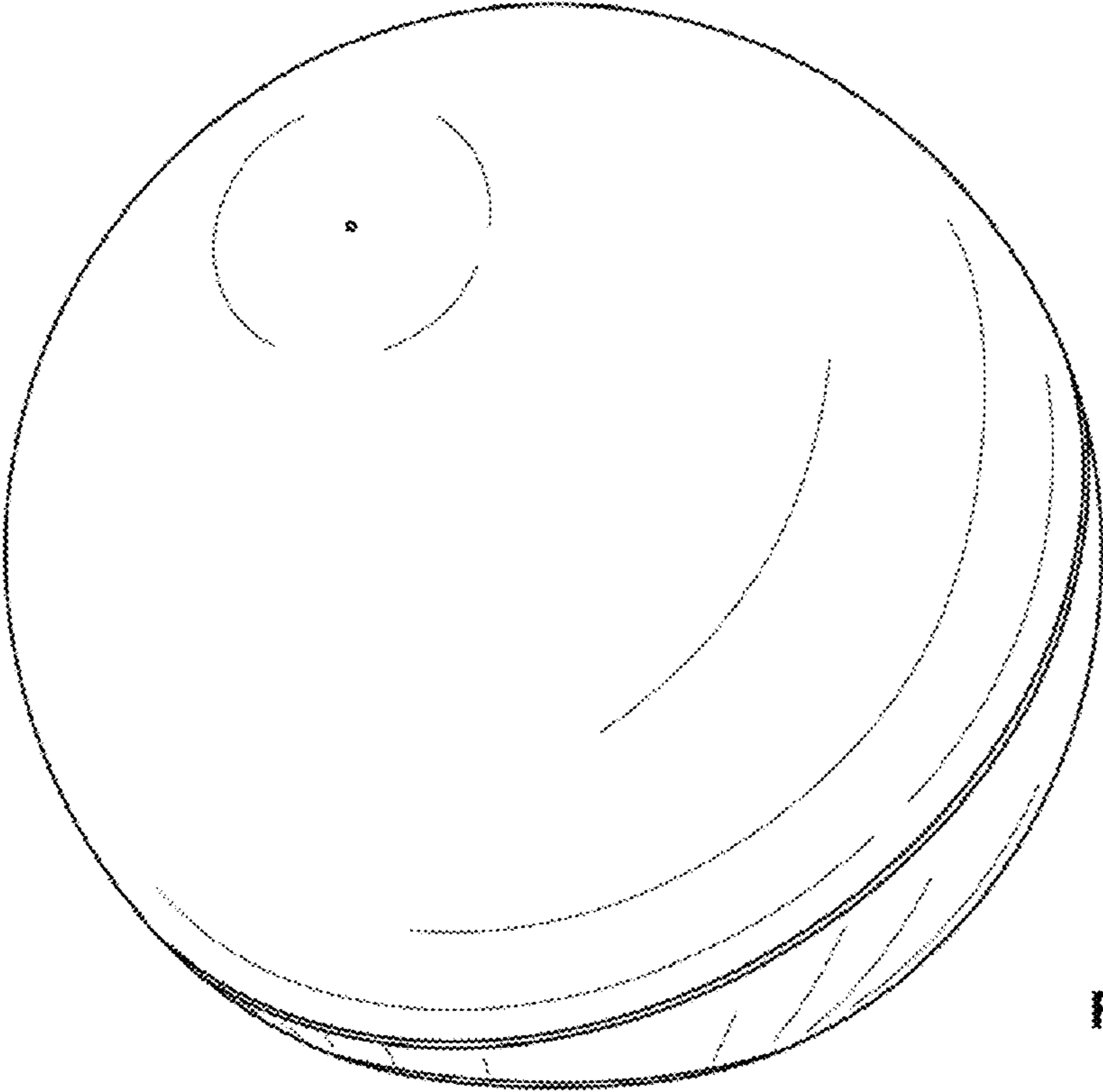


FIG. 1

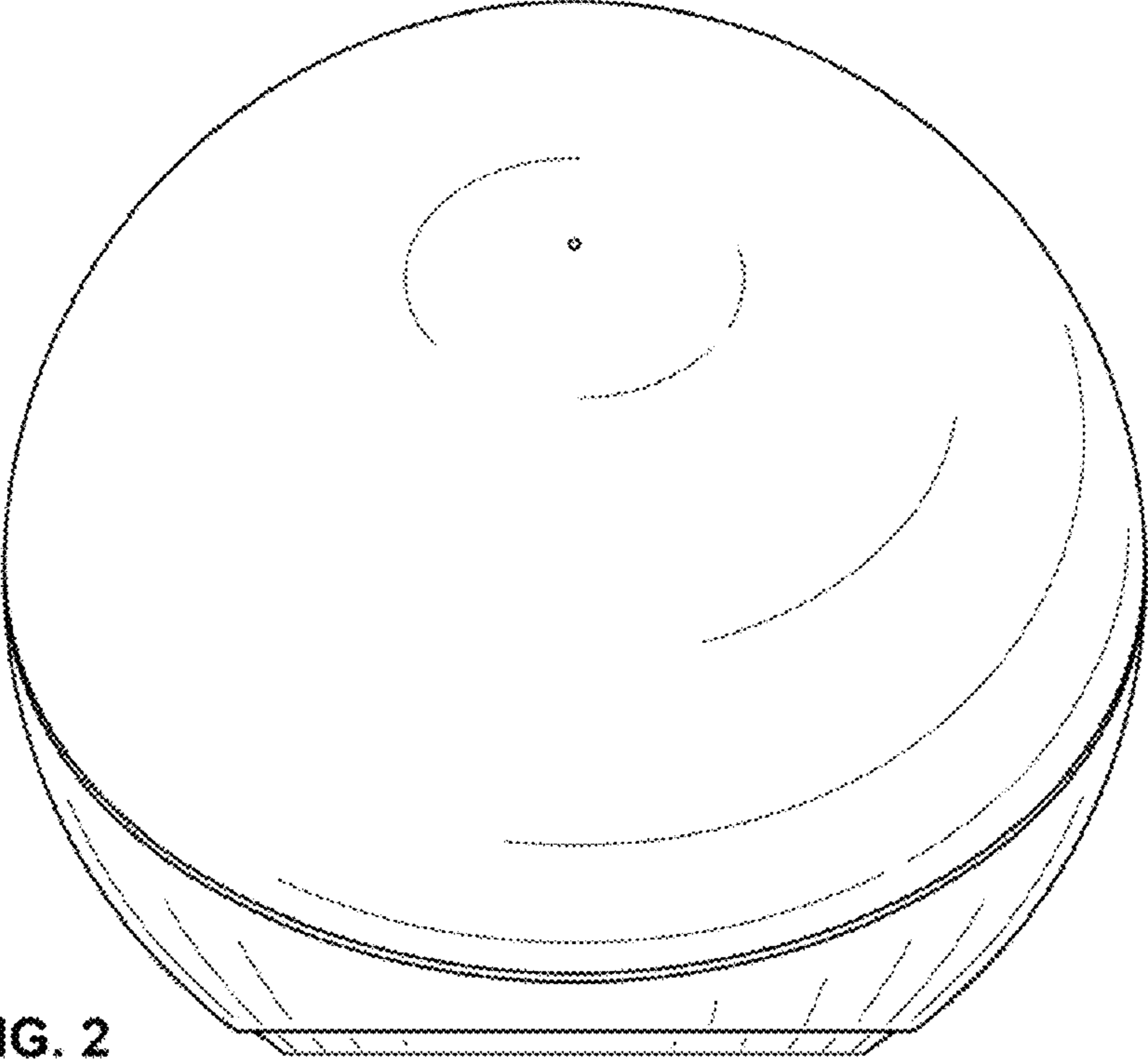


FIG. 2

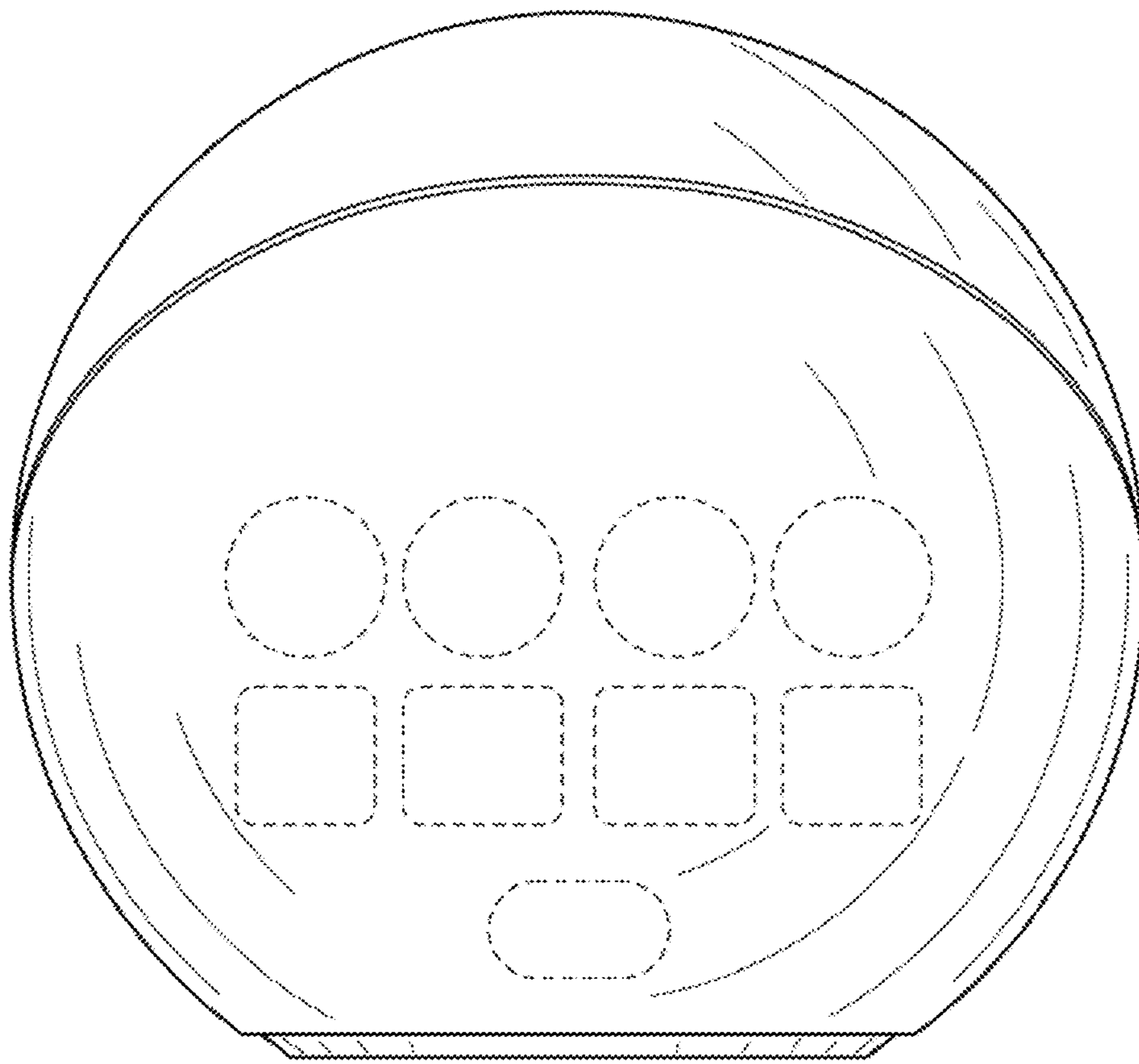


FIG. 3

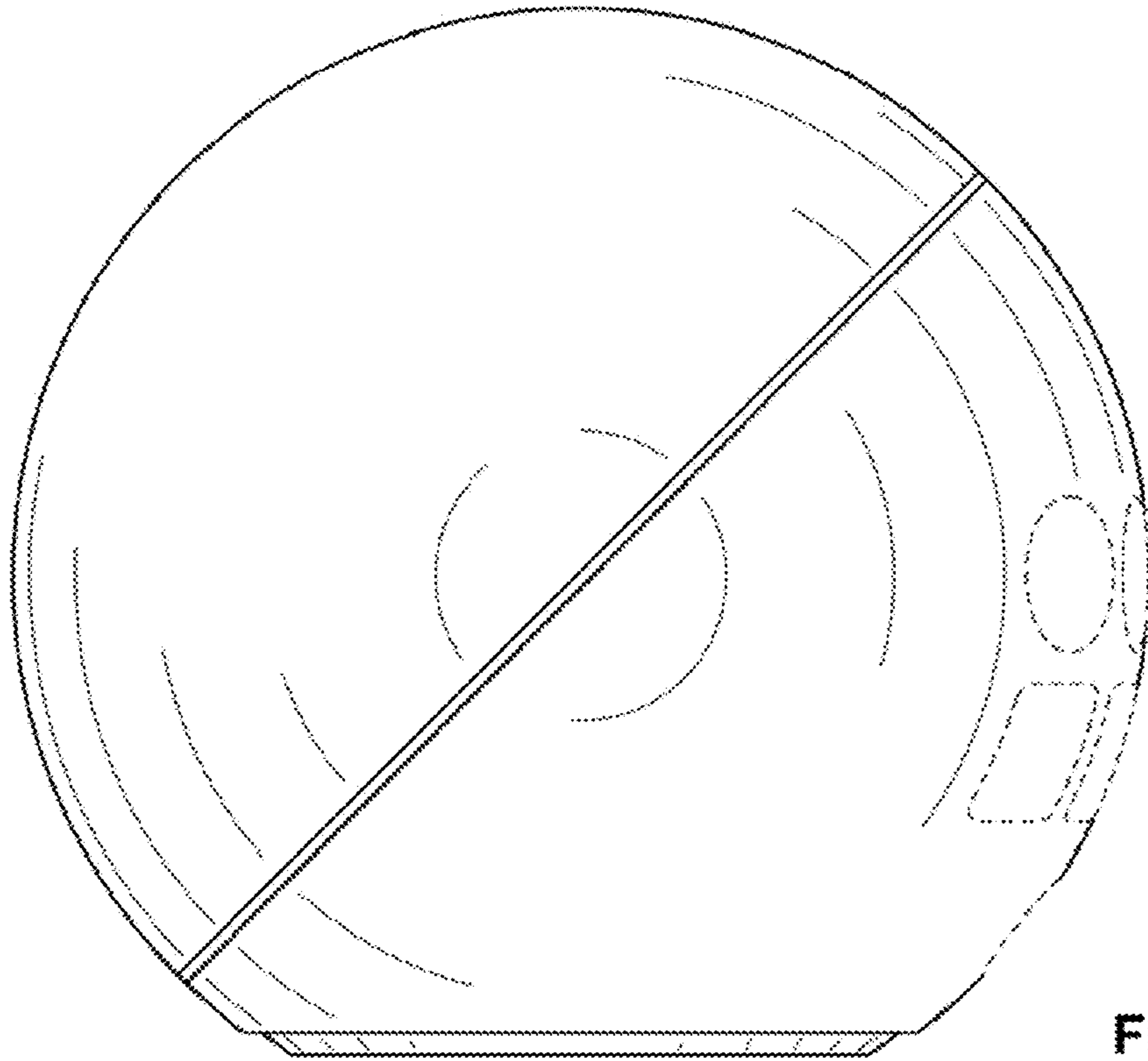


FIG. 4

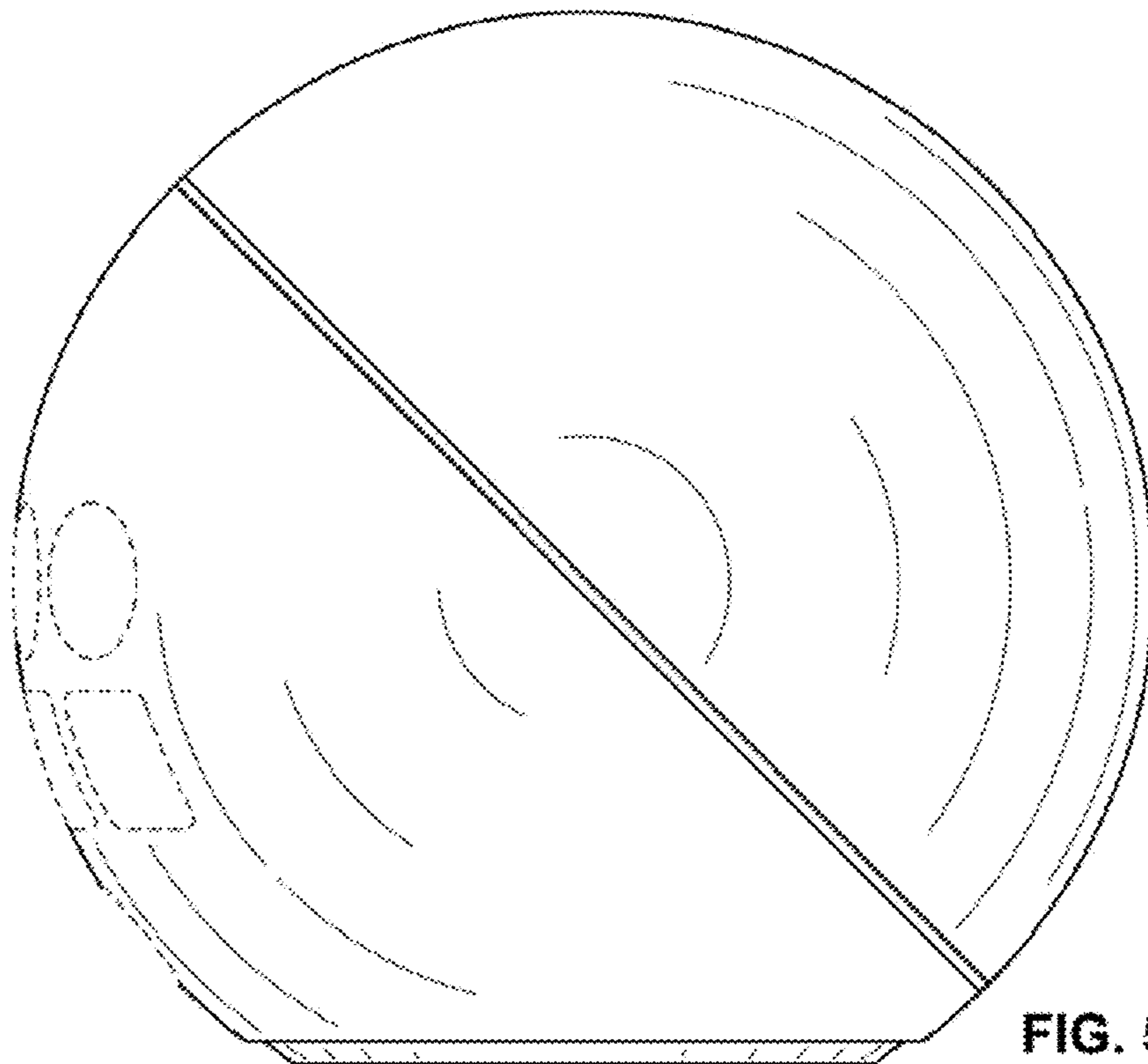


FIG. 5

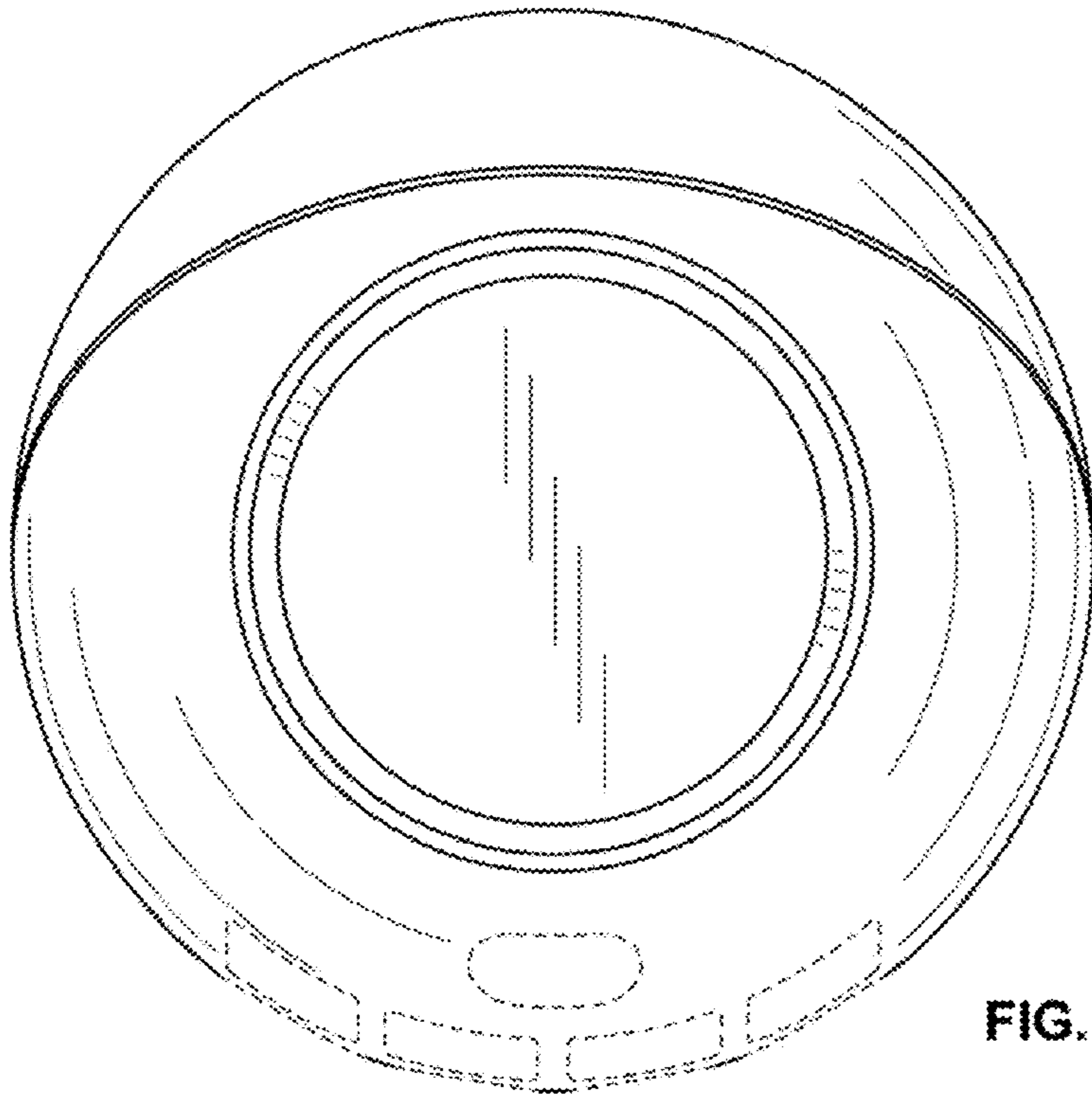


FIG. 6

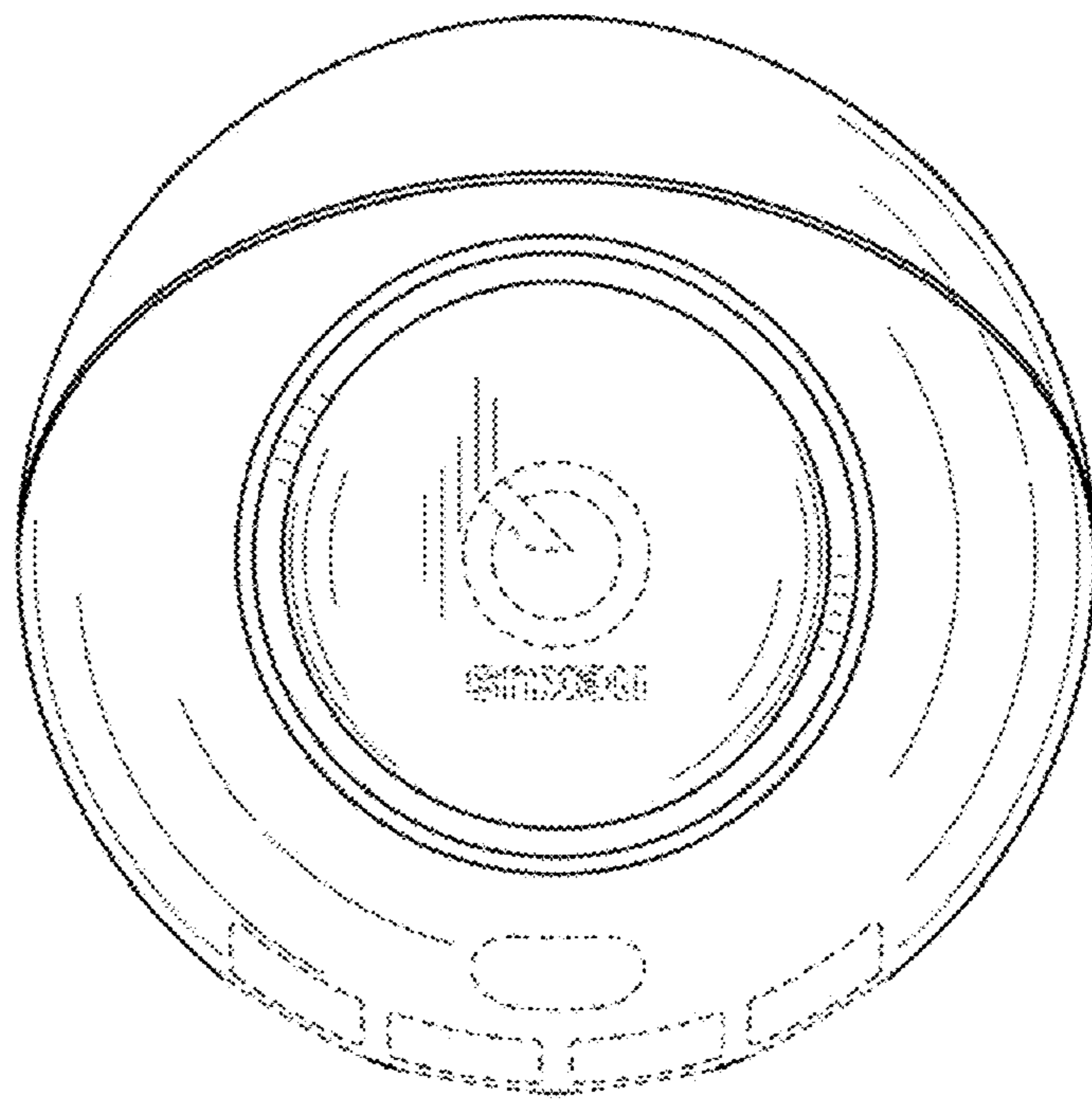


FIG. 7