

US00D696297S

(12) **United States Design Patent**
Fang

(10) **Patent No.:** **US D696,297 S**

(45) **Date of Patent:** **** Dec. 24, 2013**

(54) **EQUIPMENT FOR THE RECORDING OR REPRODUCTION OF SOUNDS OR PICTURES**

(75) Inventor: **Jijun Fang**, Beijing (CN)

(73) Assignee: **Shenzhen Geniatech Inc., Ltd.**,
Shenzhen (CN)

(**) Term: **14 Years**

(21) Appl. No.: **29/412,492**

(22) Filed: **Feb. 3, 2012**

(30) **Foreign Application Priority Data**

Aug. 5, 2011	(EM)	001901646-0001
Aug. 5, 2011	(EM)	001901646-0002
Aug. 5, 2011	(EM)	001901646-0003
Aug. 5, 2011	(EM)	001901646-0004
Aug. 5, 2011	(EM)	001901646-0005
Aug. 5, 2011	(EM)	001901646-0006
Aug. 5, 2011	(EM)	001901646-0007

(51) **LOC (9) Cl.** **14-03**

(52) **U.S. Cl.**
USPC **D14/496**

(58) **Field of Classification Search**
USPC D14/496, 401, 435, 474, 483, 217, 137,
D14/138, 160, 168, 356, 203.1-203.8, 507;
345/156, 169, 173-179, 905;
715/727-729, 864; 710/1, 5, 8; 713/1,
713/600; 455/1.1, 1.7, 73, 344-347, 93, 95,
455/3.01-3.06, 550.1, 573.1; 370/342-344;
369/1, 2, 6-12; 463/43-47; 273/148 B

See application file for complete search history.

(56) **References Cited**

U.S. PATENT DOCUMENTS

D214,381	S	*	6/1969	Rin	D14/496
3,710,035	A	*	1/1973	Tupaj et al.	360/137
D373,582	S	*	9/1996	Hasegawa	D14/496
5,809,520	A	*	9/1998	Edwards et al.	711/115
5,880,721	A	*	3/1999	Yen	725/81
6,052,471	A	*	4/2000	Van Ryzin	381/85
6,591,085	B1	*	7/2003	Grady	455/42
7,090,582	B2	*	8/2006	Danieli et al.	463/35
D559,267	S	*	1/2008	Griffin et al.	D14/496
D572,269	S	*	7/2008	Fullerton et al.	D14/496
D610,589	S	*	2/2010	Chia et al.	D14/496
D643,401	S	*	8/2011	Chen et al.	D14/203.7

* cited by examiner

Primary Examiner — Prabhakar Deshmukh

(74) *Attorney, Agent, or Firm* — Kenyon & Kenyon LLP

(57) **CLAIM**

The ornamental designs for equipment for the recording or reproduction of sounds or pictures, as shown and described.

DESCRIPTION

FIG. 1 is a front perspective view of equipment for the recording or reproduction of sounds or pictures showing my new design;

FIG. 2 is a front view thereof;

FIG. 3 is a back view thereof;

FIG. 4 is a top view thereof;

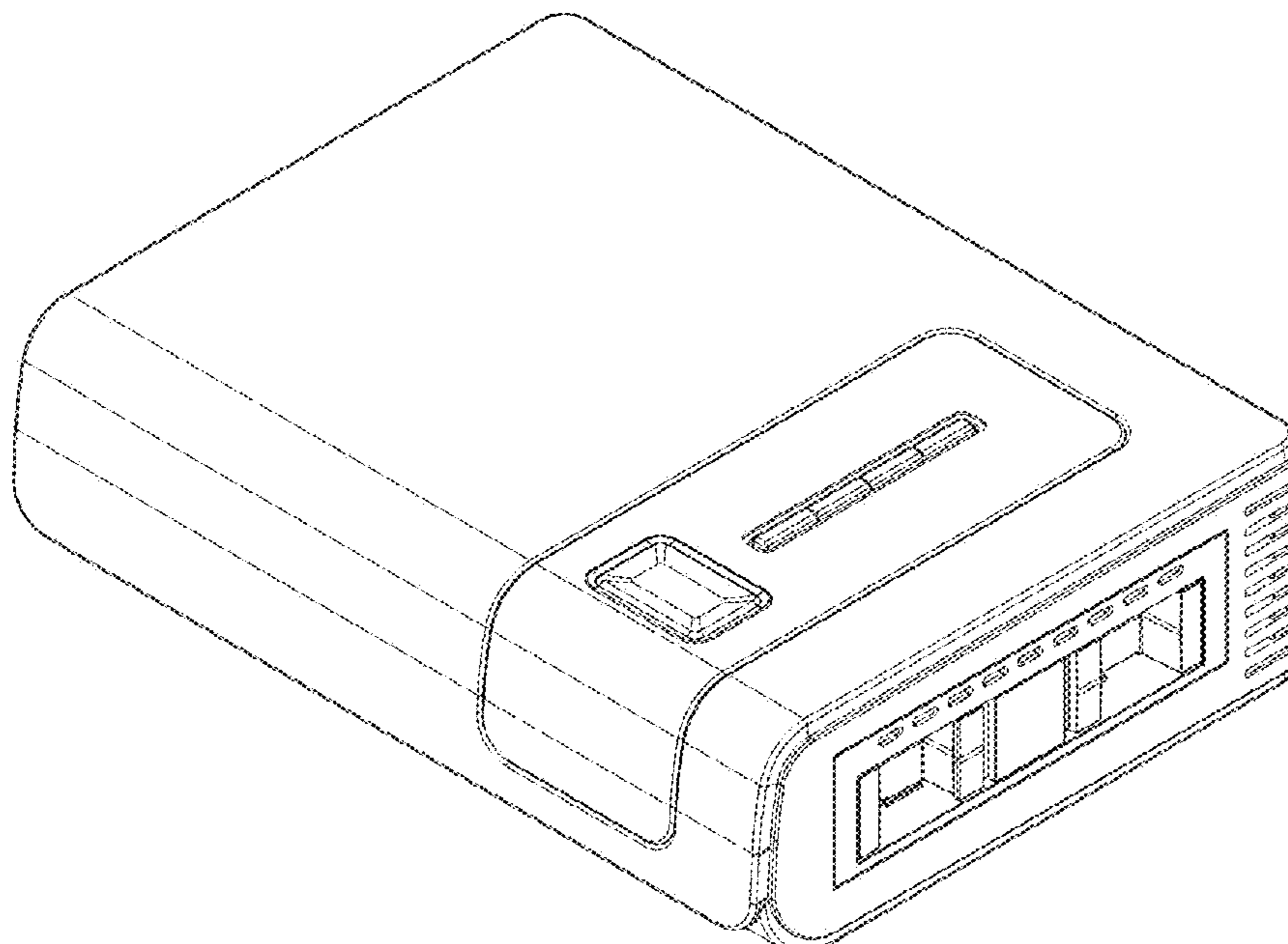
FIG. 5 is a bottom view thereof;

FIG. 6 is a left side view thereof; and,

FIG. 7 is a right side view thereof.

The broken line showing of the Figures is for purposes of illustration and forms no part of the claimed design.

1 Claim, 7 Drawing Sheets



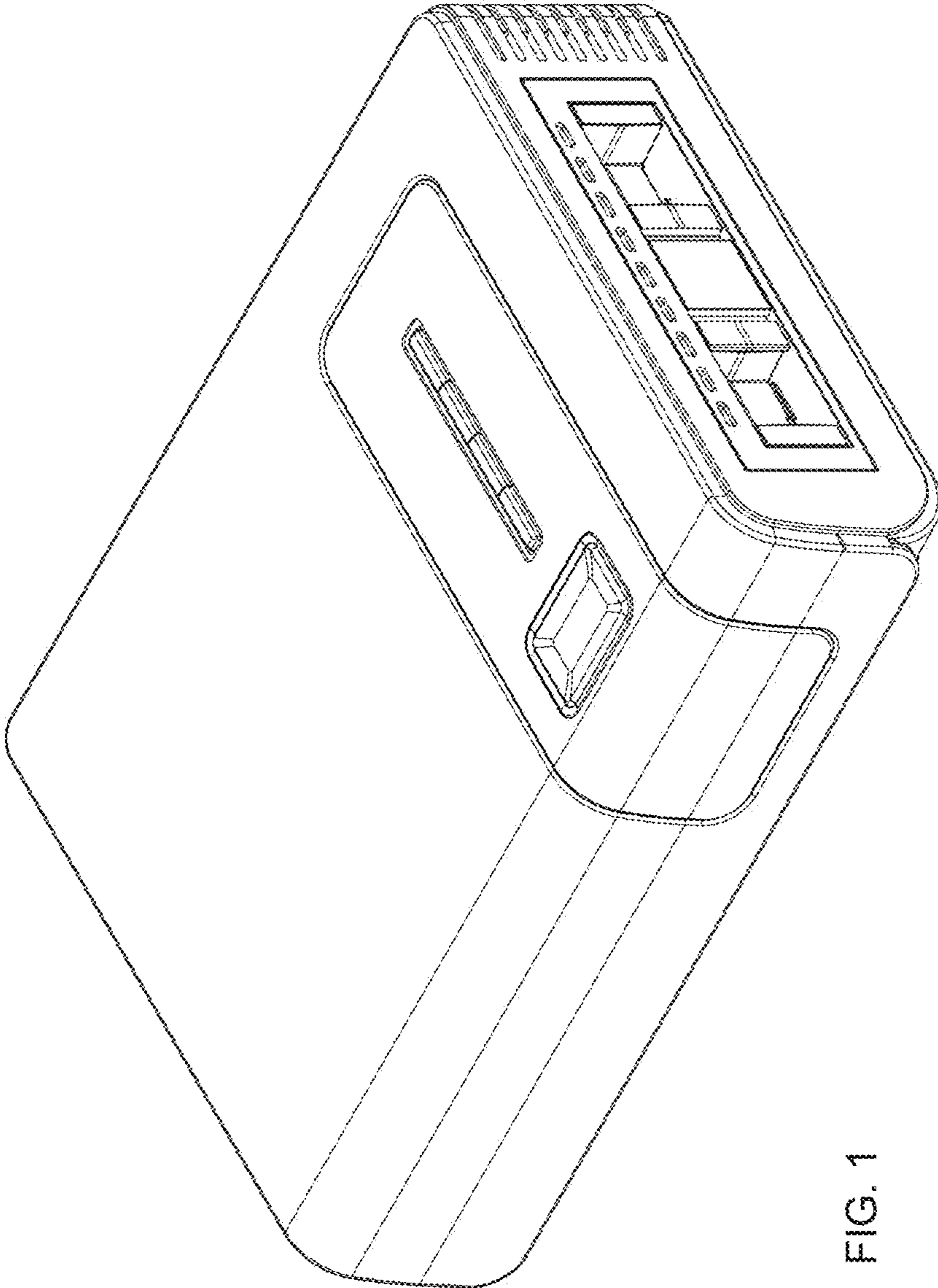


FIG. 1

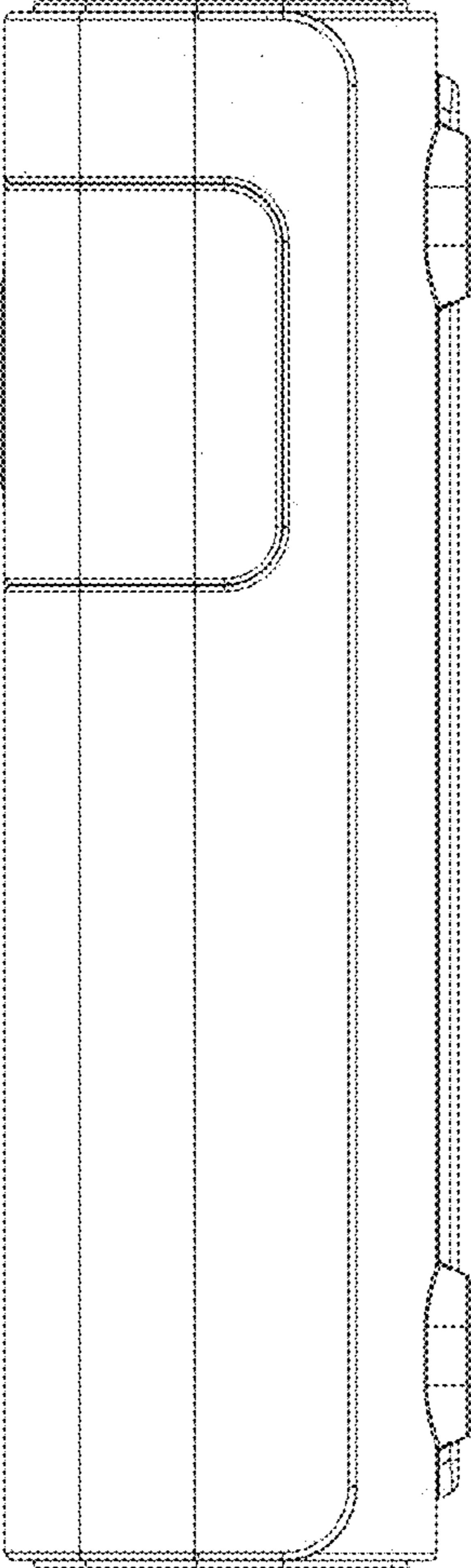


FIG. 2

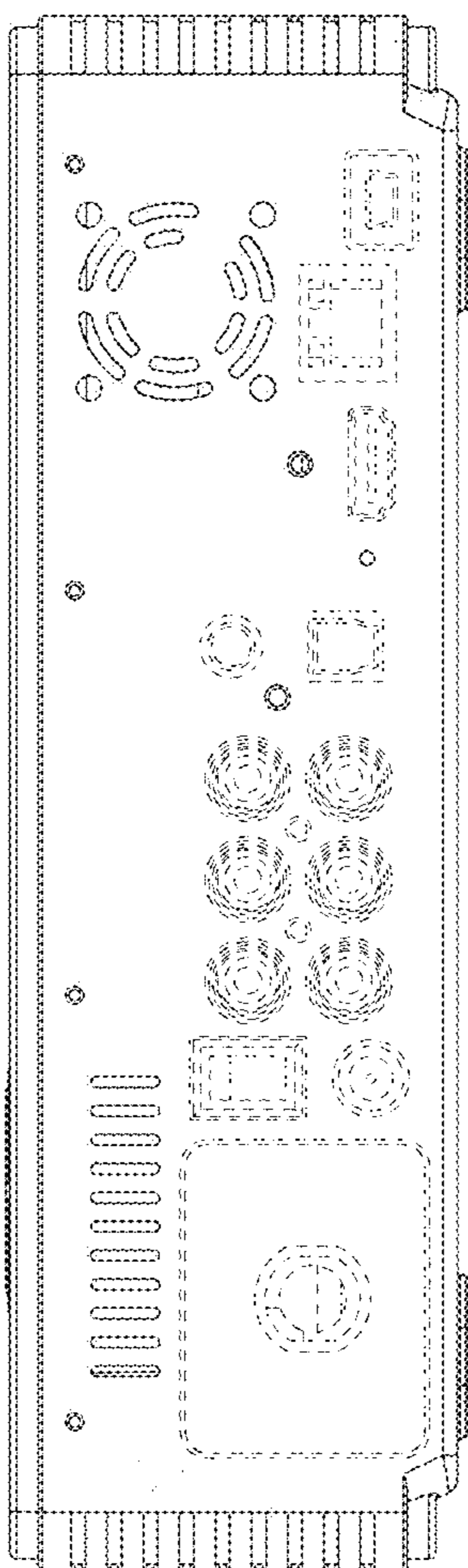


FIG. 3

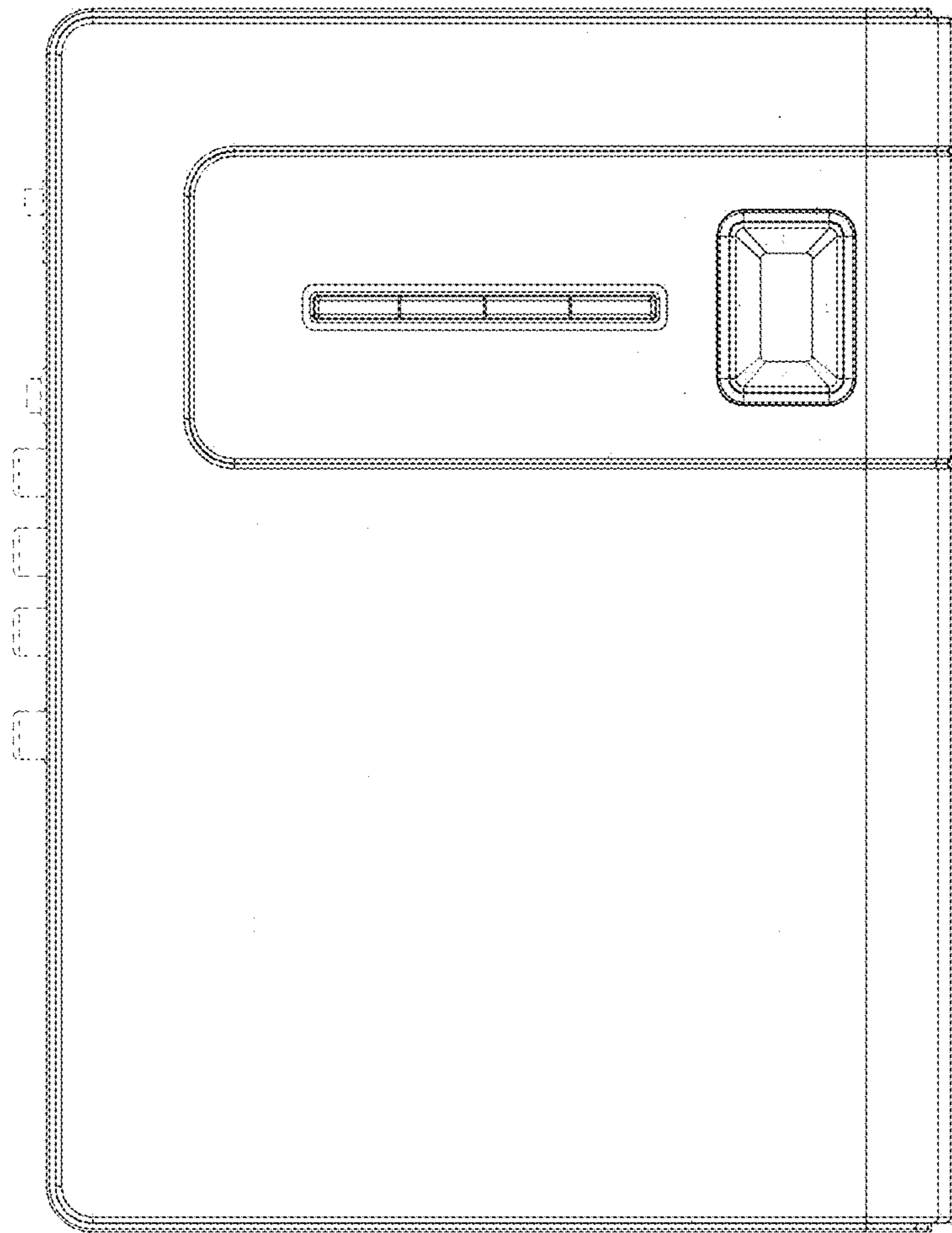


FIG. 4

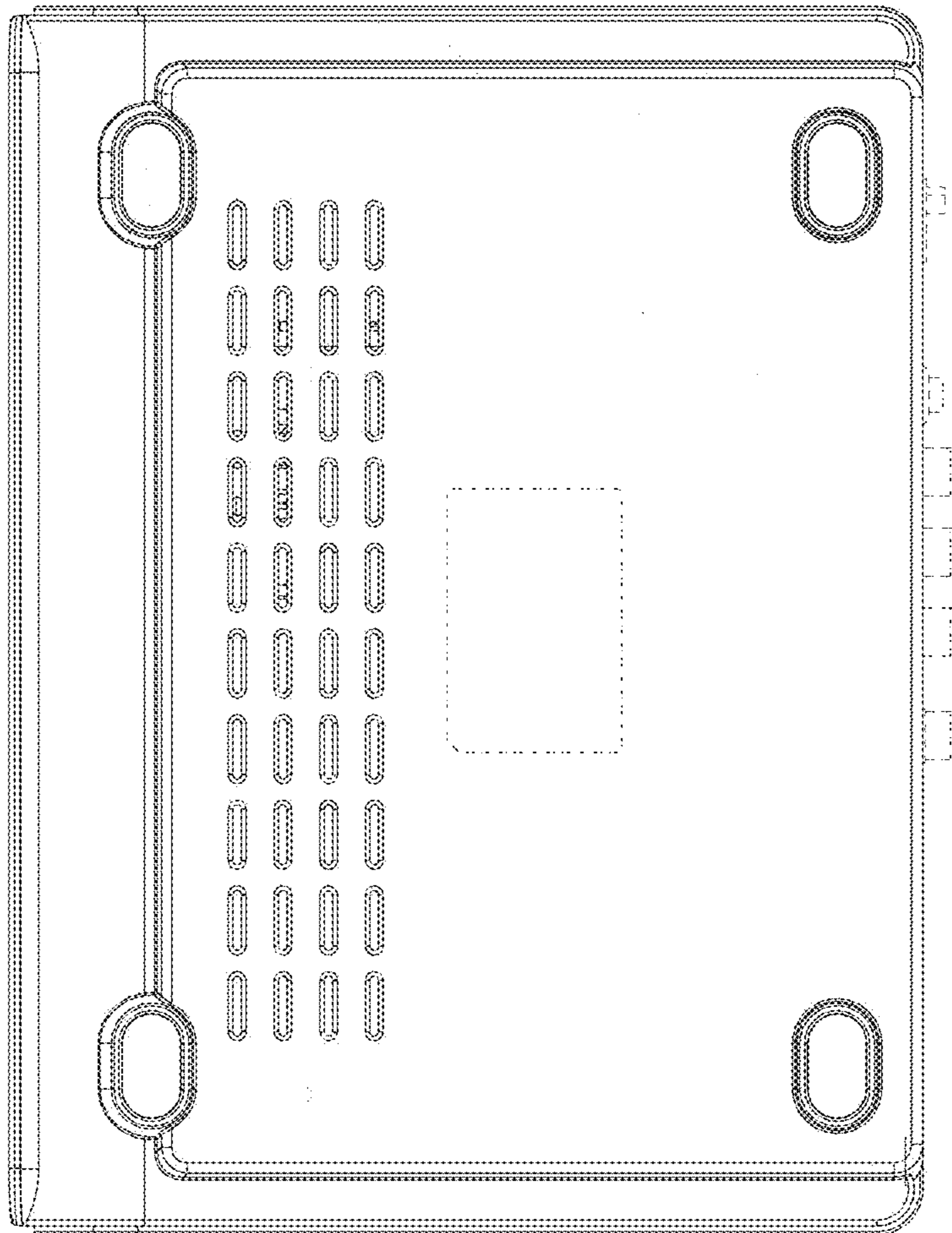


FIG. 5

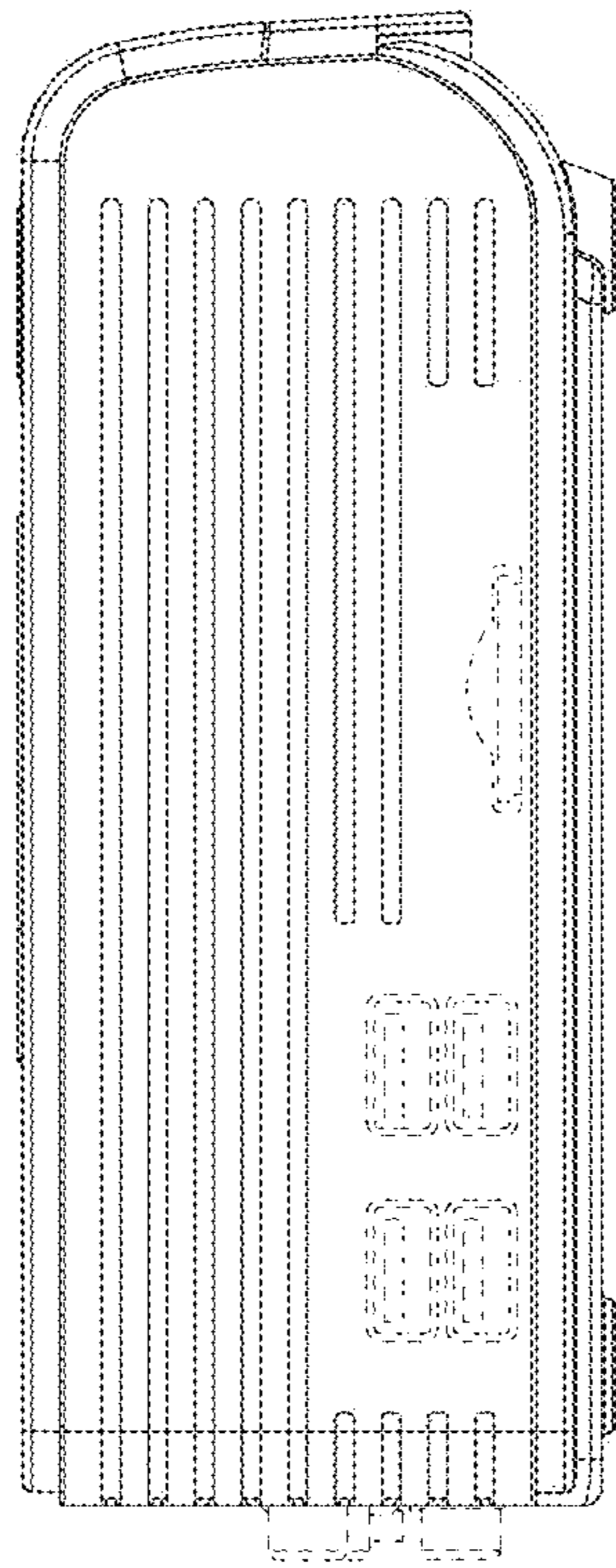


FIG. 6

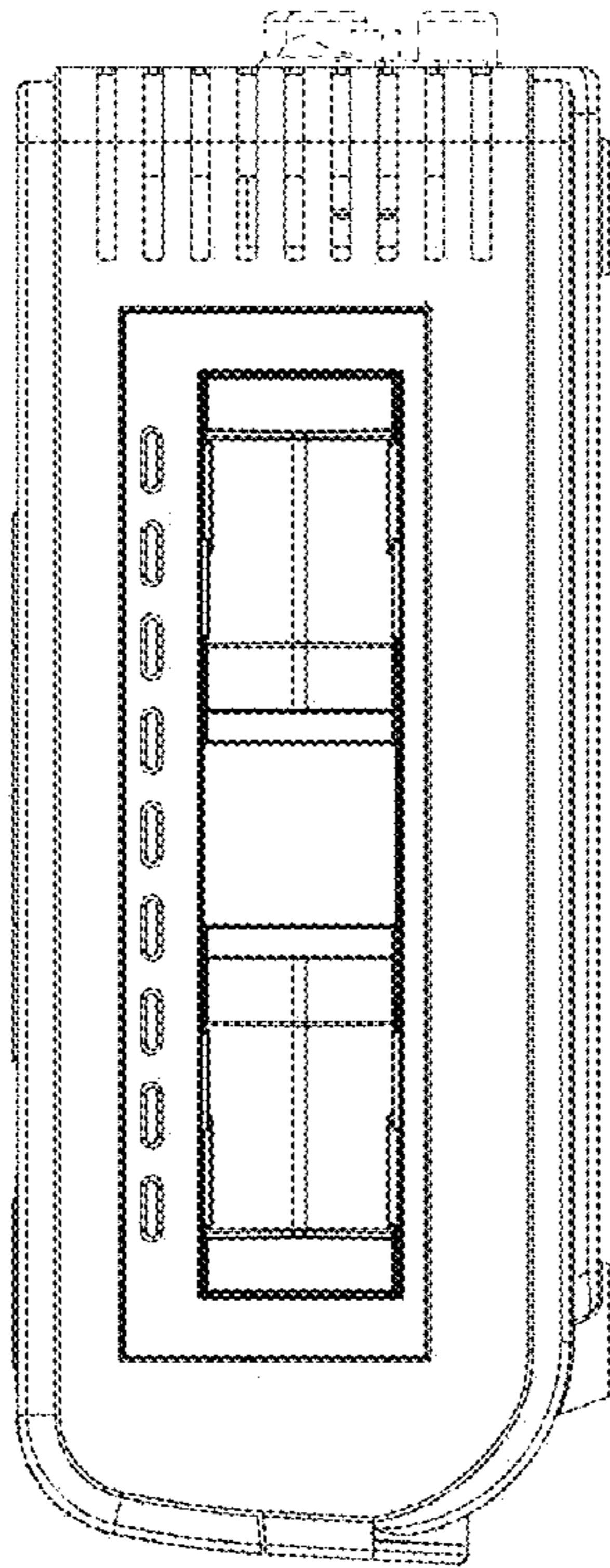


FIG. 7