



US00D696285S

(12) **United States Design Patent**
Hally

(10) **Patent No.:** **US D696,285 S**

(45) **Date of Patent:** **** Dec. 24, 2013**

(54) **DISPLAY SCREEN WITH A TRANSITIONAL GRAPHICAL USER INTERFACE**

(75) Inventor: **J. Craig Hally**, Sammamish, WA (US)

(73) Assignee: **Microsoft Corporation**, Redmond, WA (US)

(**) Term: **14 Years**

(21) Appl. No.: **29/410,354**

(22) Filed: **Jan. 6, 2012**

(51) **LOC (9) Cl.** **14-04**

(52) **U.S. Cl.**
USPC **D14/487**

(58) **Field of Classification Search**
USPC D14/485-95; D18/24-33; D19/6, 52;
D20/11; D21/324-33; 715/700-867,
715/973-77

See application file for complete search history.

(56) **References Cited**

U.S. PATENT DOCUMENTS

D550,689 S *	9/2007	Vigesaa	D14/487
D557,272 S *	12/2007	Glaser et al.	D14/487
D585,453 S *	1/2009	Chen et al.	D14/485
D593,112 S *	5/2009	Danton	D14/485
D605,657 S *	12/2009	Danton	D14/487
D618,695 S *	6/2010	Bennett et al.	D14/485
D626,560 S *	11/2010	Fitzmaurice et al.	D14/488
D643,438 S *	8/2011	Gardner et al.	D14/486
8,018,432 B1 *	9/2011	Chakravarty et al.	345/156
D650,799 S *	12/2011	Wantland et al.	D14/493
D650,800 S *	12/2011	Impas et al.	D14/493

D651,612 S *	1/2012	Impas et al.	D14/489
D652,053 S *	1/2012	Impas et al.	D14/489
D656,950 S *	4/2012	Shallcross et al.	D14/488
D656,951 S *	4/2012	Weir et al.	D14/488
D667,420 S *	9/2012	Kriese et al.	D14/487
D667,421 S *	9/2012	Kriese et al.	D14/487
D667,839 S *	9/2012	Kriese et al.	D14/487
D676,057 S *	2/2013	Lee	D14/487
2010/0037170 A1 *	2/2010	Poole	715/772
2010/0313158 A1 *	12/2010	Lee et al.	715/769

* cited by examiner

Primary Examiner — Melanie H Tung

(74) *Attorney, Agent, or Firm* — Banner & Witcoff, Ltd.

(57) **CLAIM**

The ornamental design for a display screen with a transitional graphical user interface, as shown and described.

DESCRIPTION

FIG. 1 is the first image in a sequence for a display screen with a transitional graphical user interface showing the new design; and

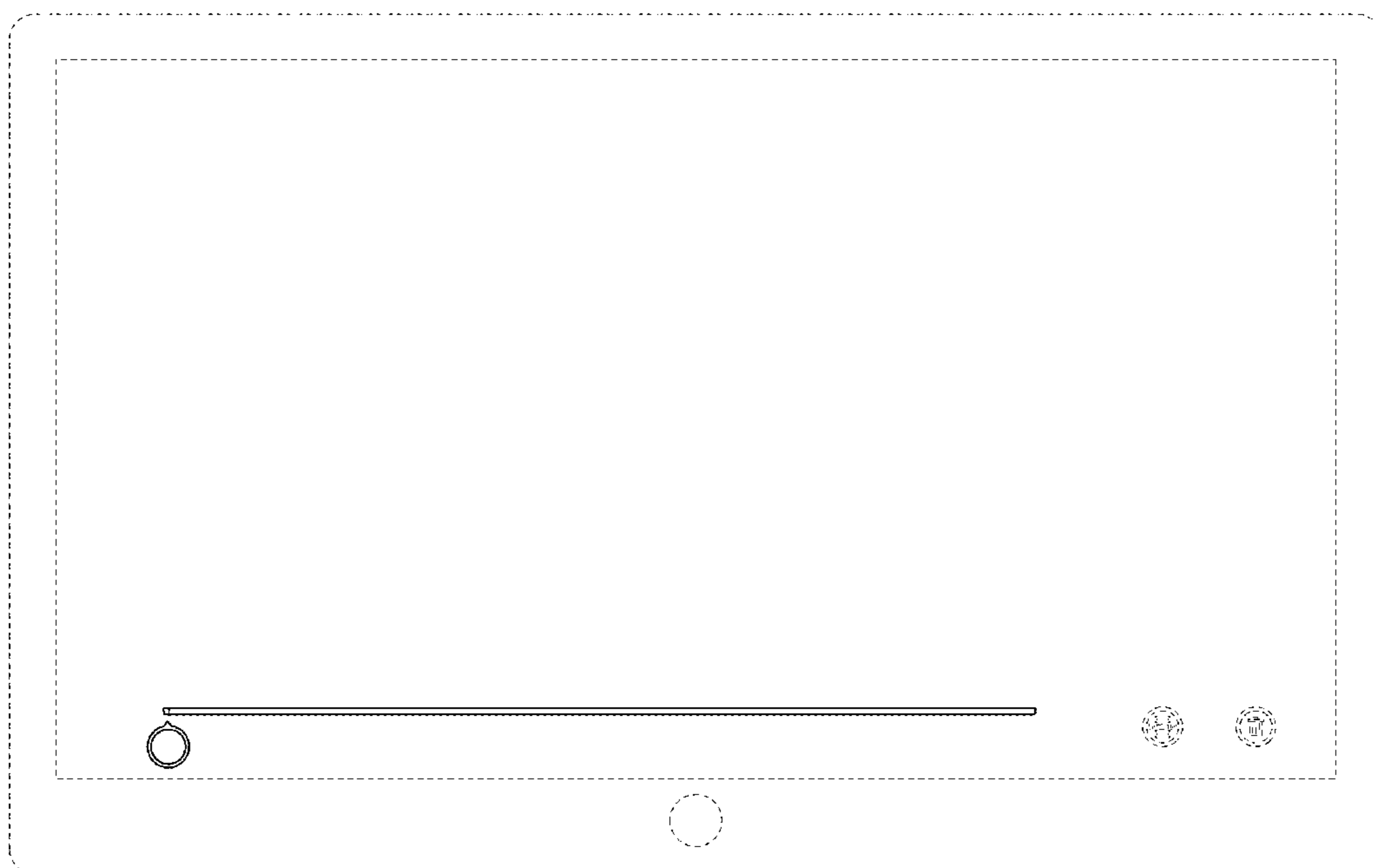
FIG. 2 is the second image thereof; and,

FIG. 3 is the third image thereof.

The appearance of the image transitions sequentially between the images shown in FIGS. 1-3. The process or period in which an image transitions to another forms no part of the claimed design.

The broken line showing of the remainder of the transitional graphical user interface and the display screen is for environmental purposes only and forms no part of the claimed design.

1 Claim, 3 Drawing Sheets



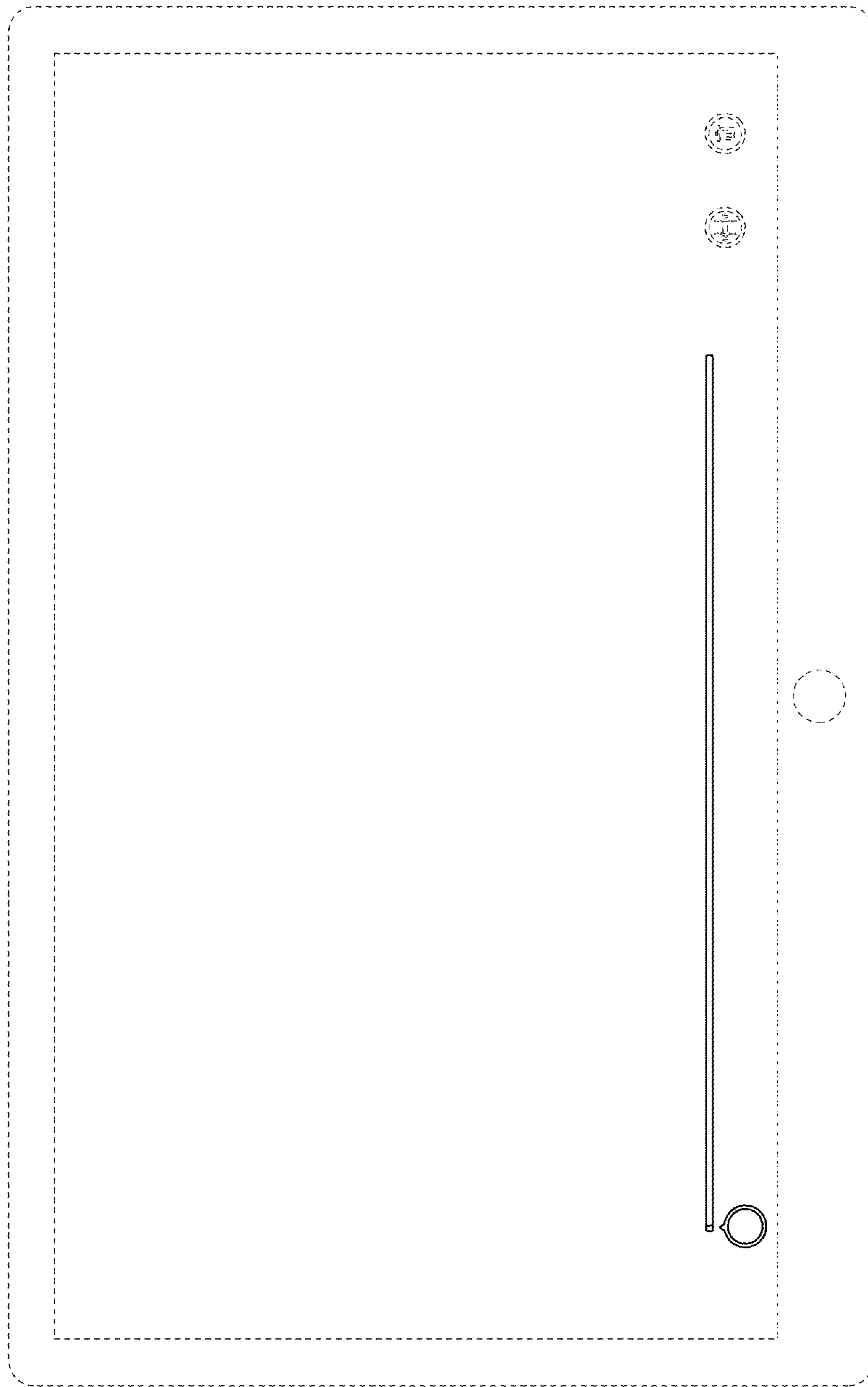


FIG. 1

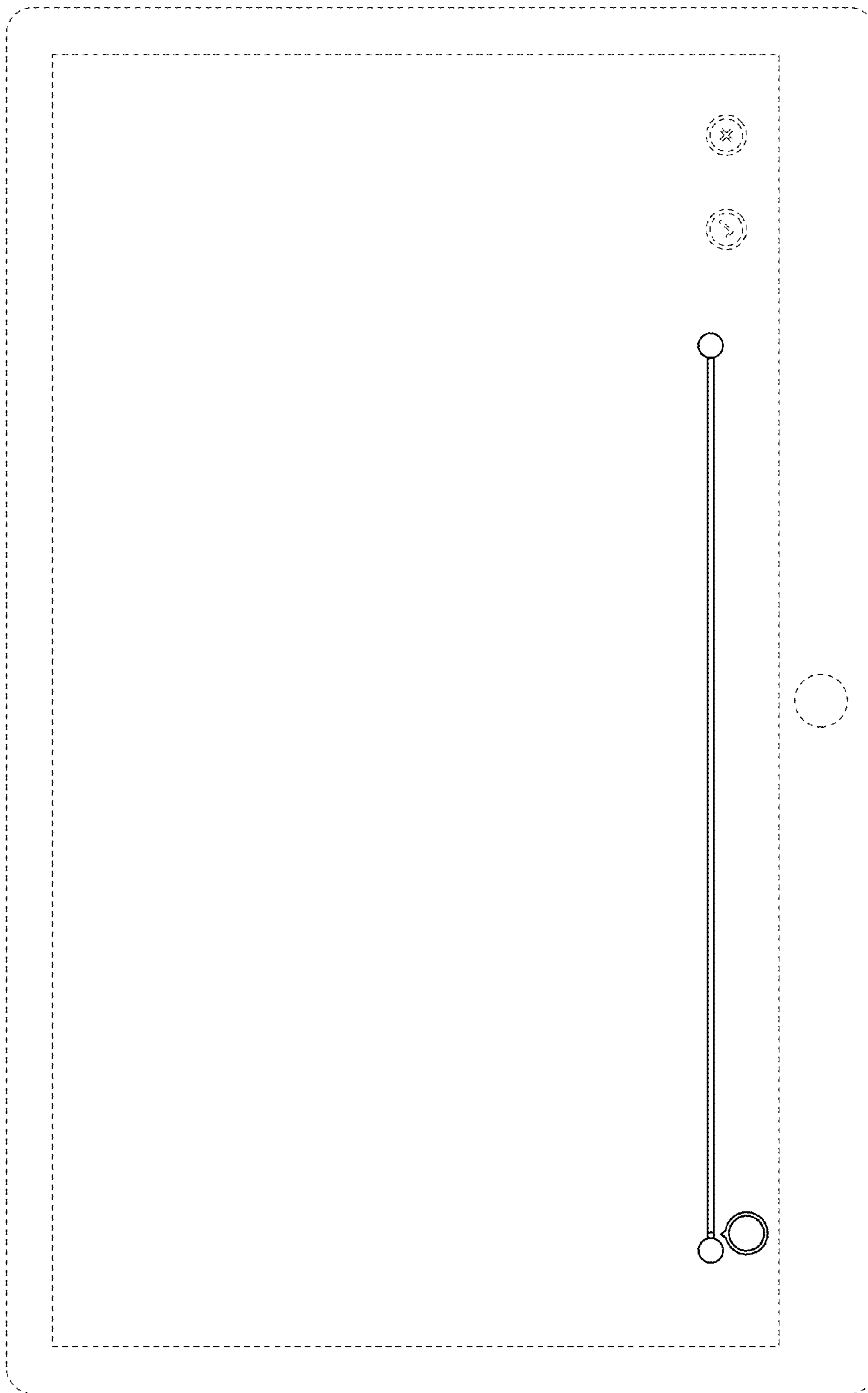


FIG. 2

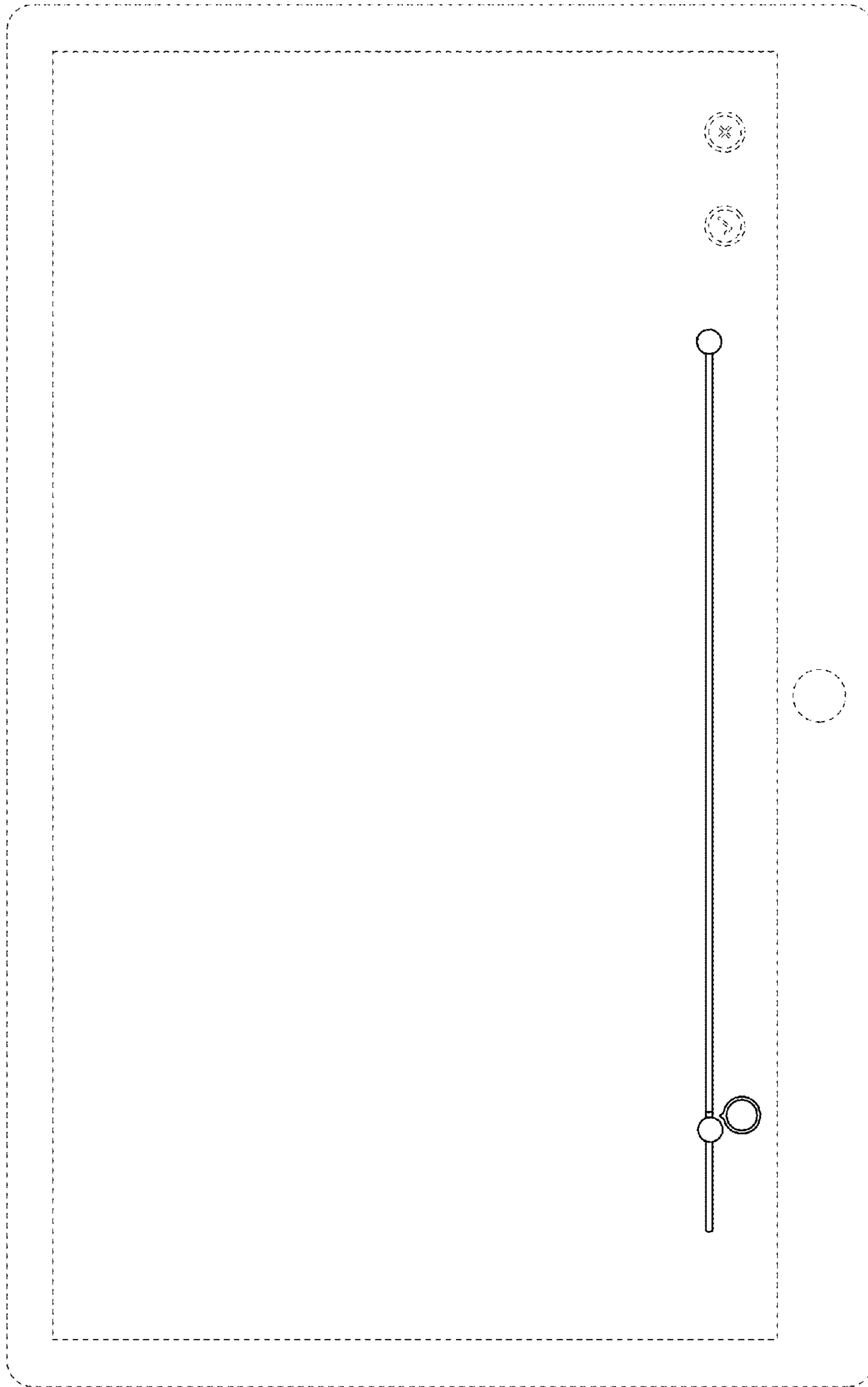


FIG. 3