

US00D696261S

(12) **United States Design Patent**
Weldon

(10) **Patent No.:** **US D696,261 S**

(45) **Date of Patent:** **** Dec. 24, 2013**

(54) **APPARATUS FOR SUPPORTING AN ELECTRONIC DEVICE**

(71) Applicant: **Peter Marvin Weldon**, Bartow, FL (US)

(72) Inventor: **Peter Marvin Weldon**, Bartow, FL (US)

(**) Term: **14 Years**

(21) Appl. No.: **29/455,254**

(22) Filed: **May 17, 2013**

(51) **LOC (9) Cl.** **08-07**

(52) **U.S. Cl.**
USPC **D14/447**

(58) **Field of Classification Search**
USPC D14/447, 432, 434, 439, 448, 451, 452, D14/457, 239, 250, 251, 253, 238.1, 440, D14/205, 223, 224, 224.1, 229; D13/108; D6/406.1, 406.2, 406.3, 406.4, 406.5, D6/406.6, 601; 248/917-924, 363, 445, 248/447, 451, 455, 456, 460, 371, 166, 434, 248/188.6; 361/726, 679.02, 679.09, 361/679.21, 679.22, 679.26, 679.27, 361/679.29, 679.3, 679.55, 679.56
See application file for complete search history.

(56) **References Cited**

U.S. PATENT DOCUMENTS

2,006,169	A	5/1934	Harris-Jones	
3,239,850	A	3/1966	Kiss	
3,809,352	A	5/1974	Mathias	
3,950,793	A	4/1976	Adams	
D250,439	S	12/1978	Holstein	
4,199,125	A	4/1980	Simon	
D263,458	S *	3/1982	Milizia	D12/133
D373,336	S *	9/1996	Classen	D12/133
5,669,313	A	9/1997	Cottingham	
5,761,753	A	6/1998	Talbert	
D410,910	S *	6/1999	Martell	D14/457

D417,809	S	12/1999	Hofman	
6,058,522	A	5/2000	Thakrar	
D426,409	S *	6/2000	Clark et al.	D6/511
D435,377	S *	12/2000	Galati et al.	D6/511
D448,225	S	9/2001	Wright	
D487,546	S *	3/2004	Collard	D6/406.3
D499,574	S *	12/2004	Spicer	D6/406.3
D557,698	S *	12/2007	Lye	D14/447
D573,364	S *	7/2008	Johnson	D6/406.3
D630,452	S *	1/2011	Robbins et al.	D6/406.3
D639,815	S *	6/2011	Lye	D14/447
D678,886	S *	3/2013	Heckler	D14/447
D680,122	S *	4/2013	Yang	D14/447

* cited by examiner

Primary Examiner — Angela J Lee

(74) *Attorney, Agent, or Firm* — Lonnie R. Drayer

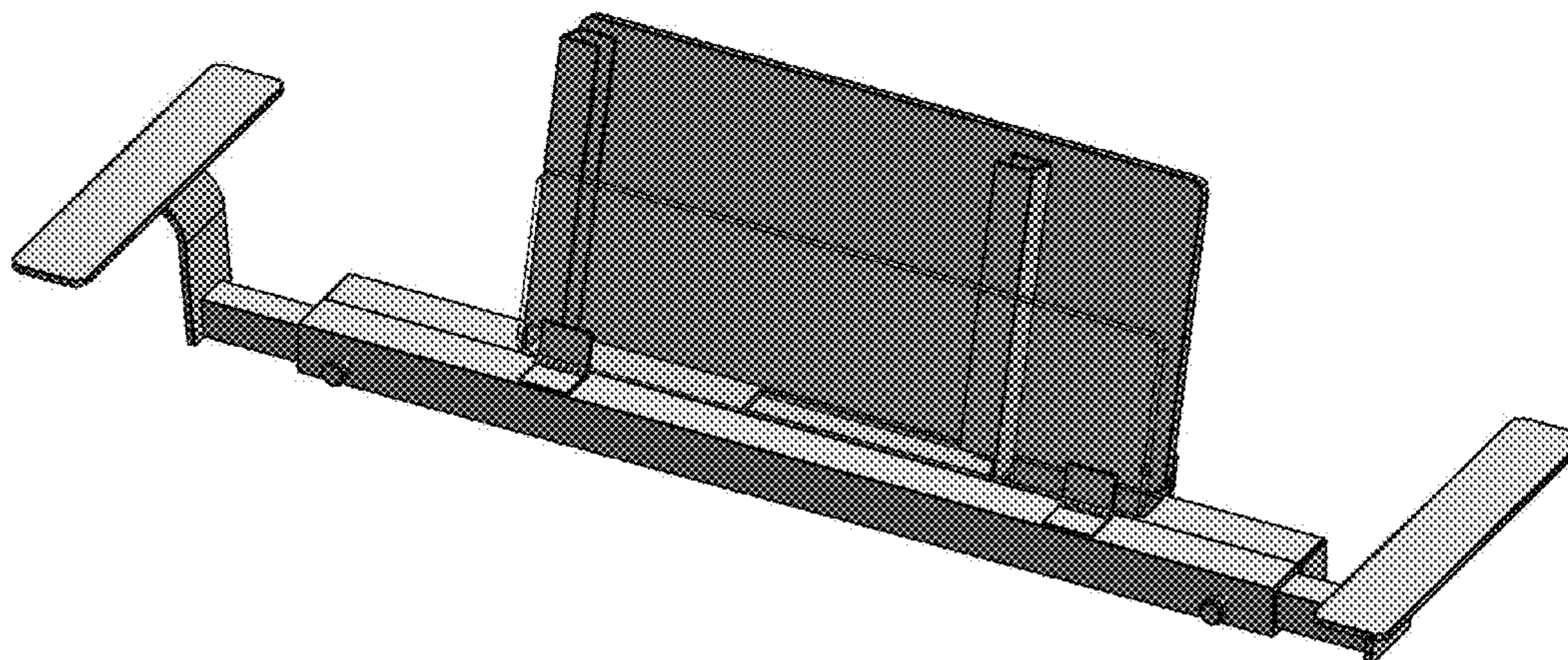
(57) **CLAIM**

The ornamental design for an apparatus for supporting an electronic device, as shown and described.

DESCRIPTION

FIG. 1 is a front perspective view of an apparatus for supporting an electronic device;
 FIG. 2 is a rear perspective view of the apparatus for supporting an electronic device;
 FIG. 3 is a front view of the apparatus for supporting an electronic device;
 FIG. 4 is a rear view of the apparatus for supporting an electronic device;
 FIG. 5 is a top view looking down on of the apparatus for supporting an electronic device;
 FIG. 6 is a bottom view looking up towards the apparatus for supporting an electronic device;
 FIG. 7 is a side view looking towards one end of the apparatus for supporting an electronic device; and,
 FIG. 8 is a side view looking towards an opposite end of the apparatus for supporting an electronic device.

1 Claim, 8 Drawing Sheets



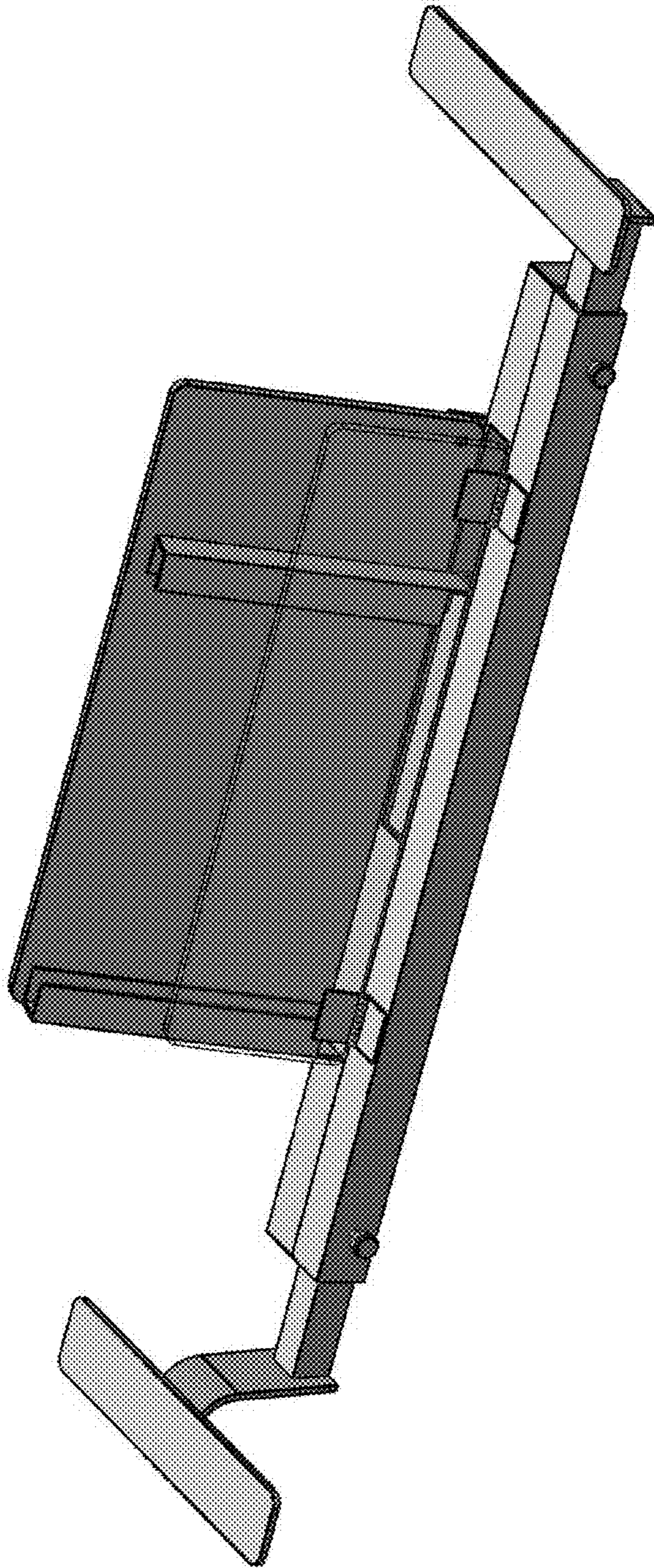


Fig. 1

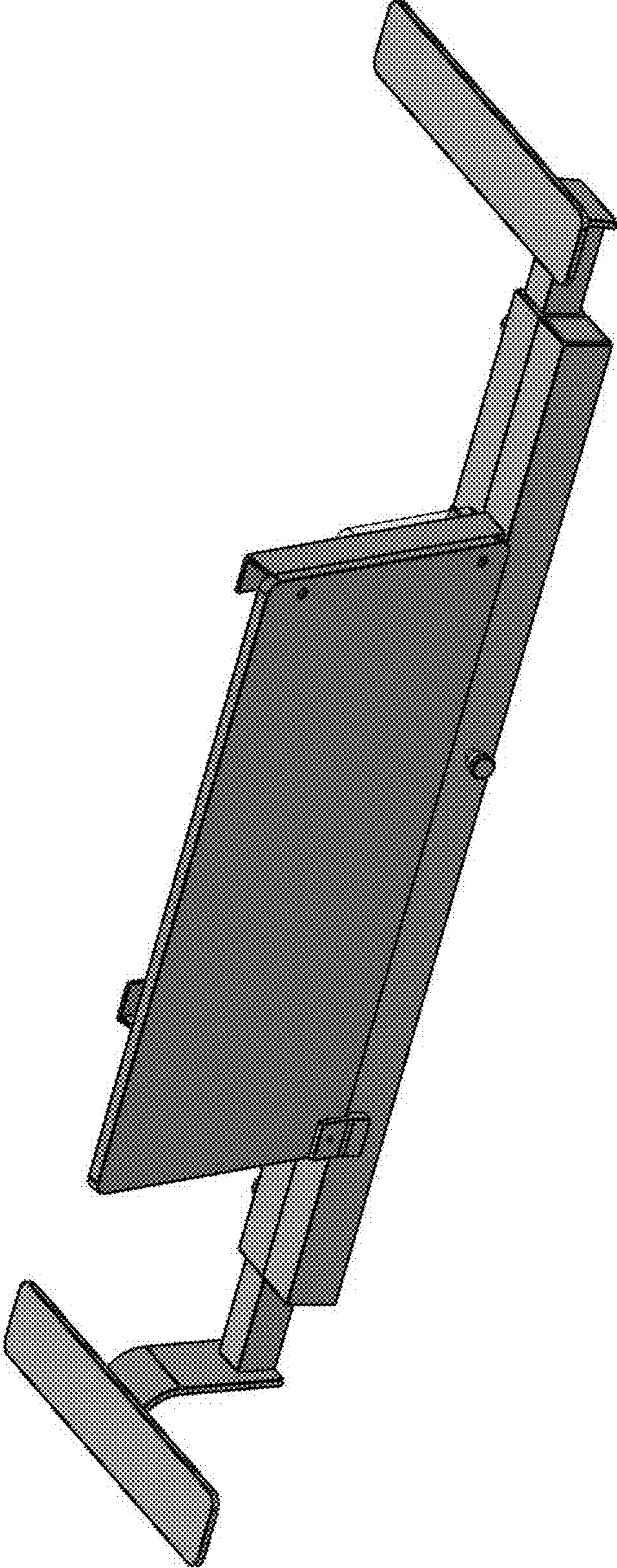


Fig. 2

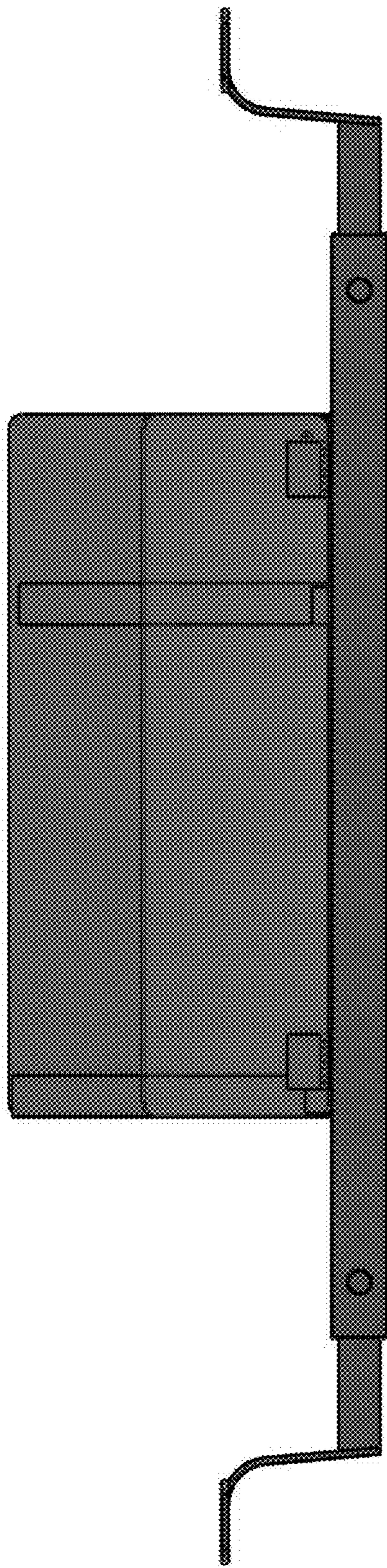


Fig. 3

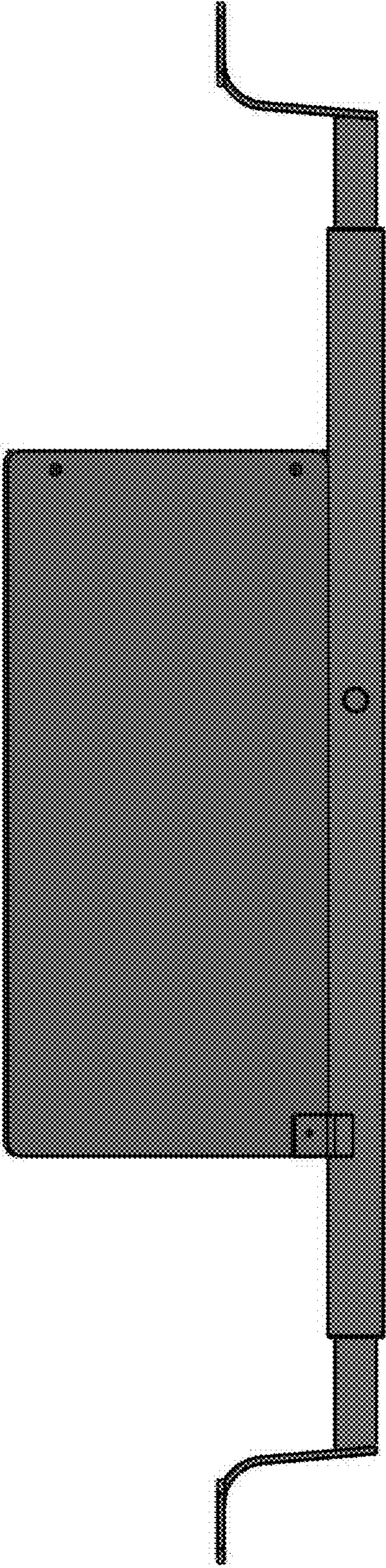


Fig. 4

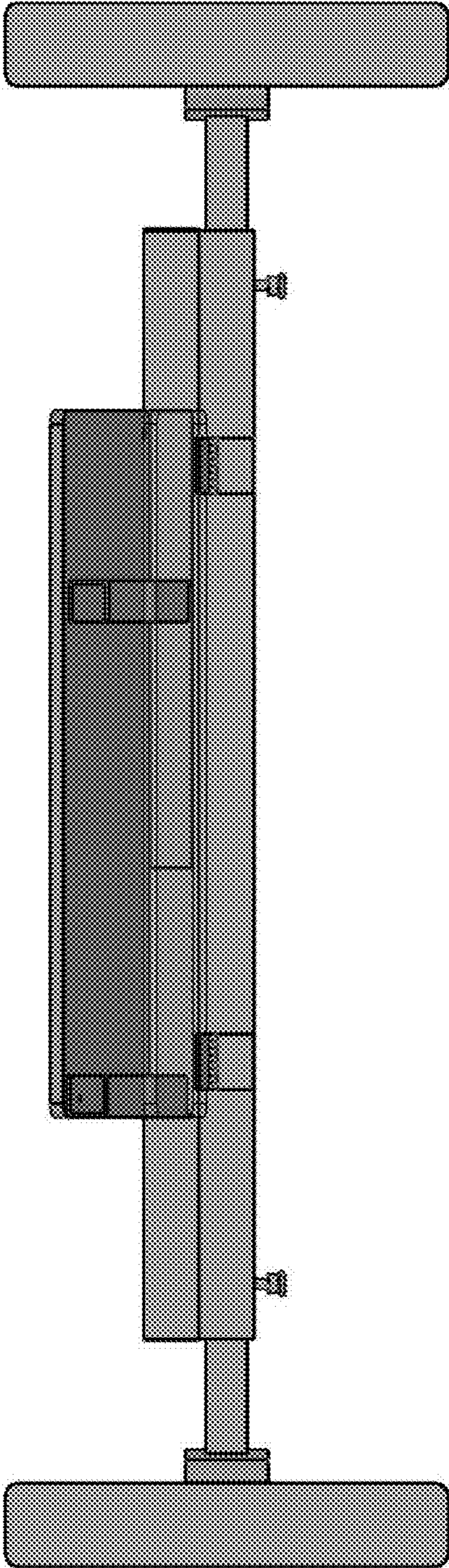


Fig. 5

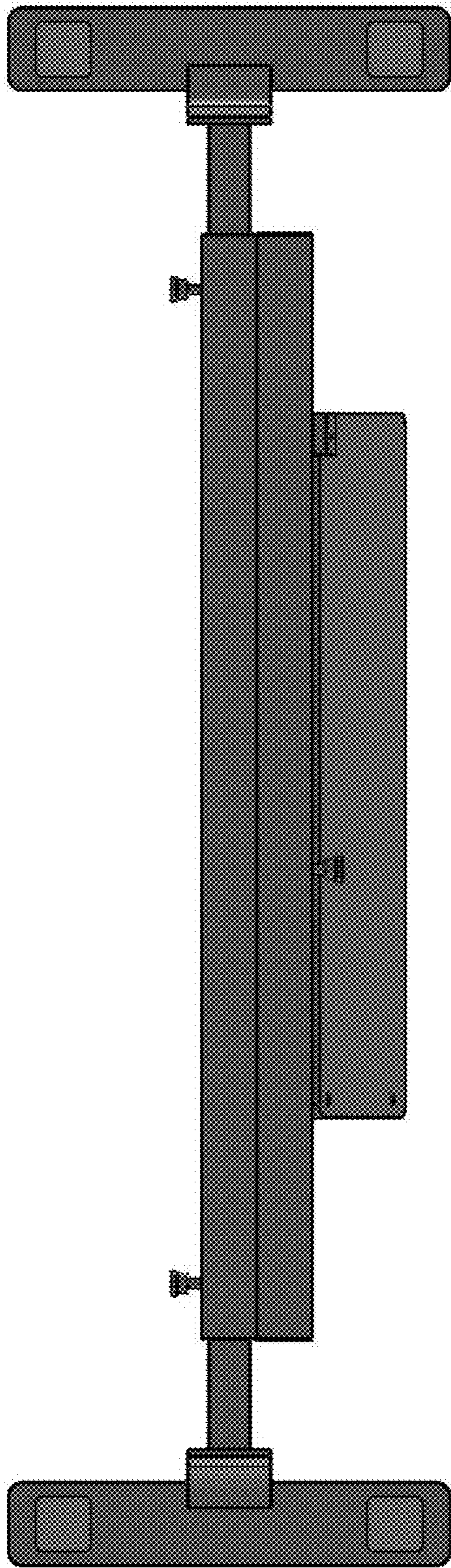


Fig. 6

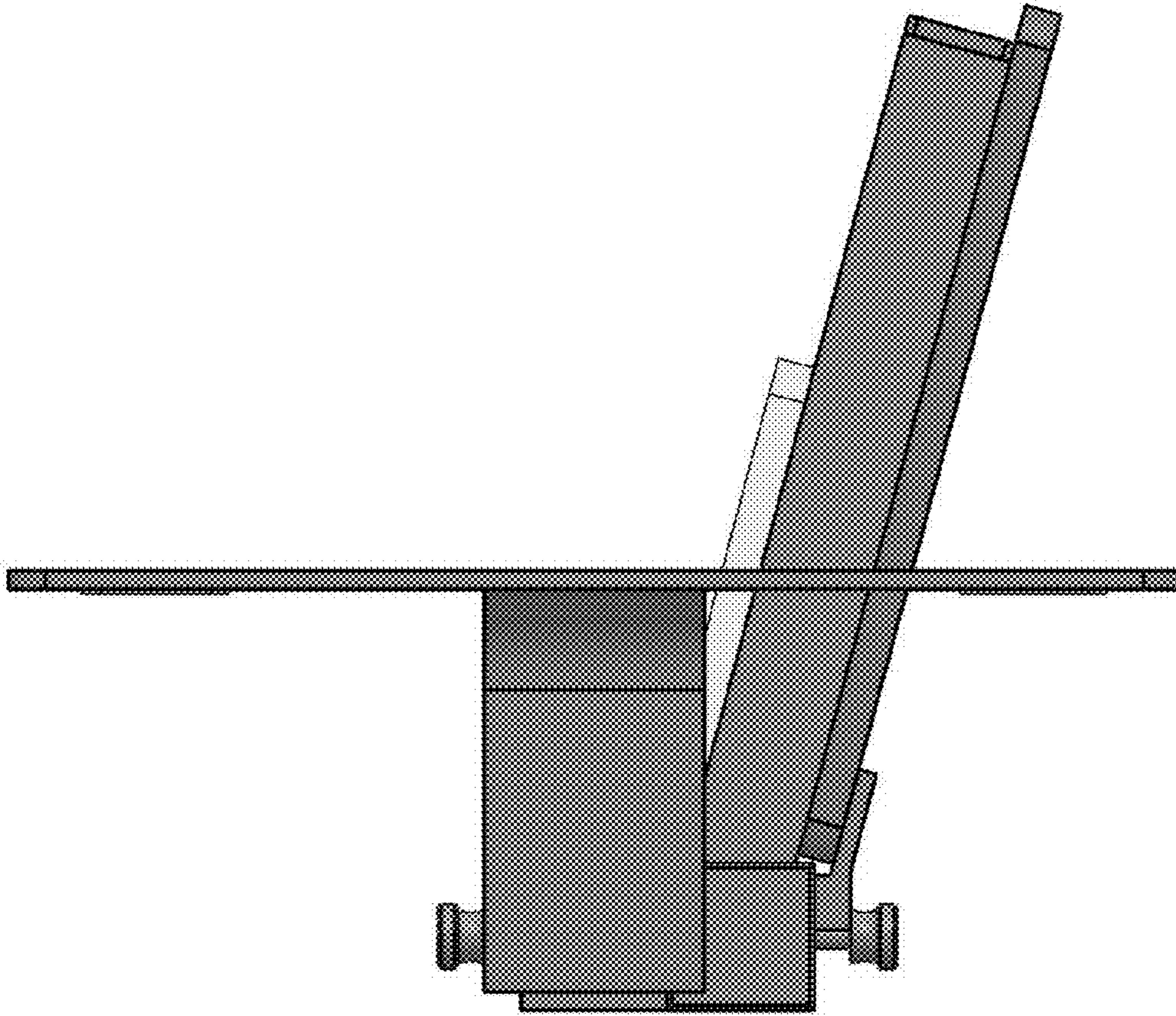


Fig. 7

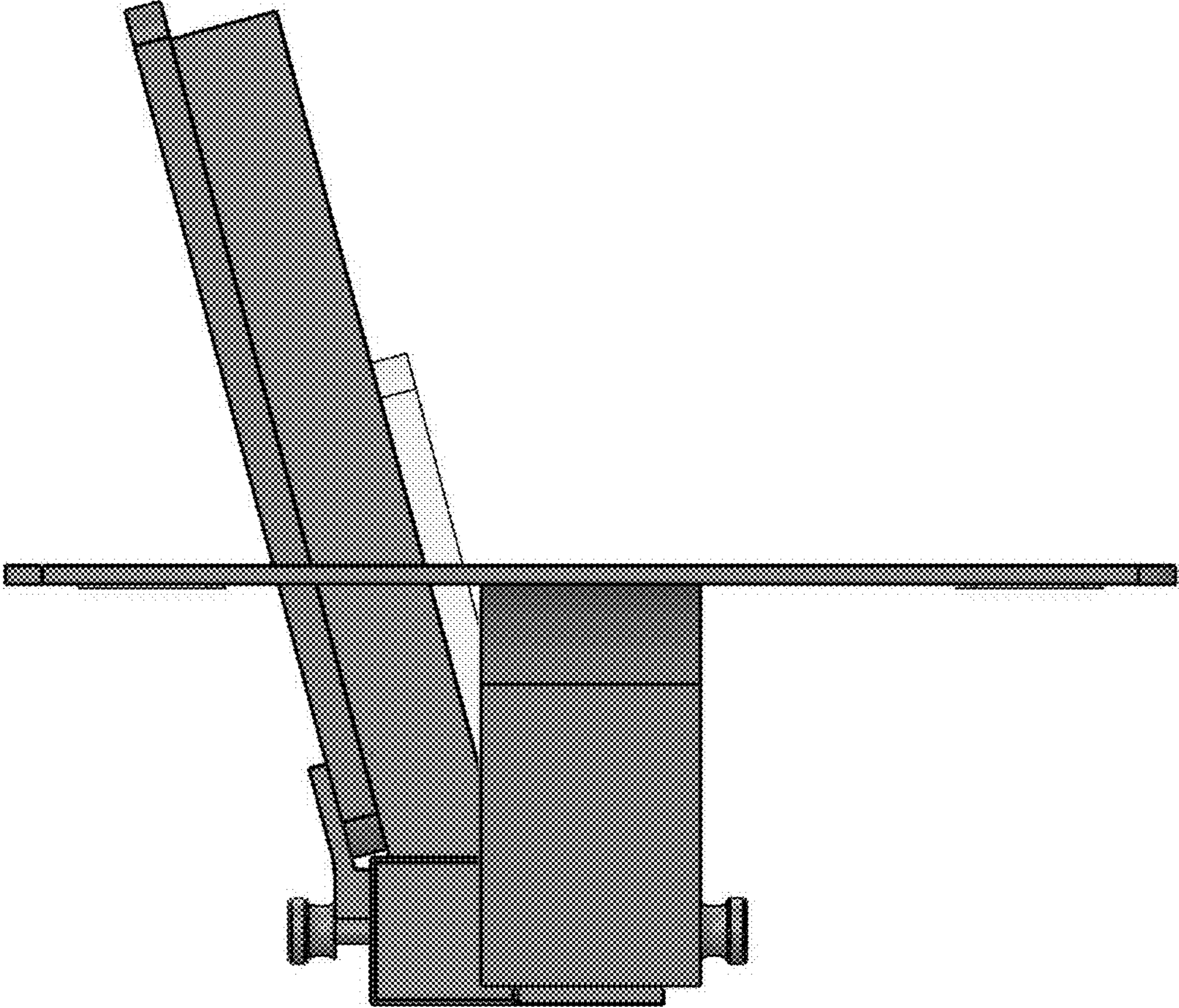


Fig. 8