



US00D696260S

(12) **United States Design Patent**  
**Merea**

(10) **Patent No.:** **US D696,260 S**

(45) **Date of Patent:** **\*\* Dec. 24, 2013**

(54) **STAND FOR TABLET COMPUTER**

(71) Applicant: **Santiago Merea**, Minneapolis, MN (US)

(72) Inventor: **Santiago Merea**, Minneapolis, MN (US)

(73) Assignee: **The Orange Chef Company**, San Francisco, CA (US)

(\*\*) Term: **14 Years**

(21) Appl. No.: **29/444,901**

(22) Filed: **Feb. 5, 2013**

(51) **LOC (9) Cl.** ..... **08-07**

(52) **U.S. Cl.**  
USPC ..... **D14/447**

(58) **Field of Classification Search**  
USPC ..... D14/447, 432, 433, 439, 440, 451, 452,  
D14/239, 217, 224.1, 251, 252, 253, 457,  
D14/458, 459, 460, 461, 434, 205, 209.1,  
D14/223; D6/406.1, 406.2, 406.3, 406.4,  
D6/406.5, 406.6; D12/415; 361/679.09,  
361/679.21, 679.22, 679.24, 679.26,  
361/679.27, 679.28, 679.3, 679.55, 679.56,  
361/709; 248/917-924, 133, 136, 139, 150,  
248/176.1, 188.6; D13/108, 110; D8/363;  
D21/333

See application file for complete search history.

(56) **References Cited**

**U.S. PATENT DOCUMENTS**

D393,451 S \* 4/1998 Faranda et al. .... D14/434  
D413,872 S \* 9/1999 Jessen ..... D14/447  
D574,375 S \* 8/2008 Prest et al. .... D14/253  
D579,455 S \* 10/2008 Chu ..... D14/447

D598,920 S \* 8/2009 Fujino et al. .... D14/447  
D621,406 S \* 8/2010 Hoehn et al. .... D14/447  
D637,601 S \* 5/2011 Symons ..... D14/447  
D647,525 S \* 10/2011 Seto ..... D14/434  
D647,907 S \* 11/2011 Perry et al. .... D14/434  
D661,308 S \* 6/2012 Capozzoli, II ..... D14/447  
D668,662 S \* 10/2012 Suiter ..... D14/447  
D672,350 S \* 12/2012 Gioscia et al. .... D14/434  
D672,355 S \* 12/2012 Lee et al. .... D14/447

\* cited by examiner

*Primary Examiner* — Angela J Lee

(74) *Attorney, Agent, or Firm* — Pauly, DeVries Smith & Deffner, L.L.C.

(57) **CLAIM**

I claim the ornamental design for a stand for tablet computer, as shown and described.

**DESCRIPTION**

FIG. 1 is a perspective view of one embodiment of a stand for tablet computer.

FIG. 2 is a right side view thereof.

FIG. 3 is a left side view thereof.

FIG. 4 is a front view thereof.

FIG. 5 is a rear view thereof.

FIG. 6 is a top view thereof.

FIG. 7 is a bottom view thereof.

FIG. 8 is a perspective view of a second embodiment of a stand for tablet computer.

FIG. 9 is a right side view thereof.

FIG. 10 is a left side view thereof.

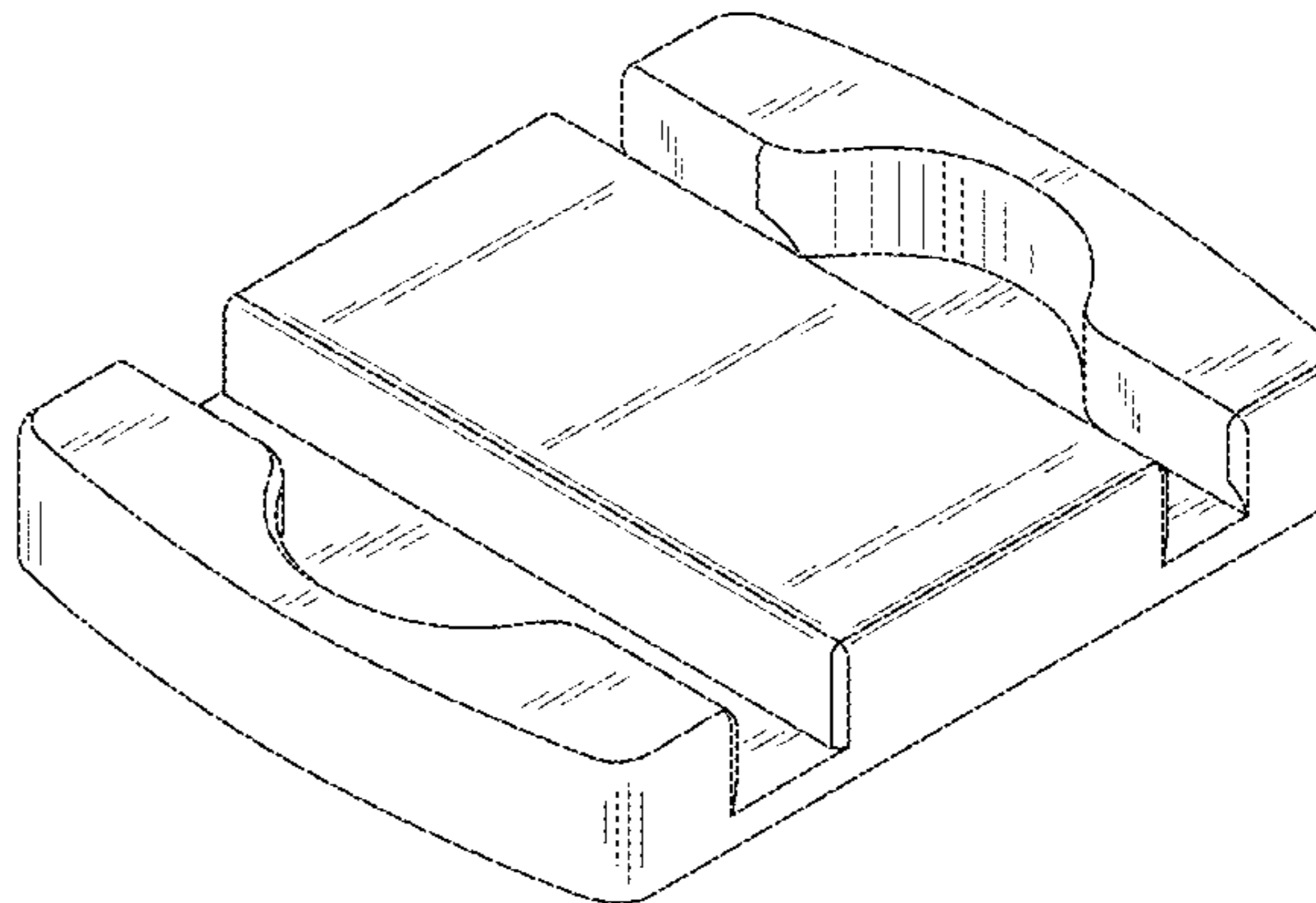
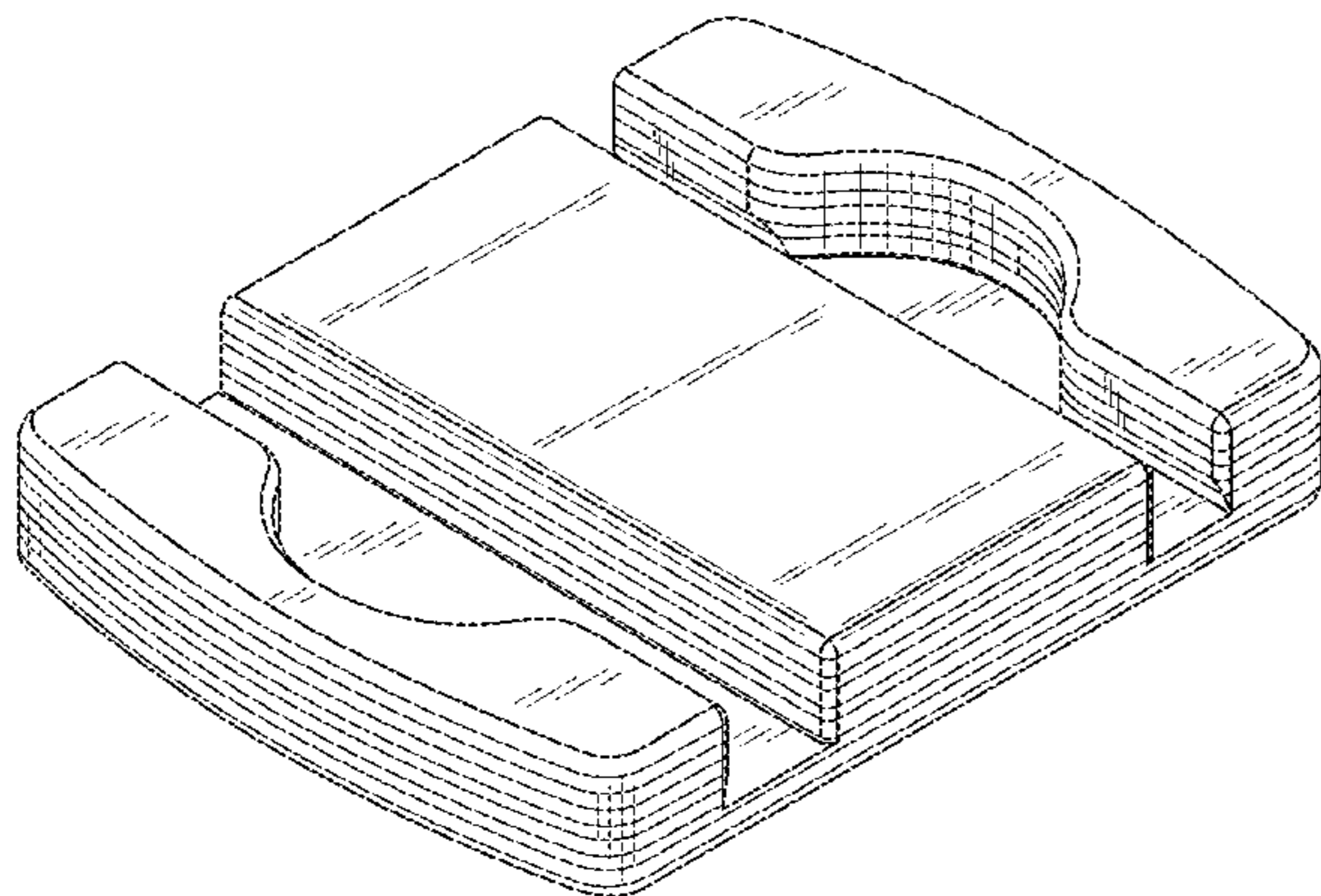
FIG. 11 is a front view thereof.

FIG. 12 is a rear view thereof.

FIG. 13 is a top view thereof; and,

FIG. 14 is a bottom view thereof.

**1 Claim, 14 Drawing Sheets**



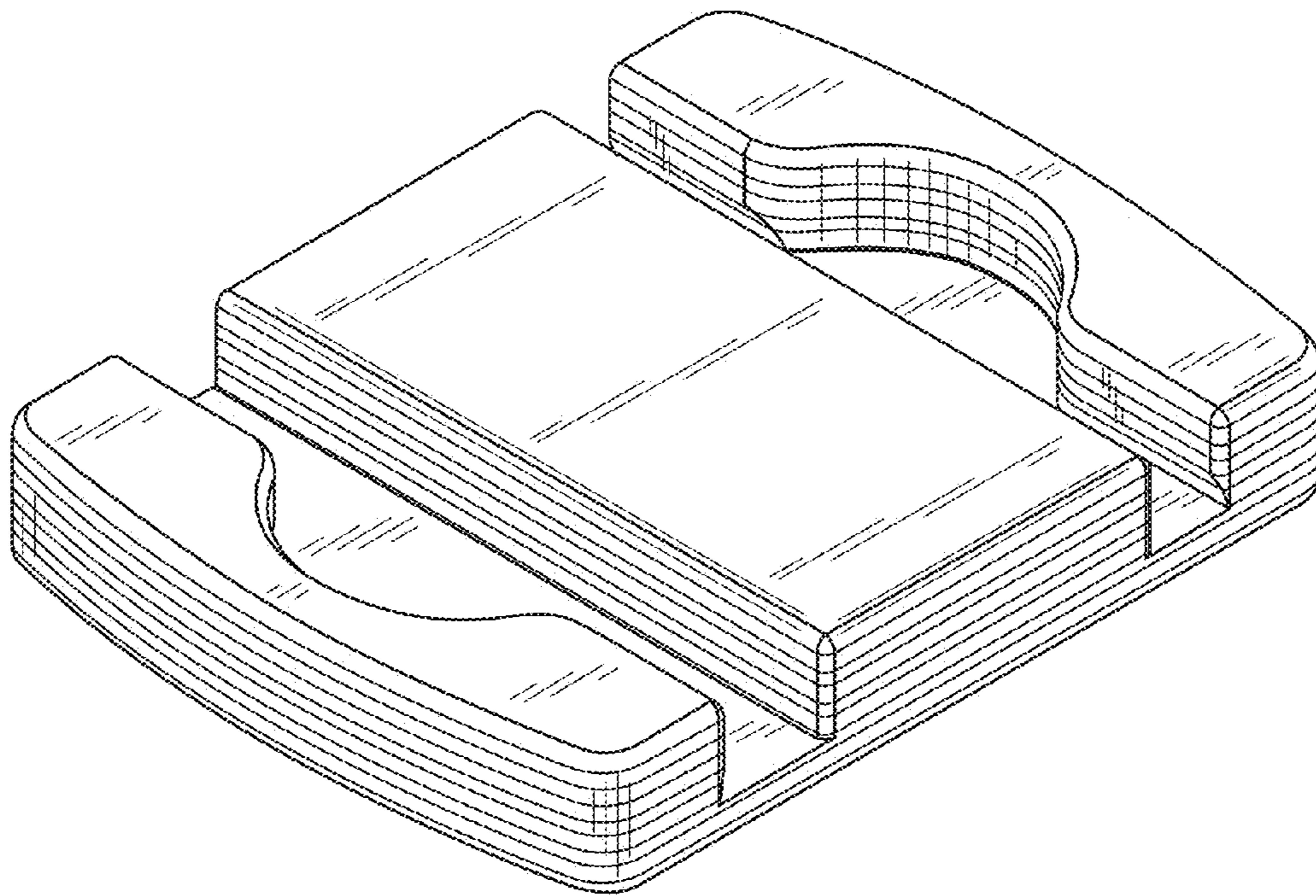


FIG. 1

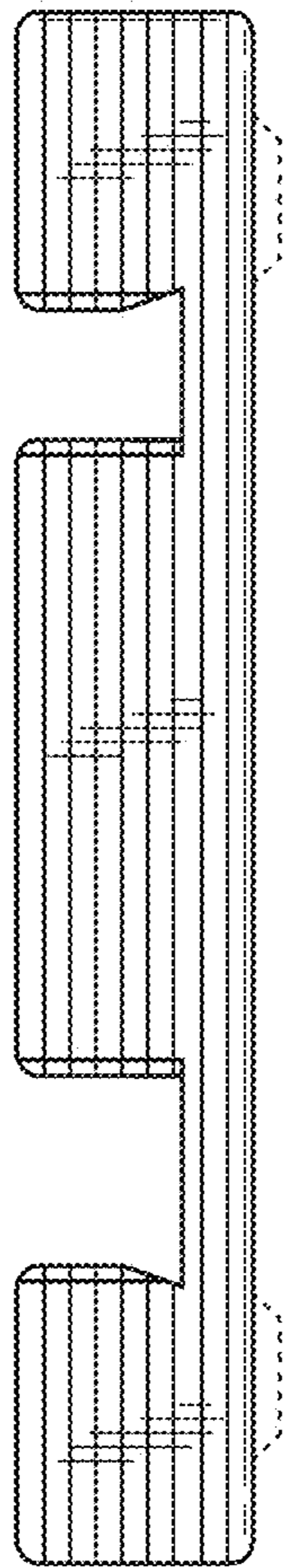


FIG. 2

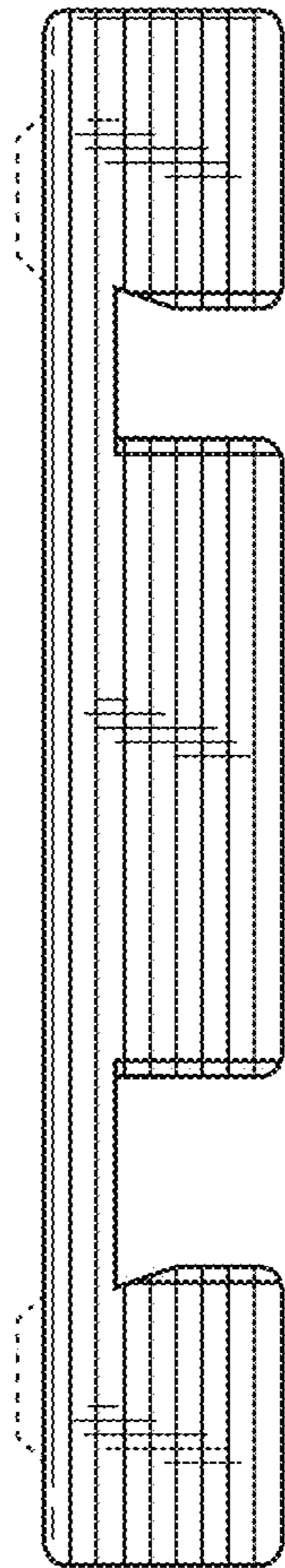


FIG. 3

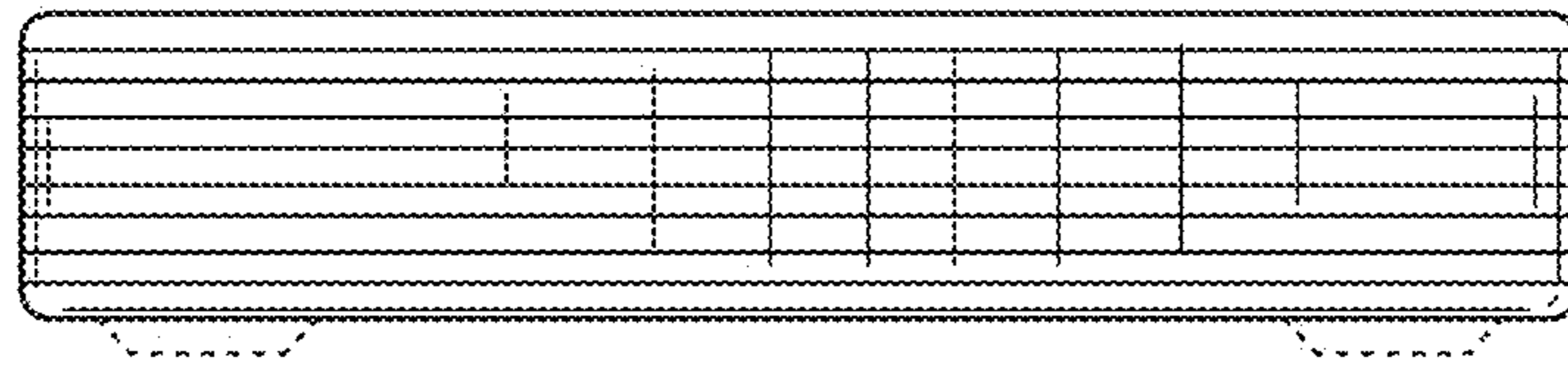


FIG. 4

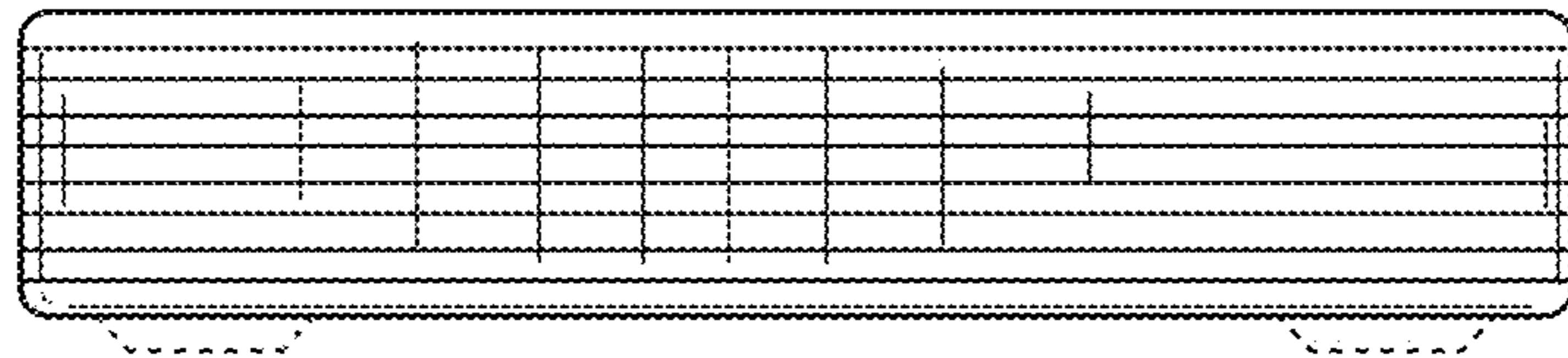


FIG. 5



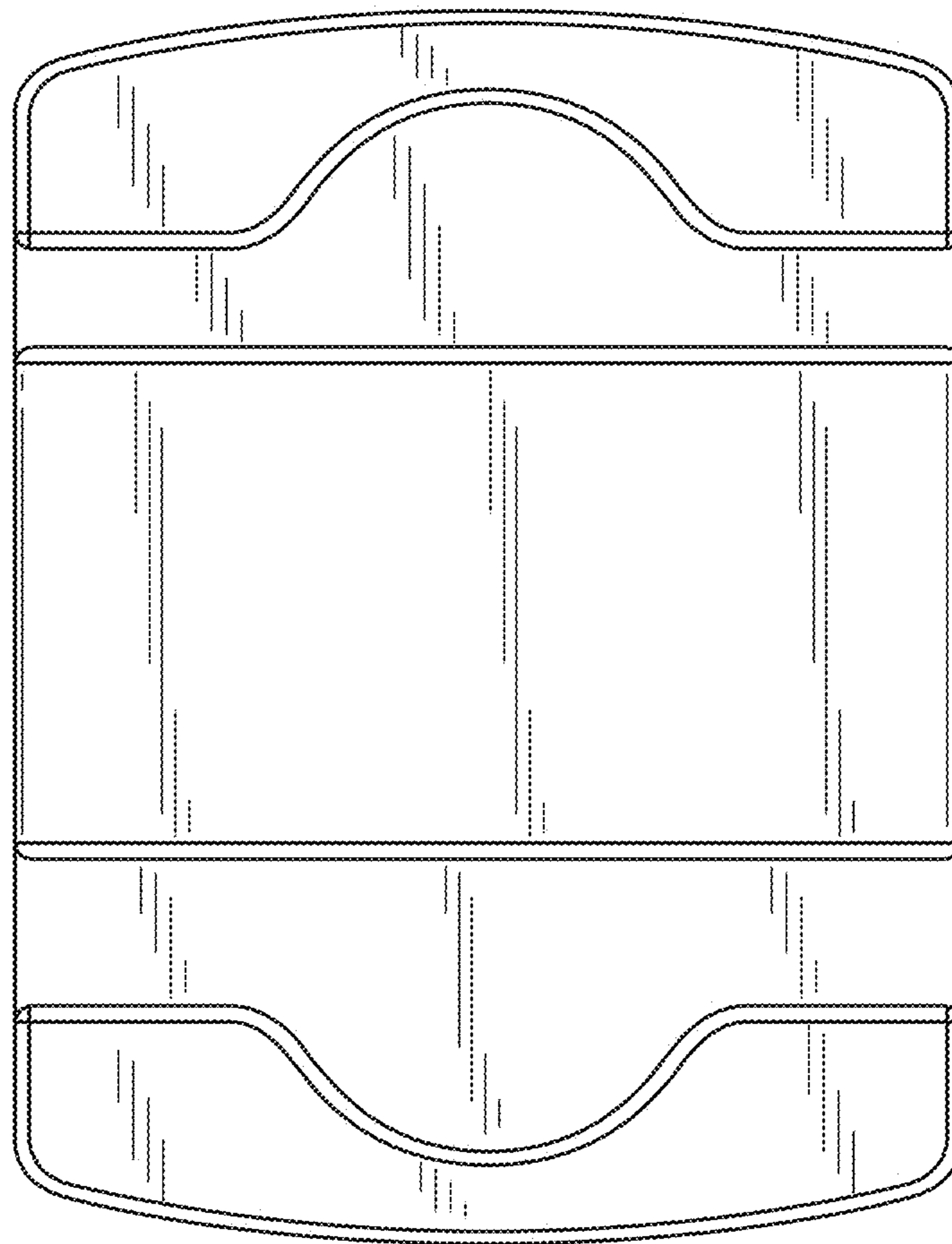


FIG. 6

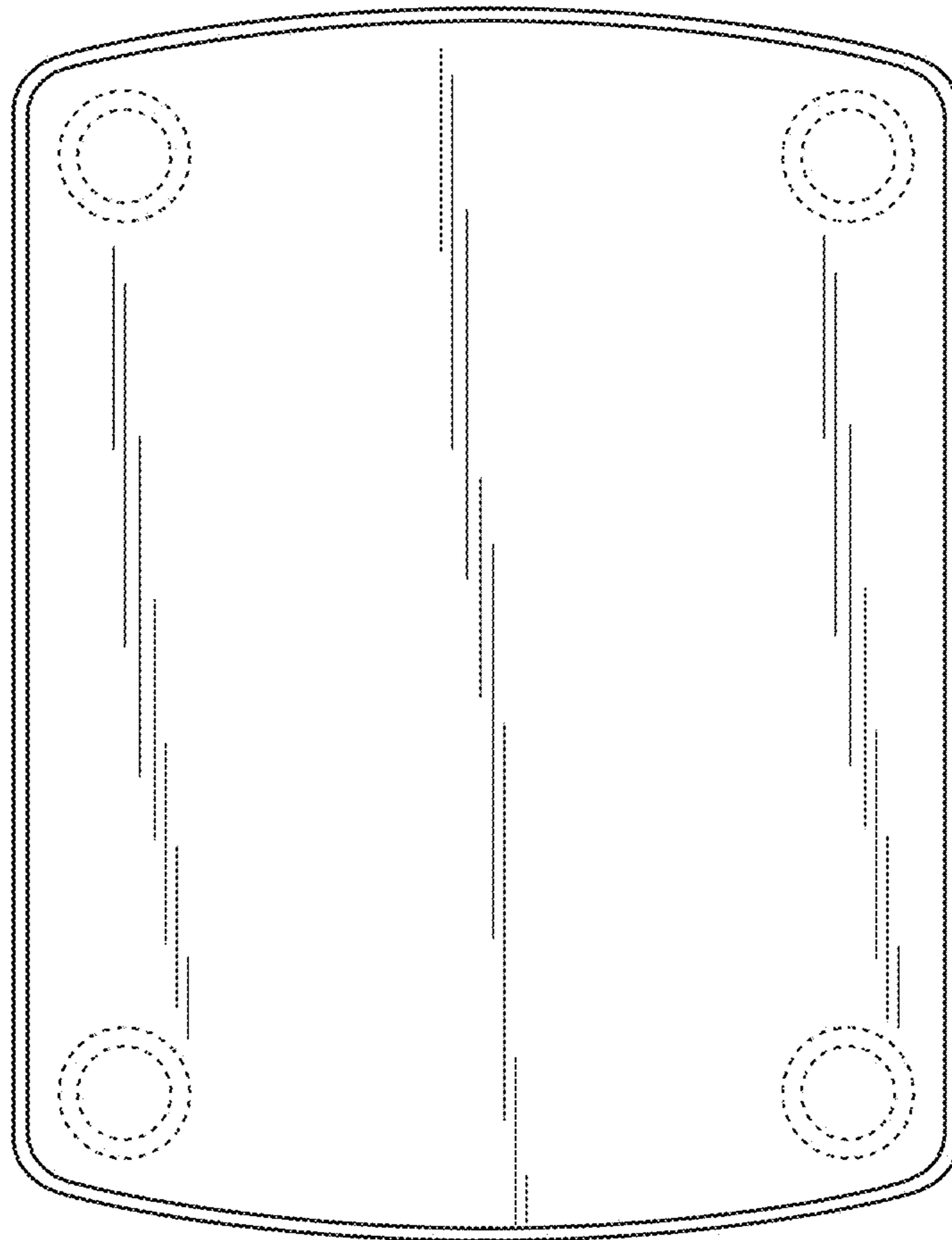


FIG. 7



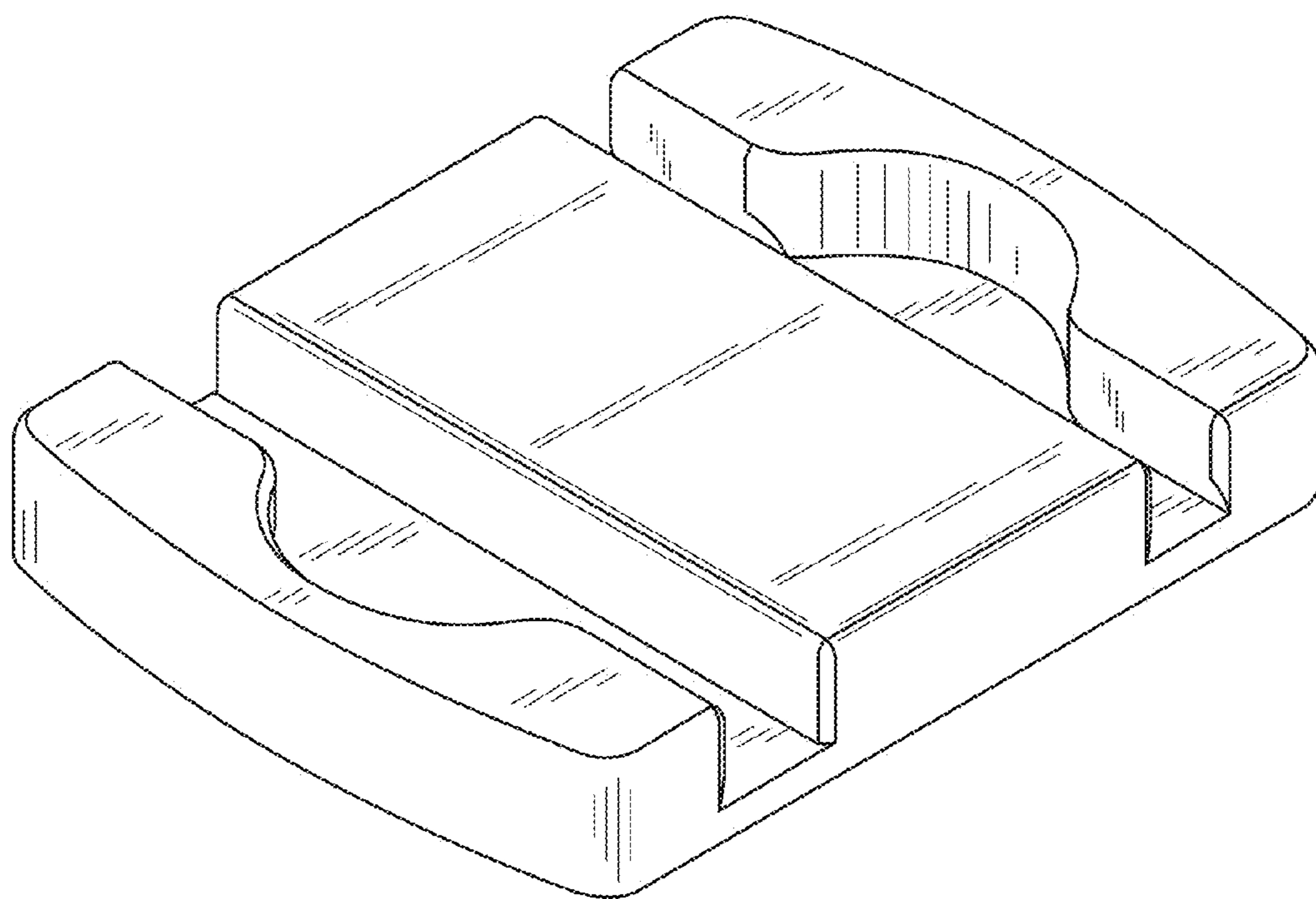


FIG. 8

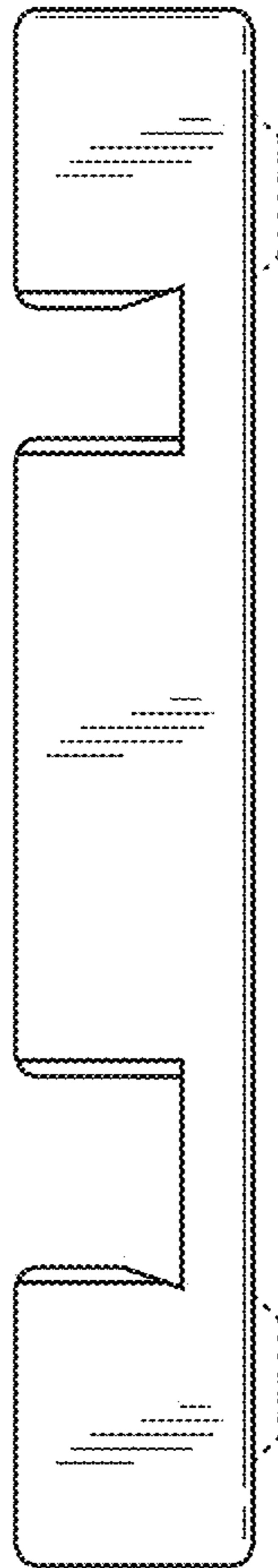


FIG. 9

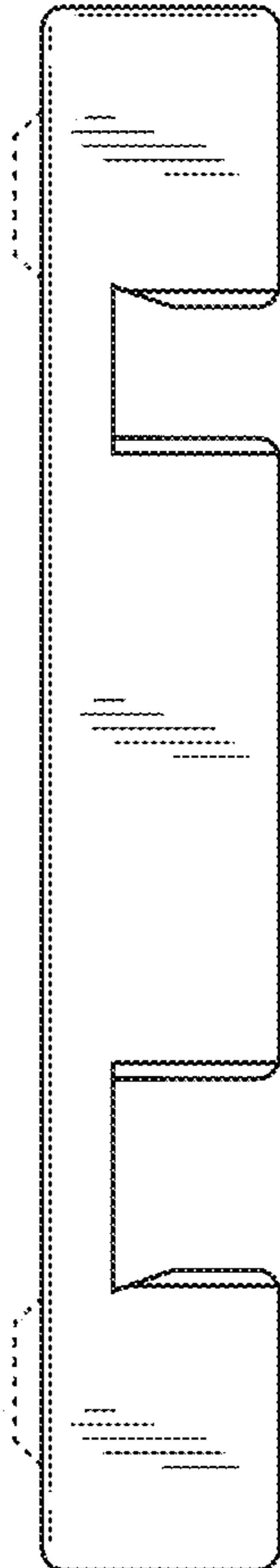


FIG. 10

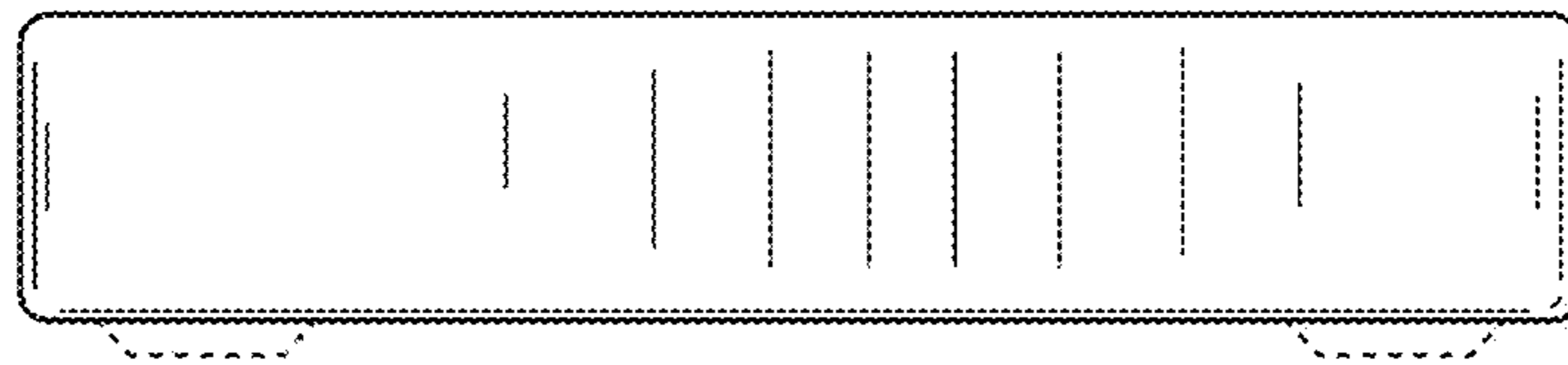


FIG. 11

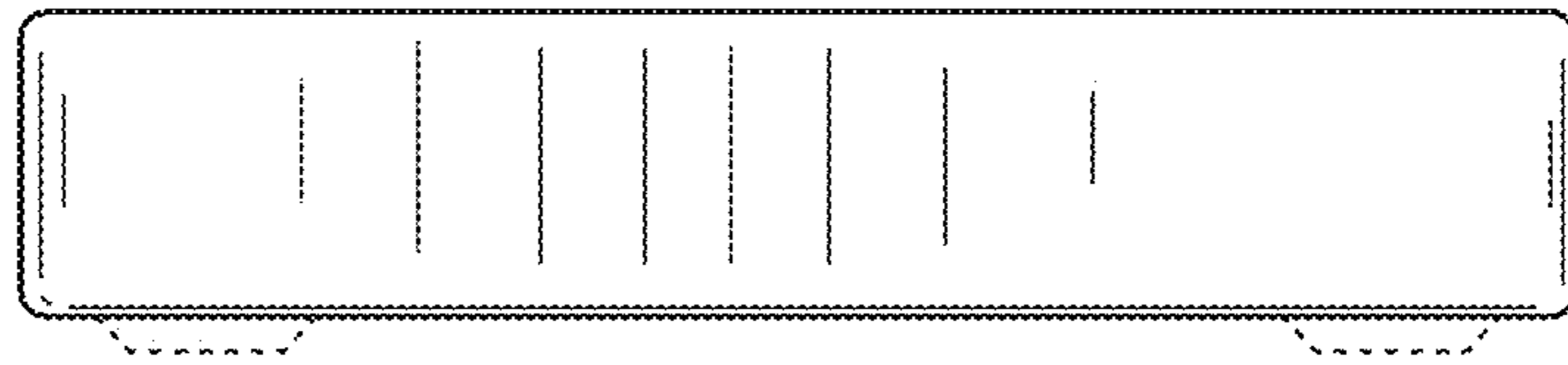


FIG. 12

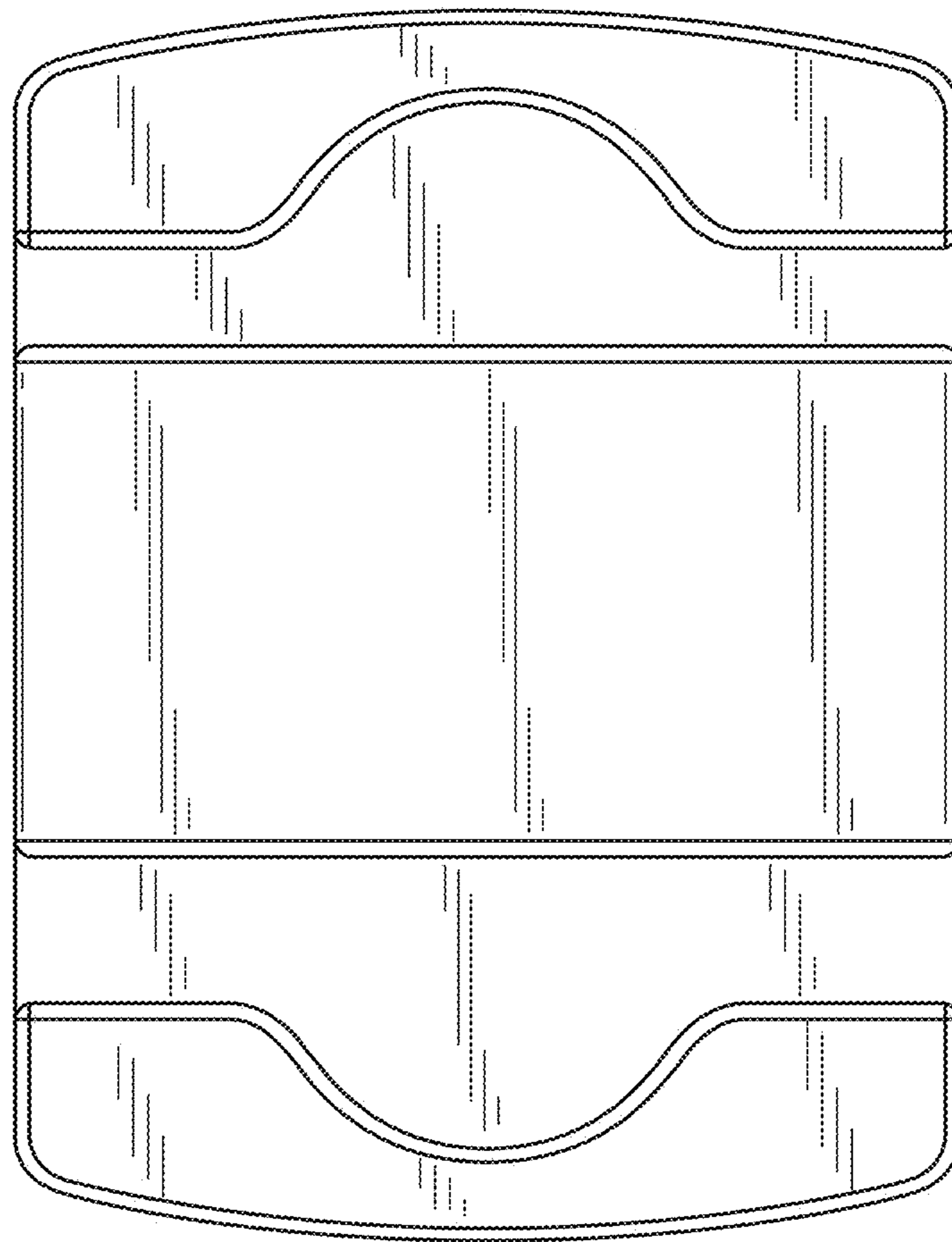


FIG. 13



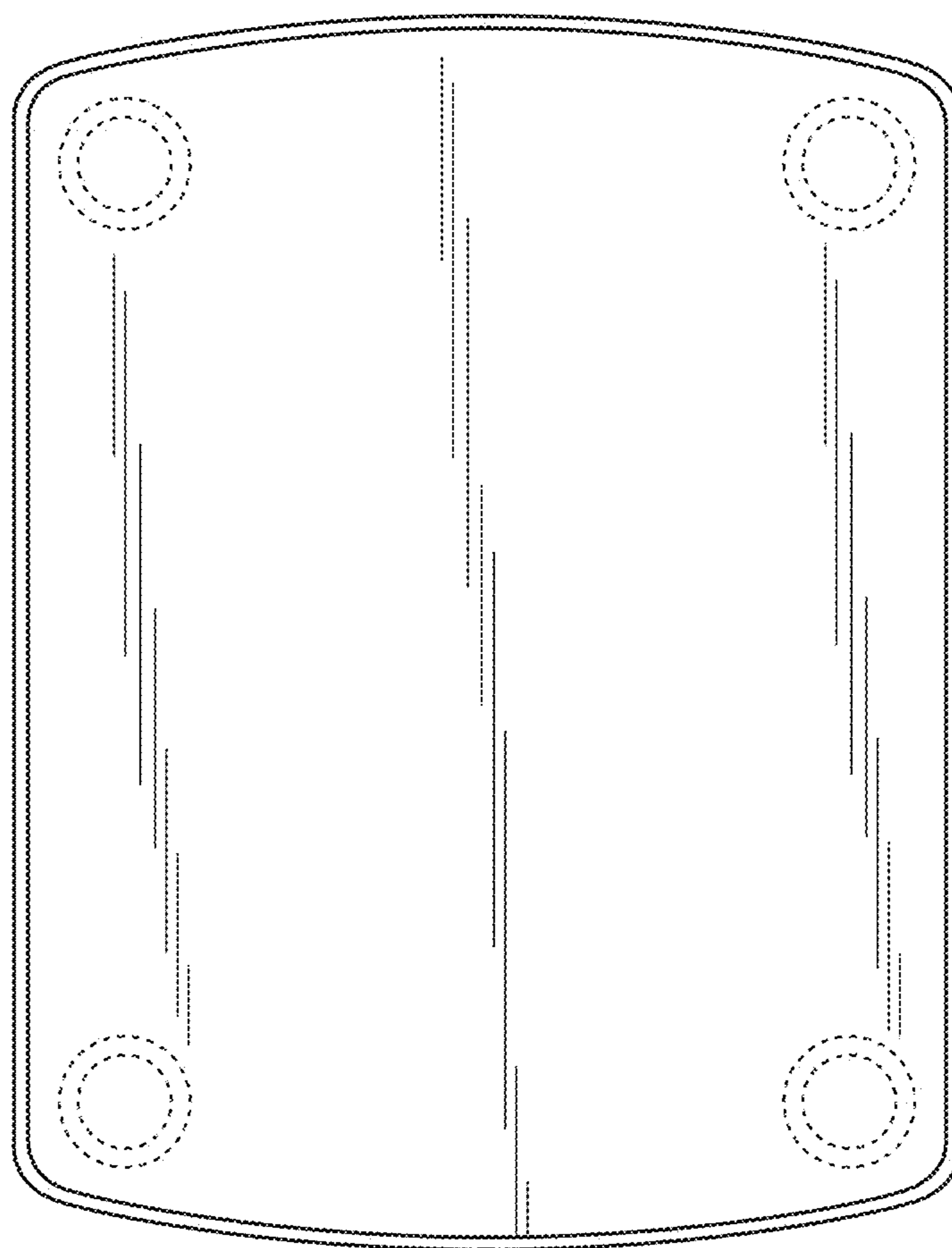


FIG. 14