

US00D696259S

(12) **United States Design Patent**
Howarth et al.

(10) **Patent No.:** **US D696,259 S**

(45) **Date of Patent:** **** Dec. 24, 2013**

(54) **DISPLAY STAND**

(71) Applicant: **Apple Inc.**, Cupertino, CA (US)

(72) Inventors: **Richard P. Howarth**, San Francisco, CA (US); **Wesley Bryan Hamm**, San Francisco, CA (US); **Federico F. Tio**, La Canada, CA (US); **Frank Craig Thaler**, Santa Cruz, CA (US); **Russell John Heirakuji**, Cupertino, CA (US)

(73) Assignee: **Apple Inc.**, Cupertino, CA (US)

(**) Term: **14 Years**

(21) Appl. No.: **29/434,593**

(22) Filed: **Oct. 15, 2012**

(51) **LOC (9) Cl.** **08-07**

(52) **U.S. Cl.**
USPC **D14/447**

(58) **Field of Classification Search**
USPC D14/432, 433, 434, 439, 440, 451, 452, D14/239, 217, 224.1, 251, 252, 253, 457, D14/458, 459, 460, 461; D6/406.1, 406.2, D6/406.3, 406.4, 406.5, 406.6; 361/679.06, 679.21, 679.22, 679.24, 361/679.26, 679.27, 679.28, 679.3, 679.55, 361/679.56, 709; 248/917-924, 133, 136, 248/139, 150, 176.1, 188.6; D13/108, 110
See application file for complete search history.

(56) **References Cited**

U.S. PATENT DOCUMENTS

D314,501 S * 2/1991 Pagano D8/363
D407,408 S * 3/1999 Hoff D14/253
6,476,717 B1 11/2002 Gross et al.

(Continued)

OTHER PUBLICATIONS

U.S. Appl. No. 12/968,218, inventors Oehl et al., filed Dec. 14, 2010.

Primary Examiner — Angela J Lee

(74) *Attorney, Agent, or Firm* — Sterne, Kessler, Goldstein & Fox P.L.L.C.

(57) **CLAIM**

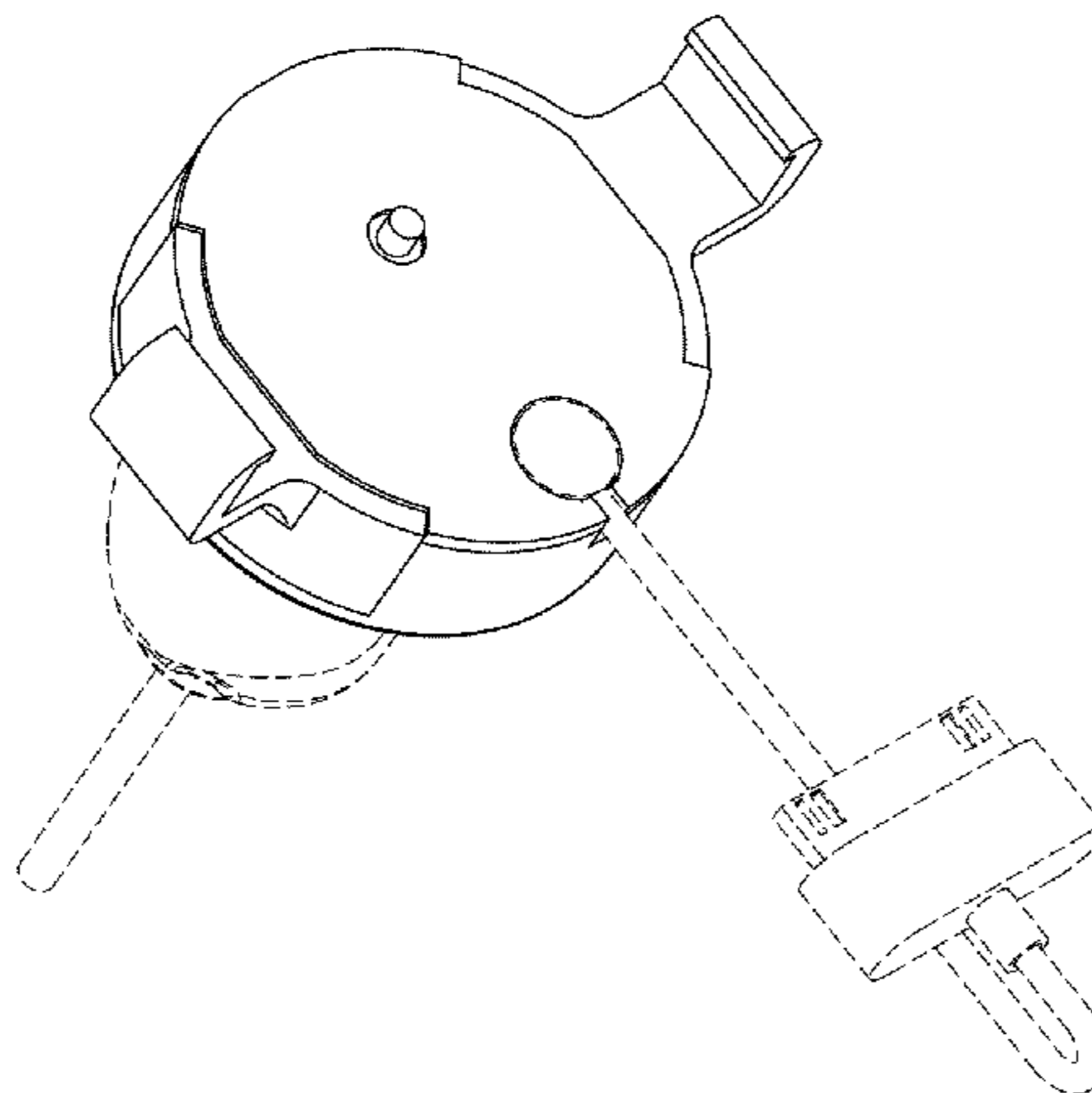
The ornamental design for display stand, thereof, as shown and described.

DESCRIPTION

FIG. 1 is a top front perspective view of an embodiment of a display stand showing our new design;
FIG. 2 is a front view thereof;
FIG. 3 is a rear view thereof;
FIG. 4 is a left side view thereof;
FIG. 5 is a right side view thereof;
FIG. 6 is a top view thereof;
FIG. 7 is a bottom view thereof;
FIG. 8 is a top front perspective view of another embodiment of a display stand showing our new design;
FIG. 9 is a front view thereof;
FIG. 10 is a rear view thereof;
FIG. 11 is a left side view thereof;
FIG. 12 is a right side view thereof;
FIG. 13 is a top view thereof;
FIG. 14 is a bottom view thereof;
FIG. 15 is a top front perspective view of another embodiment of a display stand showing our new design;
FIG. 16 is a front view thereof;
FIG. 17 is a rear view thereof;
FIG. 18 is a left side view thereof;
FIG. 19 is a right side view thereof;
FIG. 20 is a top view thereof; and,
FIG. 21 is a bottom view thereof.

The dashed broken lines in the Figures show portions of the display stand and environment which form no part of the claimed design. The display stand is shown in FIGS. 8-10, 13, and 14 with symbolic breaks in its length; the appearance of any portion or length of the article between the break lines forms no part of the claimed design.

1 Claim, 21 Drawing Sheets



(56)

References Cited

U.S. PATENT DOCUMENTS

D510,358 S *	10/2005	Ezure	D14/447	D629,405 S *	12/2010	Crysell	D14/447
7,209,038 B1	4/2007	Deconinck et al.		D645,047 S	9/2011	Wike	
D589,962 S *	4/2009	Maruyama et al.	D14/432	8,020,816 B2 *	9/2011	Laitila et al.	248/125.7
D590,184 S *	4/2009	Barabas et al.	D6/466	D652,422 S *	1/2012	Cheng	D14/447
D599,241 S	9/2009	Andre et al.		8,087,625 B2 *	1/2012	Chang	248/205.5
7,724,135 B2	5/2010	Rapp et al.		8,145,821 B2	3/2012	Mead et al.	
				D663,972 S *	7/2012	Alexander et al.	D6/466
				2011/0047844 A1 *	3/2011	Fawcett et al.	40/642.02
				2011/0084838 A1 *	4/2011	Fawcett	340/568.8

* cited by examiner

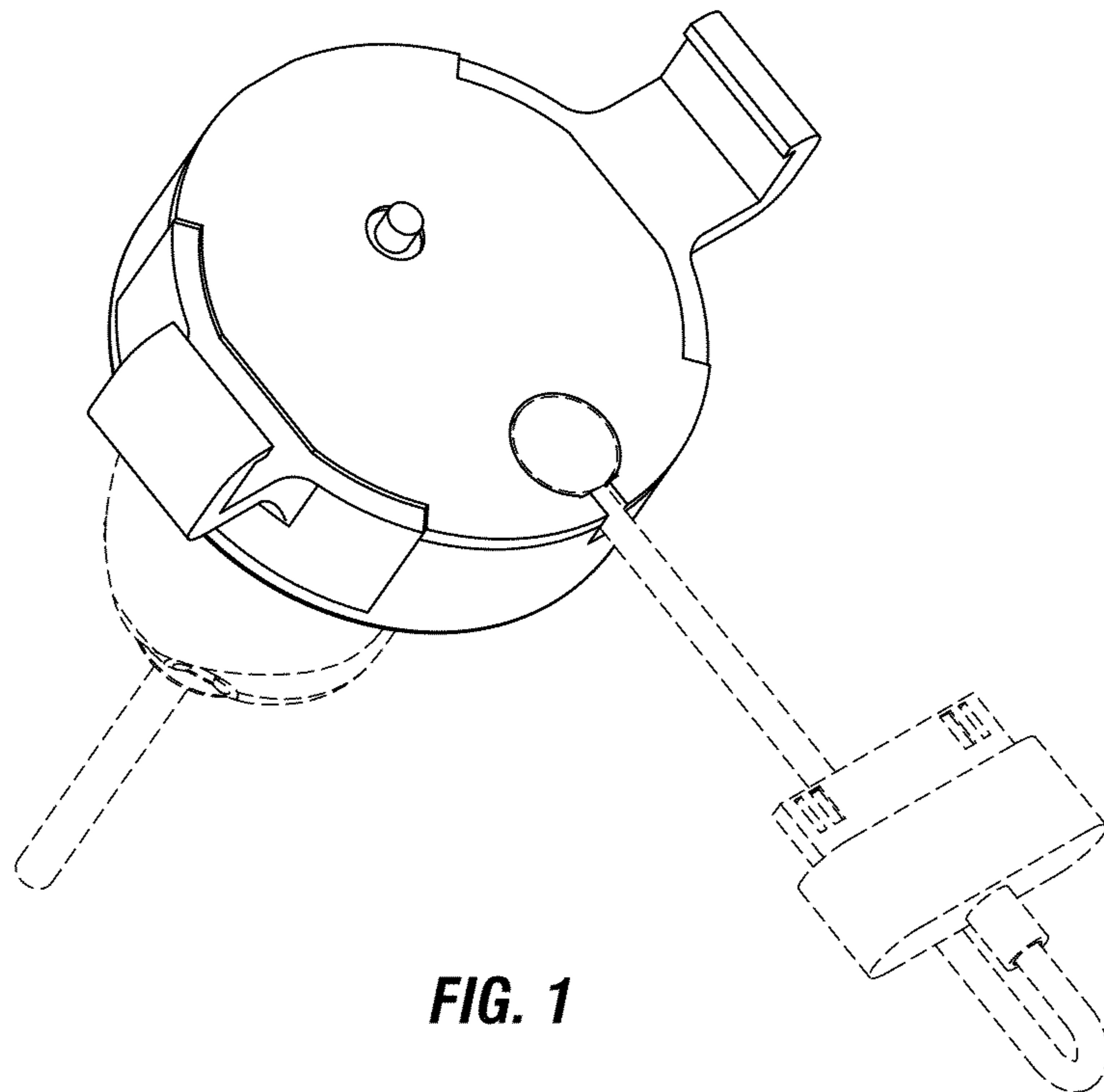


FIG. 1

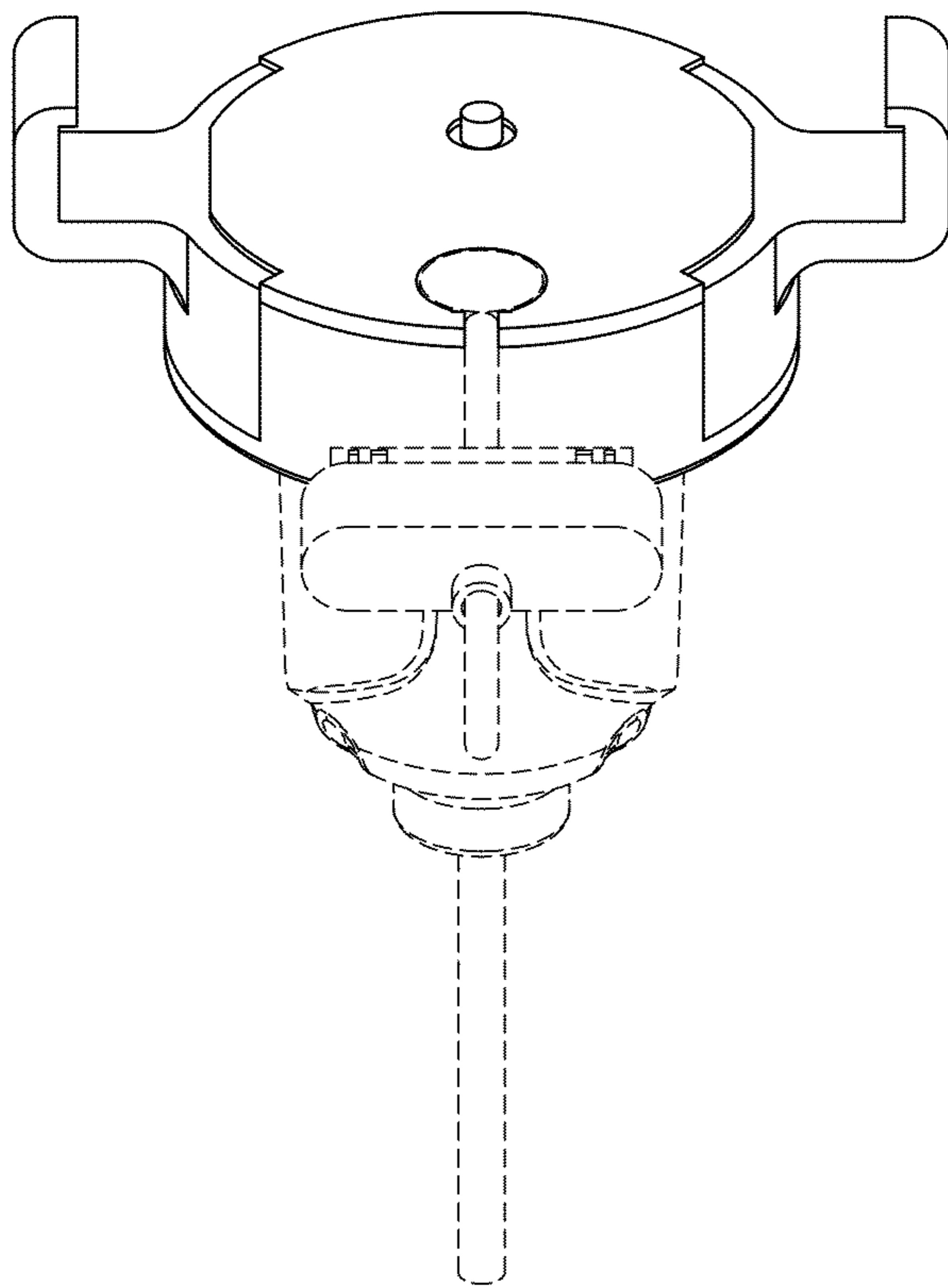


FIG. 2

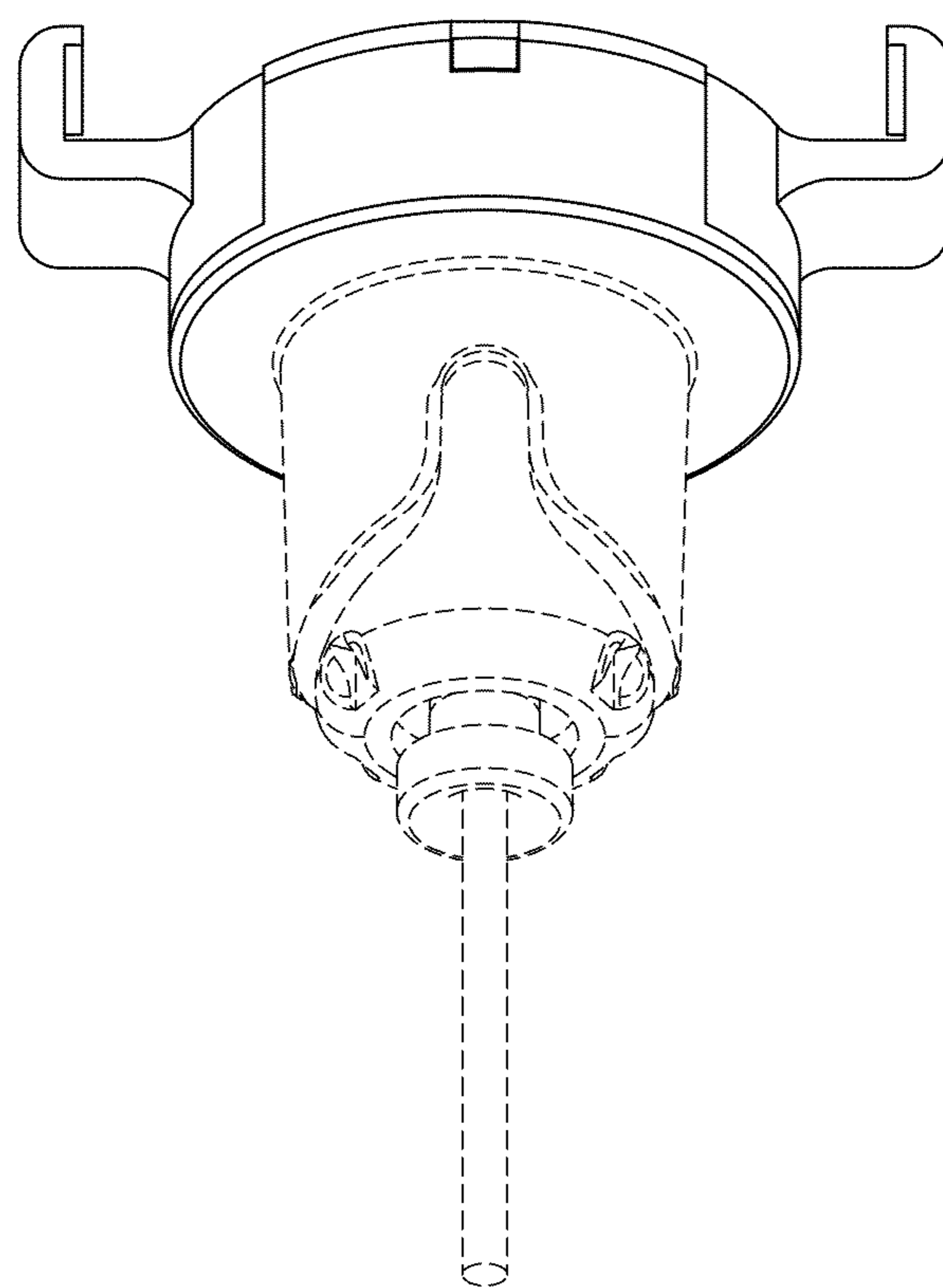


FIG. 3

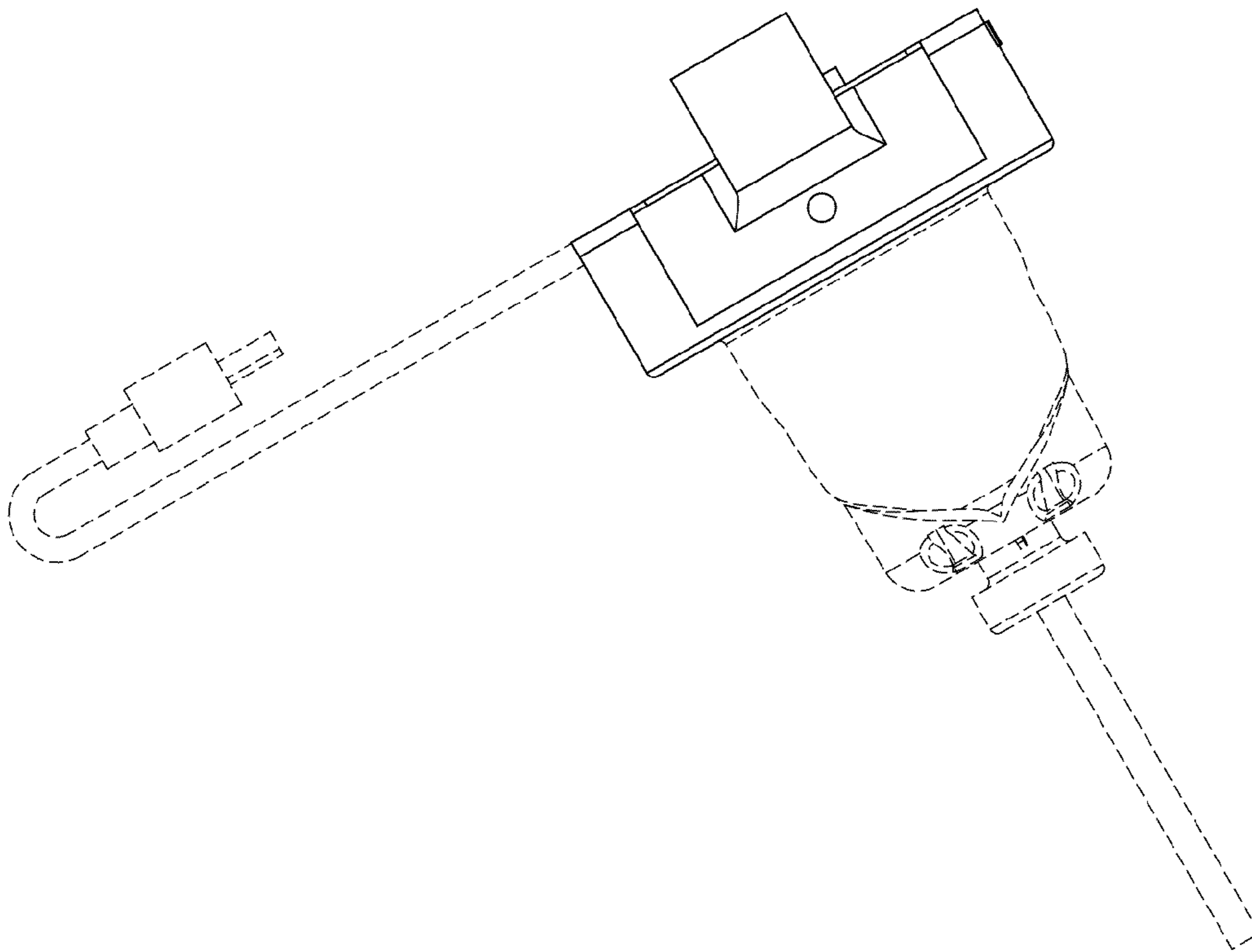


FIG. 4

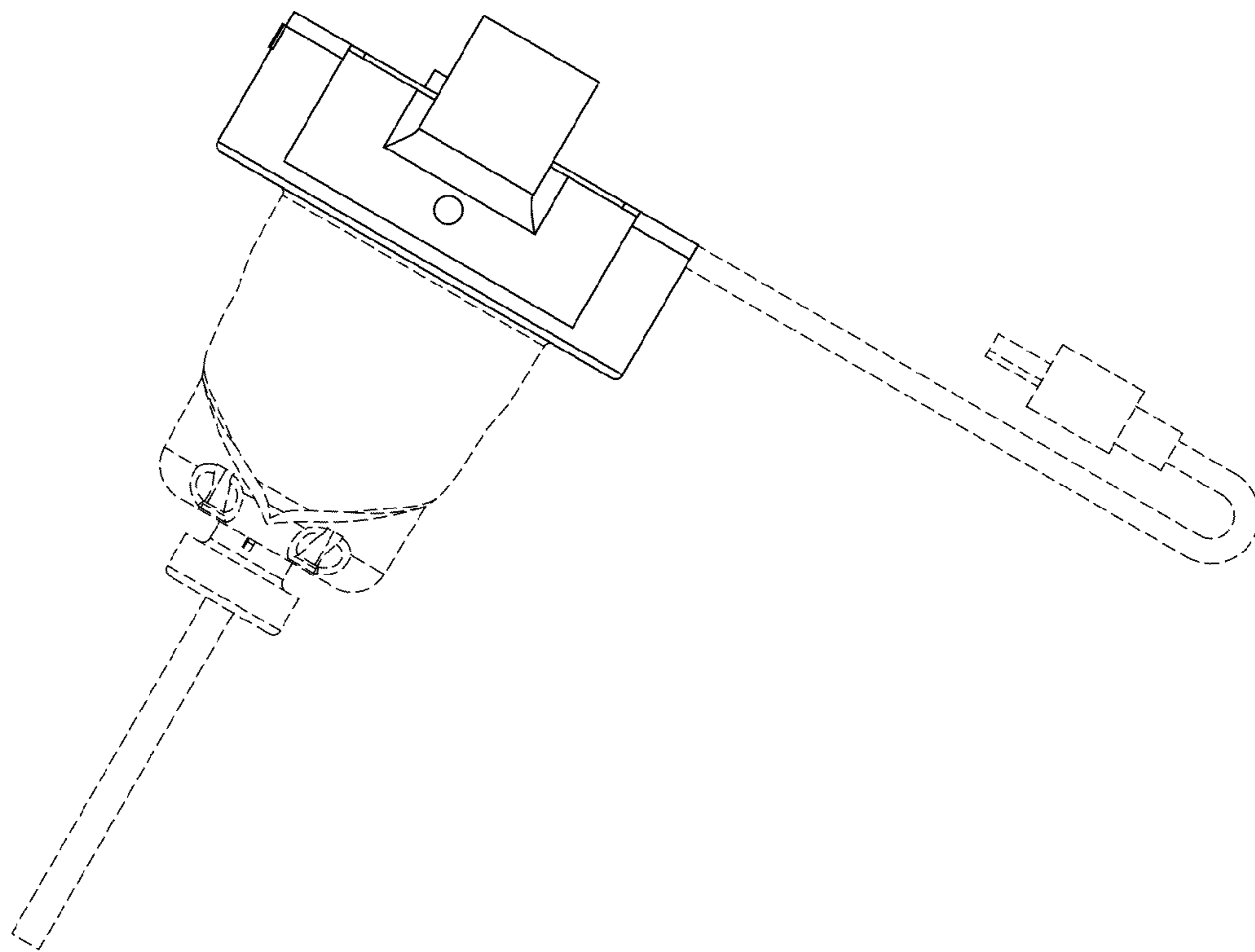


FIG. 5

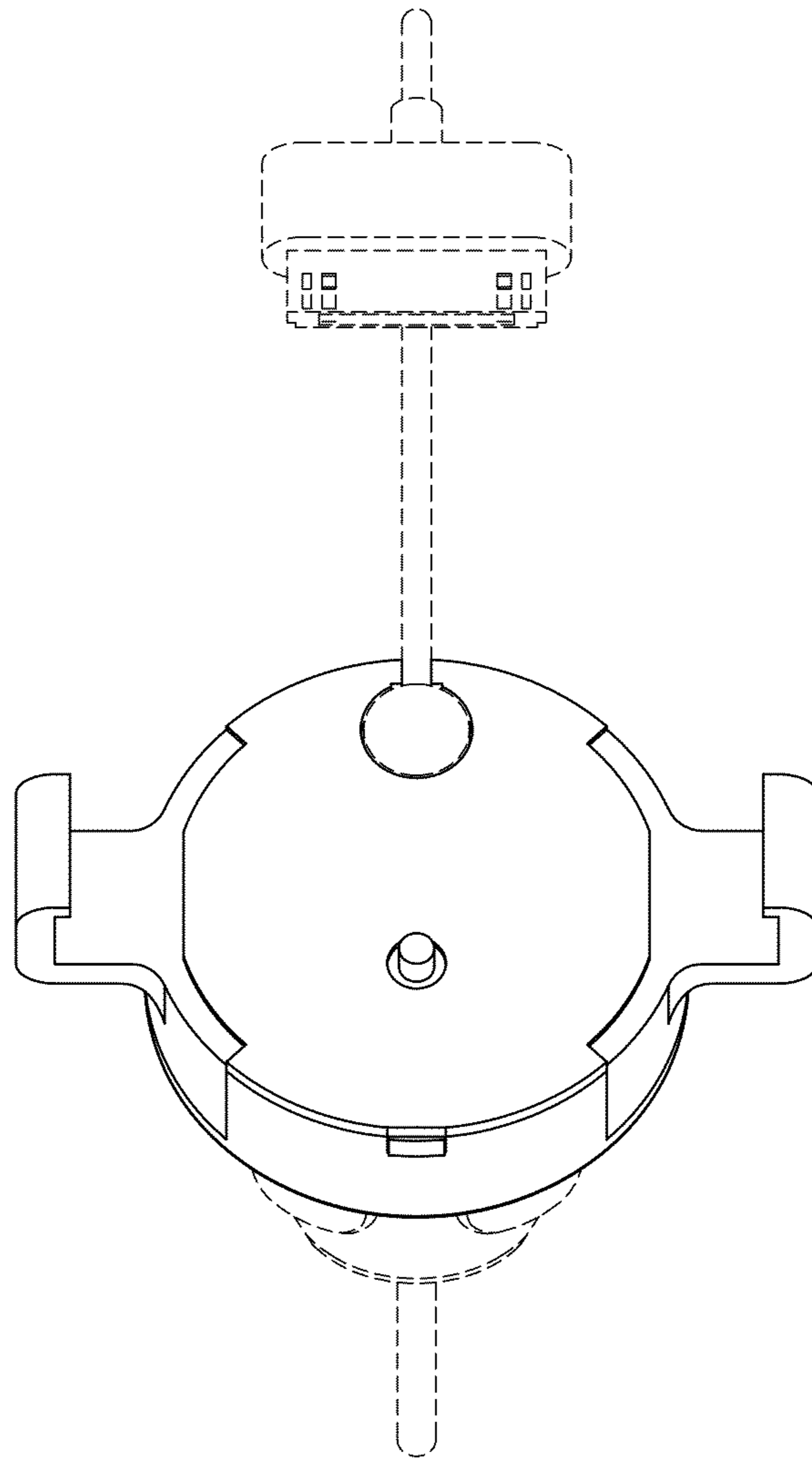


FIG. 6

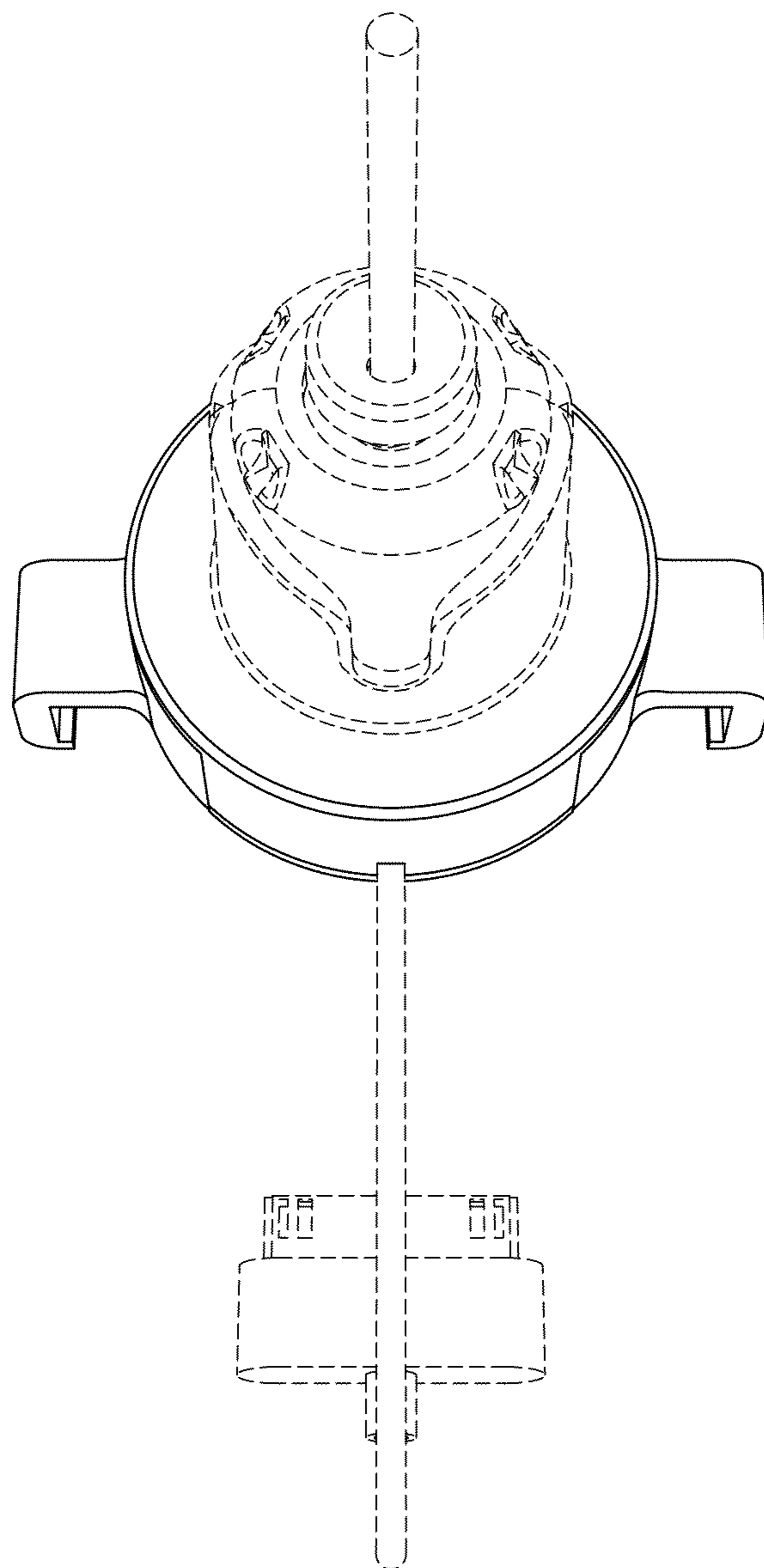


FIG. 7

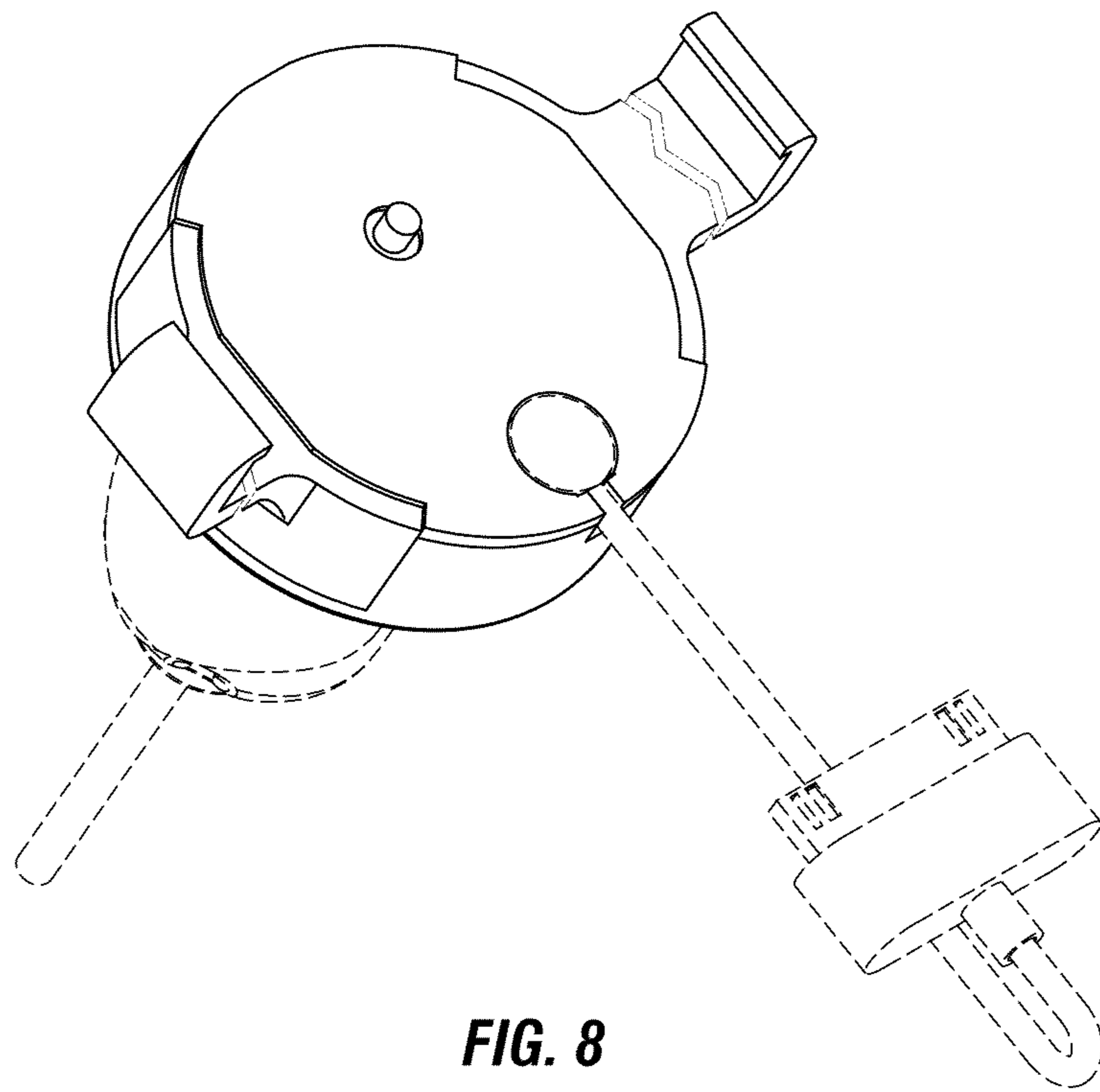


FIG. 8

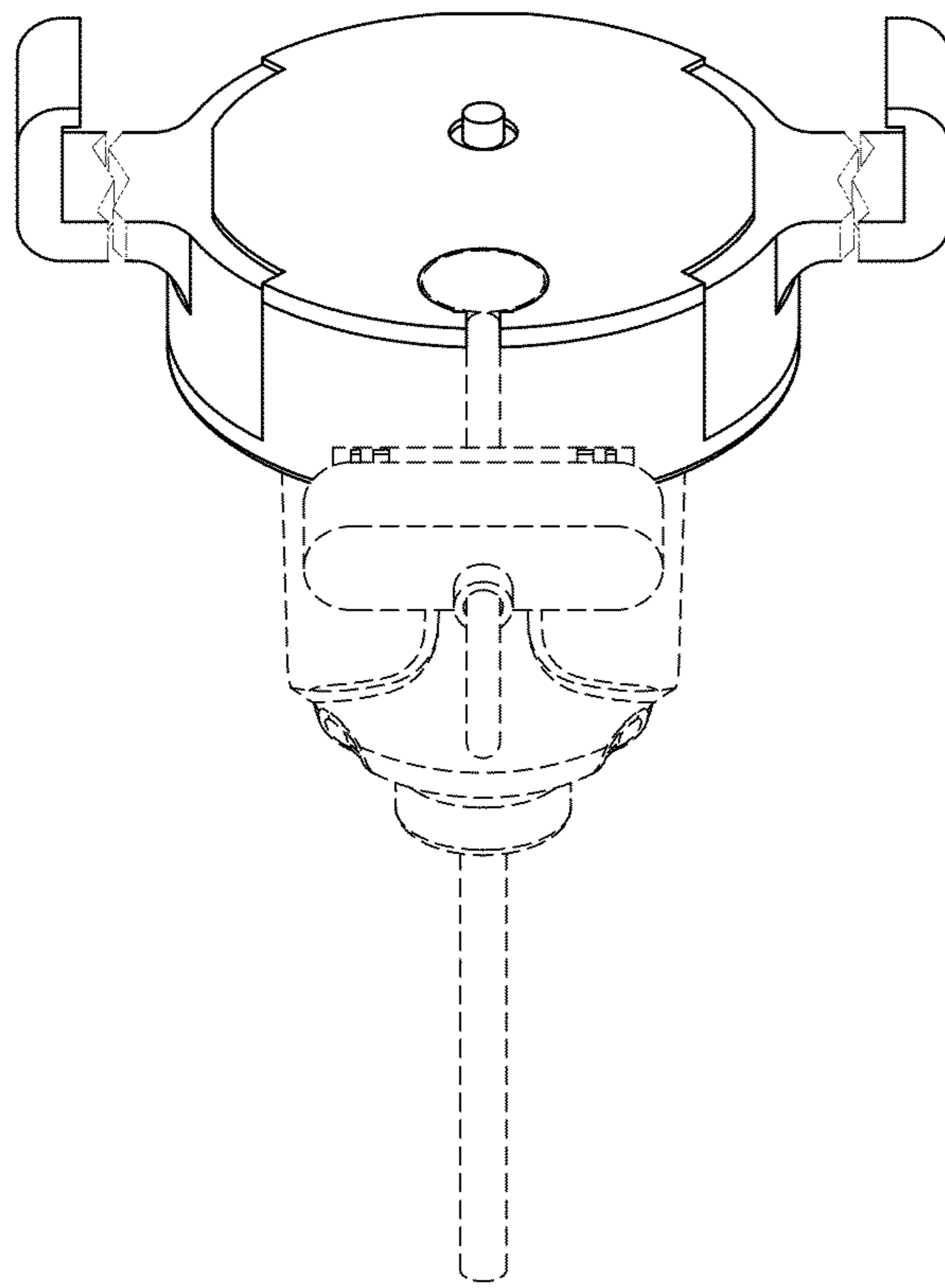


FIG. 9

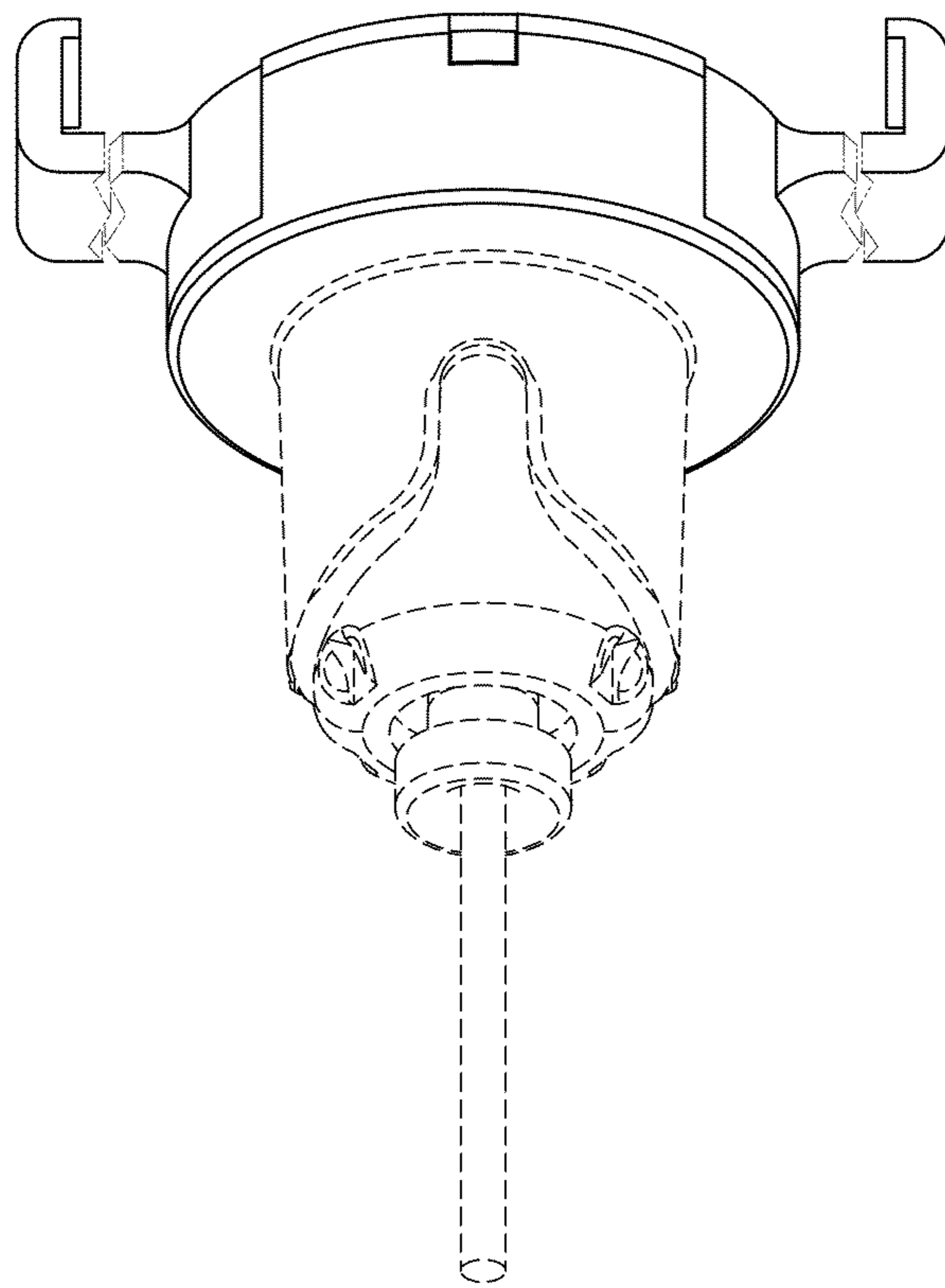


FIG. 10

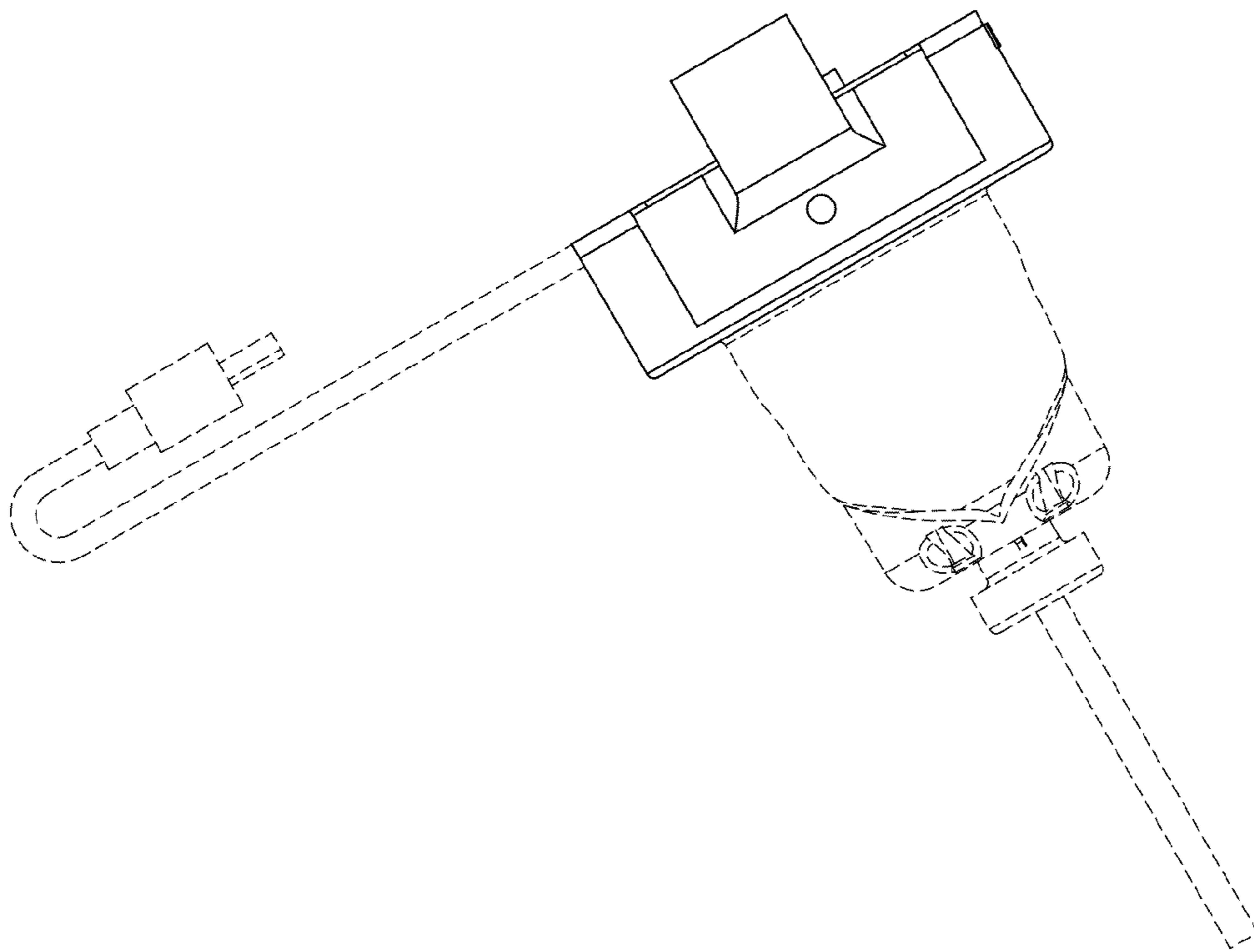


FIG. 11

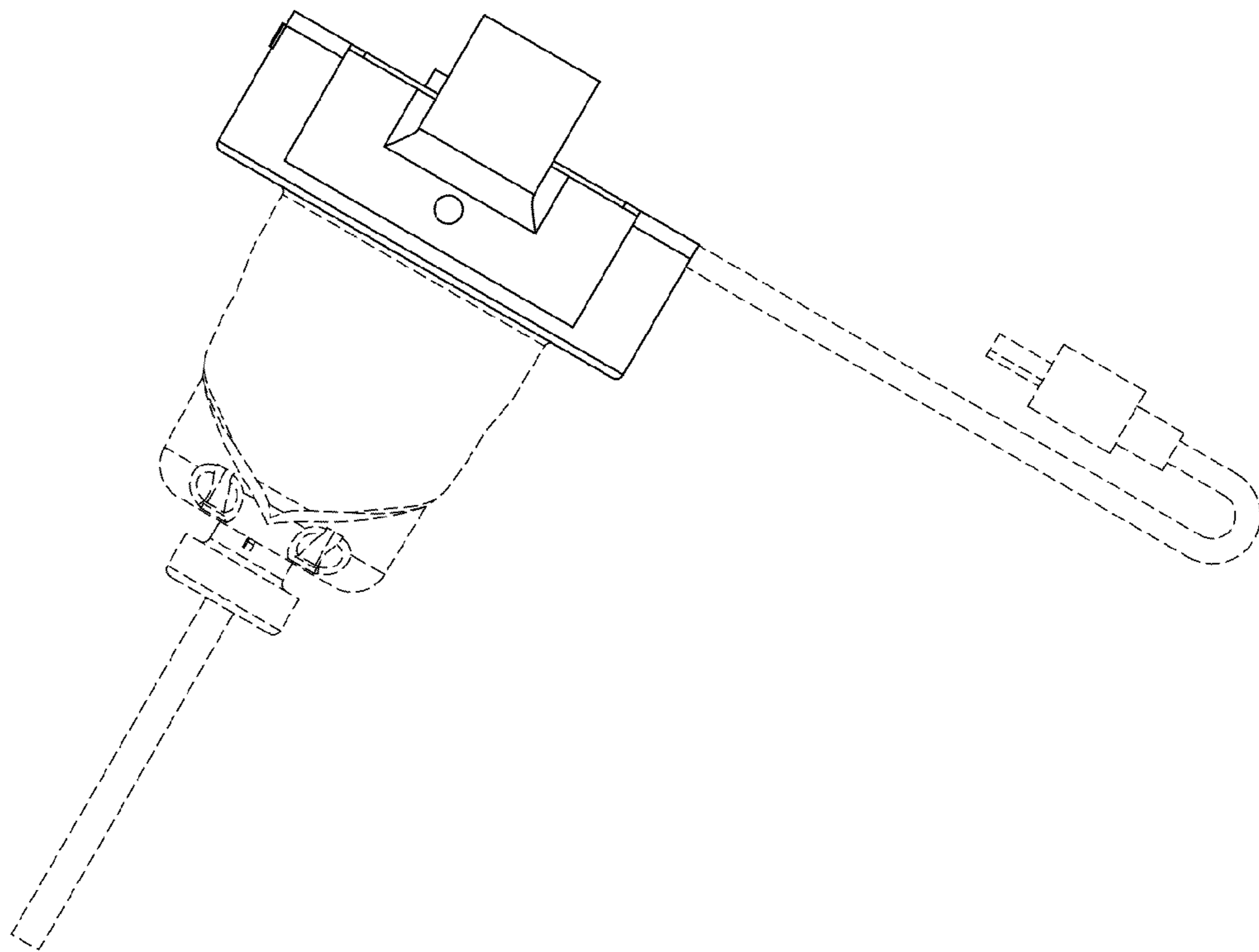


FIG. 12

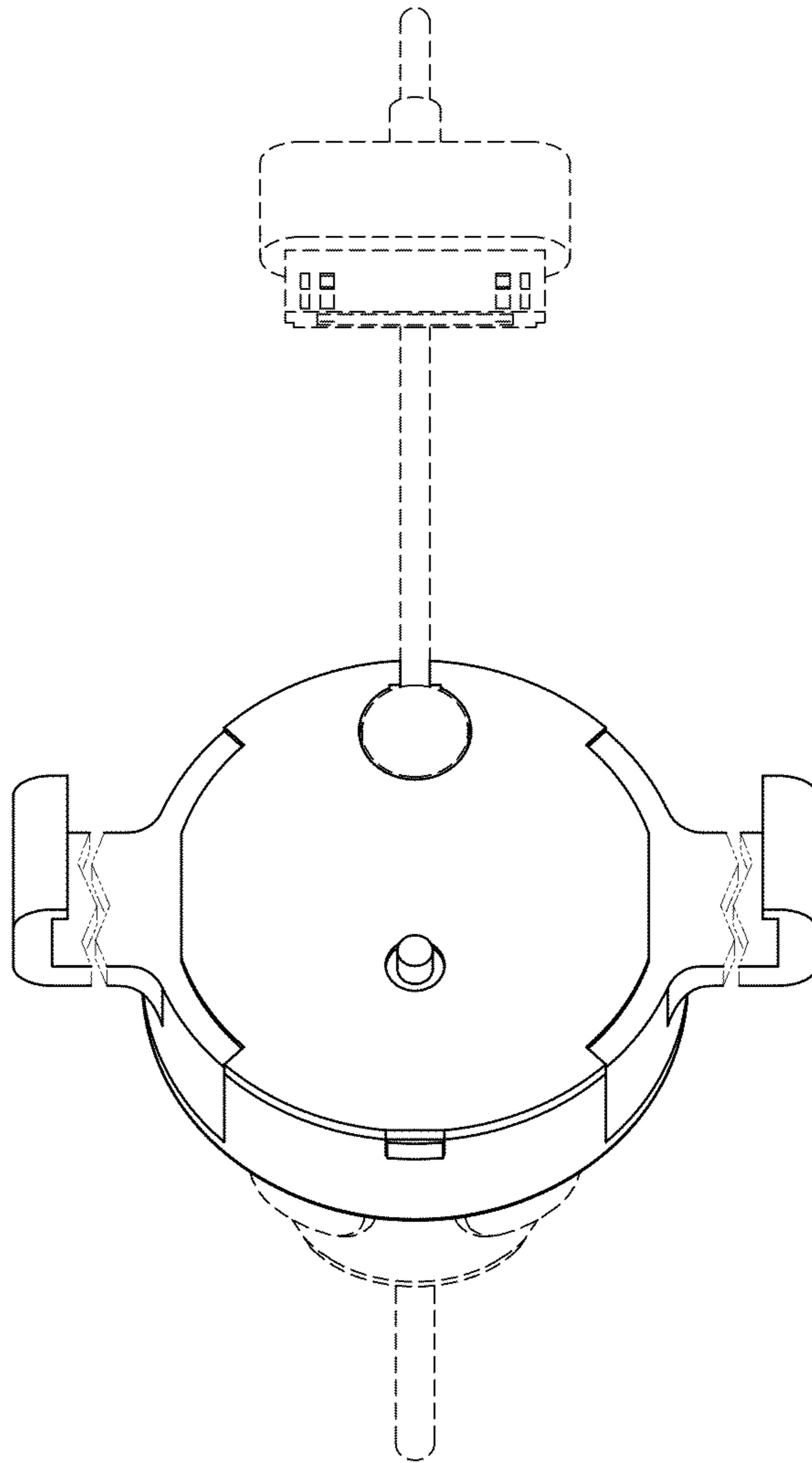


FIG. 13

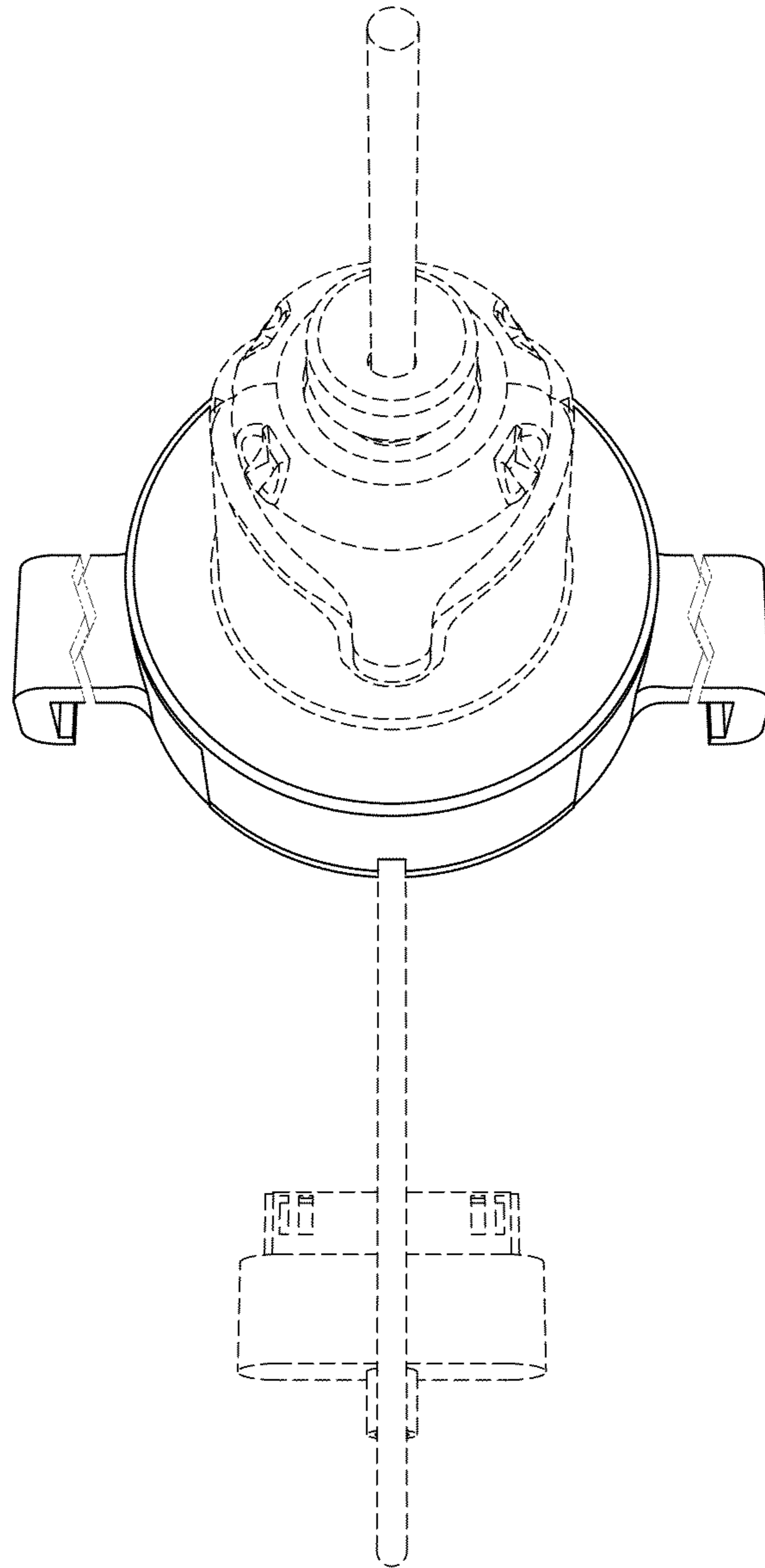


FIG. 14

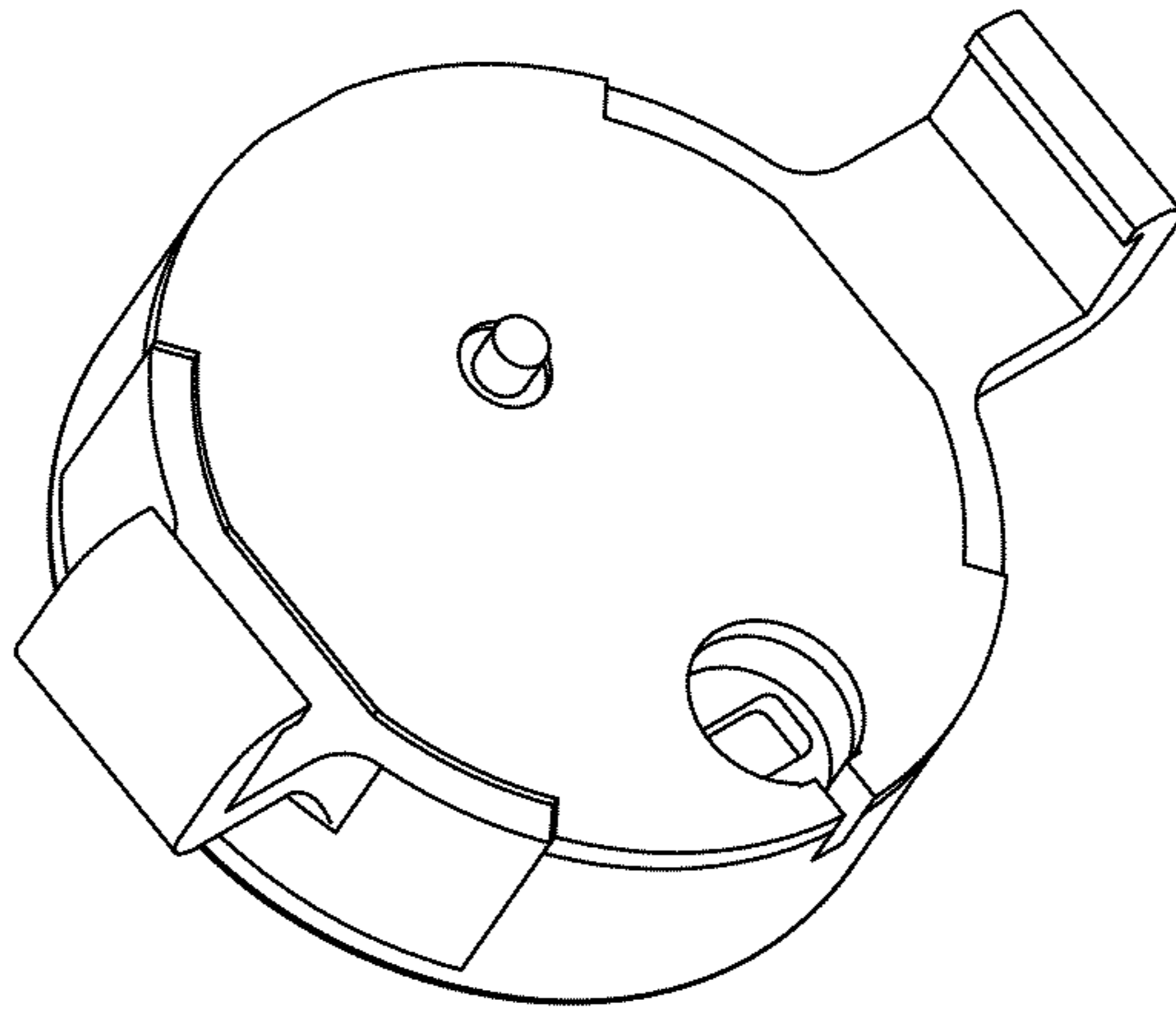


FIG. 15

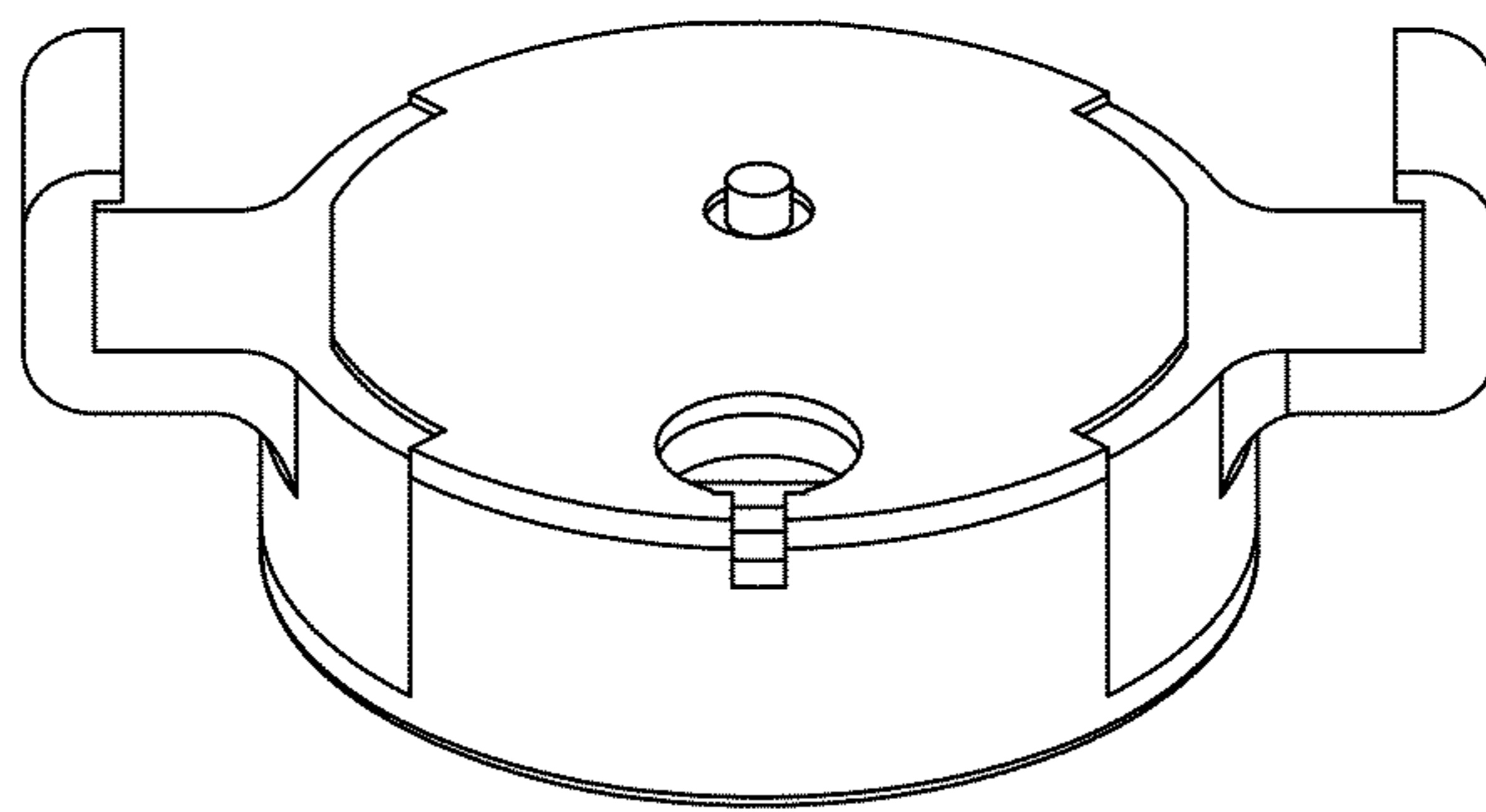


FIG. 16

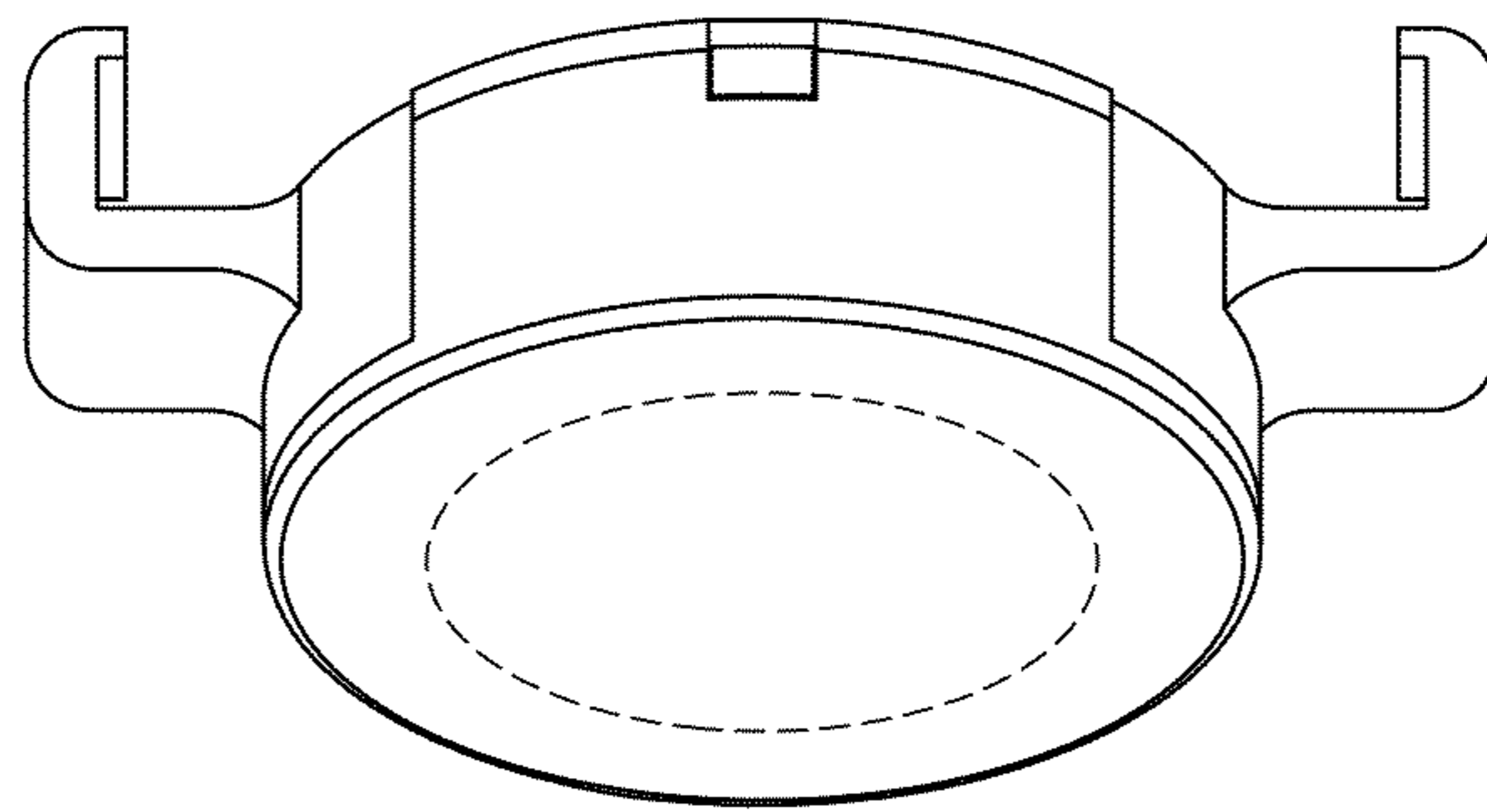


FIG. 17

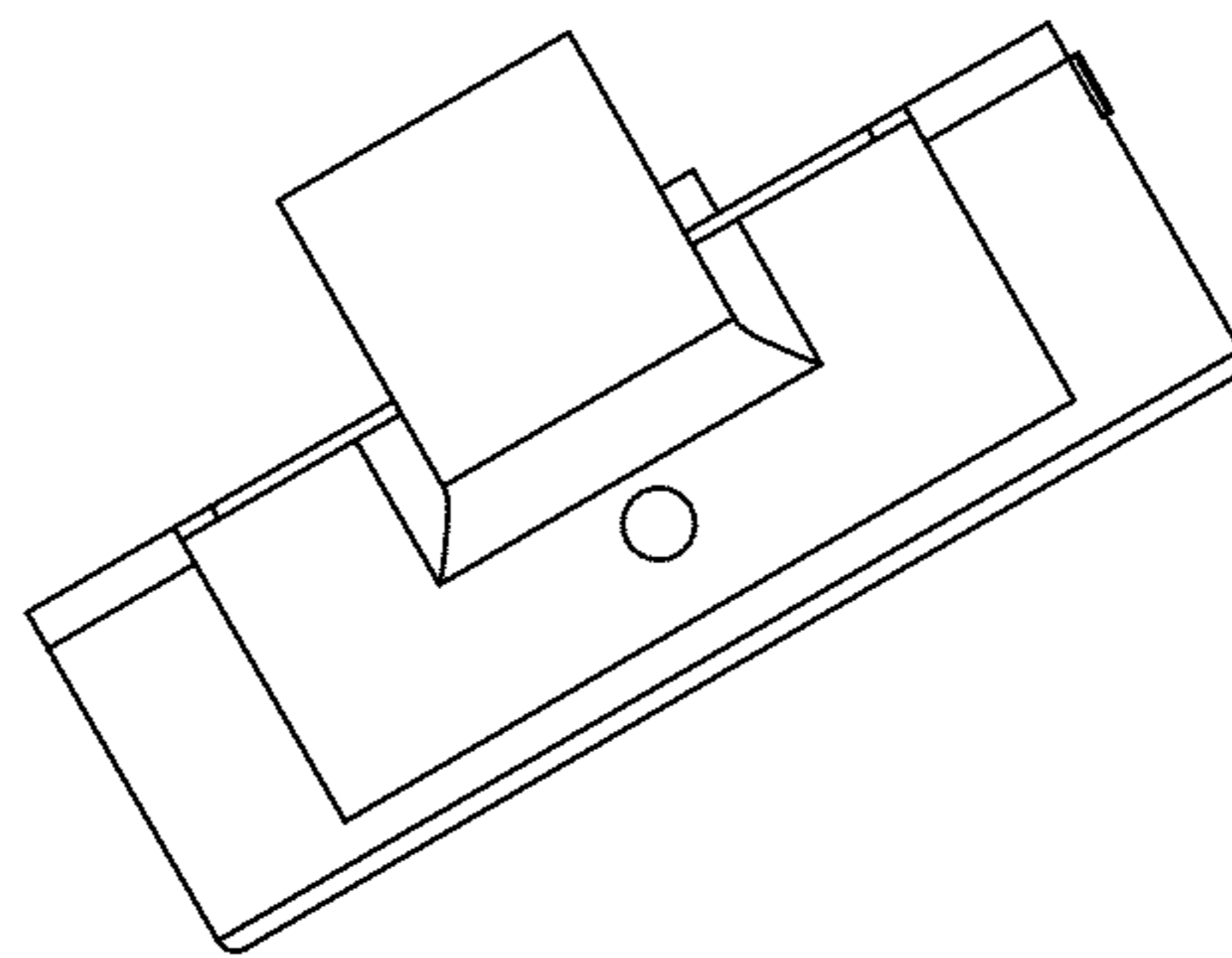


FIG. 18

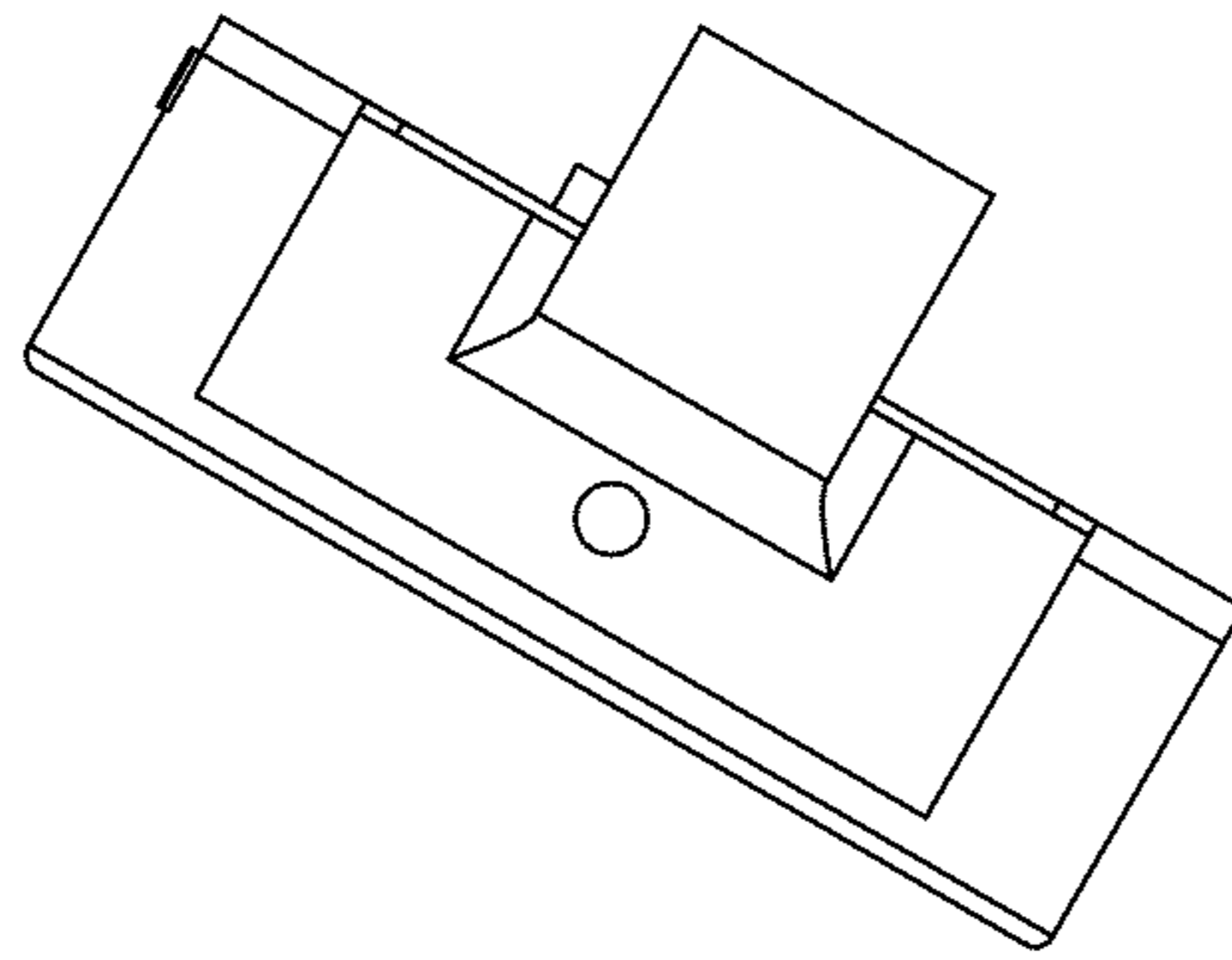


FIG. 19

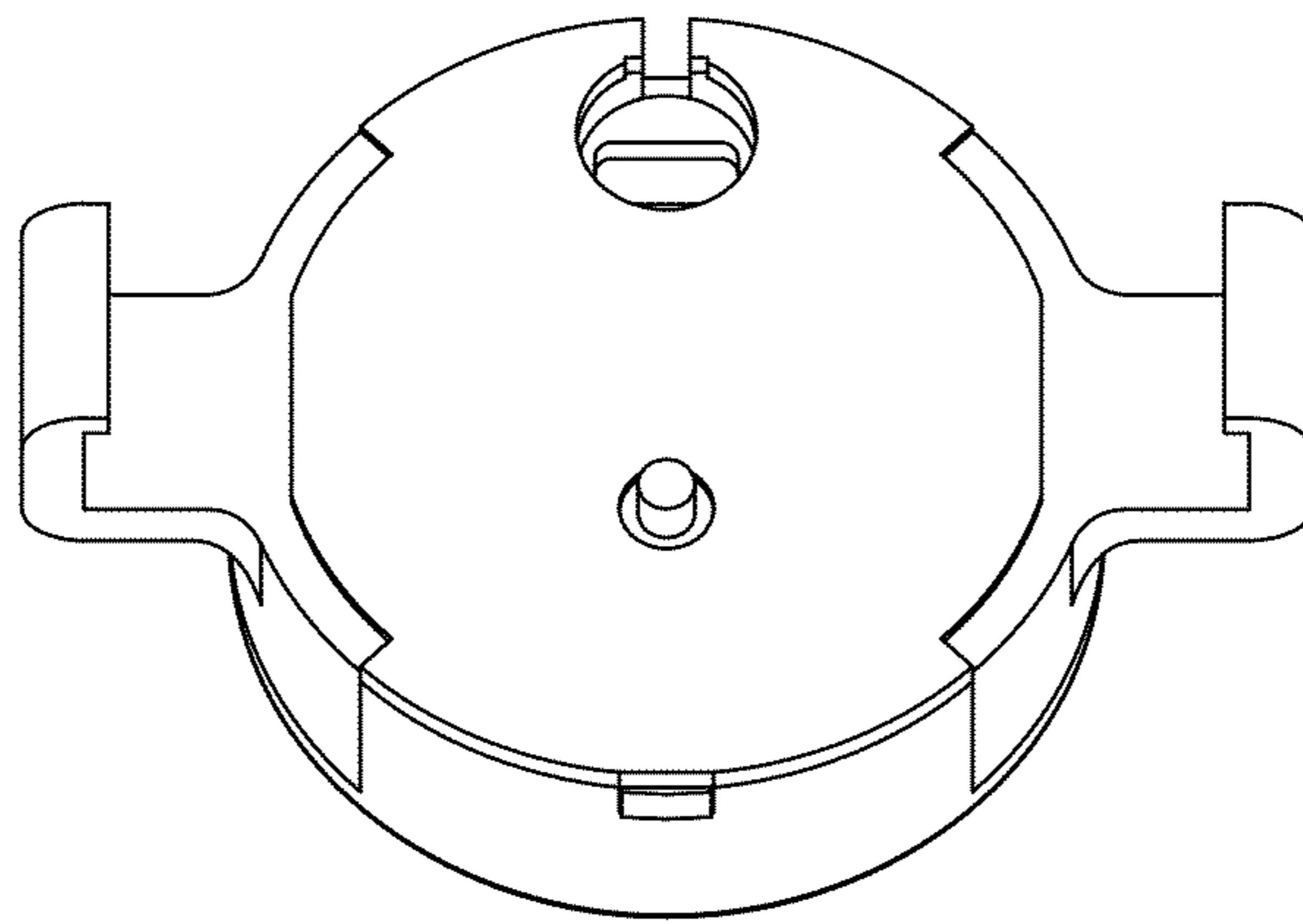


FIG. 20

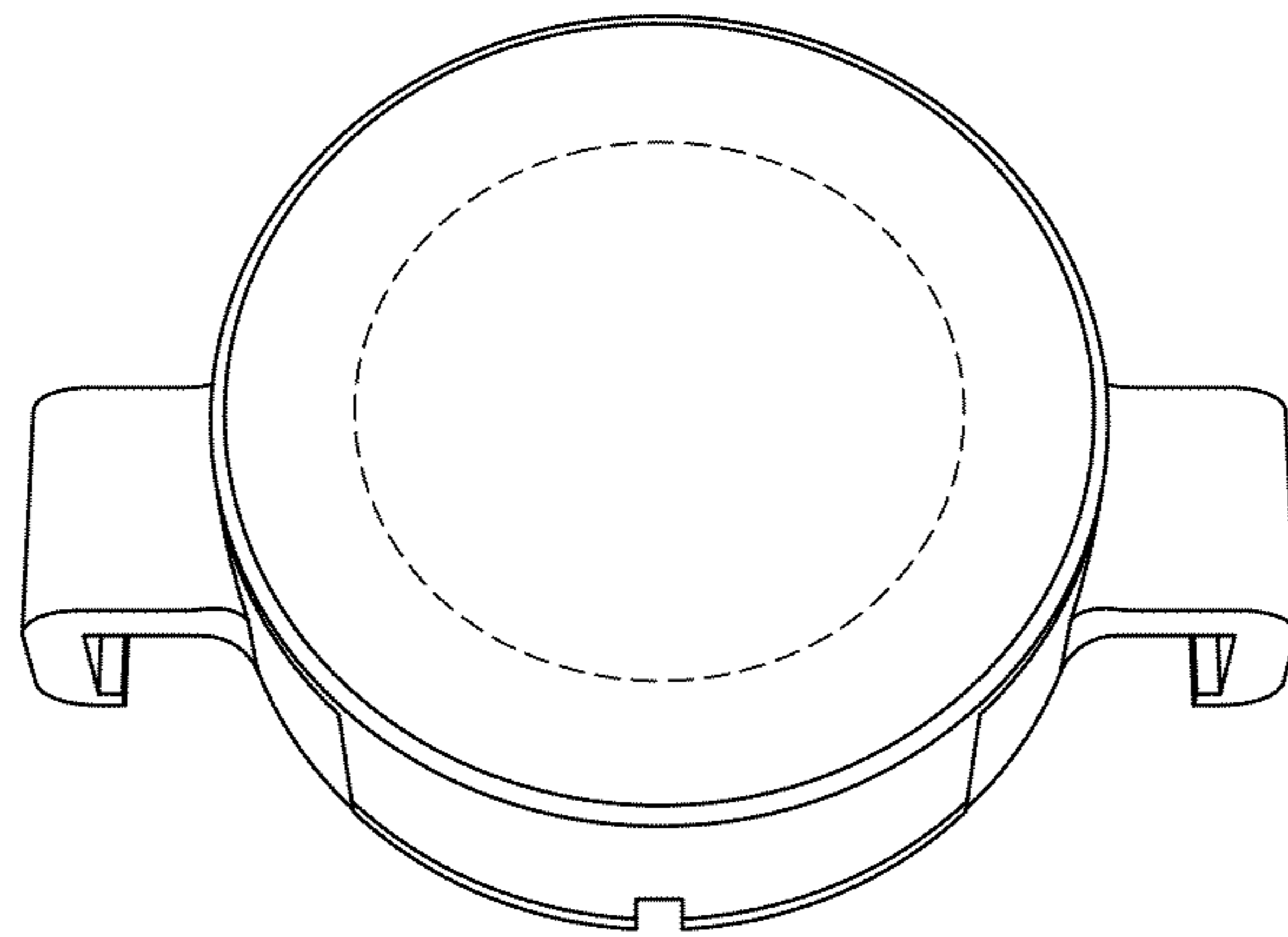


FIG. 21

UNITED STATES PATENT AND TRADEMARK OFFICE
CERTIFICATE OF CORRECTION

PATENT NO. : D696,259 S
APPLICATION NO. : 29/434593
DATED : December 24, 2013
INVENTOR(S) : Richard P. Howarth

Page 1 of 1

It is certified that error appears in the above-identified patent and that said Letters Patent is hereby corrected as shown below:

On the Title Page, the text under the heading CLAIM, “The ornamental design for display stand, thereof, as shown and described.” should be replaced with --The ornamental design for a display stand, as shown and described.--.

Signed and Sealed this
Eighth Day of April, 2014



Michelle K. Lee
Deputy Director of the United States Patent and Trademark Office