



US00D696258S

(12) **United States Design Patent**
Padilla

(10) **Patent No.:** **US D696,258 S**

(45) **Date of Patent:** **** Dec. 24, 2013**

(54) **TABLET STAND**

(71) Applicant: **Fellowes, Inc.**, Itasca, IL (US)

(72) Inventor: **Jose Luis Padilla**, La Grange Park, IL (US)

(73) Assignee: **Fellowes, Inc.**, Itasca, IL (US)

(**) Term: **14 Years**

(21) Appl. No.: **29/433,927**

(22) Filed: **Oct. 5, 2012**

(51) **LOC (9) Cl.** **08-07**

(52) **U.S. Cl.**
USPC **D14/447**

(58) **Field of Classification Search**
USPC D14/432, 433, 434, 439, 440, 451, 452,
D14/239, 217, 224.1, 251, 252, 253, 457,
D14/458, 459, 460, 461; D6/406.1, 406.2,
D6/406.3, 406.4, 406.5, 406.6;
361/679.06, 679.21, 679.22, 679.24,
361/679.26, 679.27, 679.28, 679.3, 679.55,
361/679.56, 709; 248/917-924, 133, 136,
248/139, 150, 176.1, 188.6; D12/415
See application file for complete search history.

(56) **References Cited**

U.S. PATENT DOCUMENTS

D324,515 S * 3/1992 Harden et al. D14/451
D362,565 S * 9/1995 Tubbs et al. D6/419
D414,166 S * 9/1999 De Paris D14/447
D476,662 S * 7/2003 Knieper D14/460

D573,150 S * 7/2008 Sween D14/447
D575,077 S * 8/2008 Kessels D6/406.3
D578,130 S * 10/2008 Sween et al. D14/447
D621,406 S * 8/2010 Hoehn et al. D14/447
D637,601 S * 5/2011 Symons D14/447
D643,845 S * 8/2011 Hong D14/447
D663,546 S * 7/2012 Jennings D6/406.3
D677,669 S * 3/2013 Liu D14/447
D678,886 S * 3/2013 Heckler D14/447

* cited by examiner

Primary Examiner — Angela J Lee

(74) Attorney, Agent, or Firm — Pillsbury Winthrop Shaw Pittman LLP

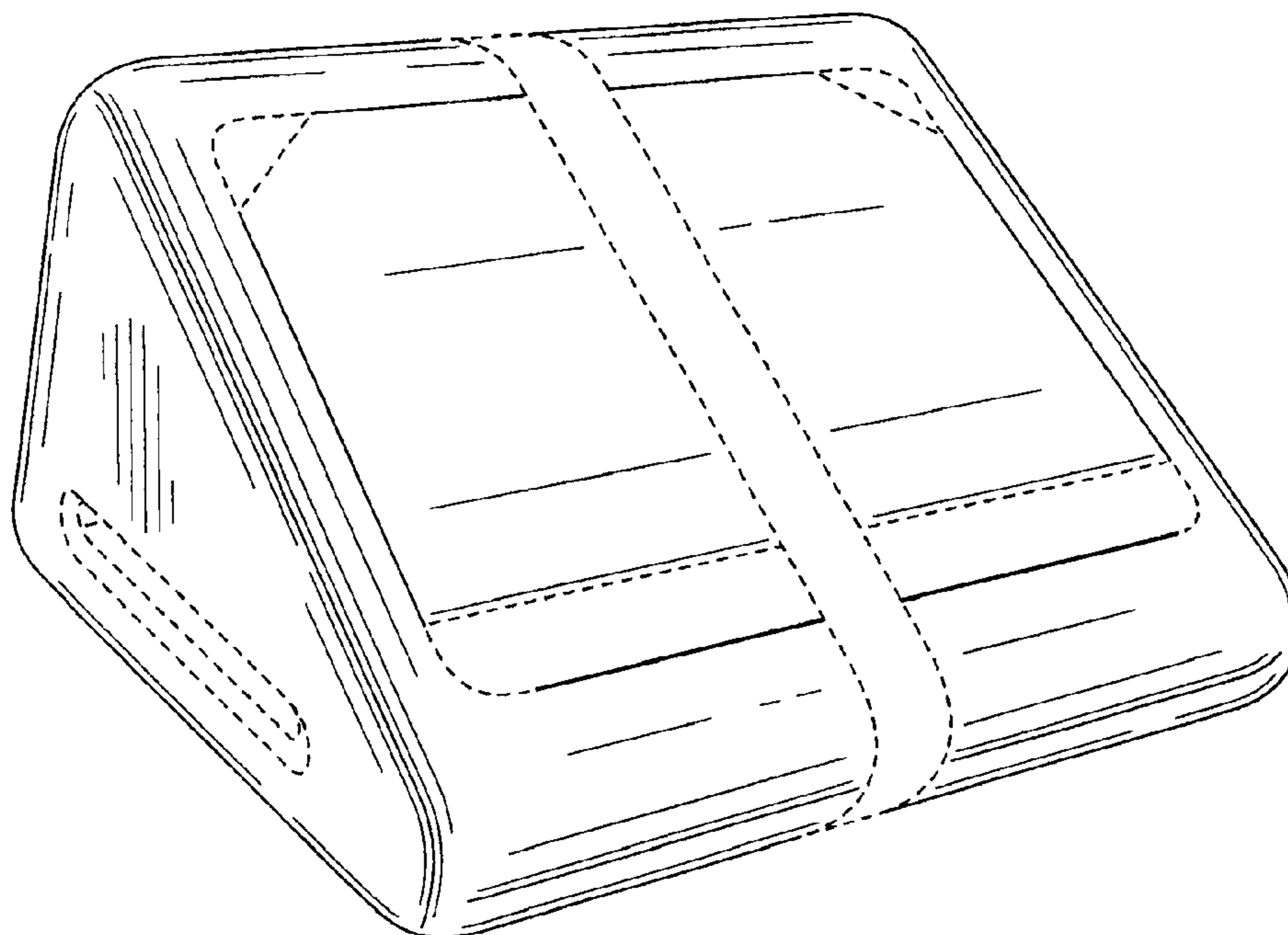
(57) **CLAIM**

The ornamental design for a tablet stand, as shown and described.

DESCRIPTION

FIG. 1 is a perspective view of a tablet stand showing the claimed design;
FIG. 2 is another perspective view thereof;
FIG. 3 is yet another perspective view thereof;
FIG. 4 is an elevational view of a first face thereof;
FIG. 5 is an elevational view of a second face thereof;
FIG. 6 is a side view of one side thereof;
FIG. 7 is a side view of the opposite side of FIG. 6 thereof;
FIG. 8 is a view looking down upon the first and second faces thereof; and,
FIG. 9 is an elevational view of a third face thereof.
The subject matter in broken lines forms no part of the claim.

1 Claim, 7 Drawing Sheets



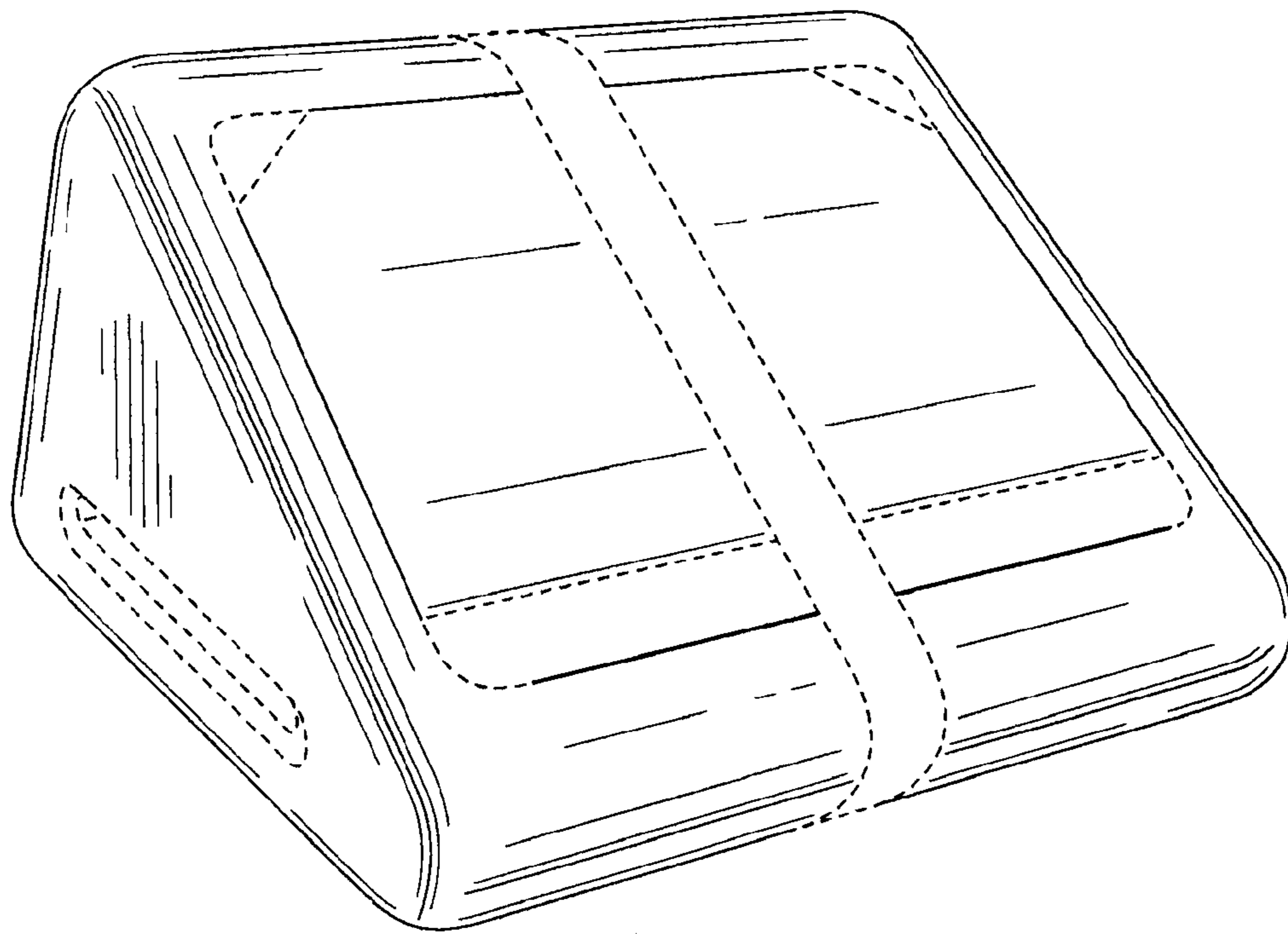


FIG. 1

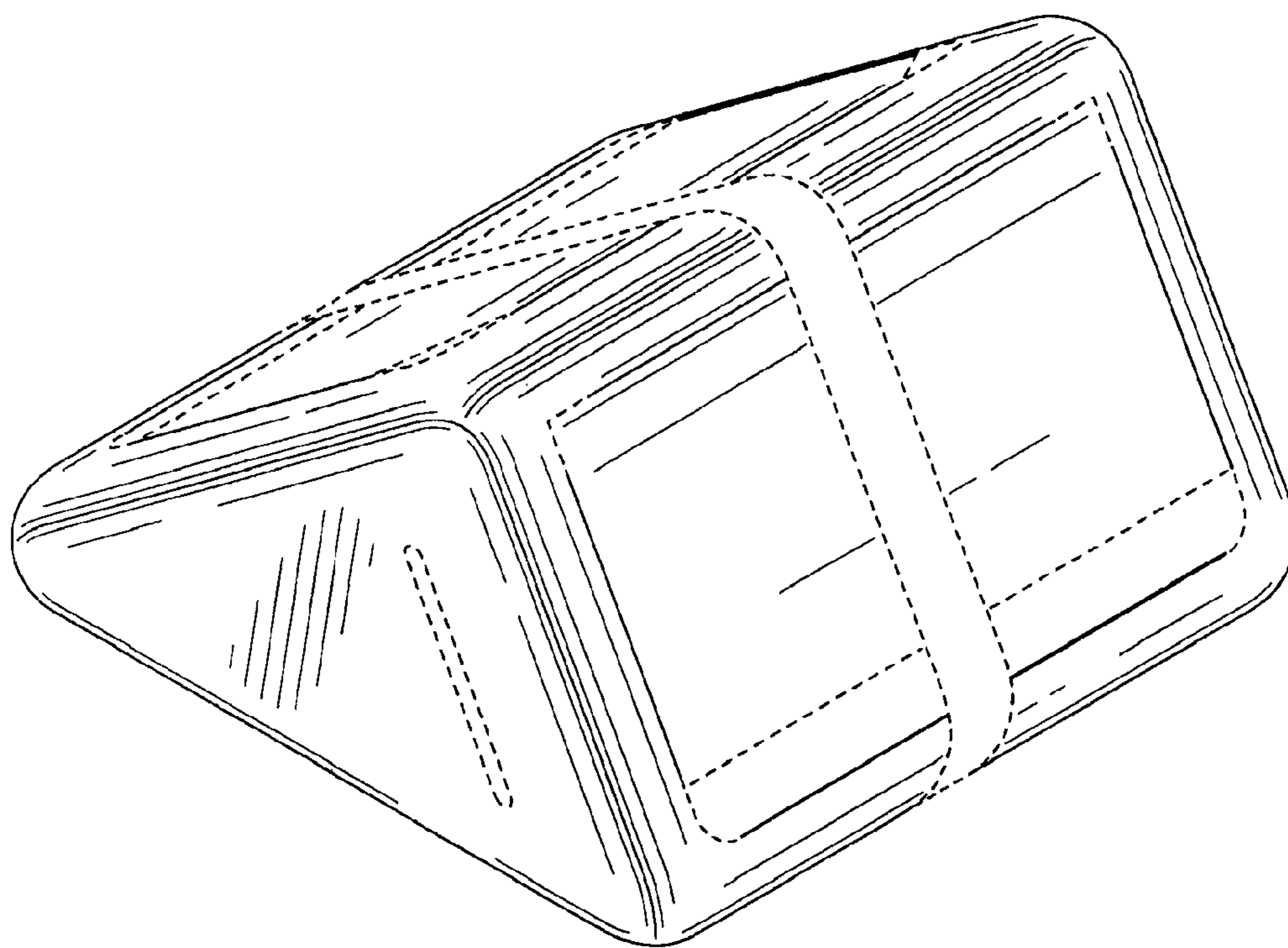


FIG. 2

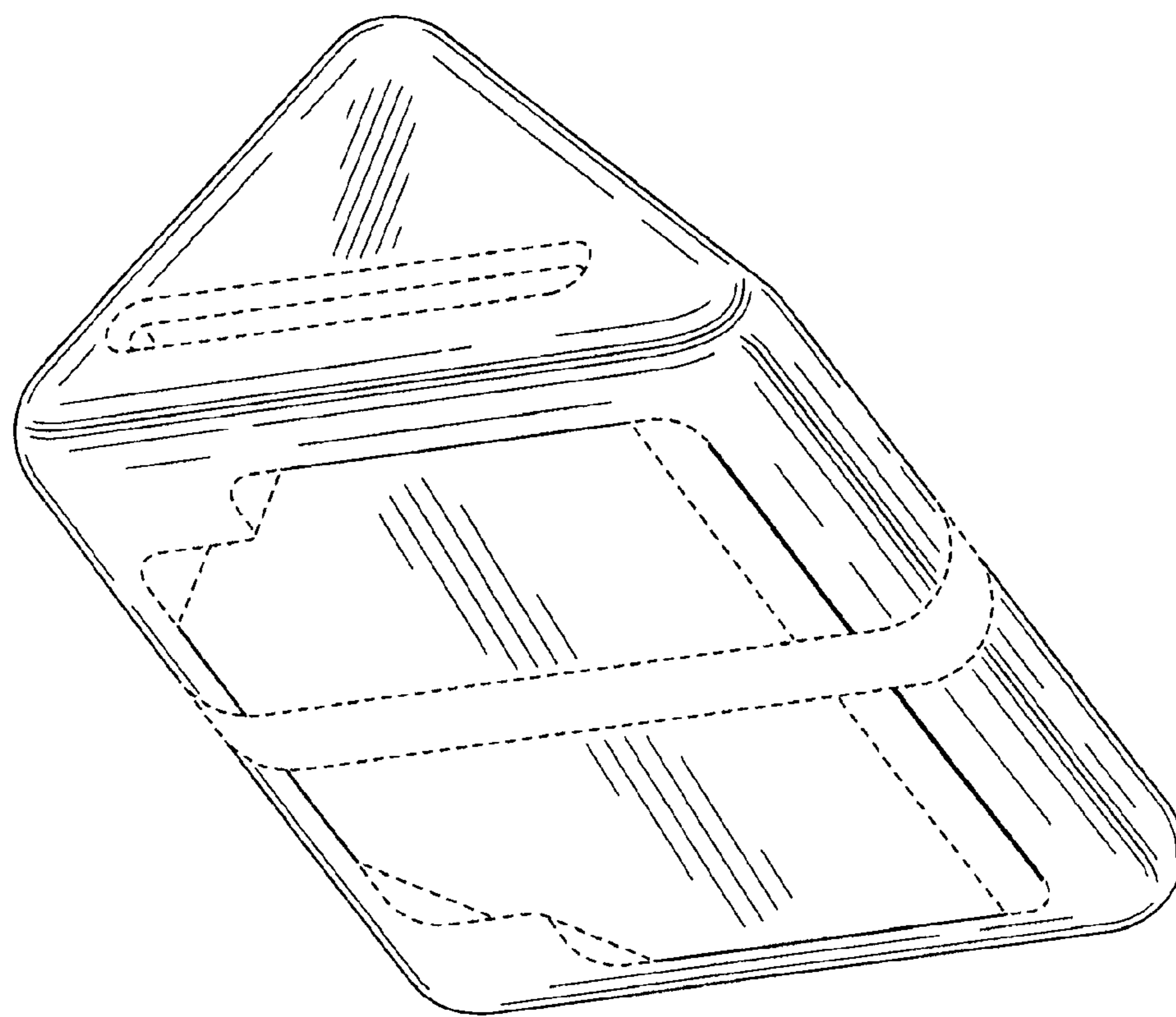


FIG. 3

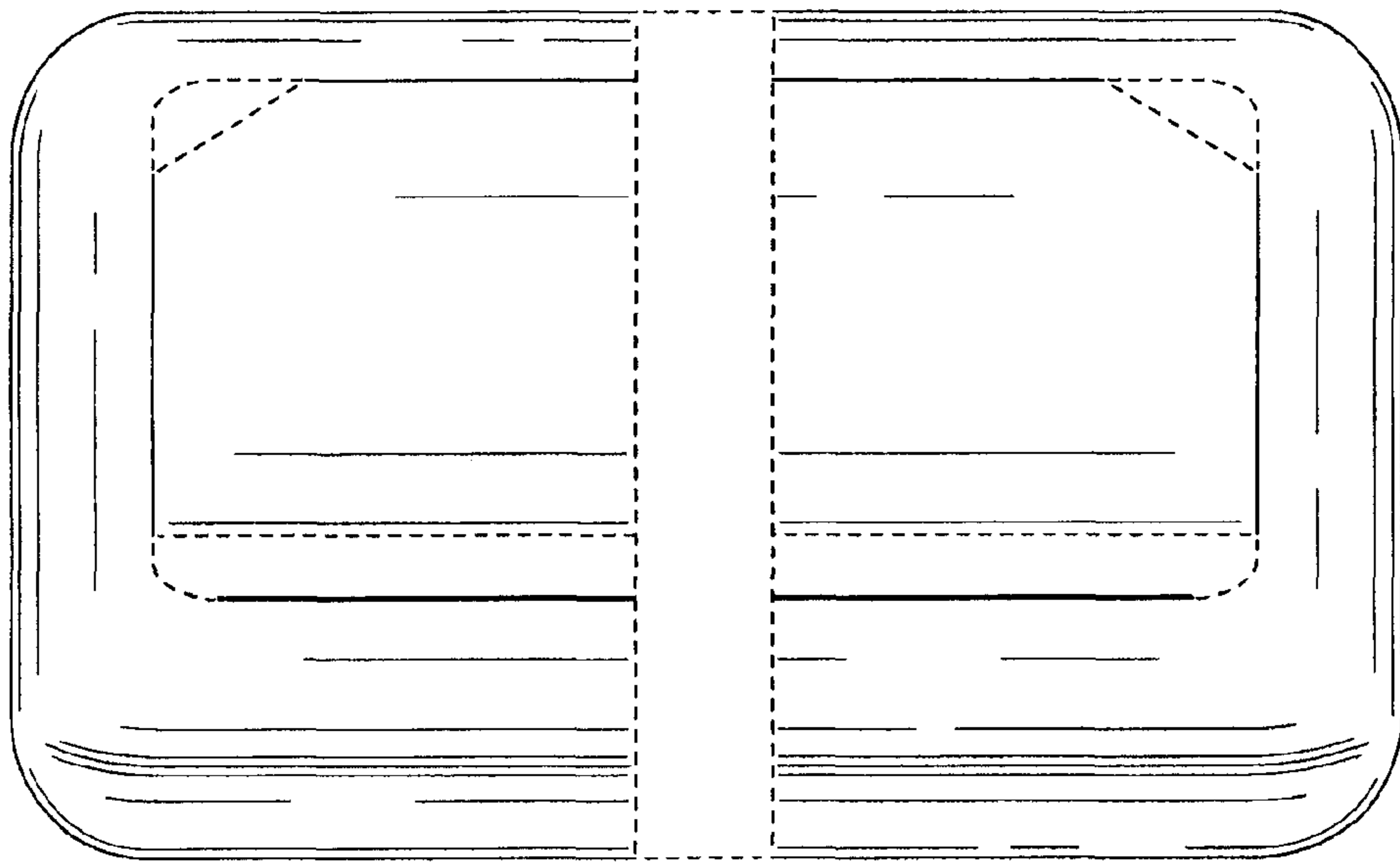


FIG. 4

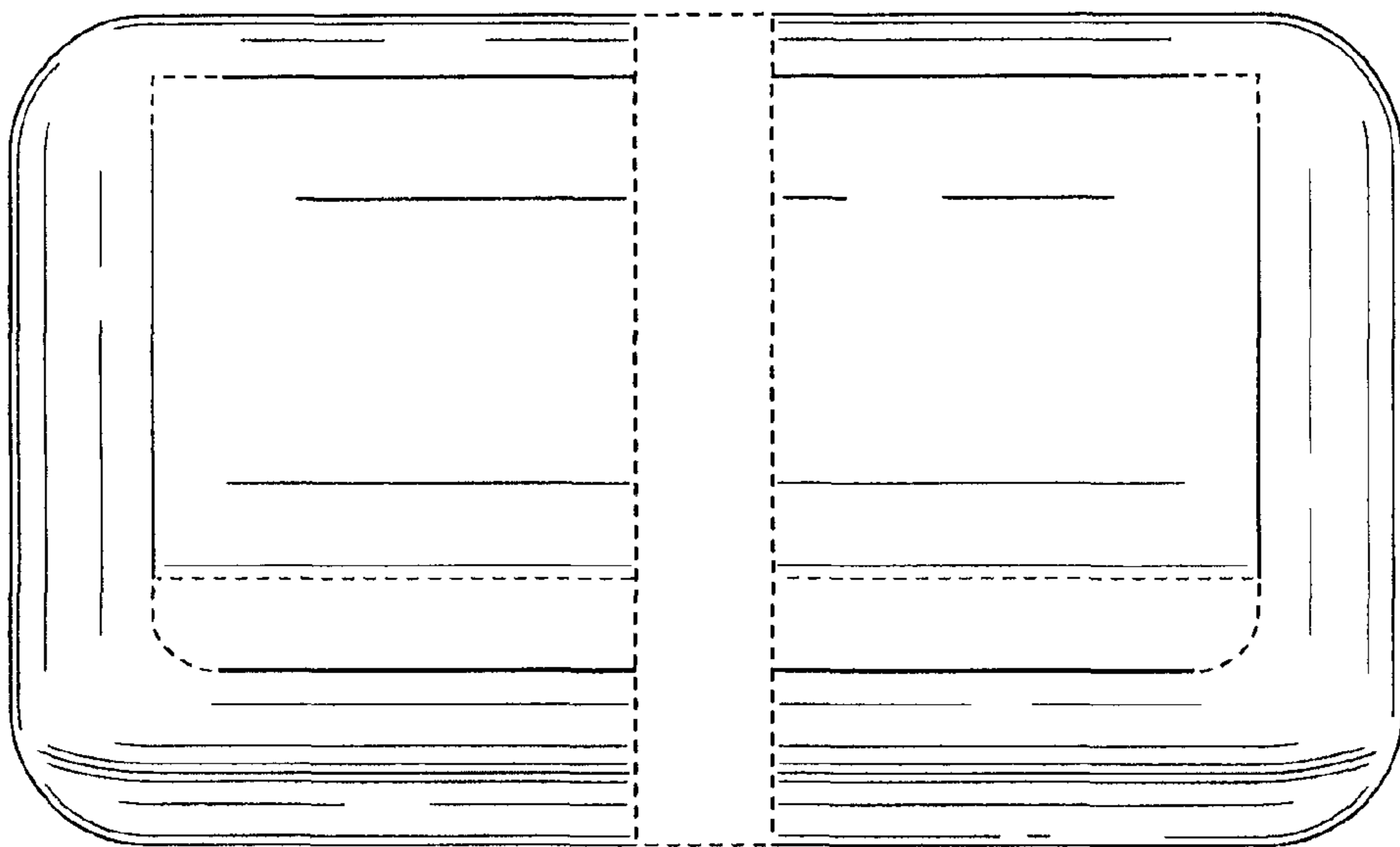


FIG. 5

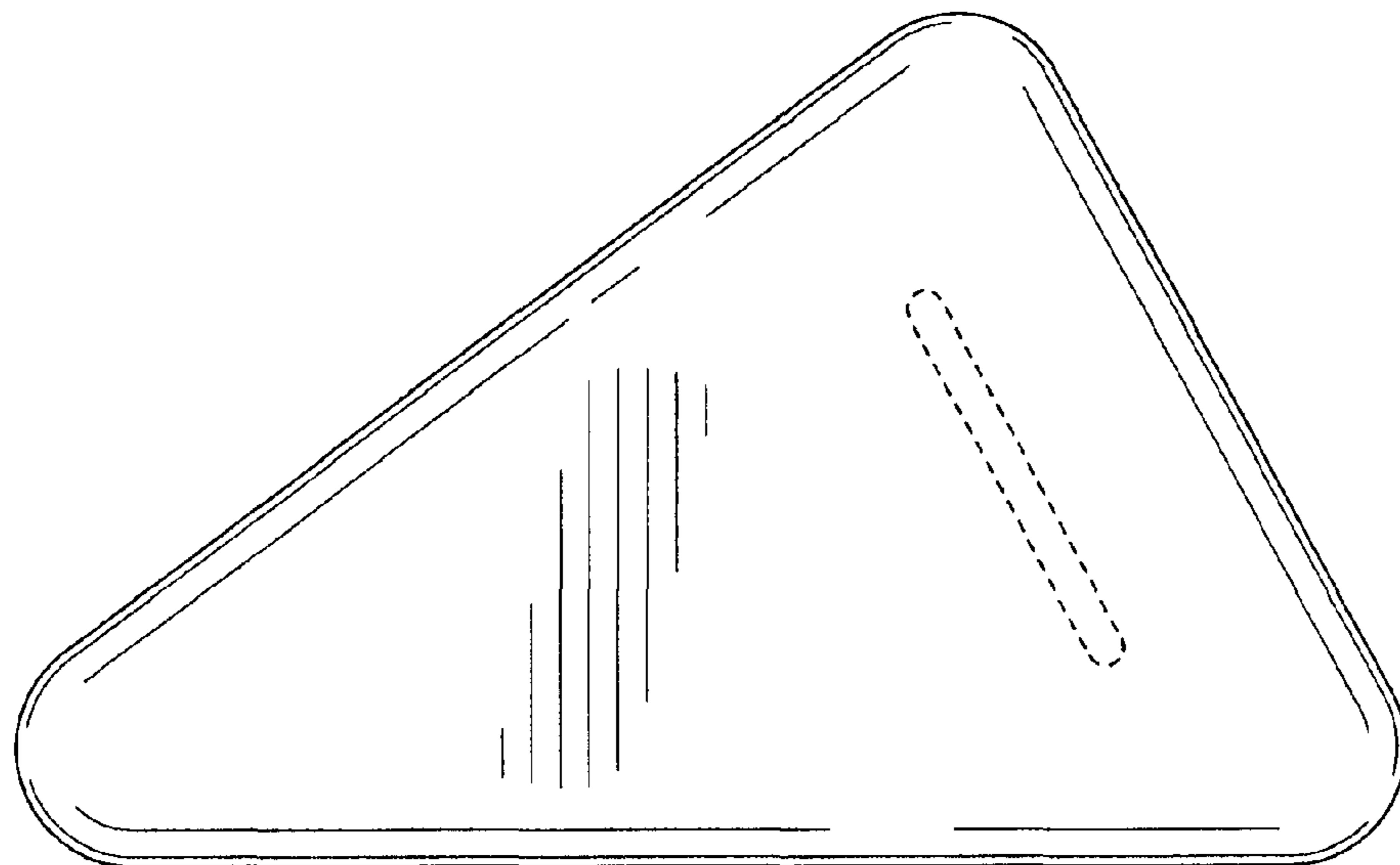


FIG. 6

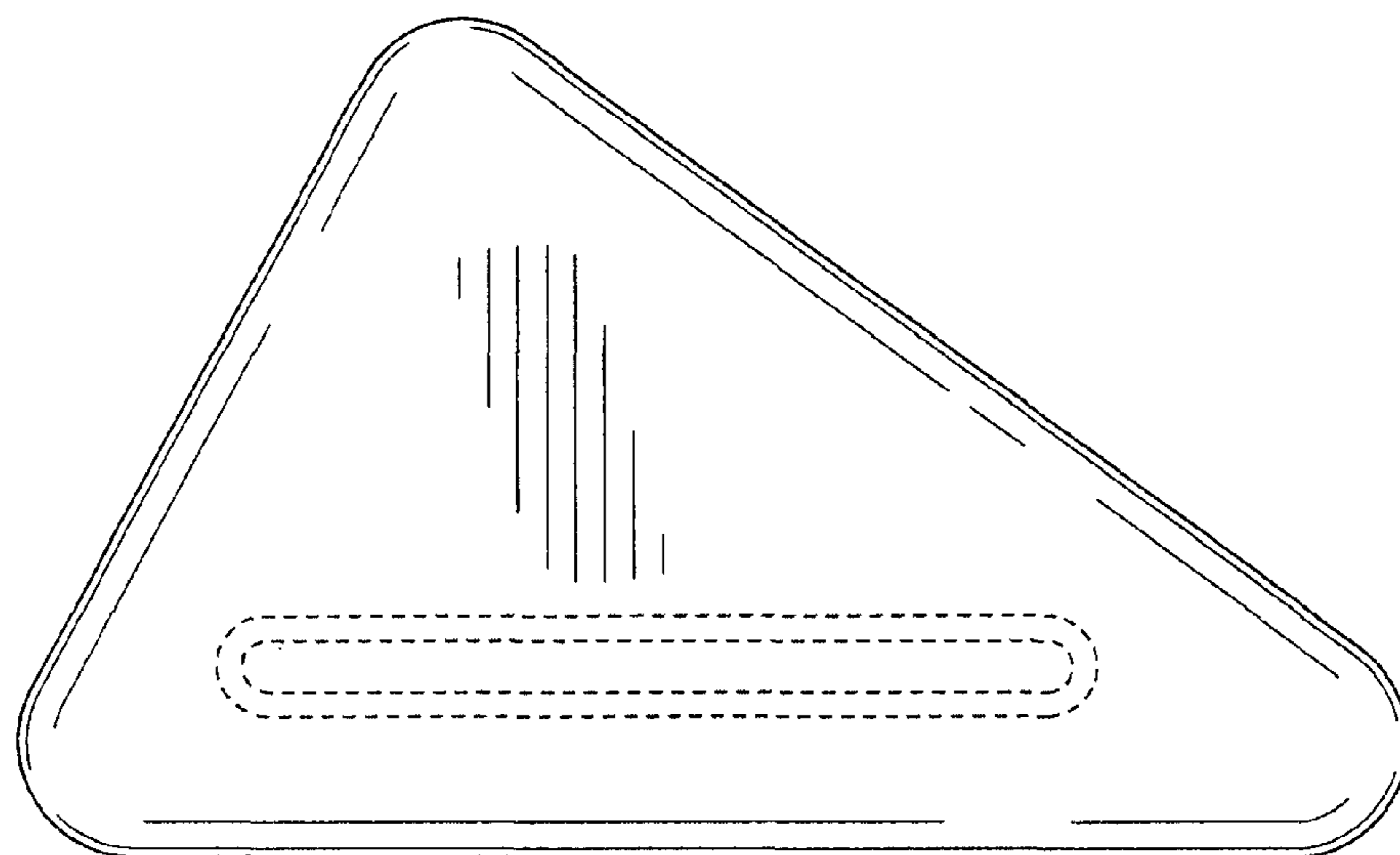


FIG. 7

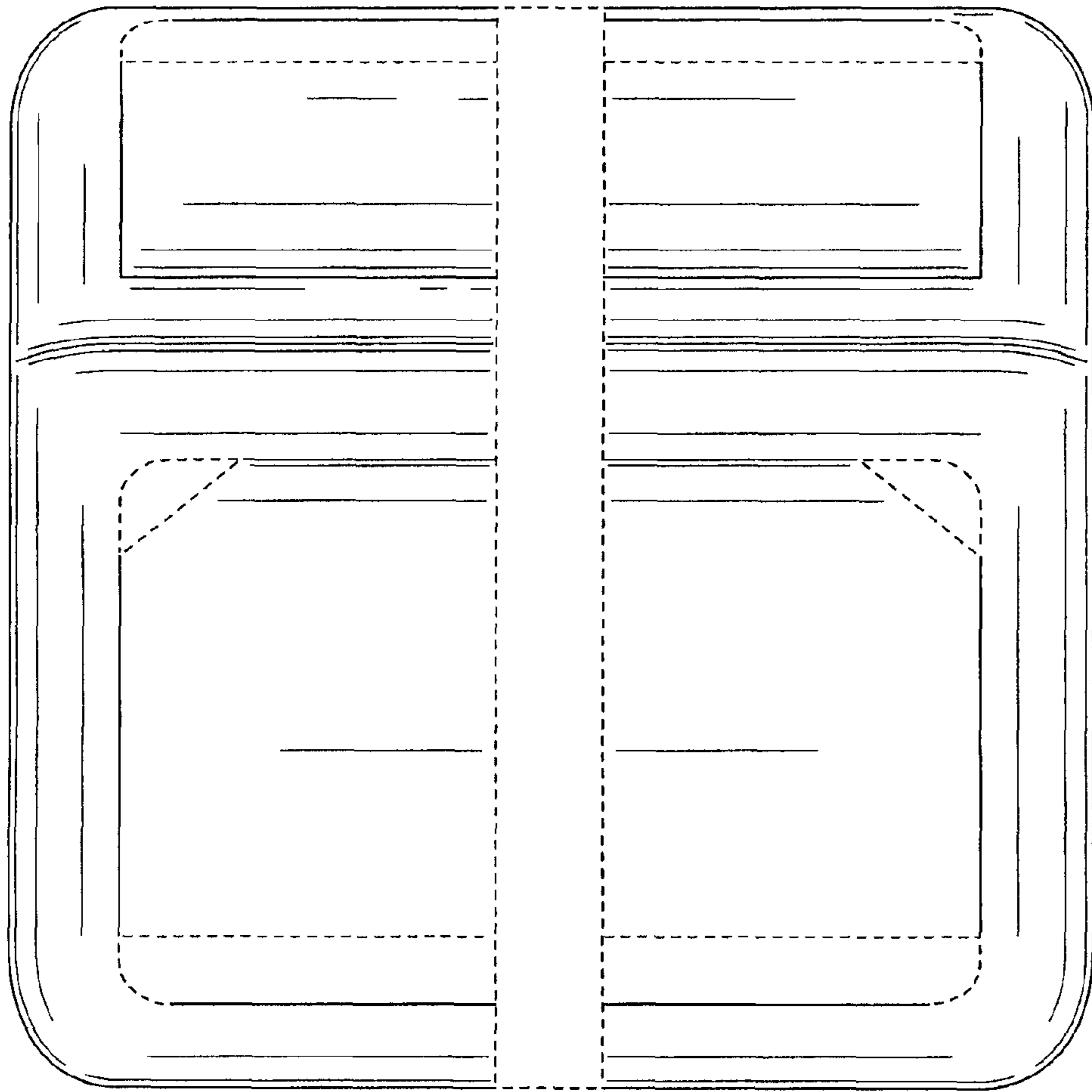


FIG. 8

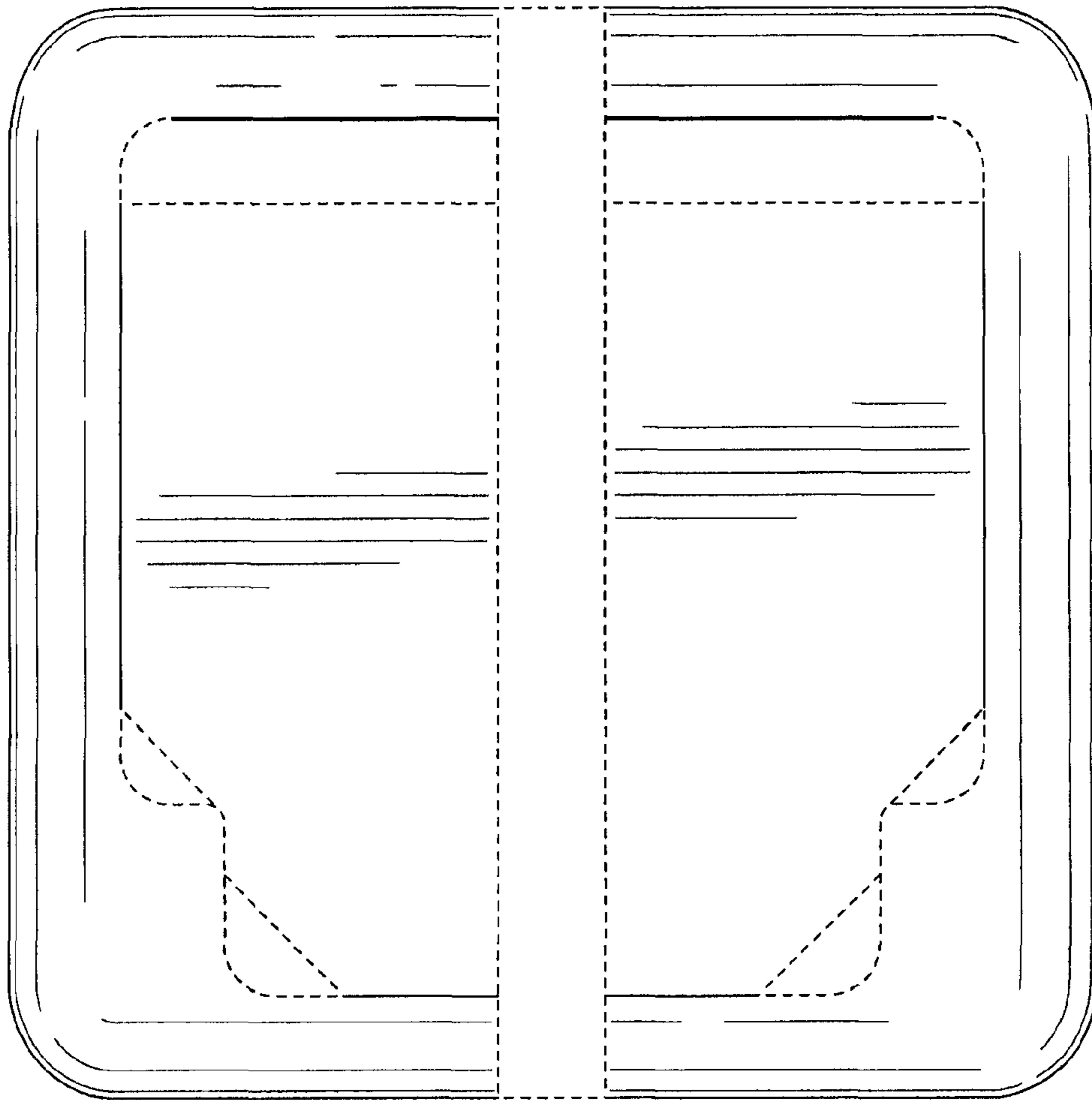


FIG. 9