



US00D696256S

(12) **United States Design Patent**
Piedra et al.

(10) **Patent No.:** **US D696,256 S**

(45) **Date of Patent:** **** Dec. 24, 2013**

- (54) **E-BOOK READER CASE**
- (75) Inventors: **Christopher Piedra**, Miramar, FL (US);
Chanseol Chung, Hollywood, FL (US);
Stephen Heaven, Doral, FL (US)
- (73) Assignee: **Marware Inc.**, Hollywood, FL (US)
- (**) Term: **14 Years**
- (21) Appl. No.: **29/414,267**
- (22) Filed: **Feb. 27, 2012**
- (51) **LOC (9) Cl.** **14-02**
- (52) **U.S. Cl.**
USPC **D14/440**
- (58) **Field of Classification Search**
USPC D14/250, 251, 253, 240, 217, 496, 440,
D14/203.3, 203.4, 203.5, 203.8, 341, 318;
D3/218, 215, 201, 294, 289, 900;
220/4.02; 248/309.1; 361/679.56;
379/426, 433.11, 455; 455/575.1,
455/575.8; 190/100; 206/305, 320;
D21/469
See application file for complete search history.

- D669,480 S * 10/2012 Piedra et al. D14/440
- D672,353 S * 12/2012 Liu D14/440
- D672,781 S * 12/2012 Lu D14/440
- D678,292 S * 3/2013 Phillips et al. D14/440
- D679,279 S * 4/2013 Yang et al. D14/440

(Continued)

Primary Examiner — Cynthia Underwood

(74) *Attorney, Agent, or Firm* — Laurence A. Greenberg;
Werner H. Stemer; Ralph E. Locher

(57) **CLAIM**

The ornamental design for an e-book reader case, as shown and described.

DESCRIPTION

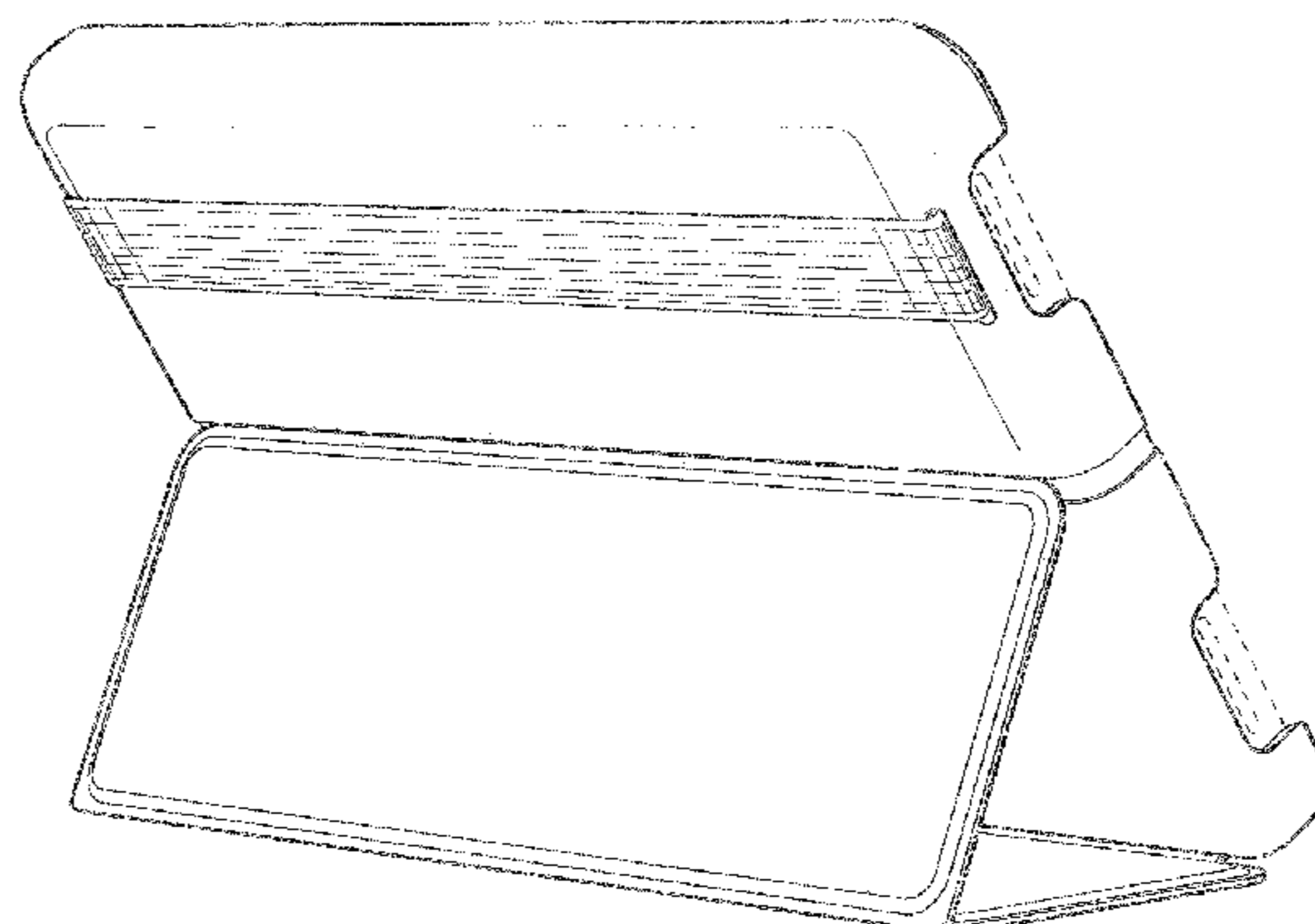
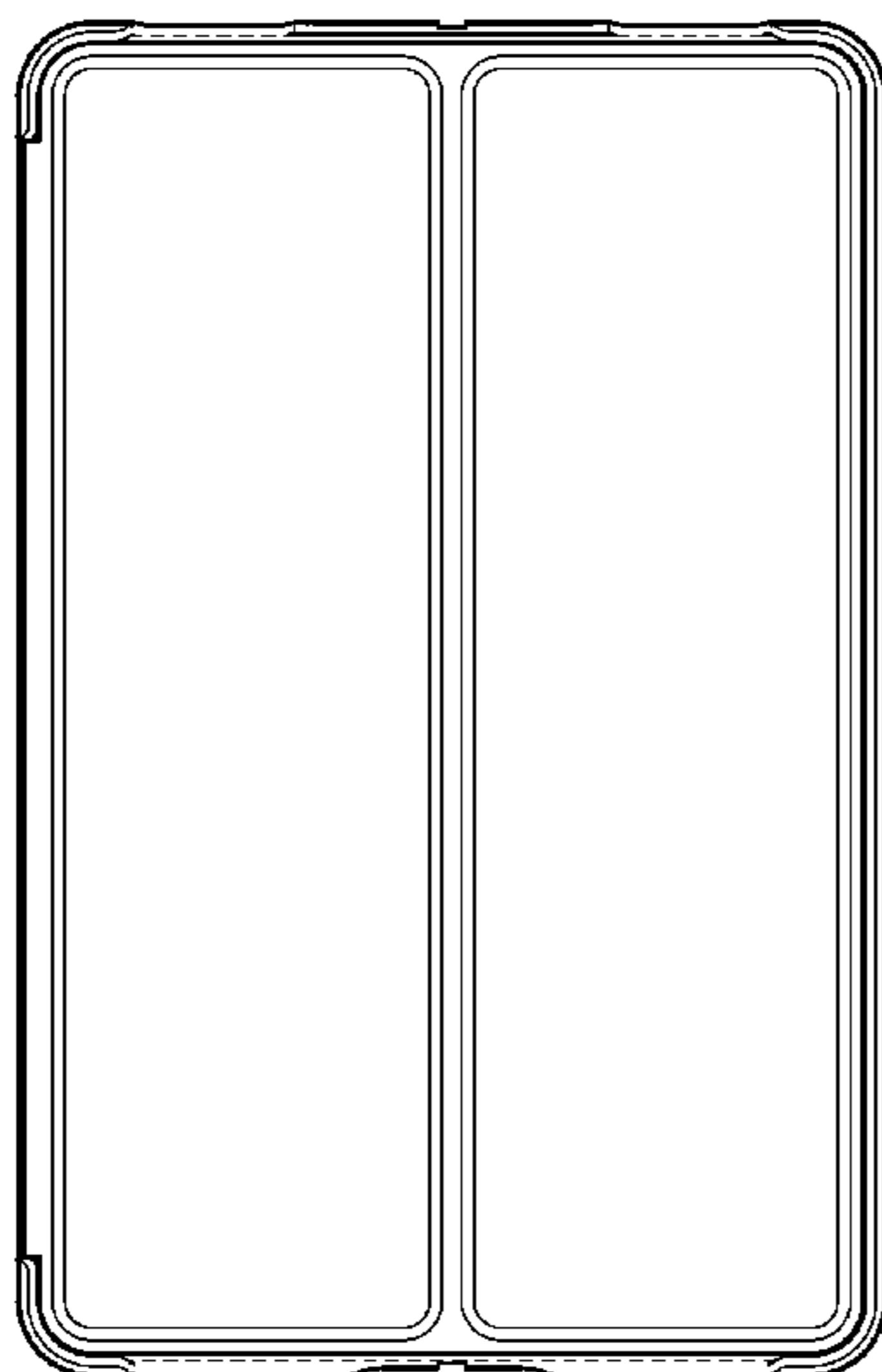
FIG. 1 is a front-elevational view of the e-book reader case of the invention in a closed condition;
 FIG. 2 is a left side-elevational view thereof;
 FIG. 3 is a right side-elevational view thereof;
 FIG. 4 is a top-plan view thereof;
 FIG. 5 is a bottom-plan view thereof;
 FIG. 6 is a rear-elevational view thereof with a strap in an outer position;
 FIG. 7 is a front and top-perspective view thereof in an open position;
 FIG. 8 is a front and top perspective view thereof with the strap in the outer position;
 FIG. 9 is a rear and top-perspective view thereof with the strap in an inner position for holding an e-book reader;
 FIG. 10 is a rear and bottom-perspective view thereof with the strap in the inner position;
 FIG. 11 is a rear and top-perspective view thereof with the strap in the outer position; and,
 FIG. 12 is a rear, top and side-perspective view thereof with the strap in the outer position and a front cover folded into a stand and engaged into a groove in a rear cover.
 In the drawings, the broken lines show detail that form no part of the claim.

1 Claim, 4 Drawing Sheets

(56) **References Cited**

U.S. PATENT DOCUMENTS

- D230,376 S * 2/1974 Andrew D19/91
- 5,375,076 A * 12/1994 Goodrich et al. 361/679.17
- D356,120 S * 3/1995 Allen D21/335
- 5,480,118 A * 1/1996 Cross 248/459
- 6,772,879 B1 * 8/2004 Domotor 206/45.23
- D513,008 S * 12/2005 Takizawa et al. D14/447
- D600,699 S * 9/2009 Johnston et al. D14/440
- D628,197 S * 11/2010 Li D14/324
- D637,814 S * 5/2011 Akana et al. D3/303
- D658,186 S * 4/2012 Akana et al. D14/440
- D658,187 S * 4/2012 Diebel D14/440
- D658,188 S * 4/2012 Diebel D14/440
- D663,304 S * 7/2012 Akana et al. D14/440
- D665,812 S * 8/2012 Huang et al. D14/447



US D696,256 S

Page 2

(56)

References Cited

U.S. PATENT DOCUMENTS

D679,685 S * 4/2013 Cox D14/250
D682,836 S * 5/2013 Akana et al. D14/440

2010/0294683 A1* 11/2010 Mish et al. 206/320
2010/0294909 A1* 11/2010 Hauser et al. 248/456
2012/0037523 A1* 2/2012 Diebel et al. 206/320
2012/0194448 A1* 8/2012 Rothkopf 345/173

* cited by examiner

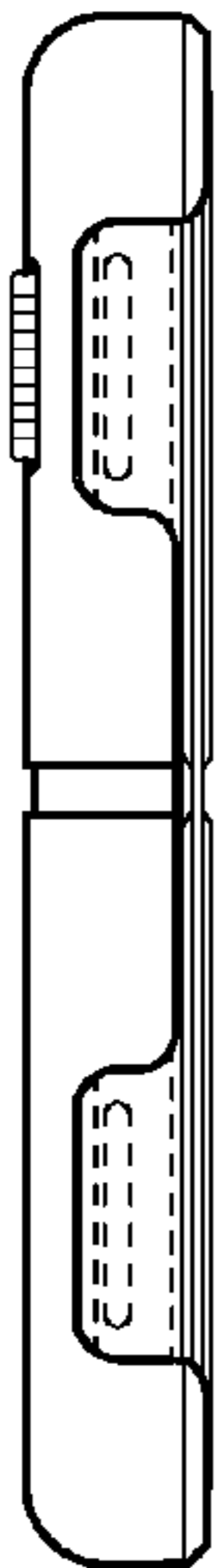


FIG. 4

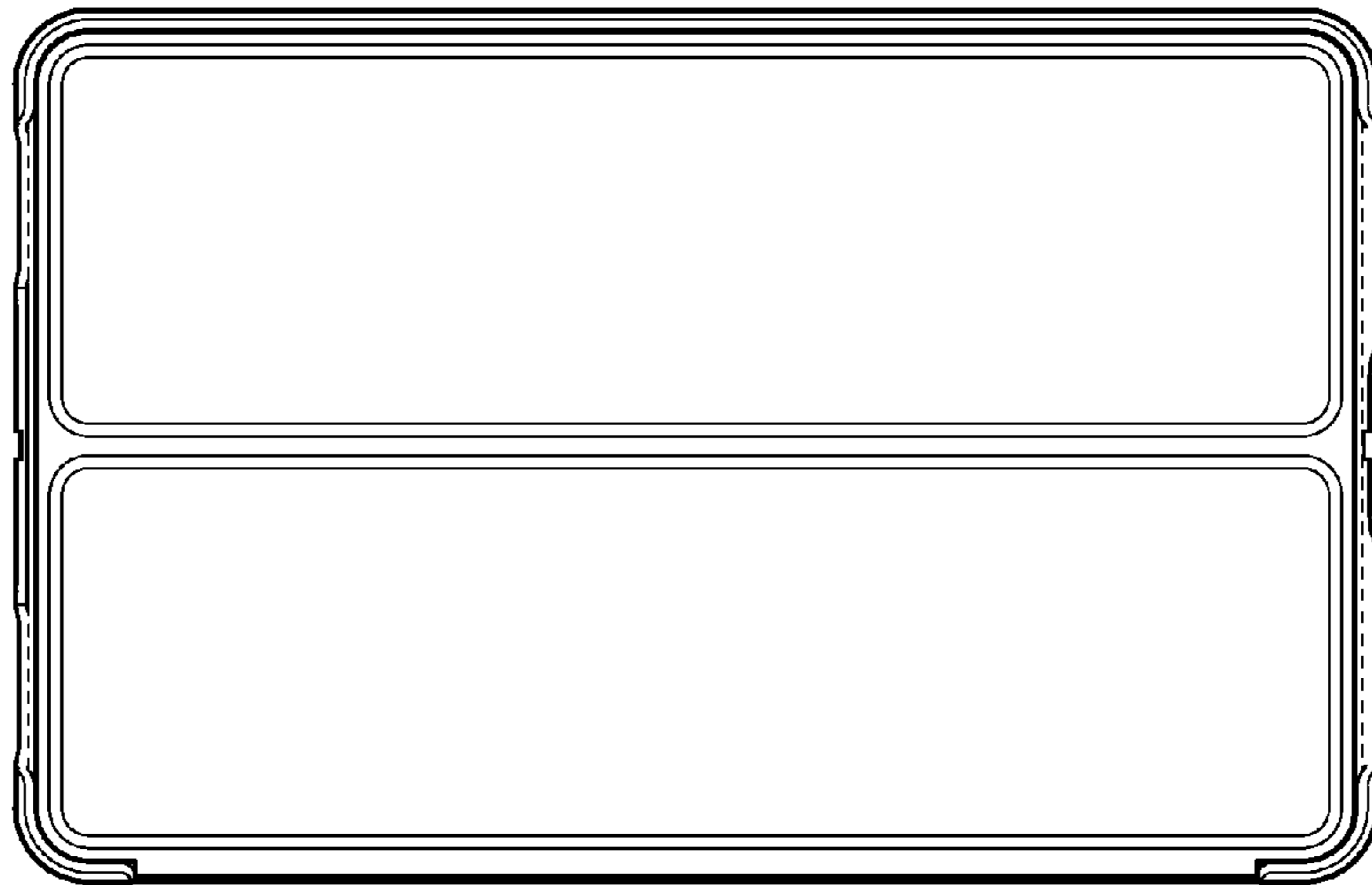


FIG. 1

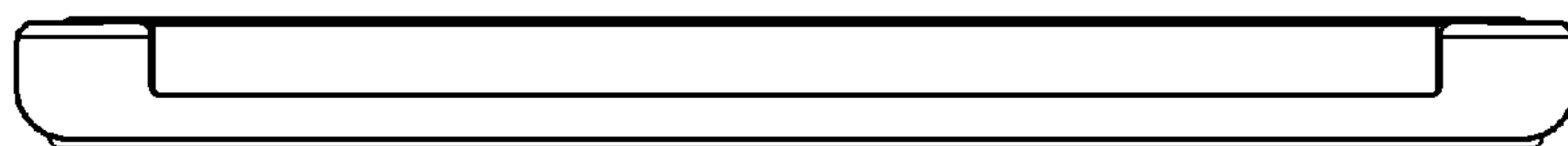


FIG. 2



FIG. 3

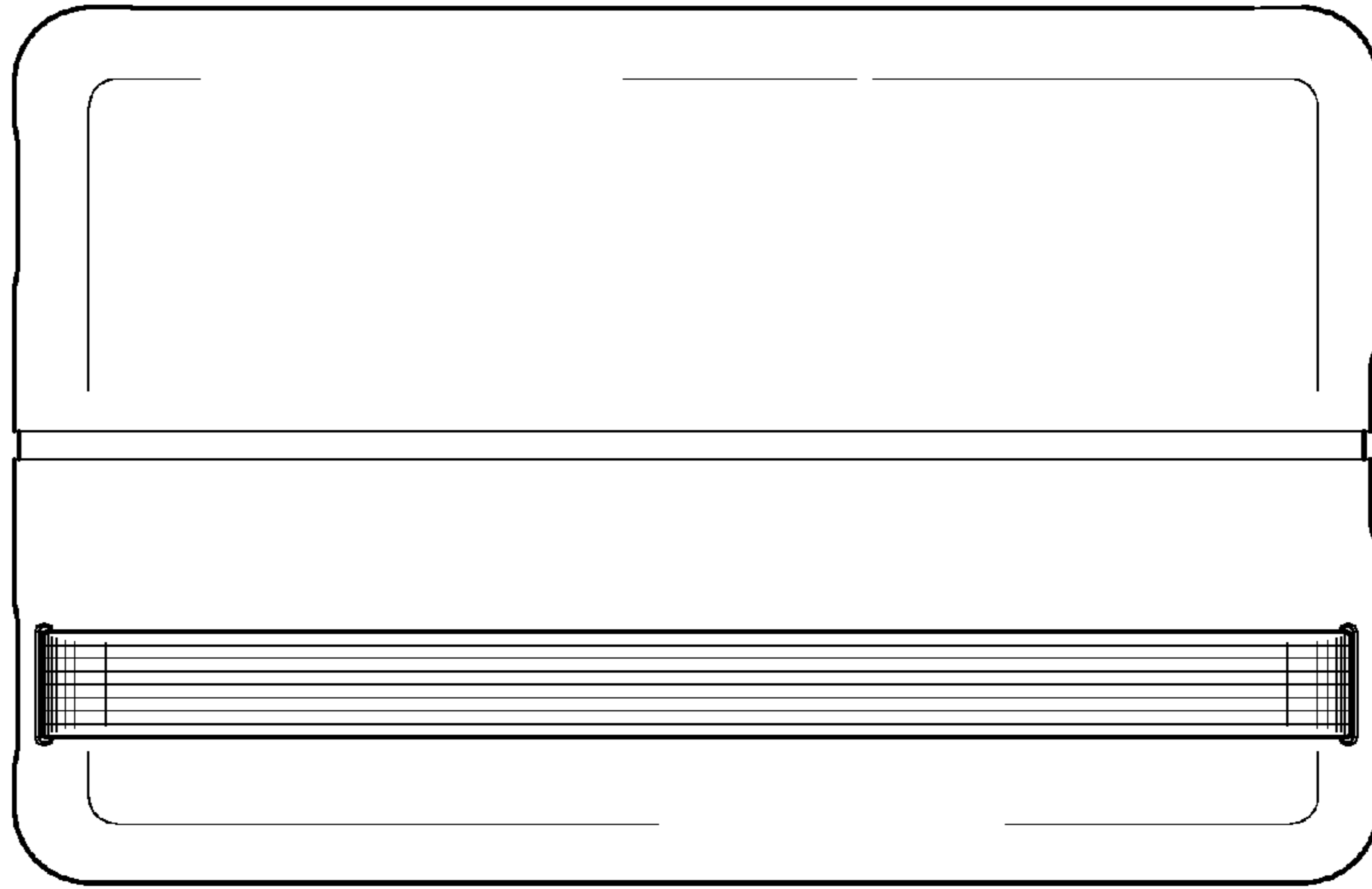


FIG. 6

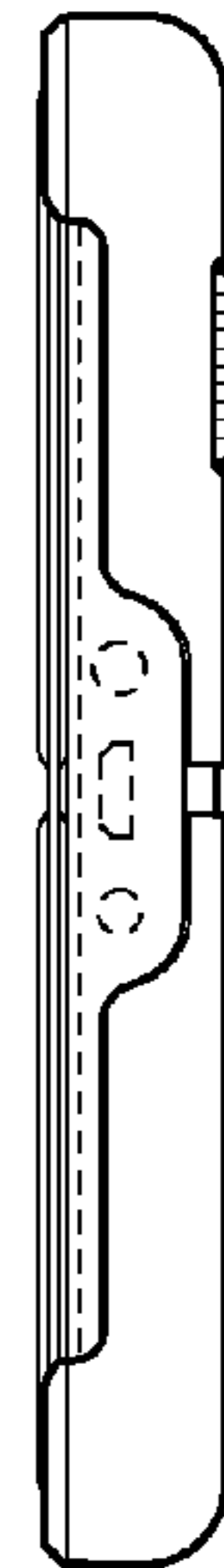


FIG. 5

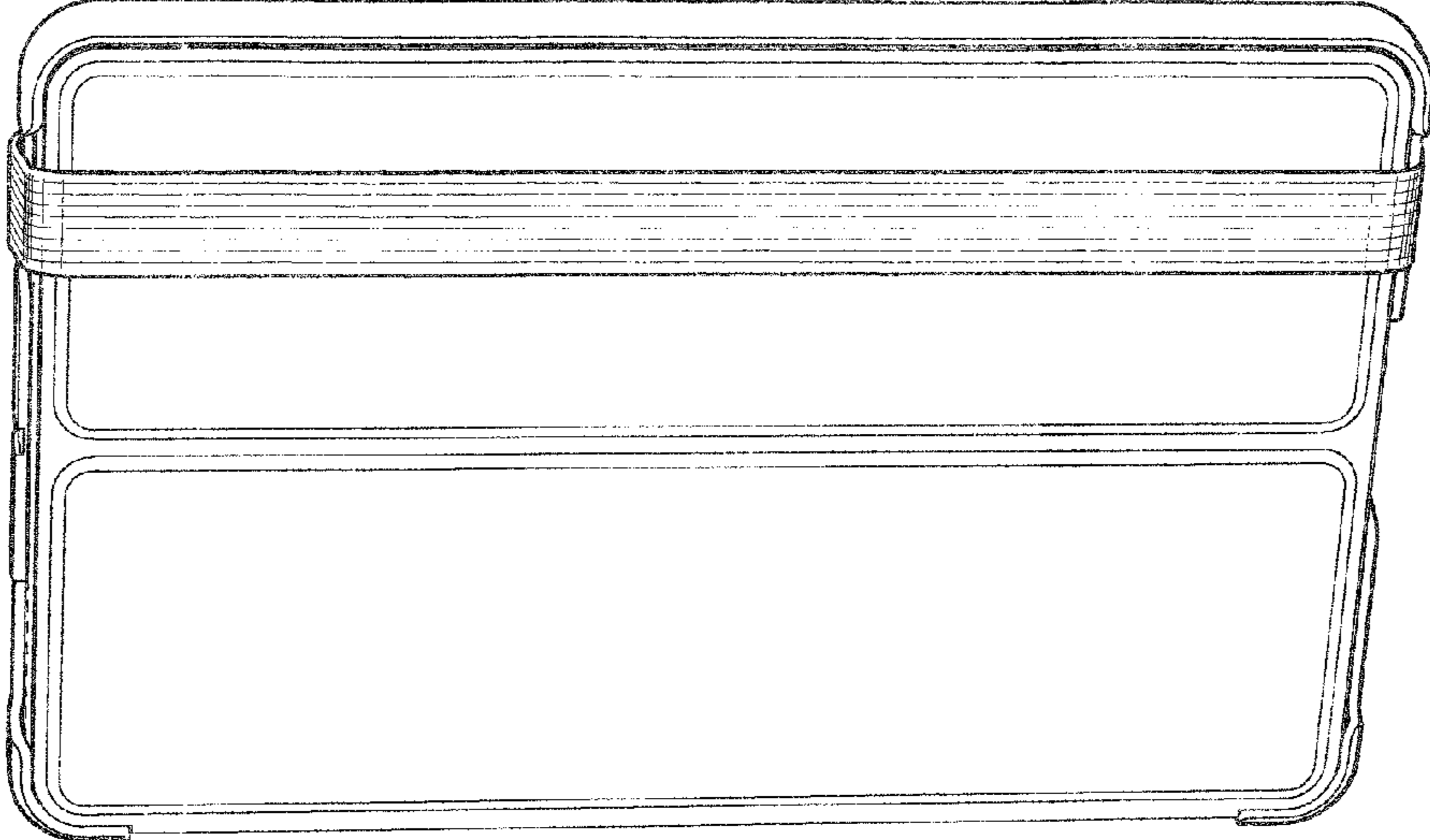


FIG. 8

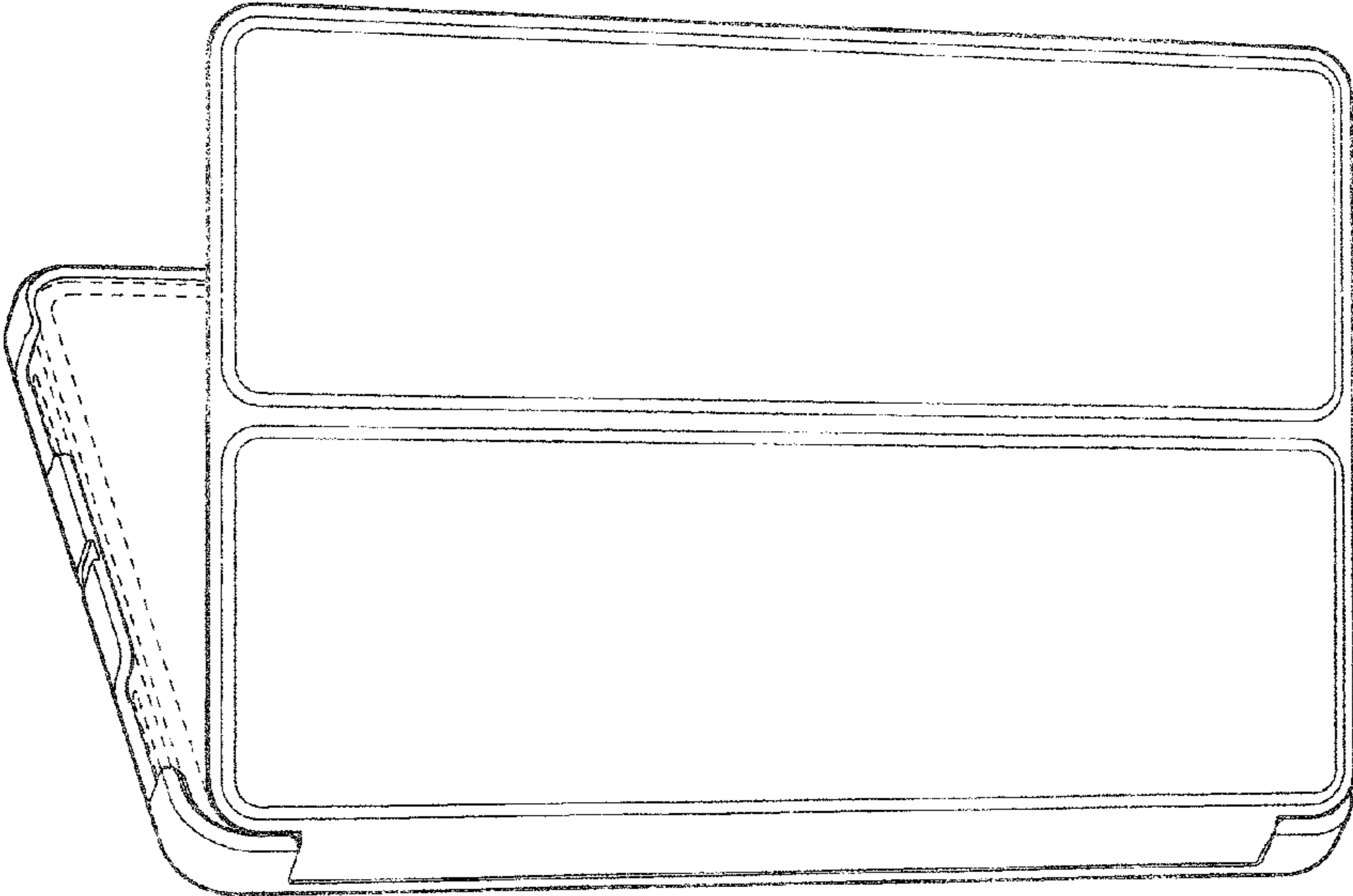


FIG. 7

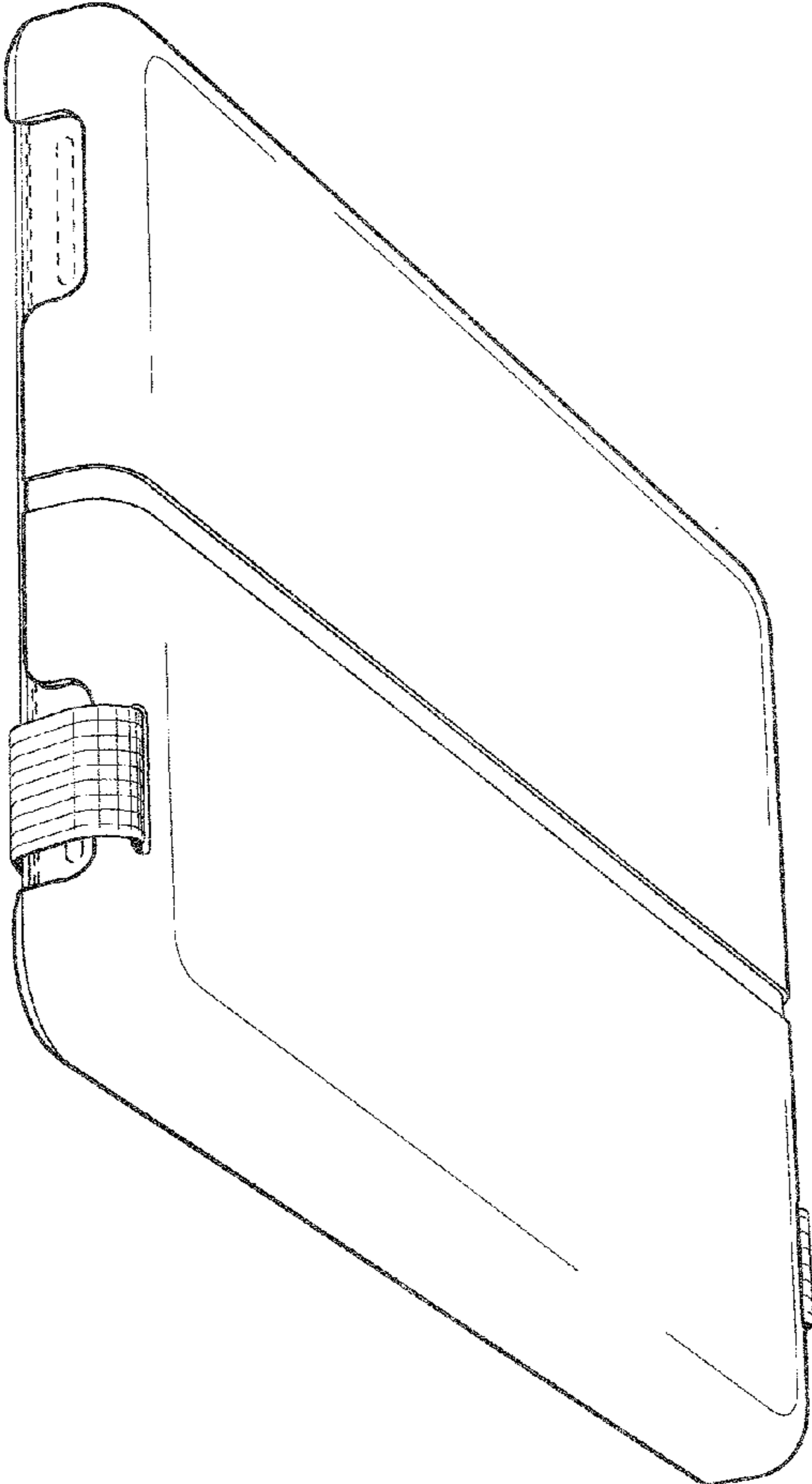


FIG. 9

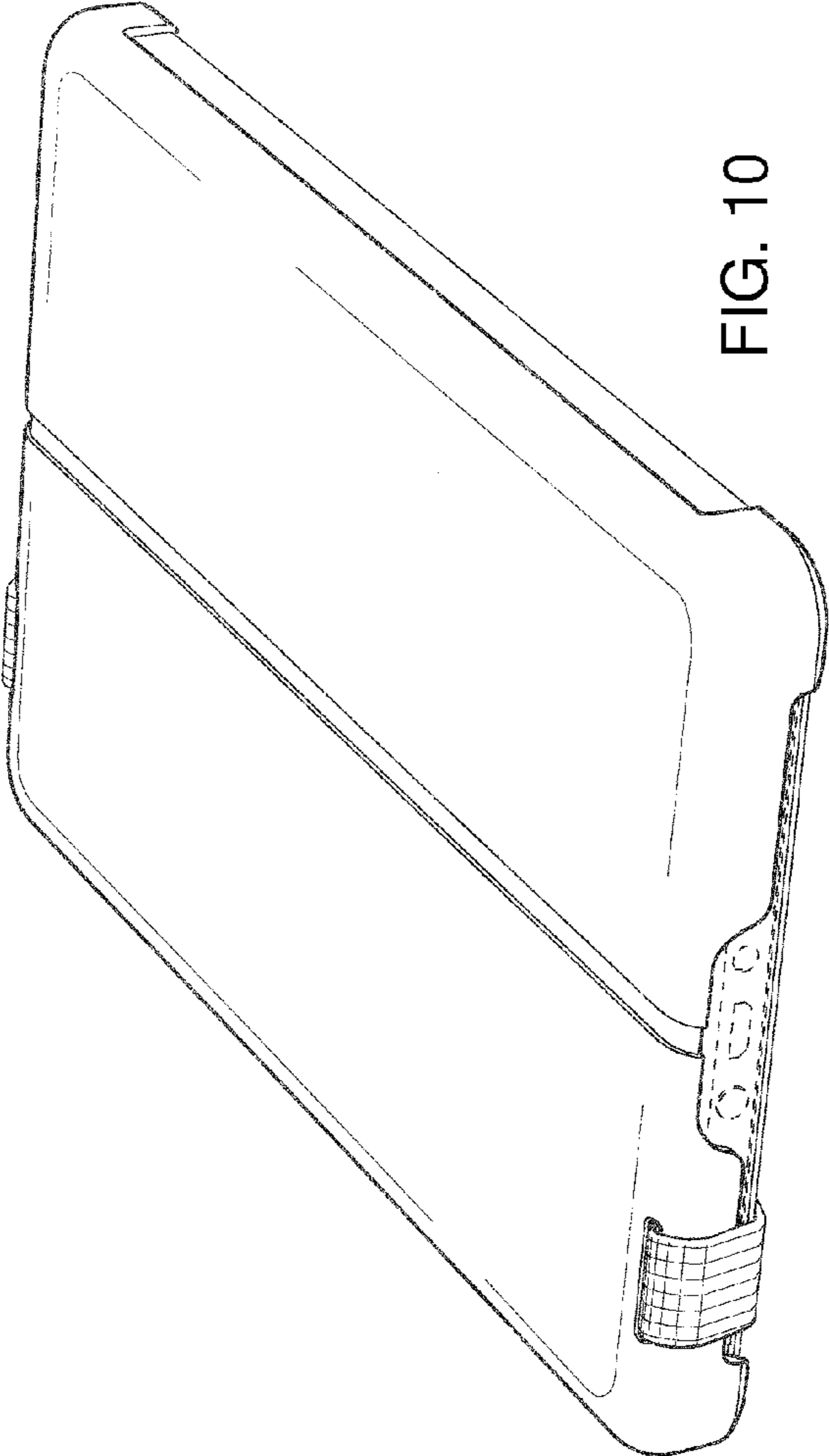


FIG. 10

FIG. 12

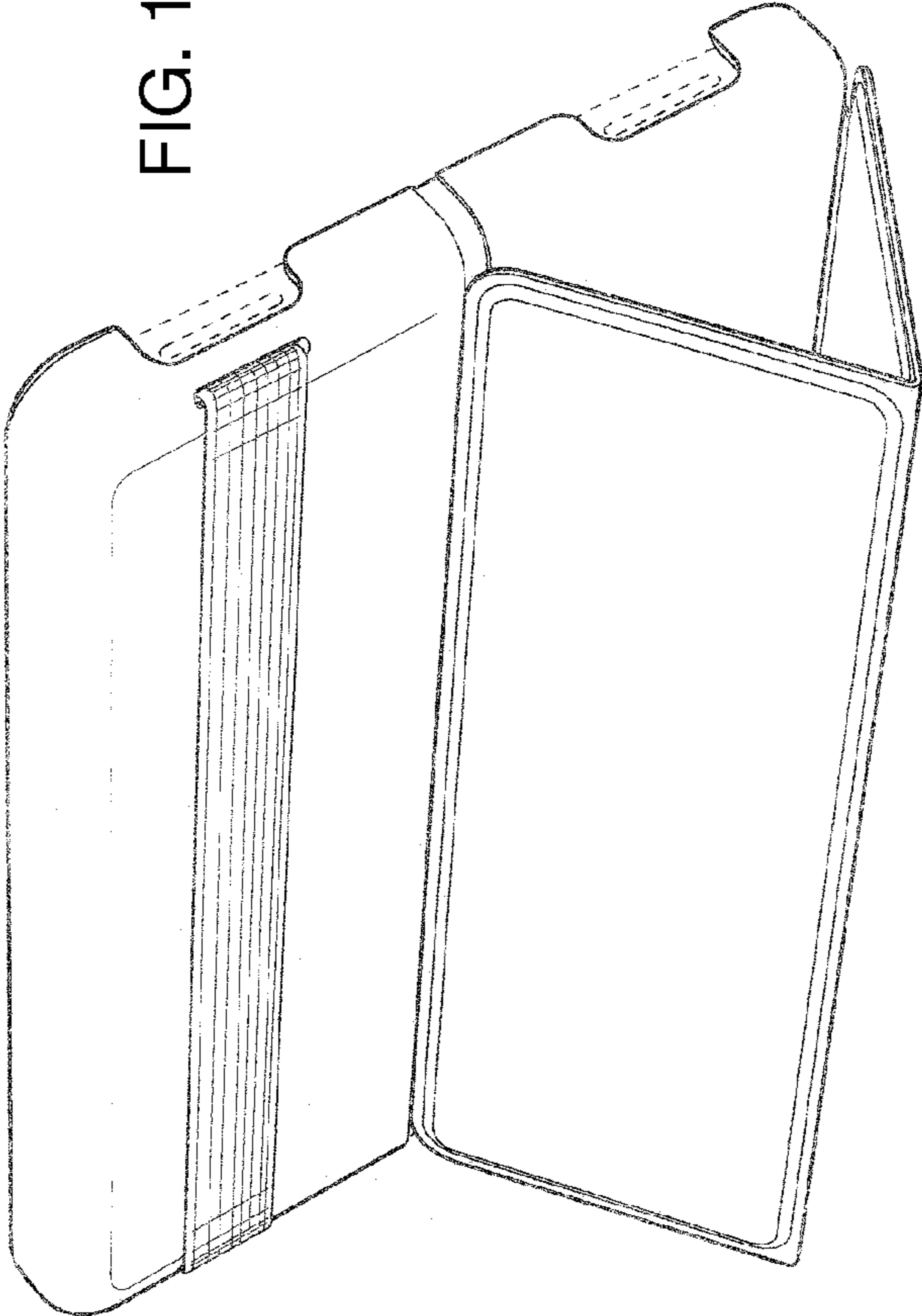


FIG. 11

