

US00D696254S

(12) **United States Design Patent**
Groene et al.

(10) **Patent No.:** **US D696,254 S**
(45) **Date of Patent:** **** Dec. 24, 2013**

(54) **ELECTRONIC TABLET WITH INPUT DEVICE**

(71) Applicant: **Microsoft Corporation**, Redmond, WA (US)

(72) Inventors: **Ralf Groene**, Kirkland, WA (US); **Hua Wang**, Sammamish, WA (US); **Anthony Reed**, Sammamish, WA (US); **Katherine Bailey**, Seattle, WA (US); **James Alec Ishihara**, Bellevue, WA (US); **Jan Raken**, Seattle, WA (US)

(73) Assignee: **Microsoft Corporation**, Redmond, WA (US)

(**) Term: **14 Years**

(21) Appl. No.: **29/448,267**

(22) Filed: **Mar. 11, 2013**

Related U.S. Application Data

(63) Continuation of application No. 29/422,121, filed on May 16, 2012, now Pat. No. Des. 678,272.

(51) **LOC (9) Cl.** **14-02**

(52) **U.S. Cl.**
USPC **D14/345**; D14/341

(58) **Field of Classification Search**
USPC D14/341-347, 336, 337, 371, 374, 138, D14/496, 320, 331, 333, 392, 455; D10/65; 345/901, 104, 133, 156, 168, 173; 348/180, 184, 325, 739, 373, 376; 385/88; 710/62; 455/575.3, 575.1; D19/60; 361/679.27; 178/18.03; 434/317

See application file for complete search history.

(56) **References Cited**

U.S. PATENT DOCUMENTS

D284,084 S *	6/1986	Ferrara, Jr.	D14/389
5,128,662 A *	7/1992	Failla	345/1.3
D333,574 S	3/1993	Ackeret	
D426,548 S	6/2000	Oross et al.	
6,439,785 B1	8/2002	Liu	
D462,354 S	9/2002	Kimbré	
D491,177 S	6/2004	Andre et al.	
D492,684 S	7/2004	Ozolins	
D493,785 S	8/2004	Andre et al.	
D500,037 S	12/2004	Ozolins et al.	
6,882,524 B2	4/2005	Ulla	
D504,889 S	5/2005	Andre et al.	

(Continued)

FOREIGN PATENT DOCUMENTS

EM 001911983 2/2011

OTHER PUBLICATIONS

Microsoft Surface, posted Nov. 16, 2012 [online], [retrieved Dec. 12, 2012]. Retrieved from Internet, <http://reviews.cnet.co.uk>.

Primary Examiner — Barbara Fox

(74) *Attorney, Agent, or Firm* — Banner & Witcoff, Ltd.

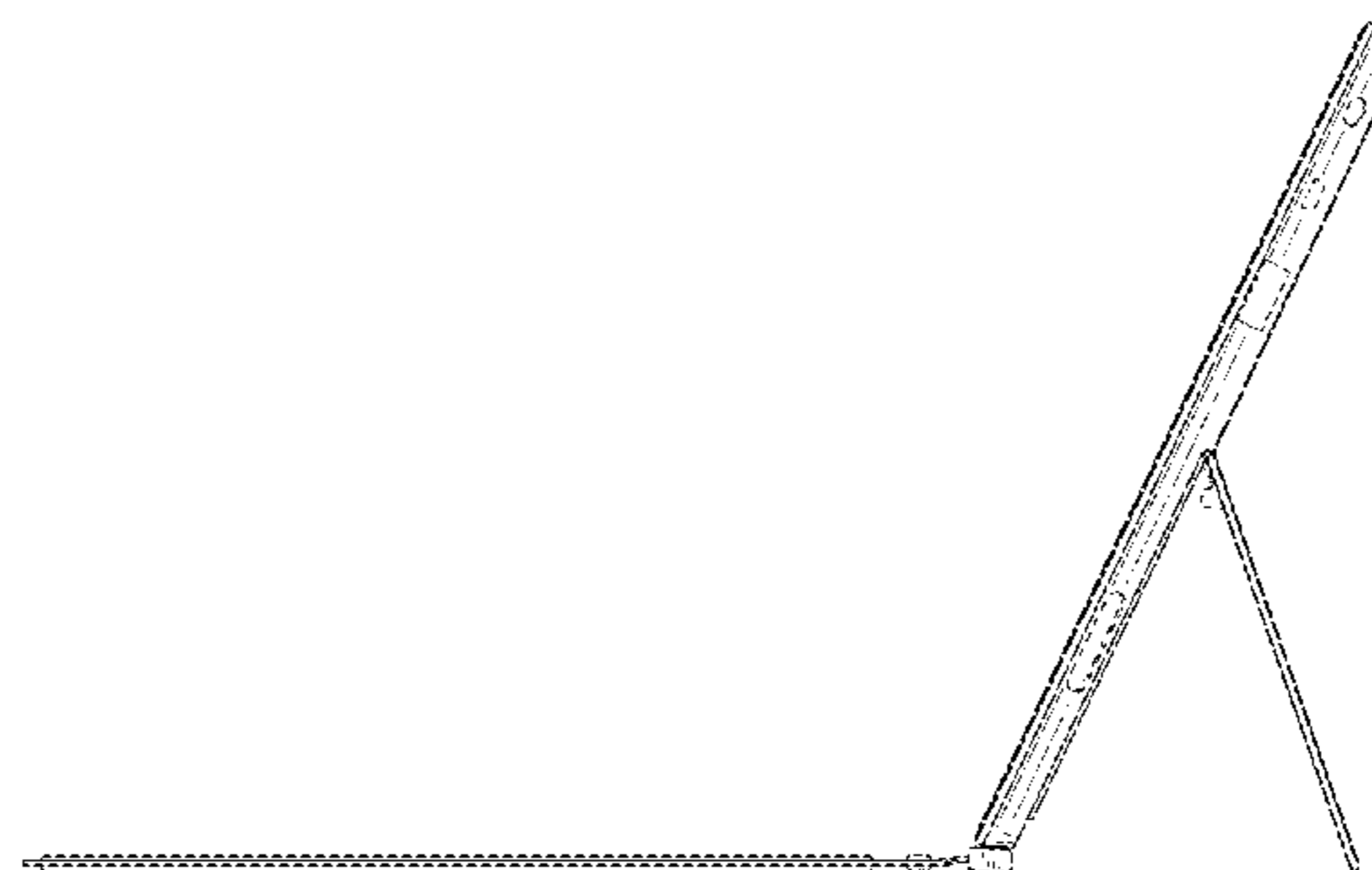
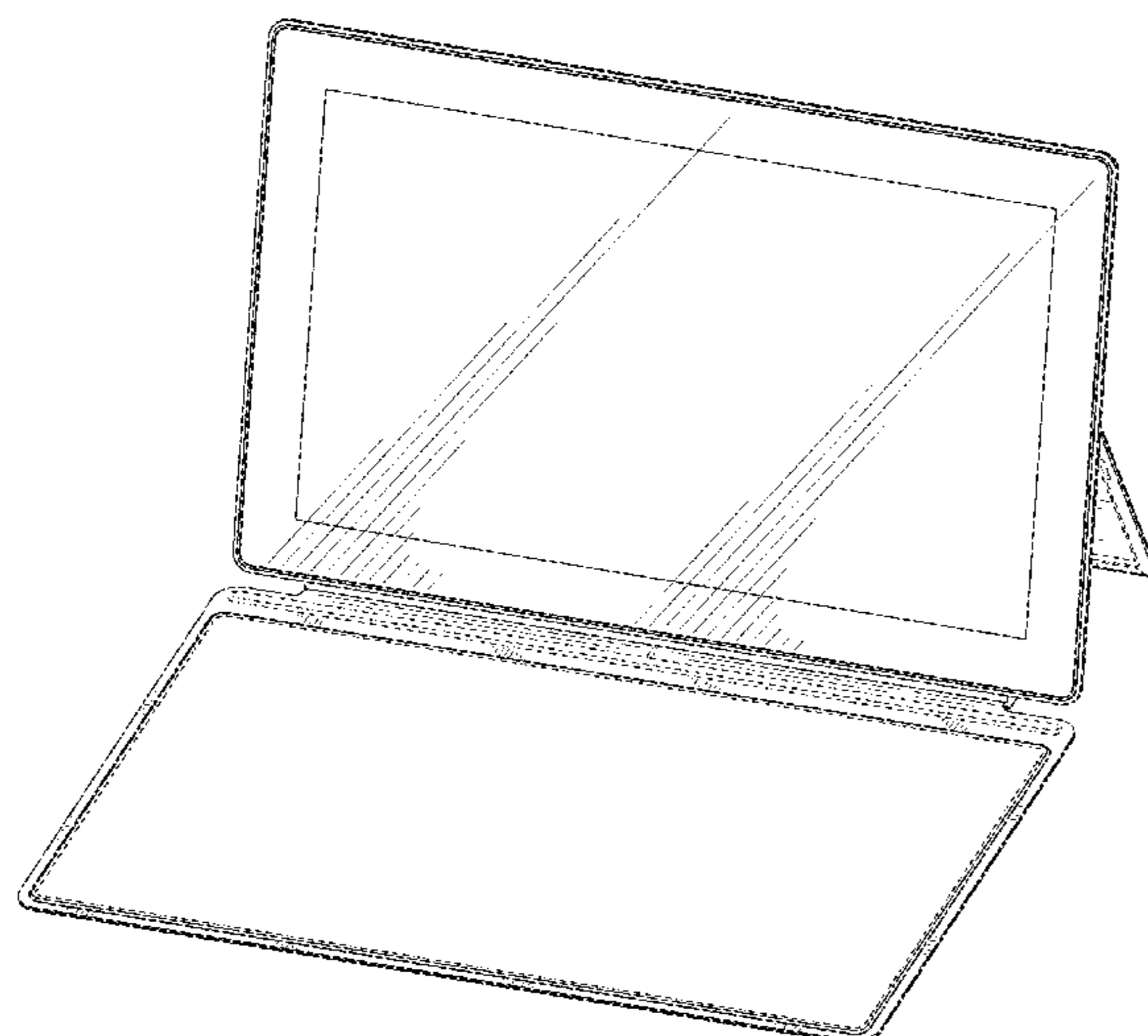
(57) **CLAIM**

The ornamental design for an electronic tablet with input device, as shown and described.

DESCRIPTION

FIG. 1 is a front isometric view of an electronic tablet with input device showing our new design; FIG. 2 is a front view thereof; FIG. 3 is a rear view thereof; FIG. 4 is a left side view thereof; FIG. 5 is a right side view thereof; and, FIG. 6 is a top view thereof. The broken line showing of various features on the electronic tablet with input device represents portions of the electronic tablet with input device which form no part of the claimed design.

1 Claim, 6 Drawing Sheets



(56)

References Cited

U.S. PATENT DOCUMENTS

6,947,031 B2	9/2005	Sandbach	
D516,080 S	2/2006	Sakamoto et al.	
D517,068 S	3/2006	Sakamoto et al.	
D517,552 S	3/2006	Sakamoto et al.	
D522,013 S	5/2006	Sakamoto et al.	
7,102,614 B2	9/2006	Sandbach	
7,154,452 B2	12/2006	Nakamura	
D543,979 S	6/2007	Lee	
D544,862 S	6/2007	Amiri	
7,299,580 B2	11/2007	Wang	
D557,259 S	12/2007	Hirsch	
D558,460 S	1/2008	Yu	
7,342,776 B1	3/2008	Chan	
D567,240 S	4/2008	Griffin	
7,440,267 B2	10/2008	Tatsukami	
D579,939 S	11/2008	Skillman et al.	
D580,433 S	11/2008	Chiang et al.	
D584,304 S *	1/2009	Lin	D14/346
D585,399 S *	1/2009	Hwang	D14/130
D599,792 S	9/2009	Lin	
D601,353 S	10/2009	Sadler et al.	
D603,398 S	11/2009	Watson	
D604,730 S	11/2009	Shih et al.	
D609,705 S	2/2010	Andre et al.	
D613,286 S	4/2010	Lee	
D615,527 S	5/2010	Hwang	
D616,448 S	5/2010	Skillman et al.	
D616,881 S	6/2010	Andre et al.	
D617,793 S	6/2010	Chiang et al.	
D622,240 S	8/2010	Liu et al.	
D622,514 S	8/2010	Park et al.	
D627,343 S	11/2010	Andre et al.	
D627,777 S	11/2010	Akana et al.	
D627,779 S	11/2010	Liao	
D629,216 S	12/2010	Stoddard	
D629,800 S	12/2010	Seong	
D630,207 S	1/2011	Seong	
D631,469 S	1/2011	Demskie	
D631,474 S	1/2011	Green	
D632,687 S	2/2011	Seong	
D632,688 S	2/2011	Seong	
D633,090 S	2/2011	Andre et al.	
D633,091 S	2/2011	Andre et al.	
D636,768 S	4/2011	Chan	
D636,770 S	4/2011	Li	
D637,596 S *	5/2011	Akana et al.	D14/341
D637,597 S	5/2011	Seong	
D638,419 S	5/2011	Ishiharada	
D638,833 S	5/2011	Chuang	
D638,836 S	5/2011	Daniel	
D639,266 S	6/2011	DeLorenzo et al.	
D639,295 S	6/2011	Andre et al.	
D641,016 S	7/2011	Takahashi	
D641,017 S	7/2011	Meng	
D641,018 S	7/2011	Lee et al.	
D642,563 S	8/2011	Akana et al.	
D645,465 S	9/2011	Lin	
D646,902 S	10/2011	Woo et al.	
D649,190 S	11/2011	Goodall	
D650,380 S	12/2011	Ballout	
D652,418 S	1/2012	Rashid et al.	
D653,665 S	2/2012	Maruyama	
D654,074 S	2/2012	Wood et al.	
D654,497 S	2/2012	Lee	
D655,704 S	3/2012	Akana et al.	
D656,136 S	3/2012	Lee	
D656,137 S	3/2012	Chung	
D658,186 S	4/2012	Akana et al.	
D658,187 S	4/2012	Diebel	
D658,188 S	4/2012	Diebel	
D659,139 S	5/2012	Gengler	
D663,281 S	7/2012	Hwang	
D663,304 S	7/2012	Akana	
D664,954 S	8/2012	Kim	
D665,370 S	8/2012	Chung	
D667,397 S	9/2012	Koh	
D667,398 S	9/2012	Koh	
D667,399 S	9/2012	Koh	
D668,650 S	10/2012	Han	
D668,651 S	10/2012	Kim et al.	
D669,069 S	10/2012	Akana et al.	
D669,467 S	10/2012	Ballout	
D669,468 S	10/2012	Akana et al.	
D670,286 S	11/2012	Akana et al.	
D670,692 S	11/2012	Akana et al.	
D671,514 S	11/2012	Kim et al.	
D671,541 S	11/2012	Gengler	
D671,938 S *	12/2012	Hsu et al.	D14/341
D671,940 S	12/2012	Kim	
D675,203 S *	1/2013	Yang	D14/341
D677,660 S *	3/2013	Groene et al.	D14/341
D678,271 S *	3/2013	Chiu	D14/341
D678,272 S *	3/2013	Groene et al.	D14/345
D678,877 S *	3/2013	Groene et al.	D14/341
D678,885 S *	3/2013	Gengler	D14/447
8,400,767 B2 *	3/2013	Yeom et al.	361/679.59
D685,778 S *	7/2013	Fahrendorff et al.	D14/250
2005/0052831 A1	3/2005	Chen	
2006/0237599 A1	10/2006	Ternus et al.	
2007/0097087 A1	5/2007	Homer	
2009/0201254 A1	8/2009	Rais	
2012/0140396 A1	6/2012	Zeliff	
2012/0194448 A1	8/2012	Rothkopf	

* cited by examiner

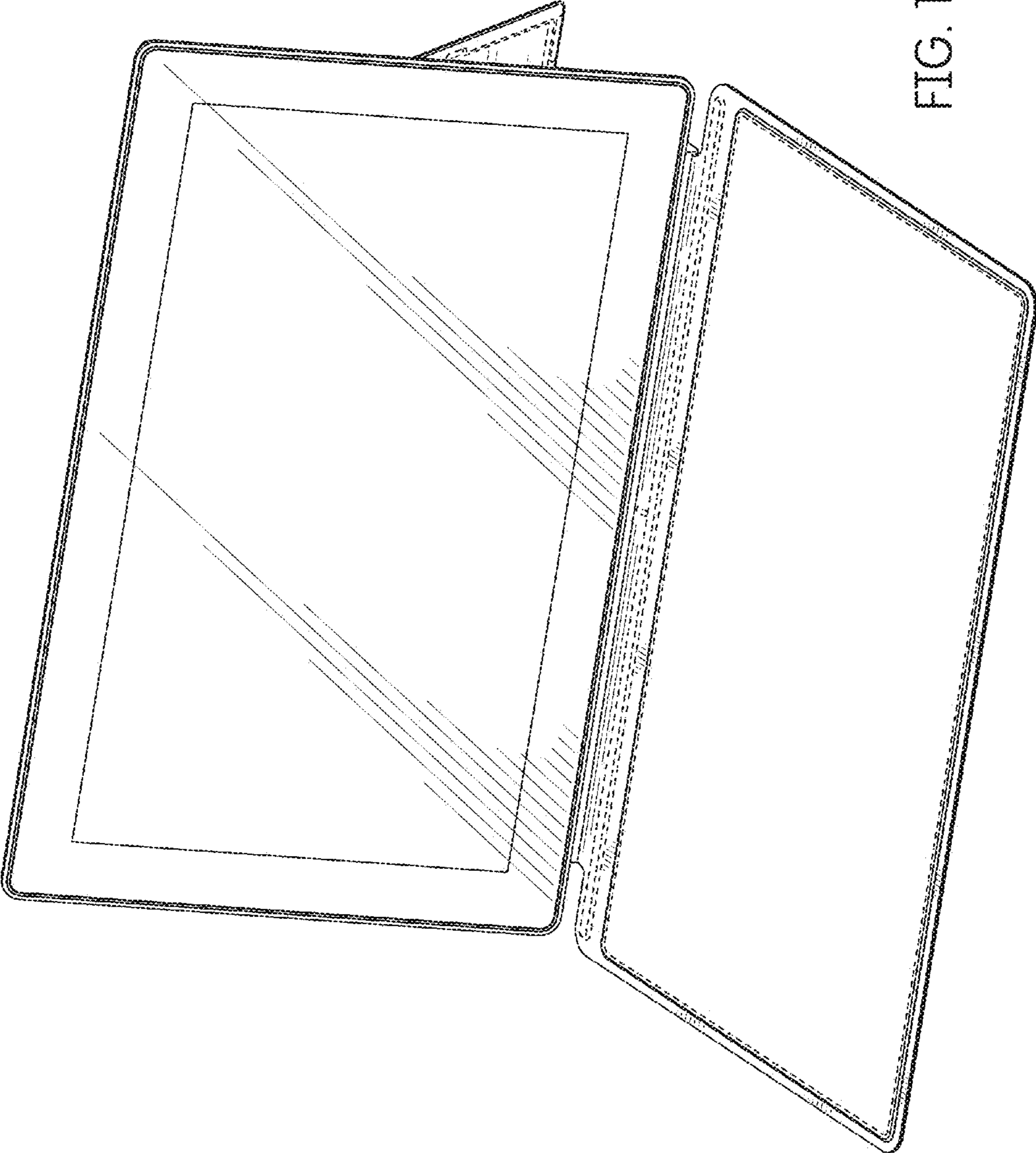


FIG. 1

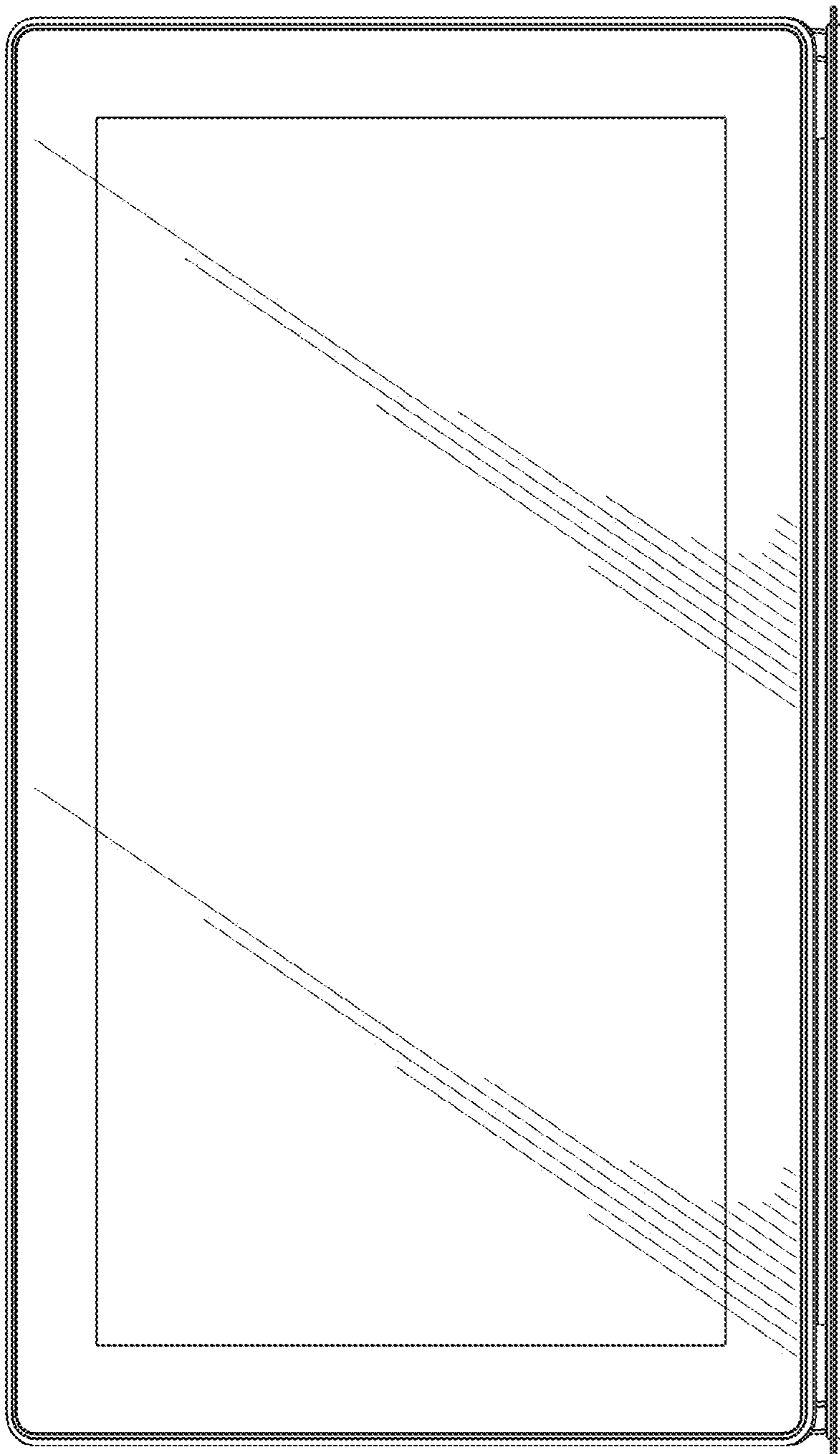


FIG. 2

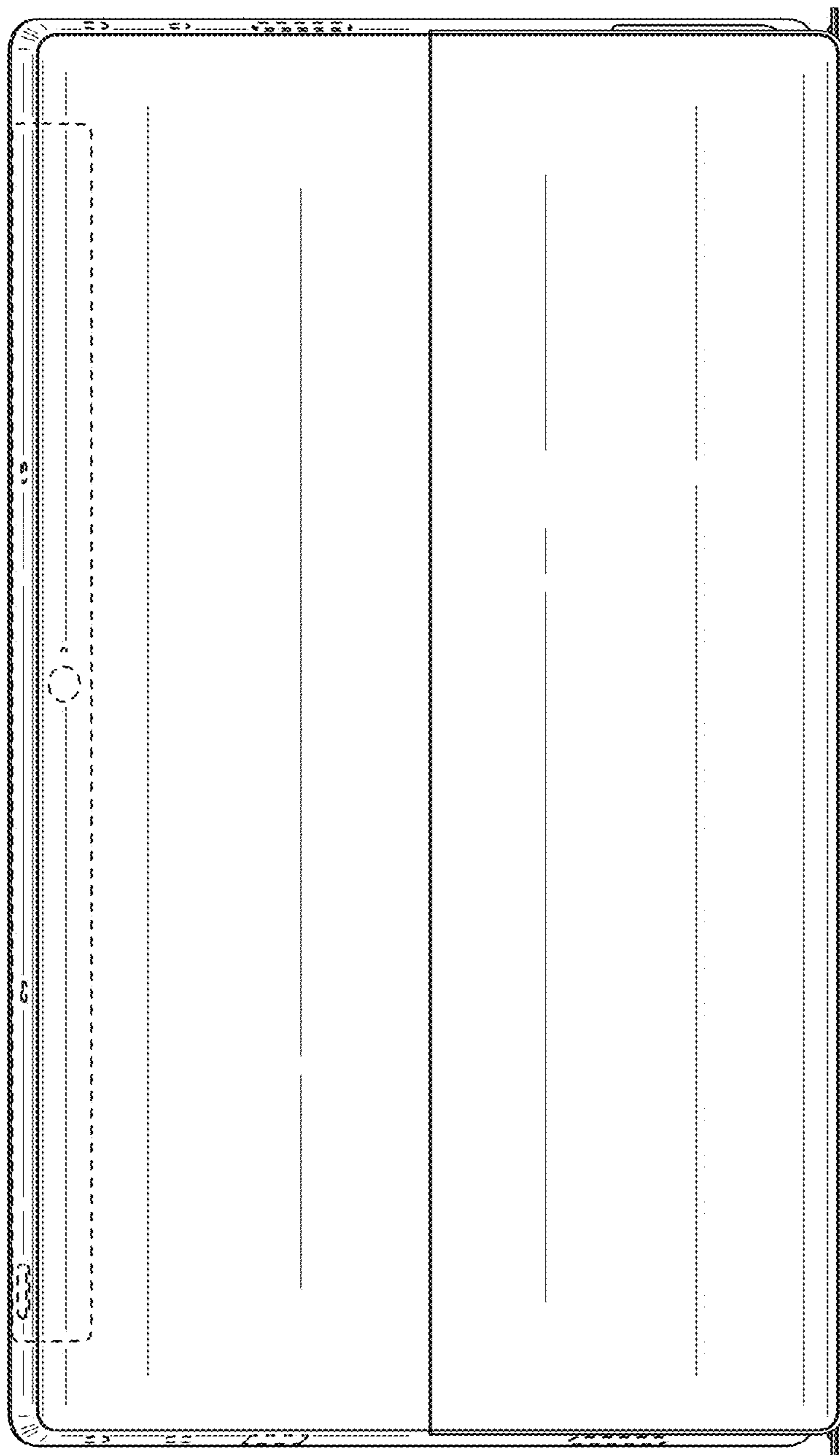


FIG. 3

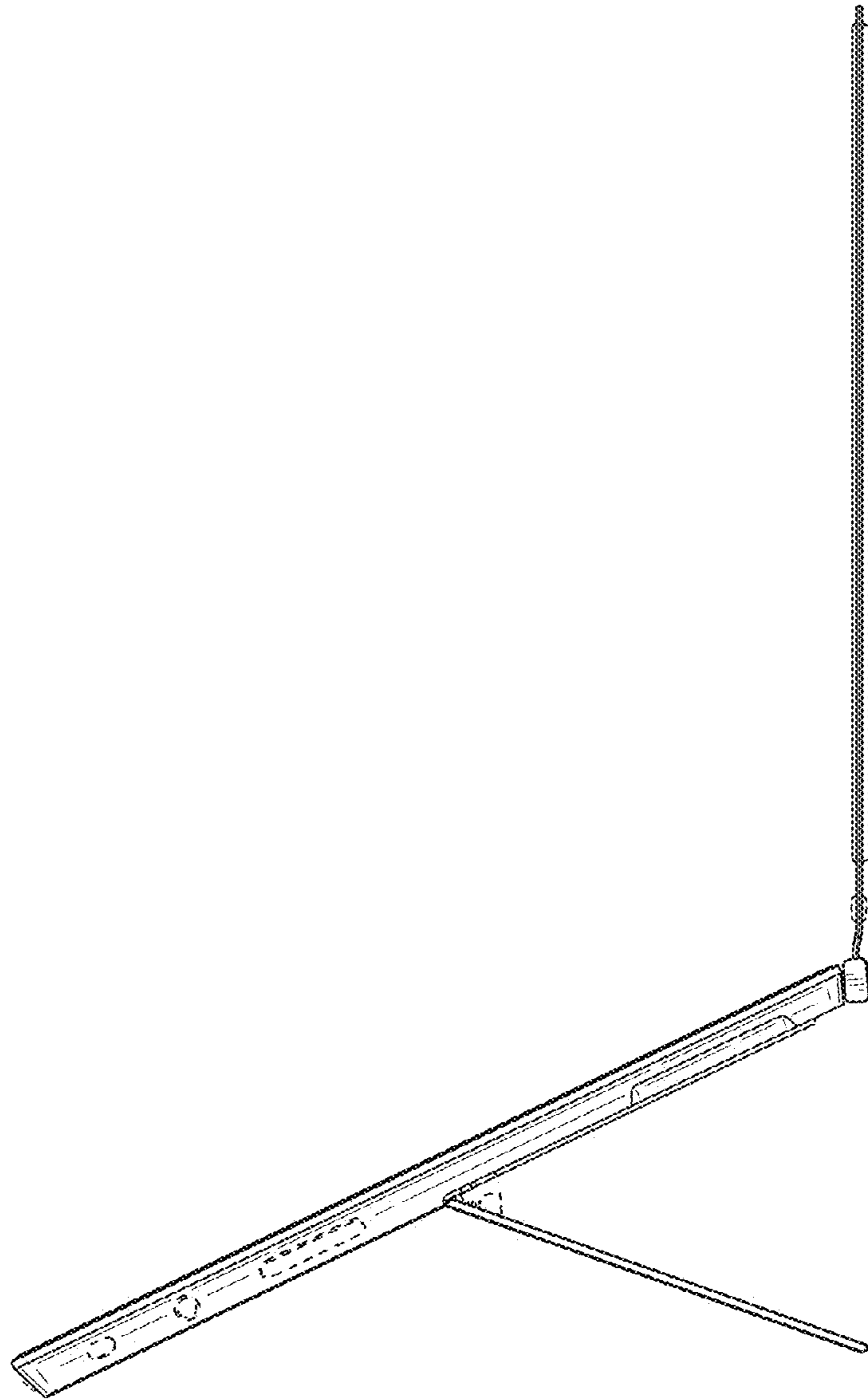


FIG. 4

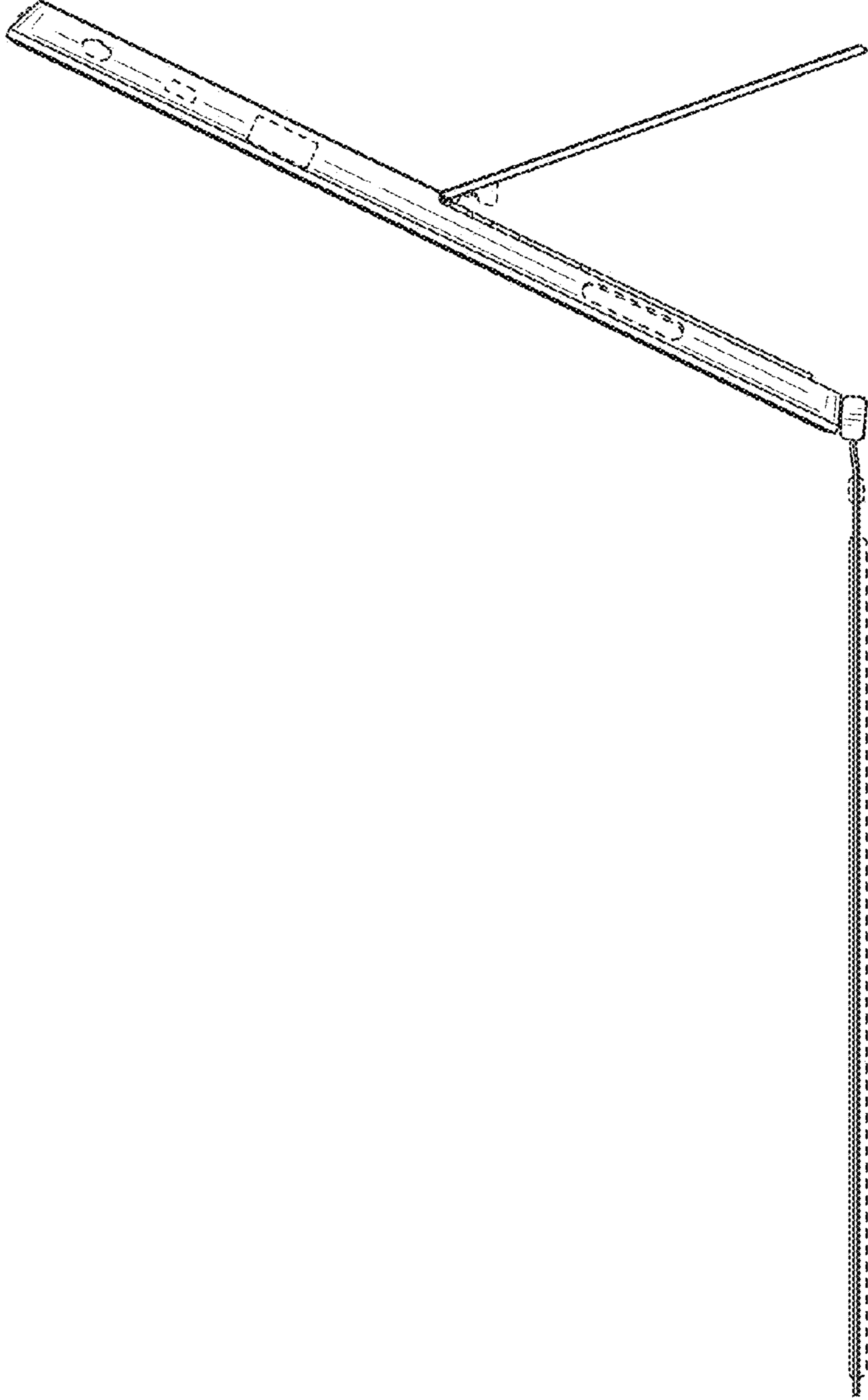


FIG. 5

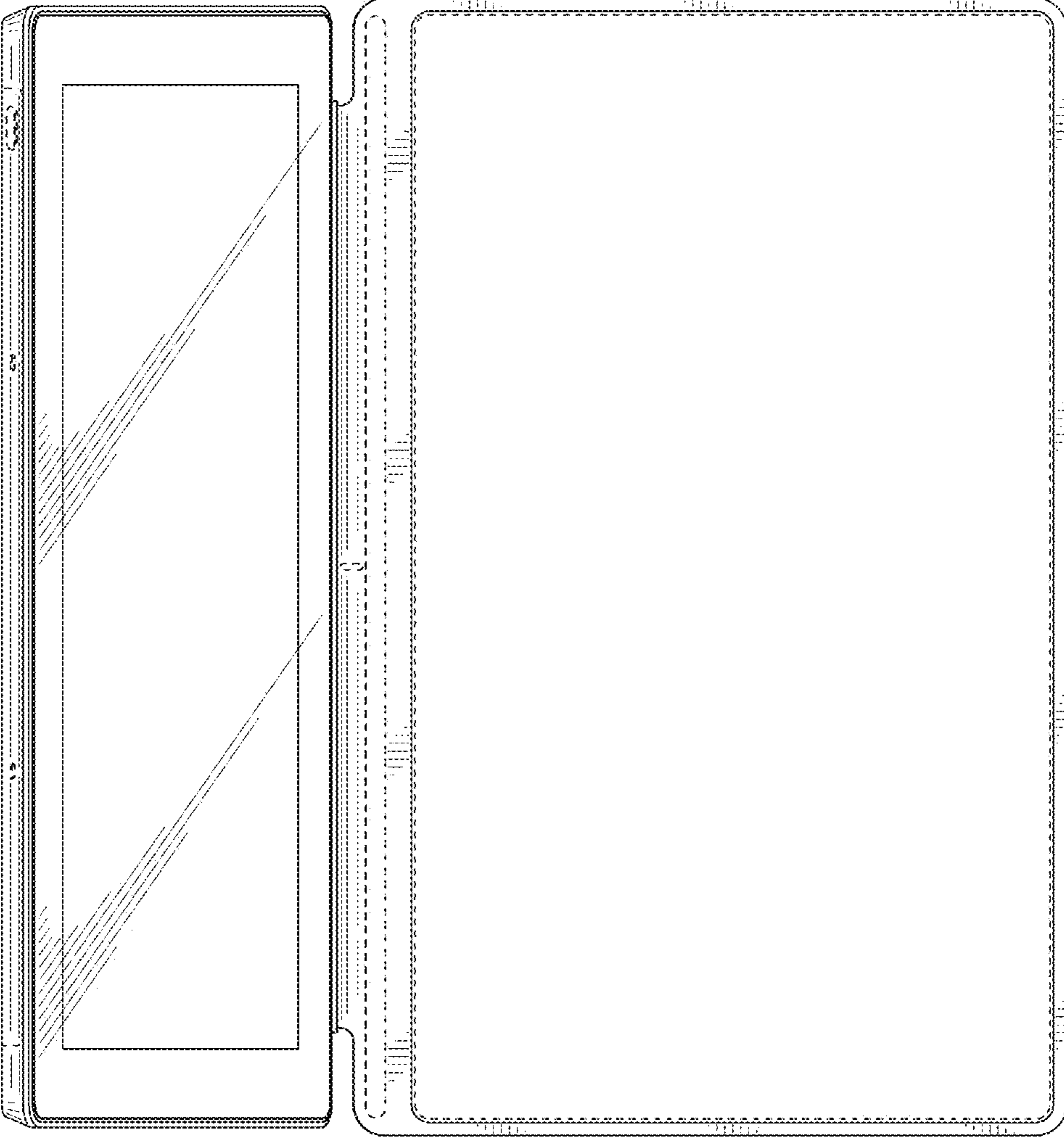


FIG. 6