



US00D696247S

(12) **United States Design Patent**
Kim

(10) **Patent No.:** **US D696,247 S**
(45) **Date of Patent:** **** Dec. 24, 2013**

(54) **SLATE COMPUTER**

FOREIGN PATENT DOCUMENTS

(75) Inventor: **Ik-Sang Kim**, Seoul (KR)

KR 3005985190000 5/2011
KR 3005994750000 5/2011

(73) Assignee: **Samsung Electronics Co., Ltd.**,
Suwon-Si (KR)

(Continued)

(**) Term: **14 Years**

OTHER PUBLICATIONS

(21) Appl. No.: **29/419,907**

U.S. Appl. No. 29/390,462, Applicant Kim et al, filed Apr. 25, 2011,
entitled Tablet Computer.

(22) Filed: **May 2, 2012**

(Continued)

(30) **Foreign Application Priority Data**

Primary Examiner — Barbara Fox

Nov. 15, 2011 (KR) 30-2011-0048018

(74) *Attorney, Agent, or Firm* — Wood, Herron & Evans,
LLP

(51) **LOC (9) Cl.** **14-02**

(57) **CLAIM**

(52) **U.S. Cl.**
USPC **D14/341**

The ornamental design for a slate computer, as shown and
described.

(58) **Field of Classification Search**

DESCRIPTION

USPC D14/341–347, 137, 138 AA, 138 R,
D14/138 C, 138 G, 496, 203.1, 203.3, 203.7,
D14/426, 129, 130, 420, 147, 218, 247–248,
D14/389, 388, 315–318; D10/65, 104.1;
D18/6–7; D21/324, 329, 330;
455/556.1, 556.2, 566, 575.1, 90.3;
379/433.04, 433.01, 433.06, 916;
345/173, 901, 905; 361/679.26,
361/679.27, 679.3, 679.55, 679.56,
361/680–686; 248/917–924; 348/373, 376

FIG. 1 is a top front perspective view of a slate computer
showing my new design;
FIG. 2 is a front elevational view thereof;
FIG. 3 is a rear elevational view thereof;
FIG. 4 is a left side elevational view thereof;
FIG. 5 is a right side elevational view thereof;
FIG. 6 is a top plan view thereof;
FIG. 7 is a bottom plan view thereof;
FIG. 8 is a using state view thereof when the slate computer is
in a combination with a separate keyboard;
FIG. 9 is a using state view thereof when the slate computer is
in a combination with a separate keyboard;
FIG. 10 is a using state view thereof when the slate computer
is in a combination with a separate keyboard; and,
FIG. 11 is a using state view thereof when the slate computer
is in a combination with a separate keyboard.
The broken line showing of a keyboard in FIGS. 8-11 repre-
sents environmental structure which forms no part of the
claimed design.

See application file for complete search history.

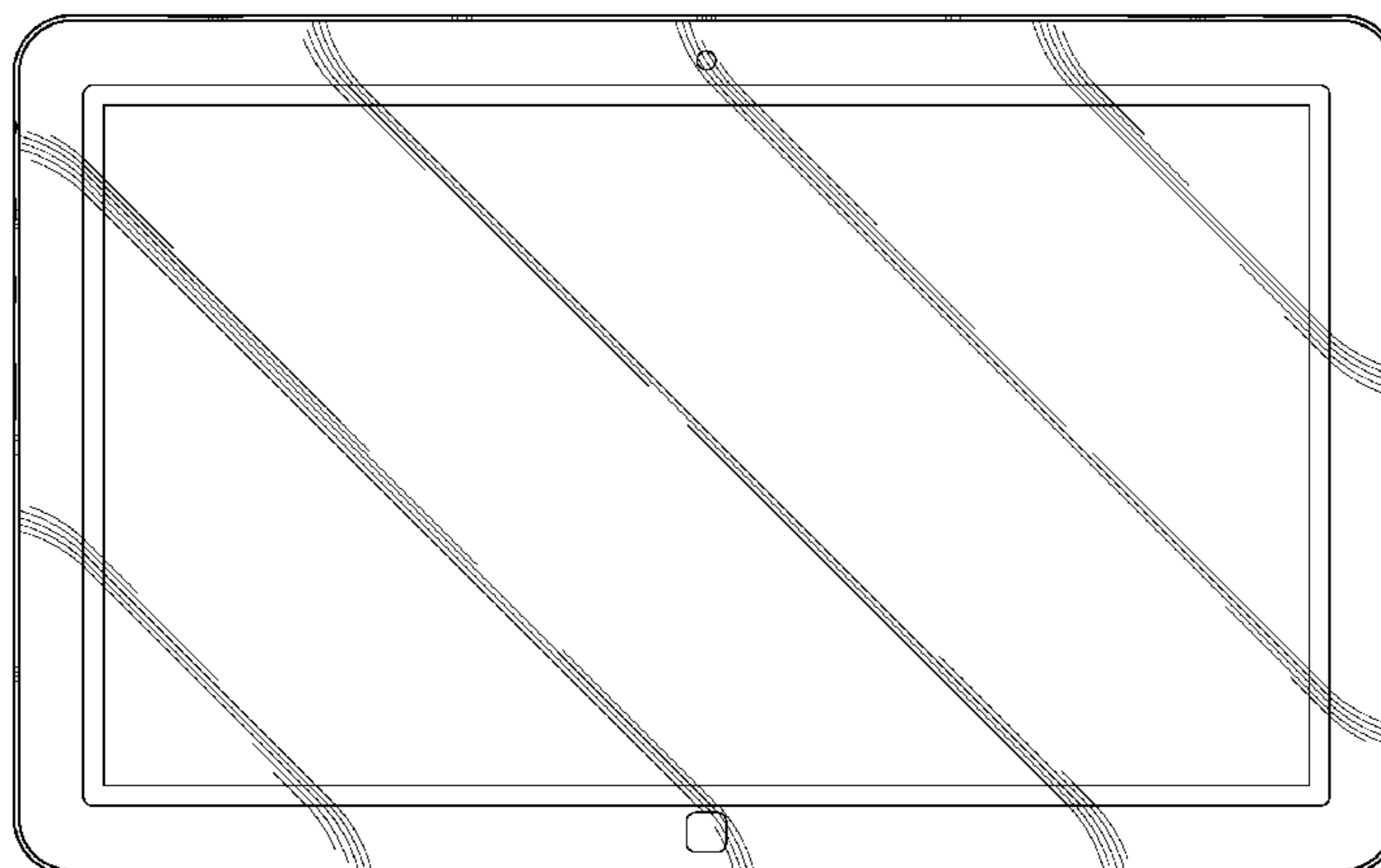
(56) **References Cited**

U.S. PATENT DOCUMENTS

D284,084 S 6/1986 Ferrara, Jr.
D306,583 S 3/1990 Krolopp et al.
D333,574 S 3/1993 Ackeret
D337,569 S * 7/1993 Kando D14/341
D500,991 S 1/2005 Niitsu

(Continued)

1 Claim, 7 Drawing Sheets



(56)

References Cited

U.S. PATENT DOCUMENTS

D504,889 S * 5/2005 Andre et al. D14/341
D532,791 S 11/2006 Kim
D558,756 S * 1/2008 Andre et al. D14/341
D563,804 S 3/2008 Kimura et al.
D579,930 S 11/2008 Maskatia
D584,738 S * 1/2009 Kim et al. D14/496
D590,374 S 4/2009 Madonna et al.
D592,214 S 5/2009 Bradford
D602,014 S * 10/2009 Andre et al. D14/341
D602,015 S * 10/2009 Andre et al. D14/341
D602,017 S * 10/2009 Andre et al. D14/341
D602,486 S * 10/2009 Andre et al. D14/341
D602,487 S * 10/2009 Maskatia D14/341
D605,626 S 12/2009 Park
D610,582 S 2/2010 Sugitani et al.
D611,364 S 3/2010 Lenz et al.
D613,510 S 4/2010 Tzeng et al.
D613,951 S 4/2010 Tang et al.
D615,083 S * 5/2010 Andre et al. D14/341
D617,793 S 6/2010 Chiang et al.
D622,270 S 8/2010 Andre et al.
D624,896 S * 10/2010 Park et al. D14/138 G
D626,437 S * 11/2010 Lee et al. D10/65
D627,667 S 11/2010 Lenz et al.
D628,913 S 12/2010 Cheng
D629,799 S 12/2010 Andre et al.
D636,769 S * 4/2011 Wood et al. D14/341
D637,596 S * 5/2011 Akana et al. D14/341
D639,805 S * 6/2011 Song et al. D14/341
D640,255 S 6/2011 Lee et al.
D640,663 S * 6/2011 Arnholt et al. D14/138 G
D641,018 S * 7/2011 Lee et al. D14/341
D642,563 S * 8/2011 Akana et al. D14/341
D645,015 S * 9/2011 Lee et al. D14/138 G
D645,435 S * 9/2011 Kim et al. D14/138 G
D645,833 S * 9/2011 Seflic et al. D14/138 G
D650,381 S * 12/2011 Park et al. D14/341
D654,460 S * 2/2012 Kim et al. D14/138 G
D654,497 S * 2/2012 Lee D14/341
D663,298 S * 7/2012 Song et al. D14/341
D664,540 S * 7/2012 Kim et al. D14/341
D664,954 S * 8/2012 Kim et al. D14/341
D666,198 S * 8/2012 Van Den Nieuwenhuizen
et al. D14/341
D667,395 S * 9/2012 Lee D14/341
D667,396 S * 9/2012 Koh D14/341
D667,397 S * 9/2012 Koh D14/341
D667,398 S * 9/2012 Koh D14/341
D667,399 S * 9/2012 Koh D14/341
D668,650 S * 10/2012 Han D14/341
D668,651 S * 10/2012 Kim et al. D14/341
D668,652 S * 10/2012 Kim et al. D14/341
D669,469 S * 10/2012 Kang D14/341
D670,692 S * 11/2012 Akana et al. D14/341
D671,514 S * 11/2012 Kim et al. D14/138 G
D672,344 S * 12/2012 Li D14/341
D672,345 S * 12/2012 Li D14/341
D672,739 S * 12/2012 Sin D14/138 G
D672,768 S * 12/2012 Huang et al. D14/341
D673,561 S * 1/2013 Hyun et al. D14/341
D673,948 S * 1/2013 Andre et al. D14/341
D673,950 S * 1/2013 Li et al. D14/341
D674,369 S * 1/2013 JaeWoong D14/138 G
D675,203 S * 1/2013 Yang D14/341
D675,588 S * 2/2013 Park D14/138 G
D675,612 S * 2/2013 Andre et al. D14/341
D676,443 S * 2/2013 Canizares et al. D14/341
D676,819 S * 2/2013 Choi D14/138 G

D677,255 S * 3/2013 McManigal et al. D14/341
D677,640 S * 3/2013 Kim et al. D14/138 G
D677,659 S * 3/2013 Akana et al. D14/341
D677,660 S * 3/2013 Groene et al. D14/341
D678,271 S * 3/2013 Chiu D14/341
D679,706 S * 4/2013 Tang et al. D14/341
D680,524 S * 4/2013 Feng et al. D14/341
D681,032 S * 4/2013 Akana et al. D14/341
D681,583 S * 5/2013 Park D14/138 G
D681,591 S * 5/2013 Sung D14/138 G
D681,632 S * 5/2013 Akana et al. D14/341
D682,239 S * 5/2013 Yeh et al. D14/138 G
D684,553 S * 6/2013 Kim et al. D14/138 G
D684,968 S * 6/2013 Smith et al. D14/341
D685,783 S * 7/2013 Bryan et al. D14/341
2009/0231292 A1 9/2009 Hsieh et al.

FOREIGN PATENT DOCUMENTS

KR 3006004150000 6/2011
KR 3006004300000 6/2011
KR 3006046440000 7/2011

OTHER PUBLICATIONS

U.S. Appl. No. 29/390,463, Applicant: Kim, et al., filed Apr. 25, 2011
entitled Tablet Computer.
U.S. Appl. No. 29/390,464, Applicant: Kim, et al., filed Apr. 25, 2011
entitled Tablet Computer.
U.S. Appl. No. 29/405,537, Applicant Ik-Sang Kim, filed Nov. 3,
2011, entitled Tablet Computer.
U.S. Appl. No. 29/407,975, Applicant Chun et al, filed Dec. 6, 2011,
entitled Tablet Computer.
U.S. Appl. No. 29/407,981, Applicant Chun et al, filed Dec. 6, 2011,
entitled Cradle for Tablet Computer.
U.S. Appl. No. 29/407,982, Applicant Lee et al, filed Dec. 6, 2011,
entitled Tablet Computer.
U.S. Appl. No. 29/407,984, Applicant Jeon et al., filed Dec. 6, 2011,
entitled Tablet Computer.
U.S. Appl. No. 29/407,989, Applicant Lee et al, filed Dec. 6, 2011,
entitled Cradle for Tablet Computer.
U.S. Appl. No. 29/407,996, Applicant Jeon et al, filed Sep. 21, 2011,
entitled Charger for Tablet Computer.
U.S. Appl. No. 29/408,009, Applicant Song et al, filed Dec. 6, 2011,
entitled Tablet Computer.
U.S. Appl. No. 29/408,017, Applicant Song et al, filed Dec. 6, 2011,
entitled Tablet Computer.
U.S. Appl. No. 29/416,029, Applicant Kim et al., filed Dec. 6, 2011,
entitled Tablet Computer.
U.S. Appl. No. 29/416,032, Applicant Kim et al., filed Mar. 16, 2012,
entitled Tablet Computer.
U.S. Appl. No. 29/418,670, Applicant Song et al., filed Apr. 19, 2012,
entitled Tablet Computer.
U.S. Appl. No. 29/419,893, Applicant Ik-Sang Kim, filed May 2,
2012, entitled Slate Computer.
U.S. Appl. No. 29/425,227, Applicant Kim et al., filed Jun. 20, 2012,
entitled Tablet Computer.
U.S. Appl. No. 29/419,911, Applicant Kim et al., filed May 2, 2012,
entitled Tablet Computer.
U.S. Appl. No. 29/420,669, Applicant Lim et al., filed May 11, 2012,
entitled Tablet Computer.
U.S. Appl. No. 29/422,467, Applicant Song et al., filed May 21, 2012,
entitled Tablet Computer.
U.S. Appl. No. 29/425,977, Applicant Ji-Sang Park, filed Jun. 28,
2012, entitled Tablet Computer.
U.S. Appl. No. 29/425,978, Applicant Lim et al., filed Jun. 28, 2012,
entitled Tablet Computer.

* cited by examiner

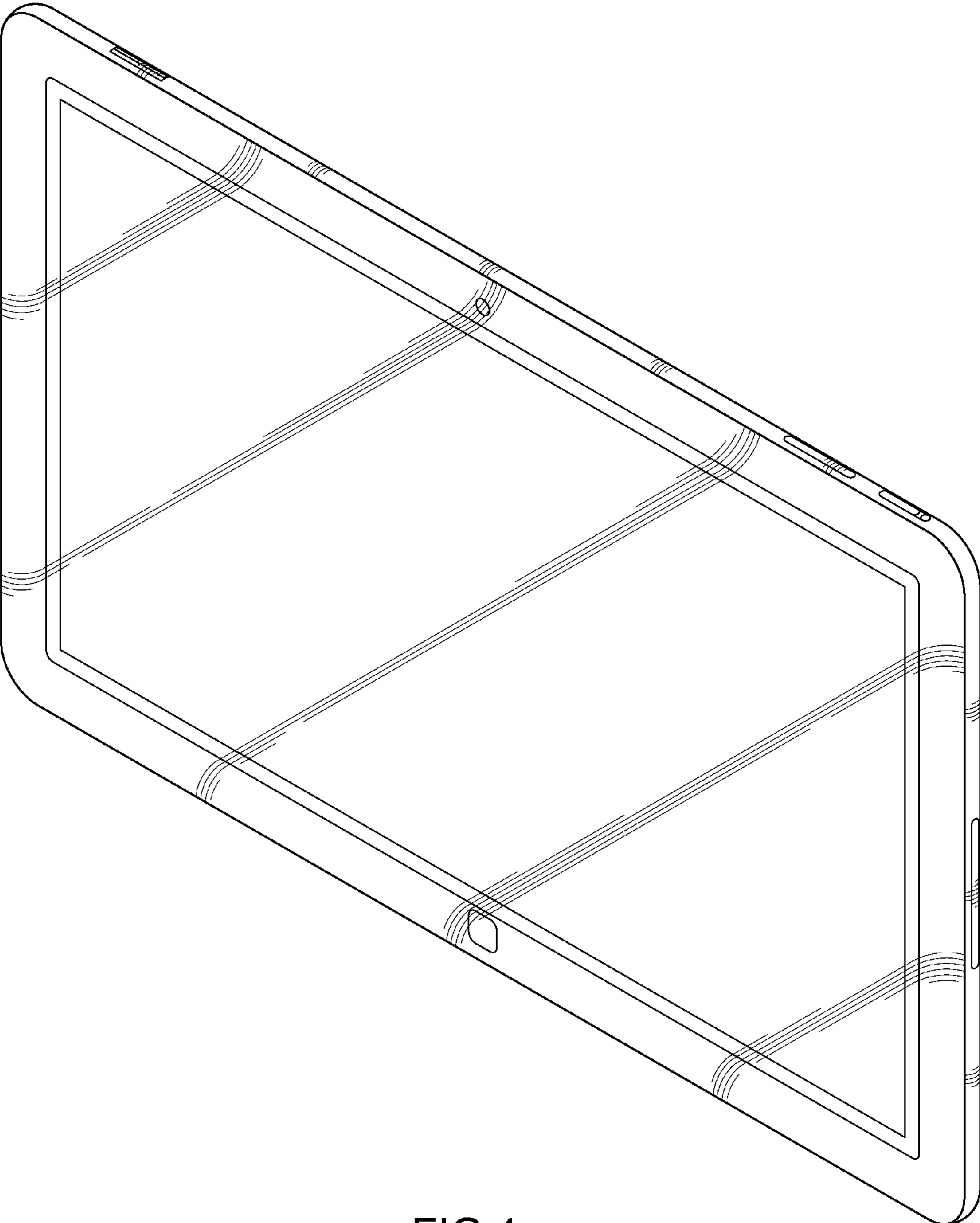


FIG.1

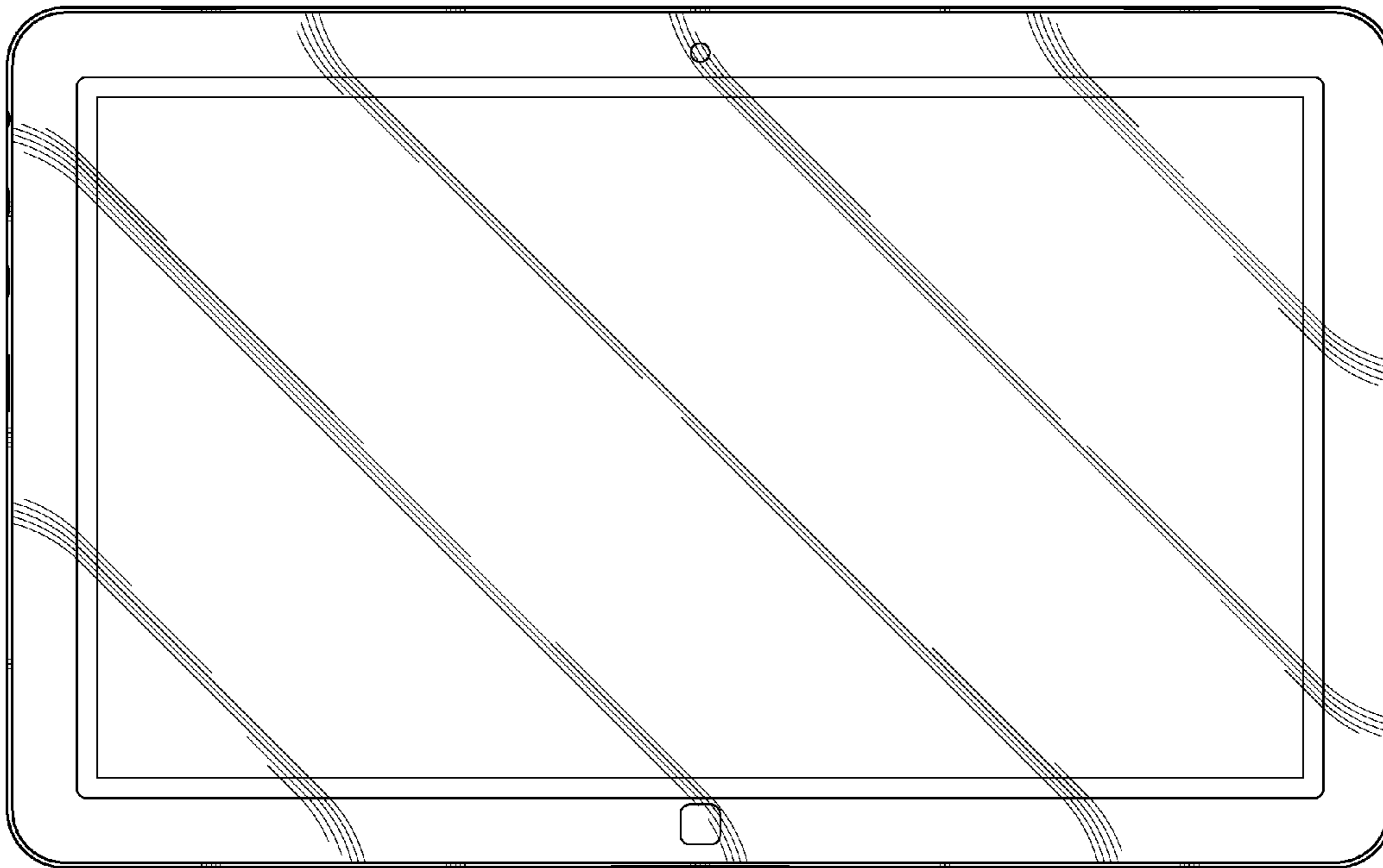


FIG.2

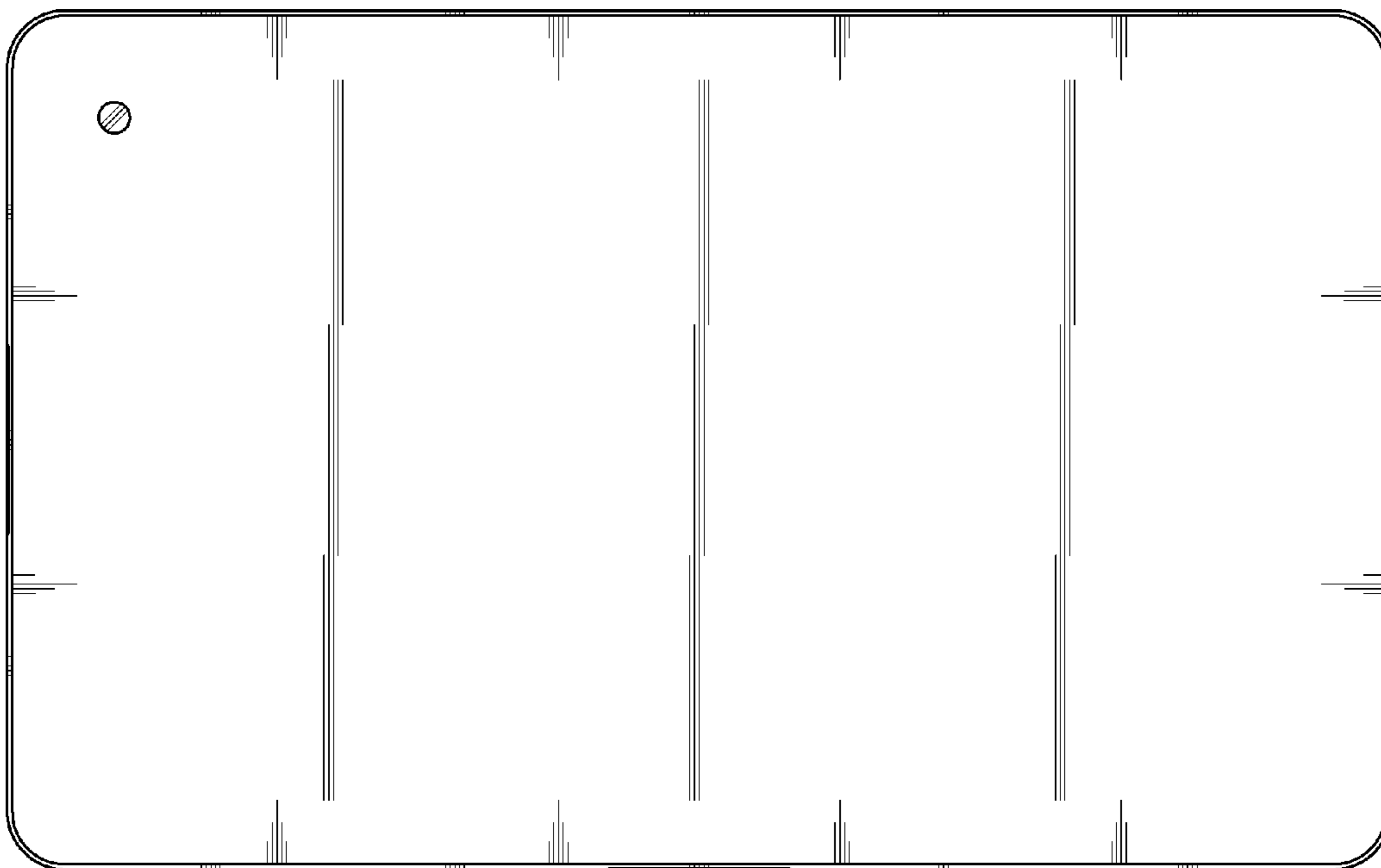


FIG.3

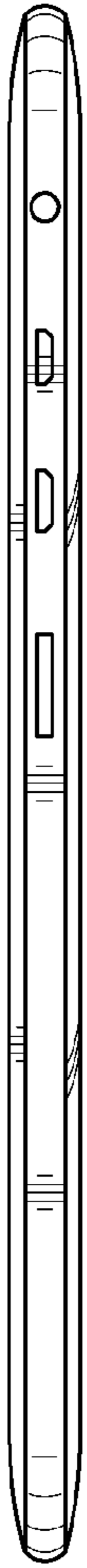


FIG.4

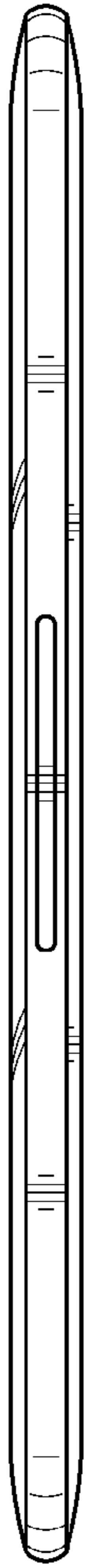


FIG.5

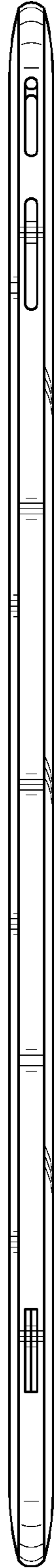


FIG.6

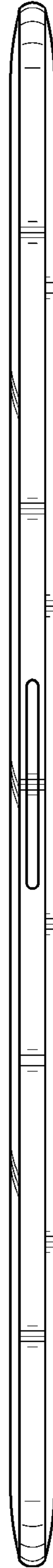


FIG.7

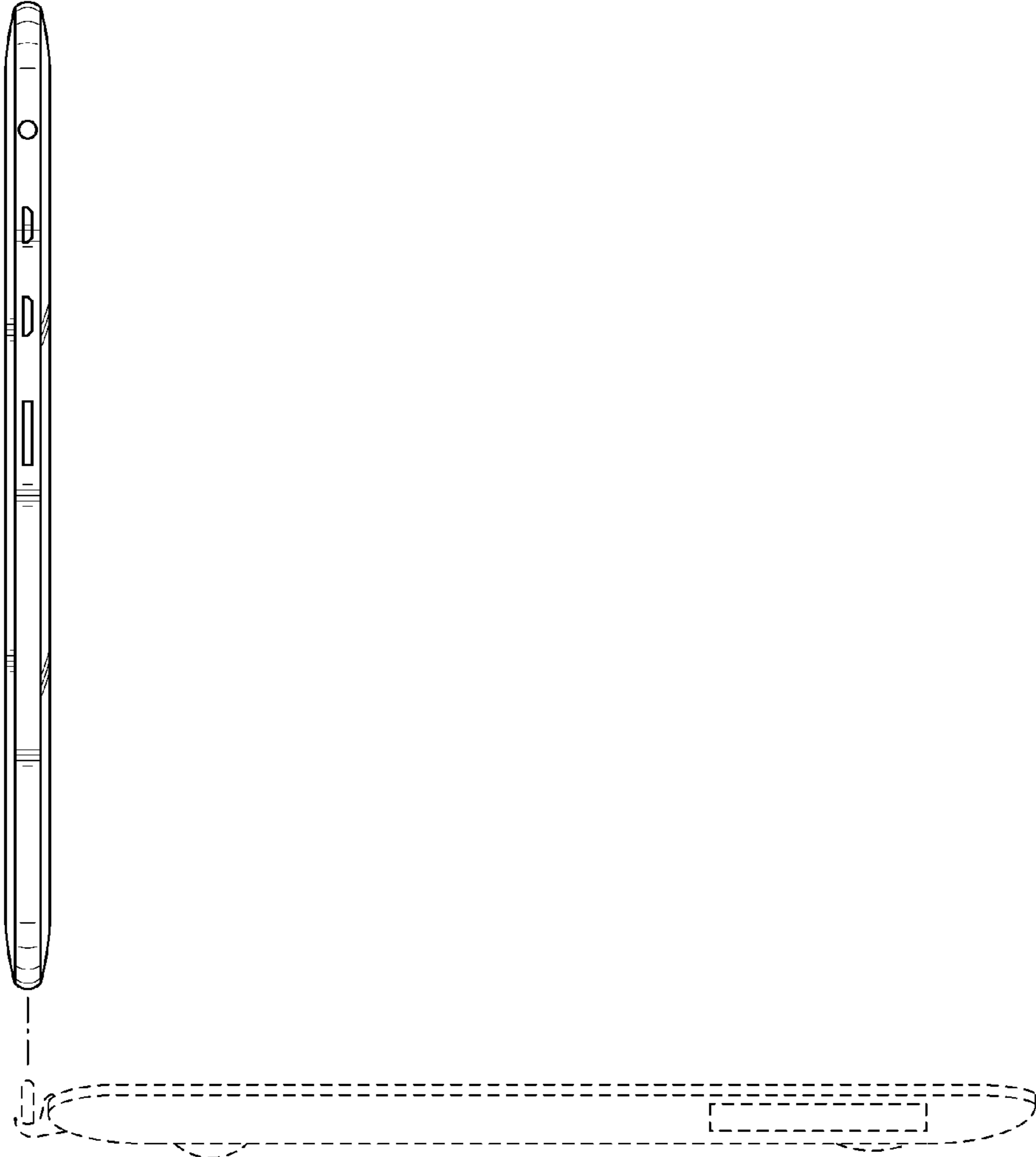


FIG.8

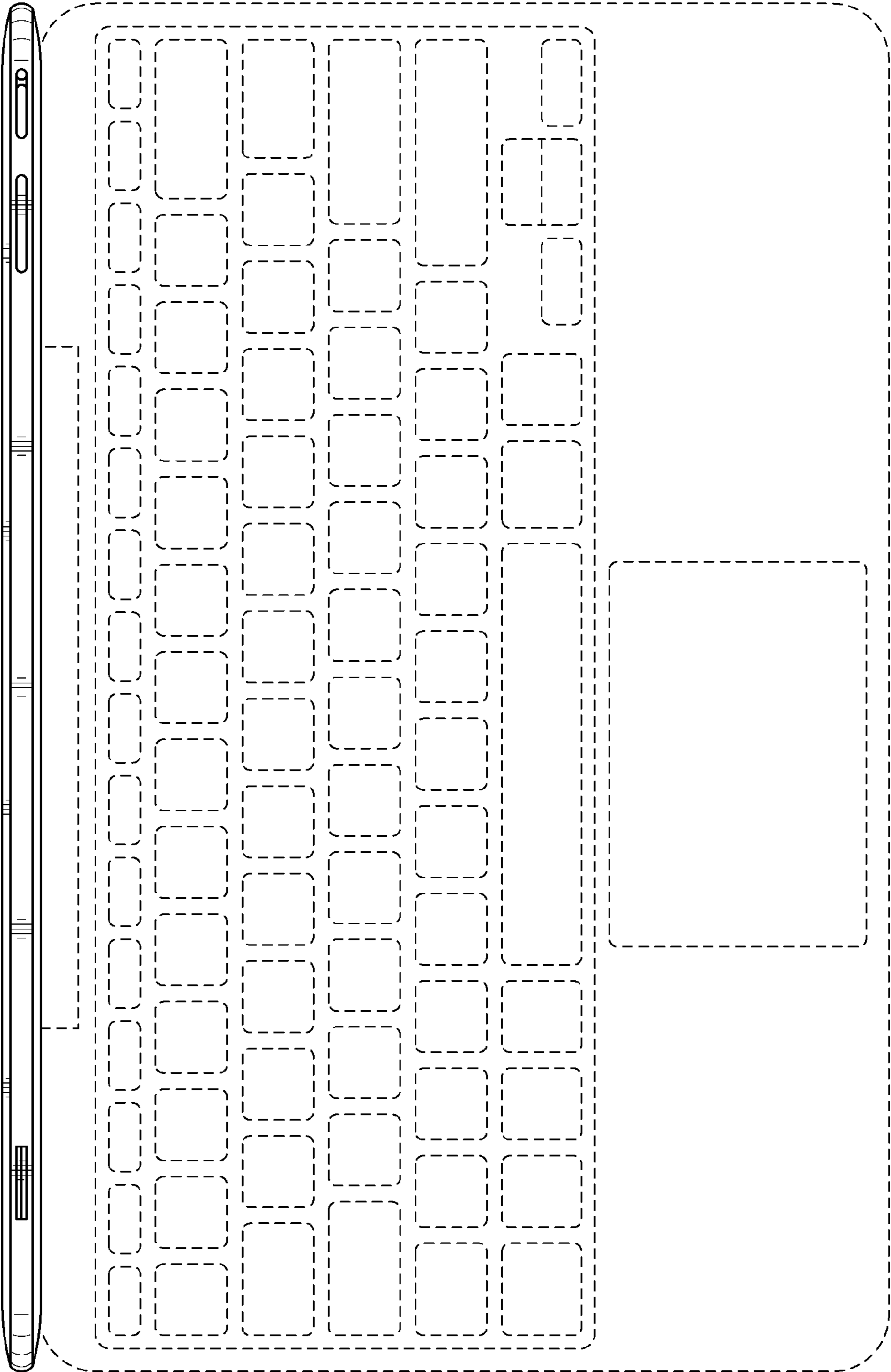


FIG. 9

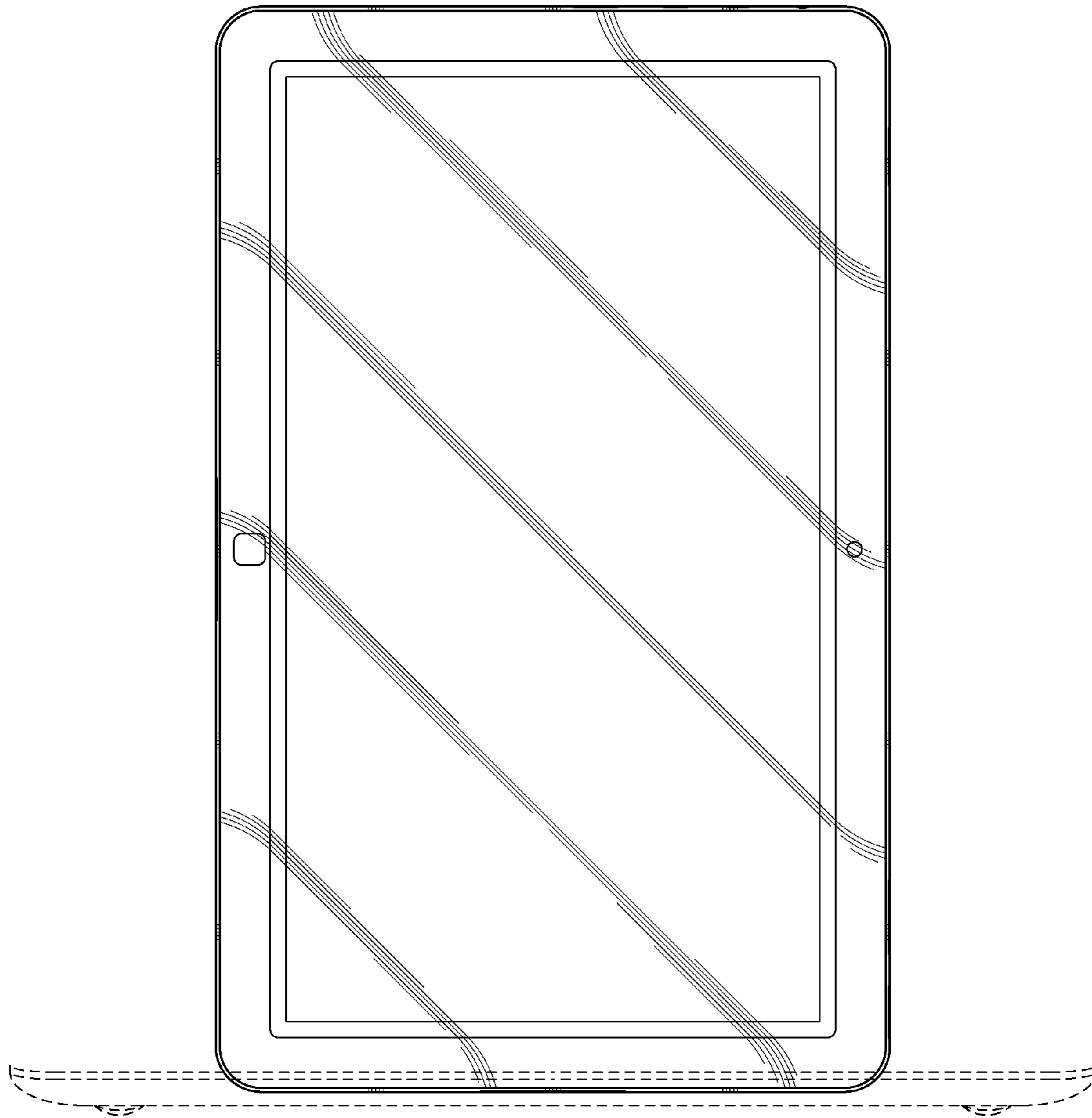


FIG. 10

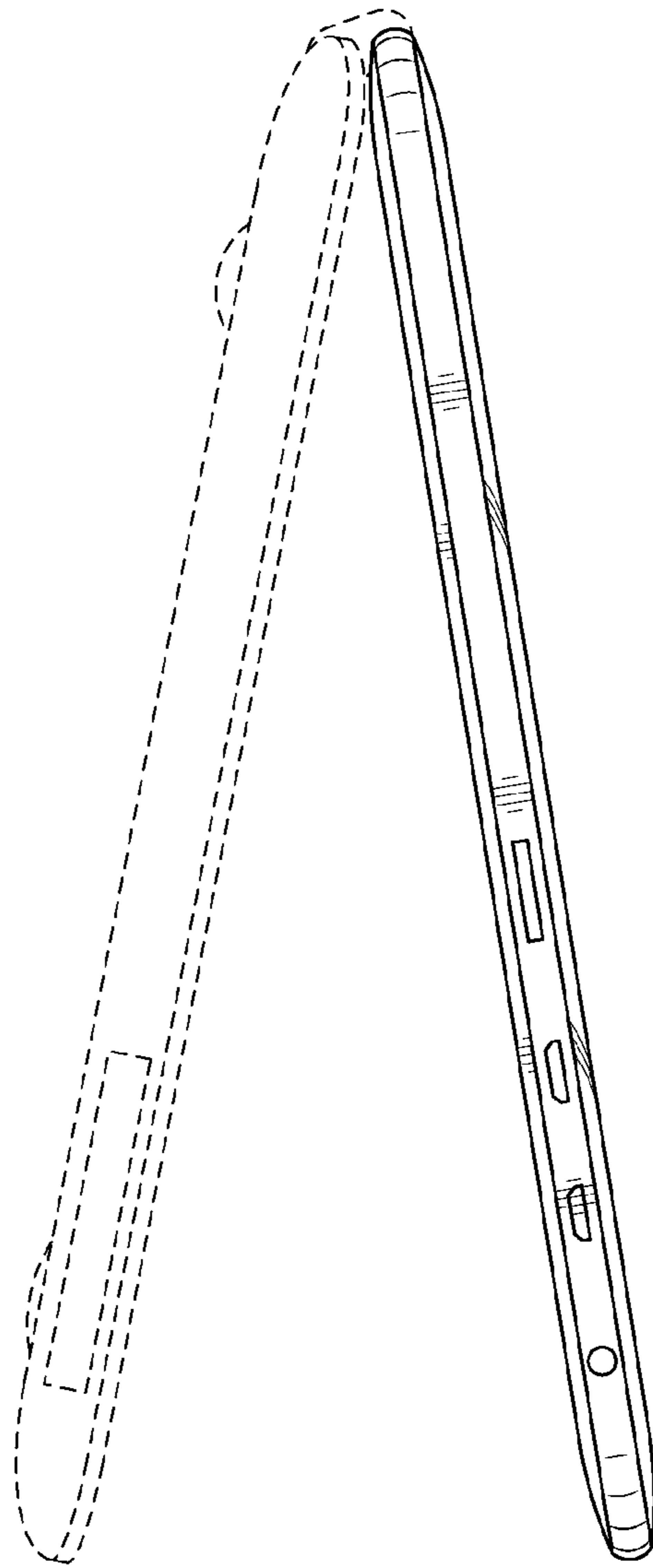


FIG.11