



US00D696246S

(12) **United States Design Patent**  
**Kim**

(10) **Patent No.:** **US D696,246 S**  
(45) **Date of Patent:** **\*\* Dec. 24, 2013**

(54) **SLATE COMPUTER**

FOREIGN PATENT DOCUMENTS

(75) Inventor: **Ik-Sang Kim**, Seoul (KR)

KR 3005985190000 5/2011  
KR 3005994750000 5/2011

(73) Assignee: **Samsung Electronics Co., Ltd.**,  
Suwon-Si (KR)

(Continued)

(\*\*) Term: **14 Years**

OTHER PUBLICATIONS

(21) Appl. No.: **29/419,893**

U.S. Appl. No. 29/390,463, Applicant: Kim, et al., filed Apr. 25, 2011  
entitled Tablet Computer.

(22) Filed: **May 2, 2012**

(Continued)

(30) **Foreign Application Priority Data**

*Primary Examiner* — Barbara Fox

Nov. 15, 2011 (KR) ..... 30-2011-0048016

(74) *Attorney, Agent, or Firm* — Wood, Herron & Evans,  
LLP

(51) **LOC (9) Cl.** ..... **14-02**

(57) **CLAIM**

(52) **U.S. Cl.**  
USPC ..... **D14/341**

The ornamental design for a slate computer, as shown and  
described.

(58) **Field of Classification Search**

**DESCRIPTION**

USPC ..... D14/341–347, 137, 138 AA, 138 R,  
D14/138 C, 138 G, 496, 203.1, 203.3, 203.7,  
D14/426, 129, 130, 420, 147, 218, 247–248,  
D14/389, 388, 315–318; D10/65, 104.1;  
D18/6–7; D21/324, 329, 330;  
455/556.1, 556.2, 566, 575.1, 90.3;  
379/433.04, 433.01, 433.06, 916;  
345/173, 901, 905; 361/679.26,  
361/679.27, 679.3, 679.55, 679.56,  
361/680–686; 248/917–924; 348/373, 376

FIG. 1 is a top front perspective view of a slate computer  
showing my new design;  
FIG. 2 is a front elevational view thereof;  
FIG. 3 is a rear elevational view thereof;  
FIG. 4 is a left side elevational view thereof;  
FIG. 5 is a right side elevational view thereof;  
FIG. 6 is a top plan view thereof;  
FIG. 7 is a bottom plan view thereof;  
FIG. 8 is a using state view thereof when the slate computer is  
in a combination with a separate keyboard;  
FIG. 9 is a using state view thereof when the slate computer is  
in a combination with a separate keyboard;  
FIG. 10 is a using state view thereof when the slate computer  
is in a combination with a separate keyboard; and,  
FIG. 11 is a using state view thereof when the slate computer  
is in a combination with a separate keyboard.  
The broken line showing of a keyboard in FIGS. 8-11 repre-  
sents environmental structure which forms no part of the  
claimed design.

See application file for complete search history.

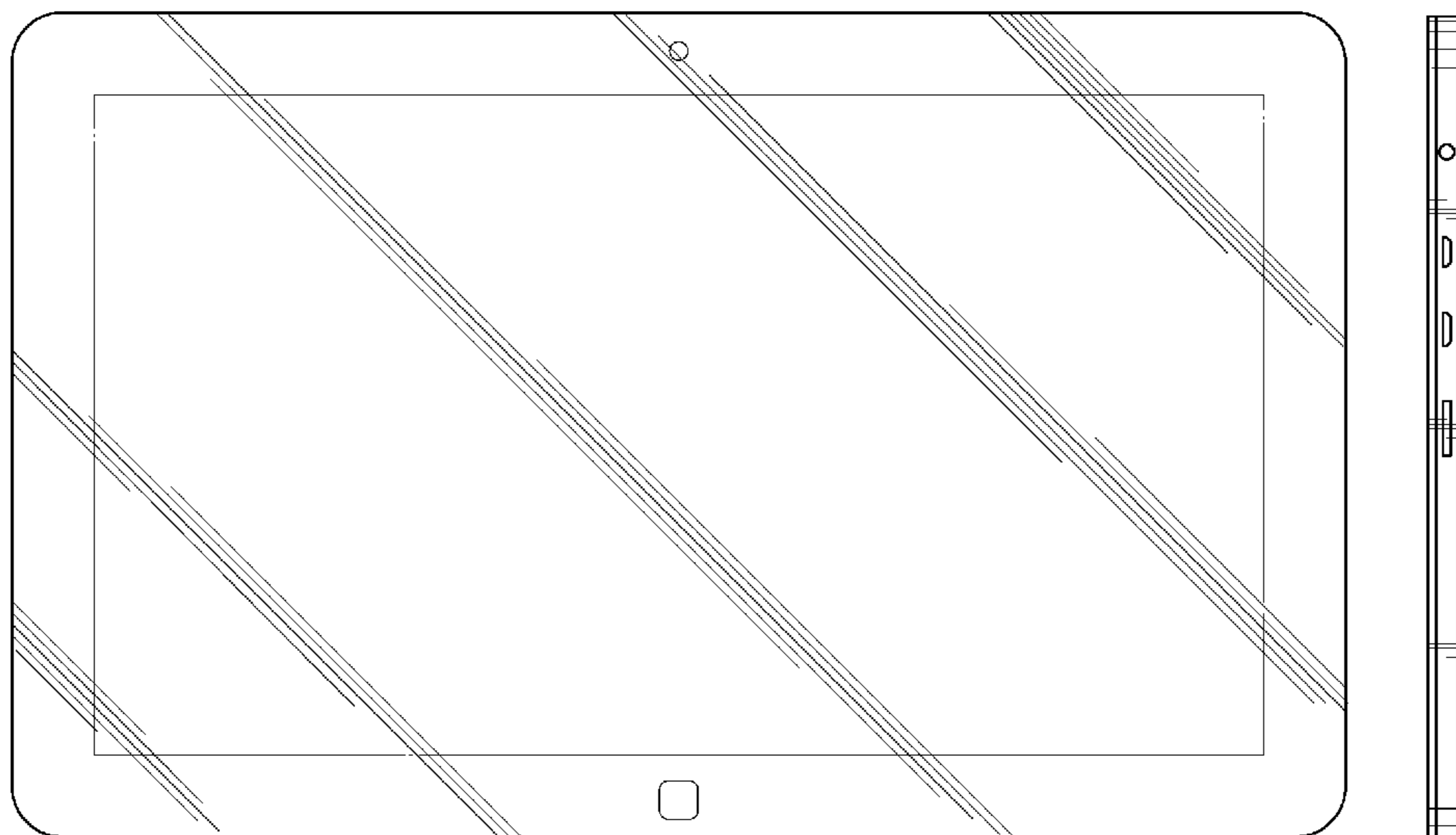
(56) **References Cited**

U.S. PATENT DOCUMENTS

D284,084 S 6/1986 Ferrara, Jr.  
D306,583 S 3/1990 Krolopp et al.  
D333,574 S 3/1993 Ackeret  
D337,569 S \* 7/1993 Kando ..... D14/341  
D500,991 S 1/2005 Niitsu

(Continued)

**1 Claim, 7 Drawing Sheets**



(56)

References Cited

U.S. PATENT DOCUMENTS

D504,889 S \* 5/2005 Andre et al. .... D14/341  
 D532,791 S 11/2006 Kim  
 D558,756 S \* 1/2008 Andre et al. .... D14/341  
 D563,804 S 3/2008 Kimura et al.  
 D579,930 S 11/2008 Maskatia  
 D584,738 S \* 1/2009 Kim et al. .... D14/496  
 D590,374 S 4/2009 Madonna et al.  
 D592,214 S 5/2009 Bradford  
 D602,014 S \* 10/2009 Andre et al. .... D14/341  
 D602,015 S \* 10/2009 Andre et al. .... D14/341  
 D602,017 S \* 10/2009 Andre et al. .... D14/341  
 D602,486 S \* 10/2009 Andre et al. .... D14/341  
 D602,487 S \* 10/2009 Maskatia .... D14/341  
 D605,626 S 12/2009 Park  
 D610,582 S 2/2010 Sugitani et al.  
 D611,364 S 3/2010 Lenz et al.  
 D613,510 S 4/2010 Tzeng et al.  
 D613,951 S 4/2010 Tang et al.  
 D615,083 S \* 5/2010 Andre et al. .... D14/341  
 D617,793 S 6/2010 Chiang et al.  
 D622,270 S 8/2010 Andre et al.  
 D624,896 S \* 10/2010 Park et al. .... D14/138 G  
 D626,437 S \* 11/2010 Lee et al. .... D10/65  
 D627,667 S 11/2010 Lenz et al.  
 D627,778 S \* 11/2010 Akana et al. .... D14/341  
 D628,913 S 12/2010 Cheng  
 D629,799 S 12/2010 Andre et al.  
 D636,769 S \* 4/2011 Wood et al. .... D14/341  
 D637,596 S \* 5/2011 Akana et al. .... D14/341  
 D639,805 S \* 6/2011 Song et al. .... D14/341  
 D640,255 S 6/2011 Lee et al.  
 D640,663 S \* 6/2011 Arnholt et al. .... D14/138 G  
 D641,018 S \* 7/2011 Lee et al. .... D14/341  
 D642,563 S \* 8/2011 Akana et al. .... D14/341  
 D645,015 S \* 9/2011 Lee et al. .... D14/138 G  
 D645,435 S \* 9/2011 Kim et al. .... D14/138 G  
 D645,833 S \* 9/2011 Seflic et al. .... D14/138 G  
 D650,381 S \* 12/2011 Park et al. .... D14/341  
 D654,460 S \* 2/2012 Kim et al. .... D14/138 G  
 D654,497 S \* 2/2012 Lee .... D14/341  
 D663,298 S \* 7/2012 Song et al. .... D14/341  
 D664,540 S \* 7/2012 Kim et al. .... D14/341  
 D664,954 S \* 8/2012 Kim et al. .... D14/341  
 D666,198 S \* 8/2012 Van Den Nieuwenhuizen  
 et al. .... D14/341  
 D667,395 S \* 9/2012 Lee .... D14/341  
 D667,396 S \* 9/2012 Koh .... D14/341  
 D667,397 S \* 9/2012 Koh .... D14/341  
 D667,398 S \* 9/2012 Koh .... D14/341  
 D667,399 S \* 9/2012 Koh .... D14/341  
 D668,650 S \* 10/2012 Han .... D14/341  
 D668,651 S \* 10/2012 Kim et al. .... D14/341  
 D668,652 S \* 10/2012 Kim et al. .... D14/341  
 D669,469 S \* 10/2012 Kang .... D14/341  
 D670,692 S \* 11/2012 Akana et al. .... D14/341  
 D671,514 S \* 11/2012 Kim et al. .... D14/138 G  
 D672,344 S \* 12/2012 Li .... D14/341  
 D672,345 S \* 12/2012 Li .... D14/341  
 D672,739 S \* 12/2012 Sin .... D14/138 G  
 D672,768 S \* 12/2012 Huang et al. .... D14/341  
 D673,561 S \* 1/2013 Hyun et al. .... D14/341  
 D673,948 S \* 1/2013 Andre et al. .... D14/341  
 D673,950 S \* 1/2013 Li et al. .... D14/341  
 D674,369 S \* 1/2013 JaeWoong .... D14/138 G  
 D675,203 S \* 1/2013 Yang .... D14/341  
 D675,588 S \* 2/2013 Park .... D14/138 G  
 D675,612 S \* 2/2013 Andre et al. .... D14/341

D676,443 S \* 2/2013 Canizares et al. .... D14/341  
 D676,819 S \* 2/2013 Choi .... D14/138 G  
 D677,255 S \* 3/2013 McManigal et al. .... D14/341  
 D677,640 S \* 3/2013 Kim et al. .... D14/138 G  
 D677,659 S \* 3/2013 Akana et al. .... D14/341  
 D677,660 S \* 3/2013 Groene et al. .... D14/341  
 D678,271 S \* 3/2013 Chiu .... D14/341  
 D679,706 S \* 4/2013 Tang et al. .... D14/341  
 D680,524 S \* 4/2013 Feng et al. .... D14/341  
 D681,032 S \* 4/2013 Akana et al. .... D14/341  
 D681,583 S \* 5/2013 Park .... D14/138 G  
 D681,591 S \* 5/2013 Sung .... D14/138 G  
 D681,632 S \* 5/2013 Akana et al. .... D14/341  
 D682,239 S \* 5/2013 Yeh et al. .... D14/138 G  
 D684,553 S \* 6/2013 Kim et al. .... D14/138 G  
 D684,968 S \* 6/2013 Smith et al. .... D14/341  
 D685,783 S \* 7/2013 Bryan et al. .... D14/341  
 2009/0231292 A1 9/2009 Hsieh et al.

FOREIGN PATENT DOCUMENTS

KR 3006004150000 6/2011  
 KR 3006004300000 6/2011  
 KR 3006046440000 7/2011

OTHER PUBLICATIONS

U.S. Appl. No. 29/390,464, Applicant: Kim, et al., filed Apr. 25, 2011  
 entitled Tablet Computer.  
 U.S. Appl. No. 29/407,982, Applicant Lee et al, filed Dec. 6, 2011,  
 entitled Tablet Computer.  
 U.S. Appl. No. 29/407,984, Applicant Jeon et al, filed Dec. 6, 2011,  
 entitled Tablet Computer.  
 U.S. Appl. No. 29/407,981, Applicant Chun et al, filed Dec. 6, 2011,  
 entitled Cradle for Tablet Computer.  
 U.S. Appl. No. 29/407,989, Applicant Lee et al, filed Dec. 6, 2011,  
 entitled Cradle for Tablet Computer.  
 U.S. Appl. No. 29/407,996, Applicant Jeon et al, filed Dec. 6, 2011,  
 entitled Charger for Tablet Computer.  
 U.S. Appl. No. 29/408,009, Applicant Song et al, filed Dec. 6, 2011,  
 entitled Tablet Computer.  
 U.S. Appl. No. 29/408,017, Applicant Song et al, filed Dec. 6, 2011,  
 entitled Tablet Computer.  
 U.S. Appl. No. 29/390,462, Applicant: Kim, et al., filed Apr. 25, 2011  
 entitled Tablet Computer.  
 U.S. Appl. No. 29/405,537, Applicant Ik-Sang Kim, filed Nov. 3,  
 2011, entitled Tablet Computer.  
 U.S. Appl. No. 29/407,975, Applicant Chun et al, filed Dec. 6, 2011,  
 entitled Tablet Computer.  
 U.S. Appl. No. 29/416,029, Applicant Kim et al., filed Dec. 6, 2011,  
 entitled Tablet Computer.  
 U.S. Appl. No. 29/416,032, Applicant Kim et al., filed Mar. 16, 2012,  
 entitled Tablet Computer.  
 U.S. Appl. No. 29/418,670, Applicant Song et al., filed Apr. 19, 2012,  
 entitled Tablet Computer.  
 U.S. Appl. No. 29/420,669, Applicant Lim et al., filed May 11, 2012,  
 entitled Tablet Computer.  
 U.S. Appl. No. 29/419,907, Applicant Ik-Sang Kim, filed May 2,  
 2012, entitled Slate Computer.  
 U.S. Appl. No. 29/419,911, Applicant Kim et al., filed May 2, 2012,  
 entitled Tablet Computer.  
 U.S. Appl. No. 29/425,227, Applicant Kim et al., filed Jun. 20, 2012,  
 entitled Tablet Computer.  
 U.S. Appl. No. 29/422,467, Applicant Song et al., filed May 21, 2012,  
 entitled Tablet Computer.

\* cited by examiner

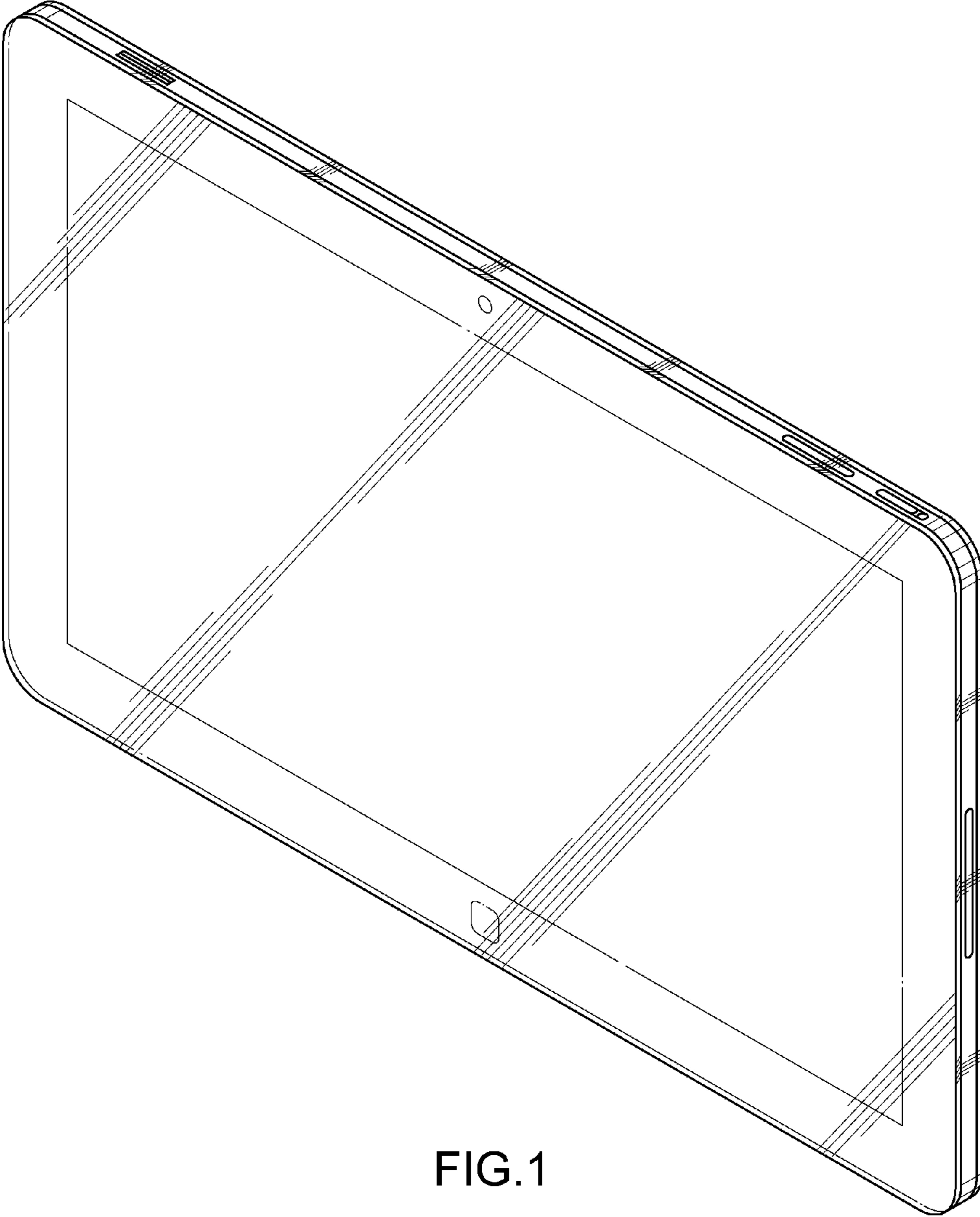


FIG. 1

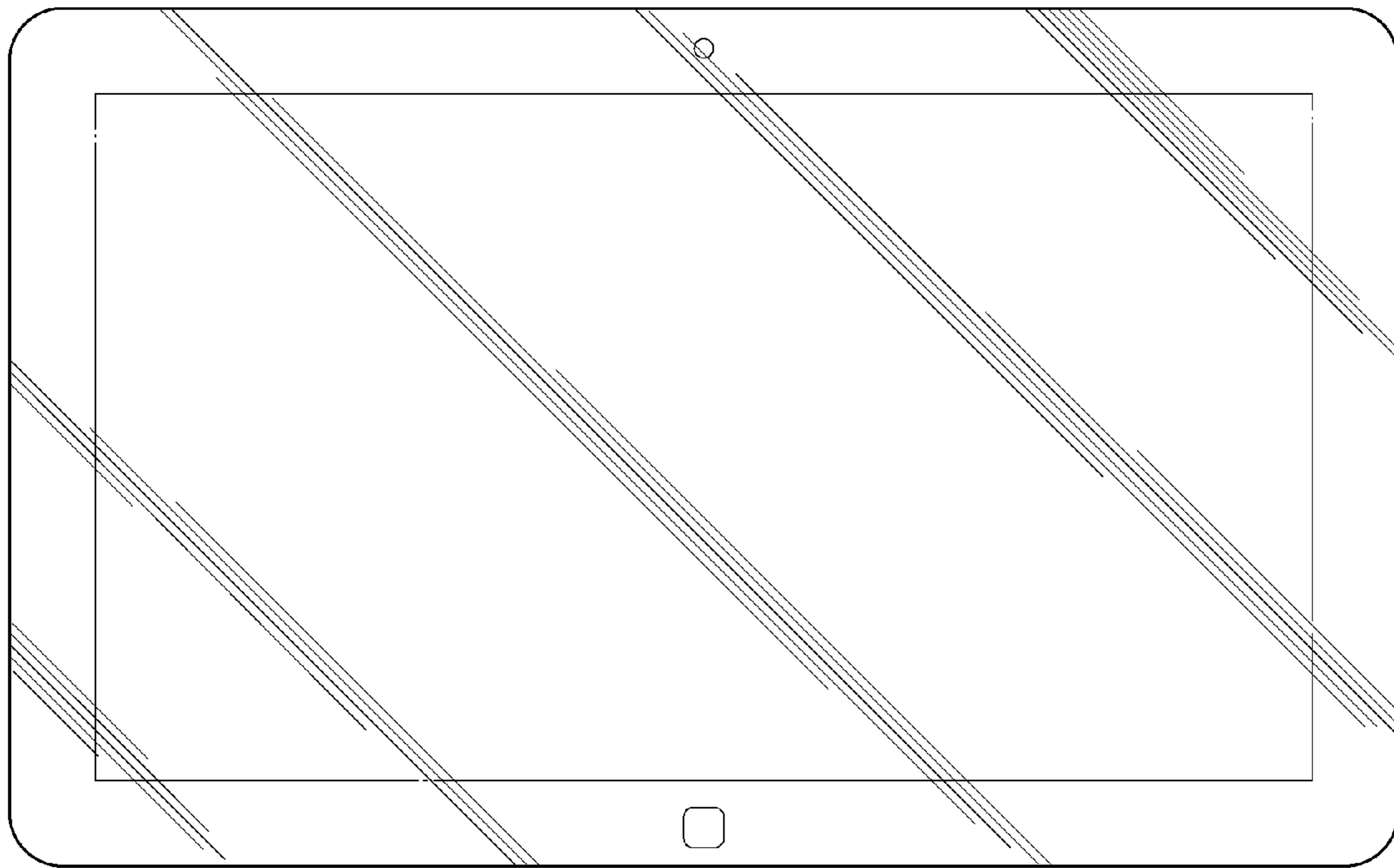


FIG. 2

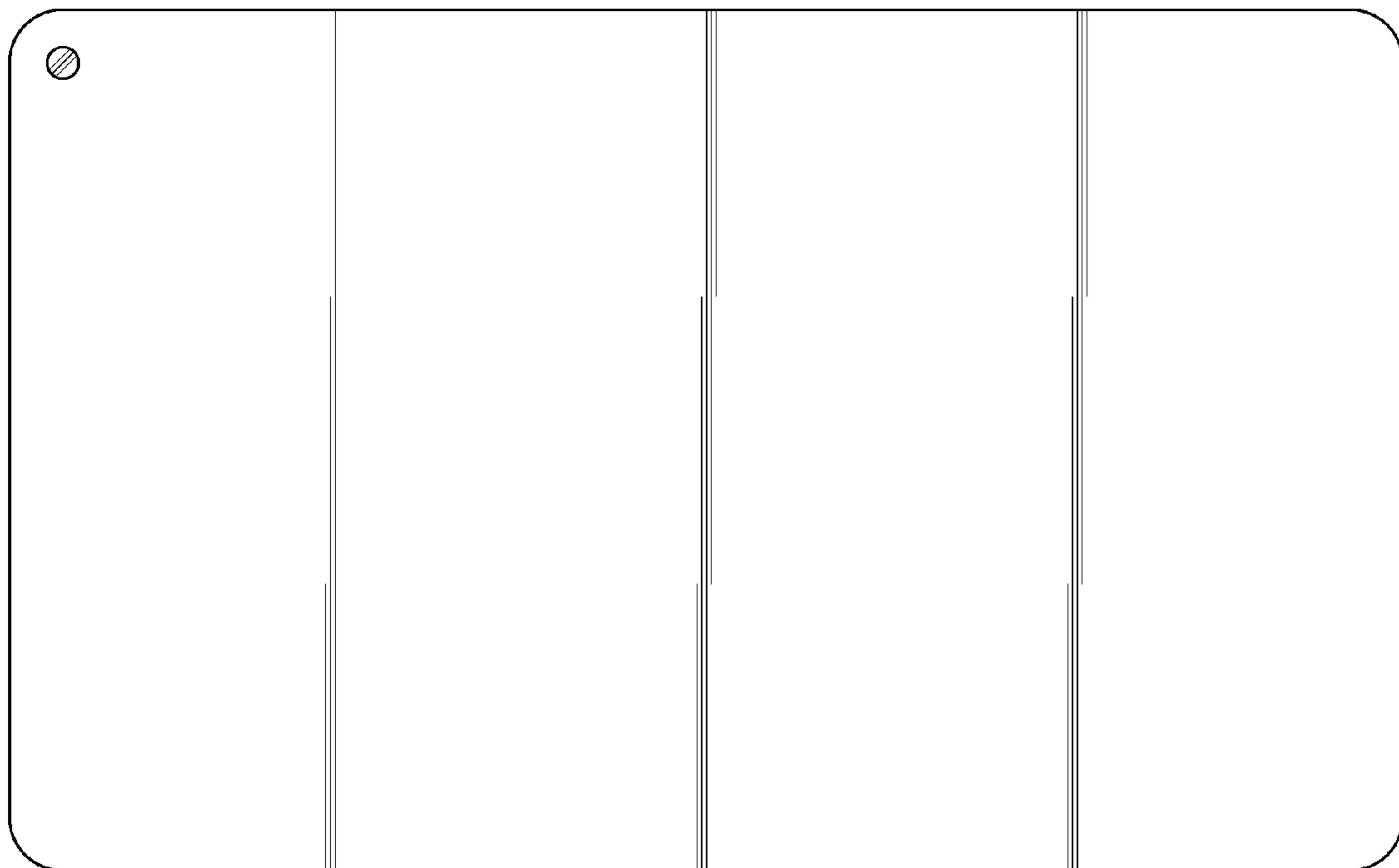


FIG. 3



FIG.4



FIG.5

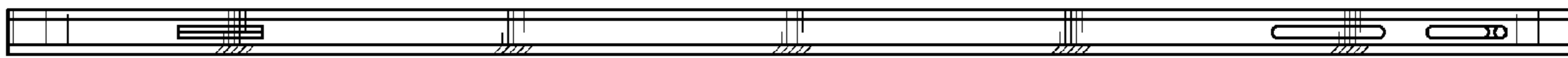


FIG.6



FIG.7

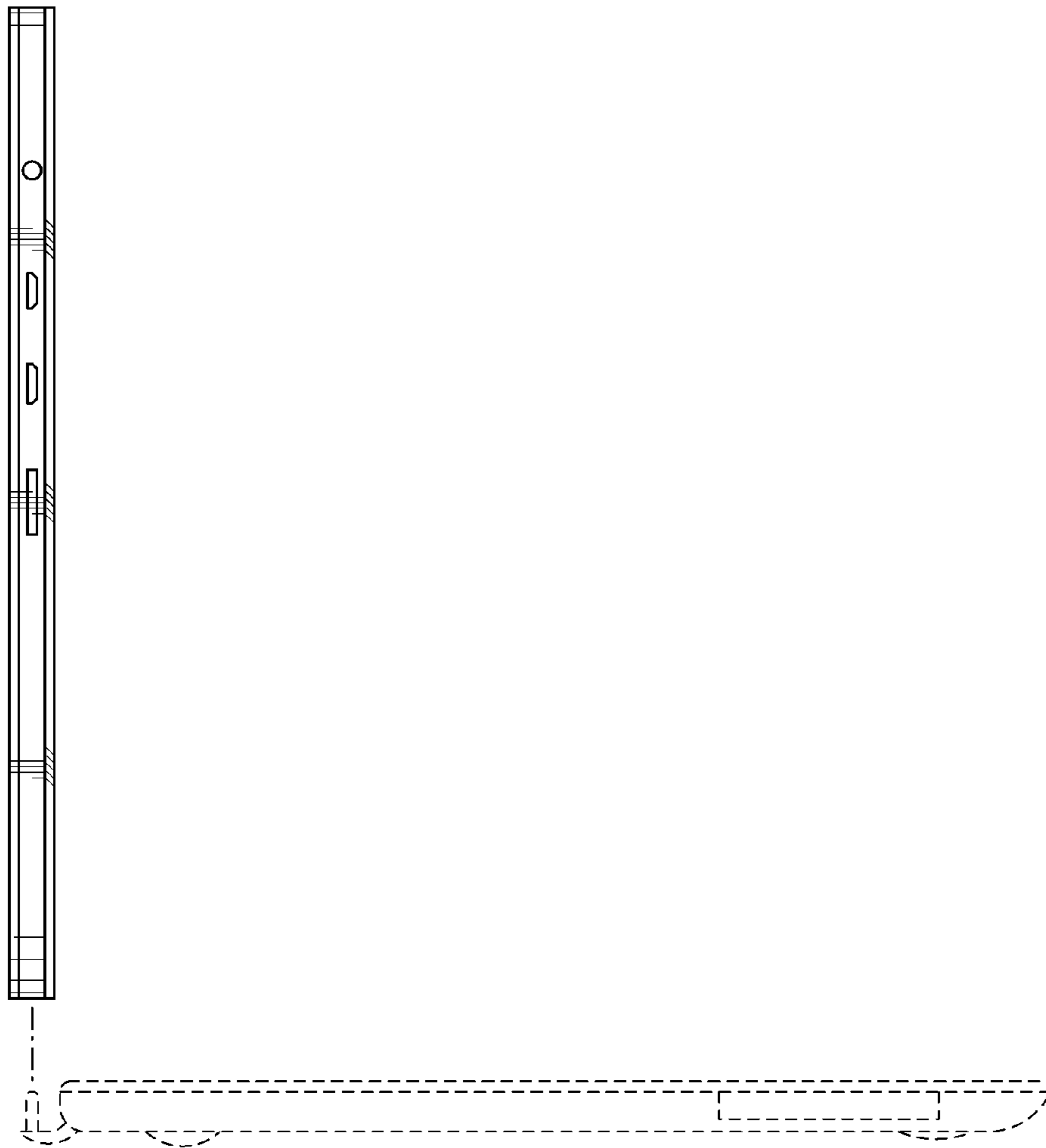


FIG. 8

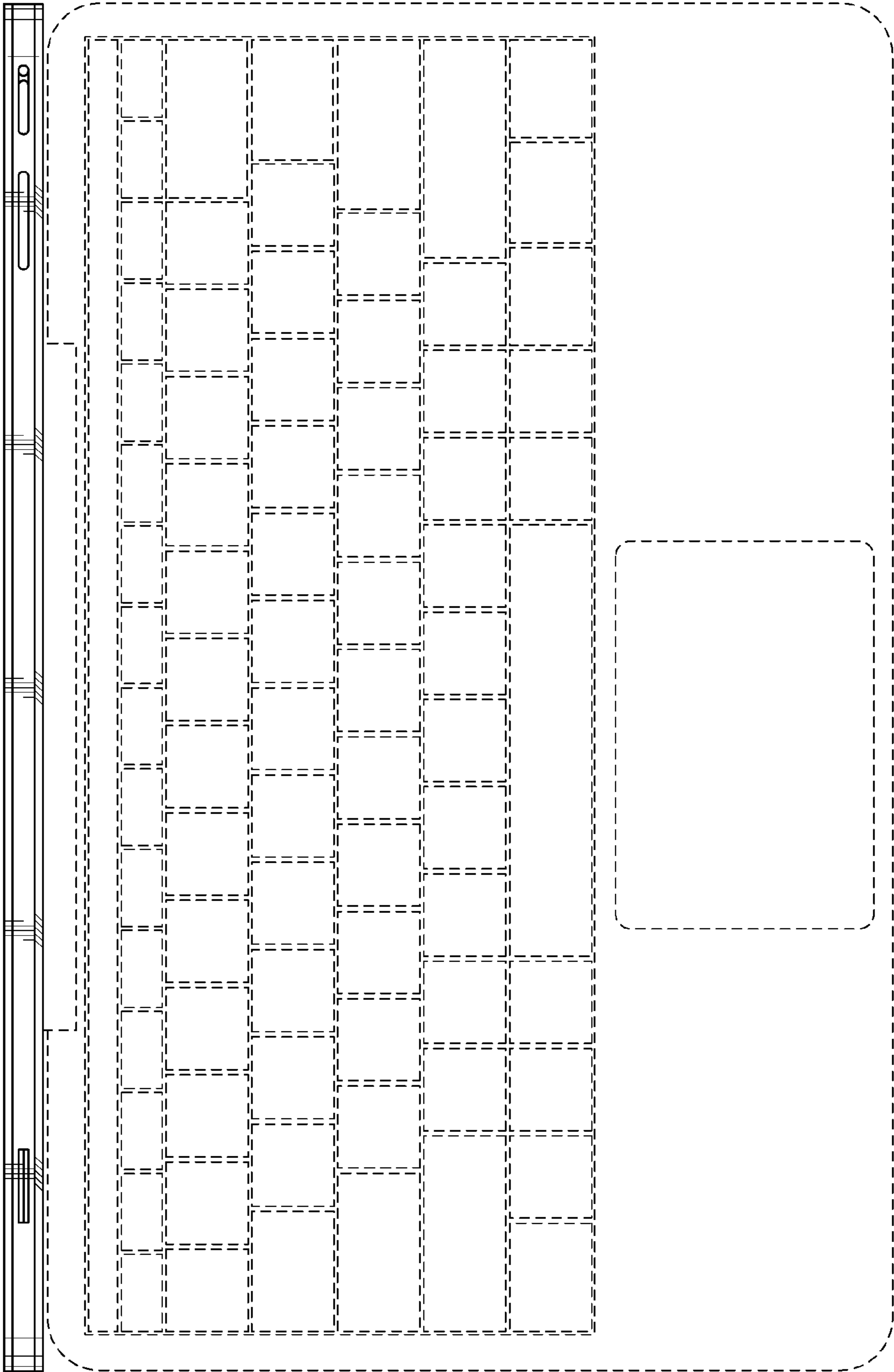


FIG.9

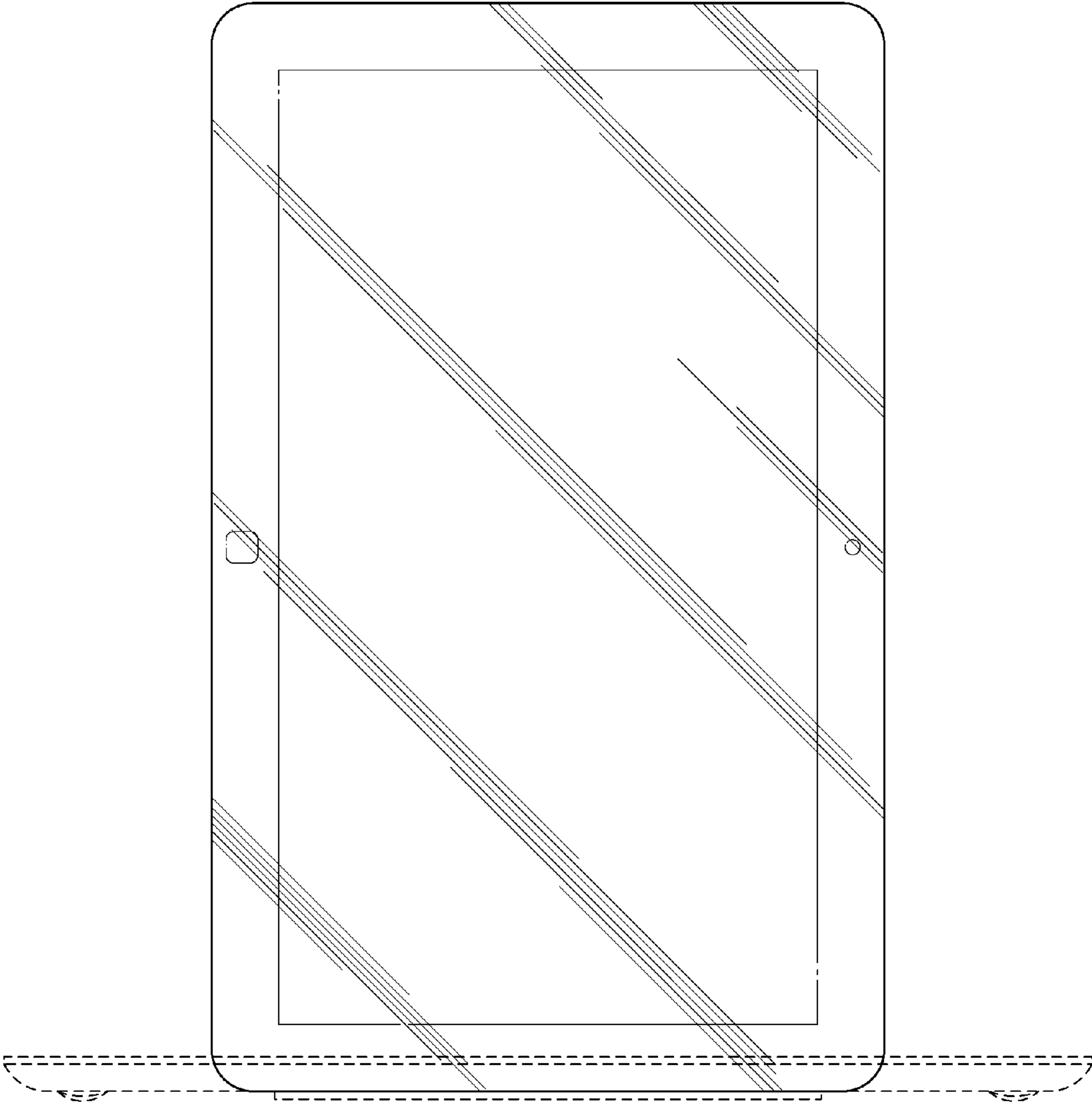


FIG.10



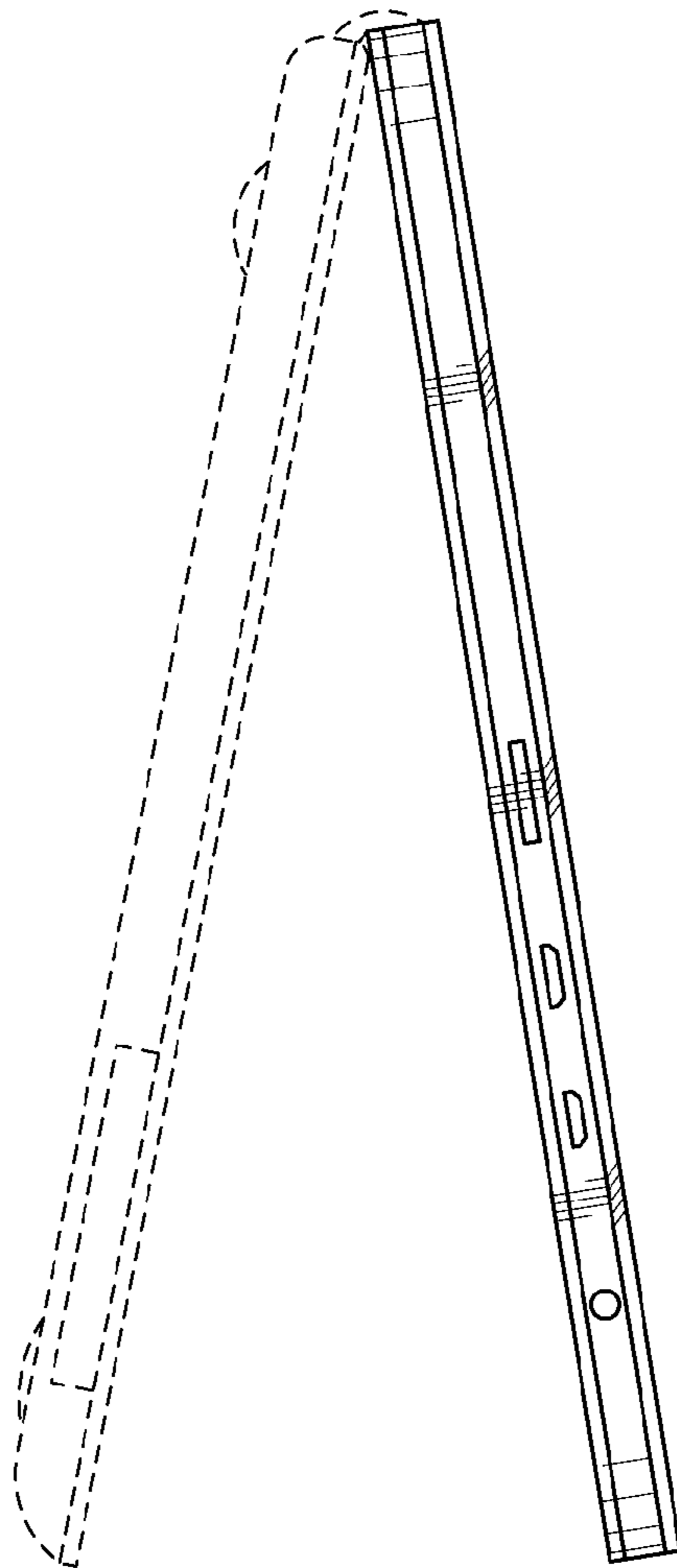


FIG.11