

US00D696245S

(12) **United States Design Patent**
Lee et al.

(10) **Patent No.:** **US D696,245 S**
(45) **Date of Patent:** **** Dec. 24, 2013**

(54) **PORTABLE COMPUTER**

- (71) Applicant: **Samsung Electronics Co., Ltd.**,
Suwon-Si (KR)
- (72) Inventors: **Dong-Seok Lee**, Seoul (KR); **Sang-Won Yoon**, Seoul (KR); **Ik-Sang Kim**, Seoul (KR)
- (73) Assignee: **Samsung Electronics Co., Ltd.**,
Suwon-Si (KR)
- (**) Term: **14 Years**
- (21) Appl. No.: **29/435,889**
- (22) Filed: **Oct. 30, 2012**

(30) **Foreign Application Priority Data**

May 4, 2012 (KR) 30-2012-0021922

- (51) **LOC (9) Cl.** **14-02**
- (52) **U.S. Cl.**
USPC **D14/315**

- (58) **Field of Classification Search**
USPC D14/315-327; D18/1, 2, 7, 11;
235/145 A, 145 R; 341/22, 23; 345/104,
345/156, 168, 169, 173; 361/679.08,
361/679.09, 679.11, 679.26, 679.27
See application file for complete search history.

(56) **References Cited**

U.S. PATENT DOCUMENTS

D284,084 S	6/1986	Ferrara, Jr.	
D306,583 S	3/1990	Krolopp et al.	
5,103,376 A *	4/1992	Blonder	361/679.09
D332,944 S	2/1993	Kim	
D333,574 S	3/1993	Ackeret	
D334,738 S	4/1993	Kim	
D335,870 S	5/1993	Yun	

(Continued)

FOREIGN PATENT DOCUMENTS

KR	3005506890000	1/2010
KR	3005544080000	3/2010

(Continued)

OTHER PUBLICATIONS

U.S. Appl. No. 29/419,063, Applicant: Kim, et al., filed May 2, 2012
entitled Notebook Computer.

(Continued)

Primary Examiner — Freda S Nunn

(74) *Attorney, Agent, or Firm* — Wood, Herron & Evans,
LLP

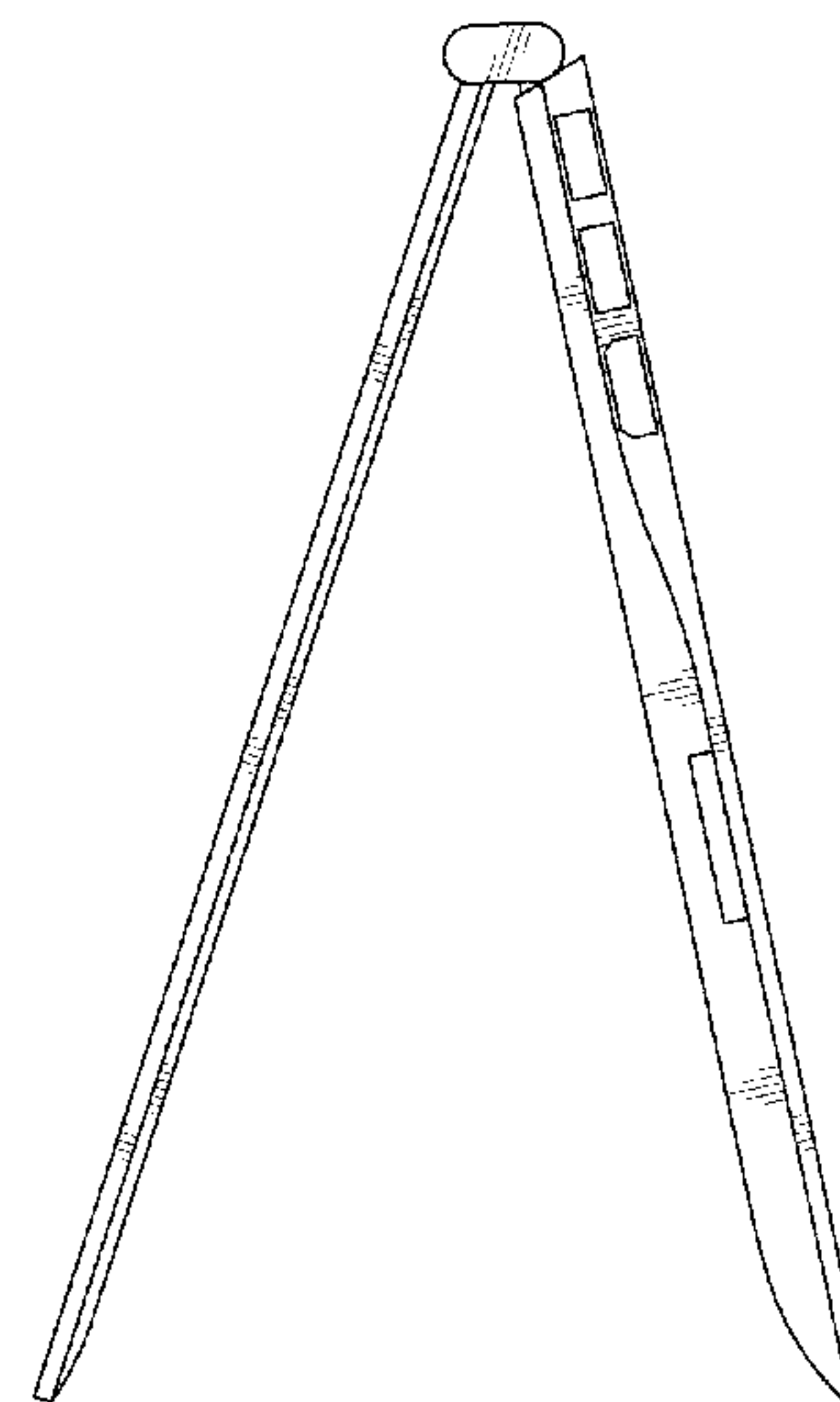
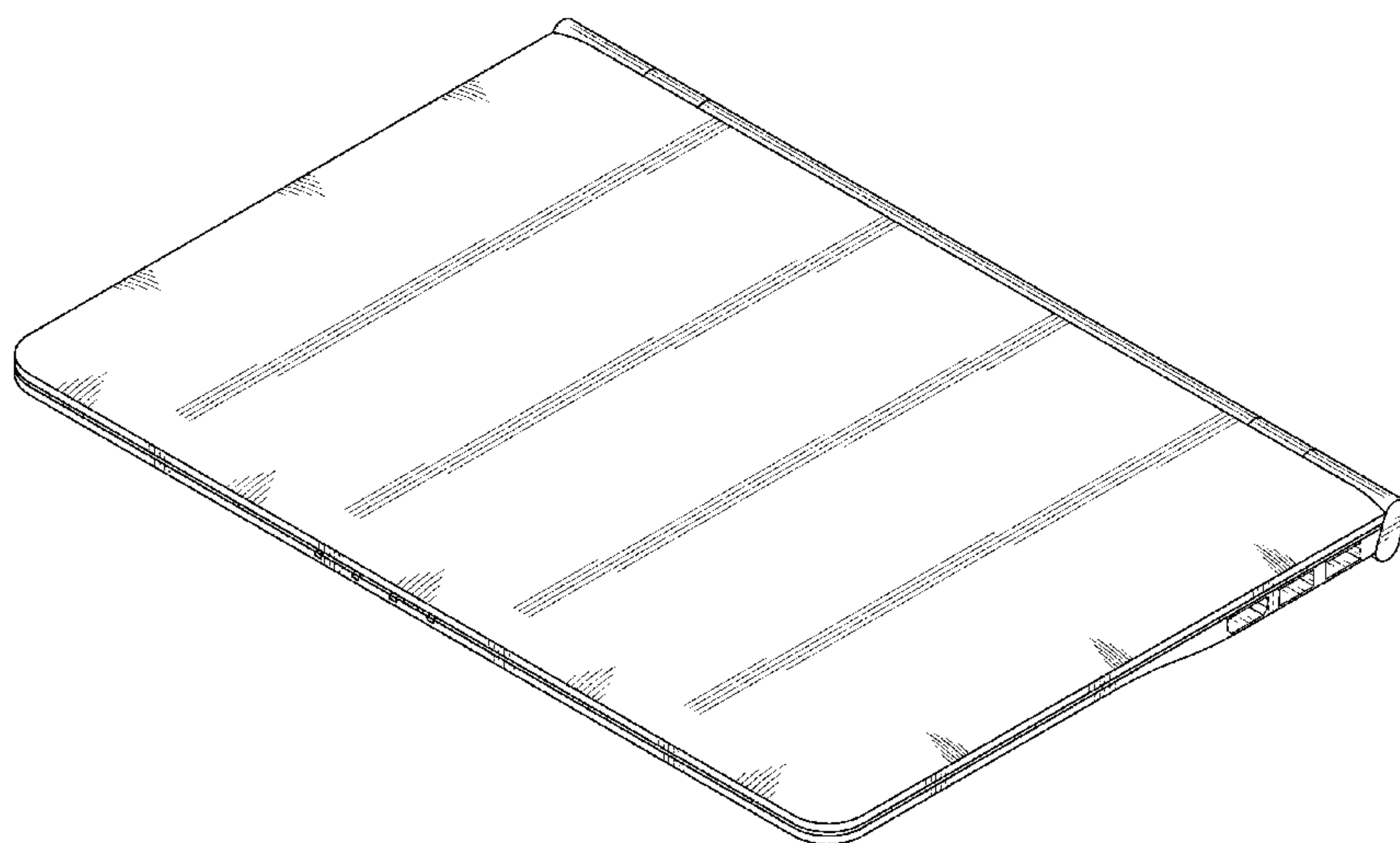
(57) **CLAIM**

The ornamental design for a portable computer, as shown and
described.

DESCRIPTION

FIG. 1 is a top front perspective view of a portable computer showing our new design;
 FIG. 2 is a front elevational view thereof;
 FIG. 3 is a rear elevational view thereof;
 FIG. 4 is a left side elevational view thereof;
 FIG. 5 is a right side elevational view thereof;
 FIG. 6 is a top plan view thereof;
 FIG. 7 is a bottom plan view thereof;
 FIG. 8 is a right side elevational view thereof showing the computer being used as notebook computer;
 FIG. 9 is a right side elevational view thereof showing the screen rotated and the computer being used in a tent-like position;
 FIG. 10 is a right side elevational view thereof showing the screen rotated and the computer being used in a stand-like position; and,
 FIG. 11 is a right side elevational view thereof showing the screen rotated and the computer being used as tablet computer.

1 Claim, 7 Drawing Sheets



(56)

References Cited

U.S. PATENT DOCUMENTS

D336,465 S 6/1993 Kim
 D337,569 S 7/1993 Kando
 D338,457 S 8/1993 Kim
 D348,442 S 7/1994 Yoon
 6,067,224 A 5/2000 Nobuchi
 6,519,139 B2 2/2003 Kambayashi
 6,714,403 B2 * 3/2004 Furuki et al. 361/679.09
 D492,678 S 7/2004 Kim et al.
 6,775,129 B1 8/2004 Ghosh et al.
 6,781,819 B2 8/2004 Yang et al.
 6,785,128 B1 8/2004 Yun
 D499,704 S 12/2004 Song
 D500,991 S 1/2005 Niitsu
 D504,889 S 5/2005 Andre et al.
 6,972,946 B2 12/2005 Hamada et al.
 D517,545 S 3/2006 Buckel et al.
 7,012,802 B2 3/2006 Nakajima et al.
 D523,010 S 6/2006 Paek et al.
 D523,431 S 6/2006 Yoon
 D523,851 S 6/2006 Jeong et al.
 D523,852 S 6/2006 Kim et al.
 D524,306 S 7/2006 Yun et al.
 D524,307 S 7/2006 Kim et al.
 D528,541 S * 9/2006 Maskatia D14/315
 D532,791 S 11/2006 Kim
 D535,652 S 1/2007 Lee et al.
 D540,790 S 4/2007 Kim et al.
 D547,309 S 7/2007 Yoon
 D547,310 S 7/2007 Yoon
 D556,192 S 11/2007 Jeong et al.
 D563,804 S 3/2008 Kimura et al.
 D567,236 S 4/2008 Yoon
 D578,523 S 10/2008 Yoon
 D578,524 S 10/2008 Yoon
 D578,525 S 10/2008 Yoon
 D579,930 S 11/2008 Maskatia
 D580,432 S 11/2008 Yun et al.
 D584,738 S 1/2009 Kim et al.
 D586,343 S 2/2009 Lee et al.
 D586,796 S 2/2009 Lee et al.
 D586,797 S 2/2009 Kawase et al.
 D587,701 S 3/2009 Yoon
 D587,710 S 3/2009 Han
 D588,126 S 3/2009 Chiang et al.
 D589,511 S 3/2009 Han
 D589,958 S 4/2009 Han
 D590,374 S 4/2009 Madonna et al.
 D592,214 S 5/2009 Bradford
 D596,633 S 7/2009 Kawase et al.
 D602,014 S 10/2009 Andre et al.
 D602,487 S 10/2009 Maskatia
 D603,391 S 11/2009 Song et al.
 D603,392 S 11/2009 Jeong et al.
 D603,393 S 11/2009 Paek
 D603,394 S 11/2009 Lee
 D603,395 S 11/2009 Hong et al.
 D603,692 S 11/2009 Boyd
 D603,861 S 11/2009 Hong et al.
 D605,626 S 12/2009 Park
 D606,067 S 12/2009 Yoon
 D606,068 S 12/2009 Hong et al.
 D606,069 S 12/2009 Heck et al.
 D606,070 S 12/2009 Heck et al.
 D606,534 S 12/2009 Hong et al.
 D608,777 S 1/2010 Yoon
 D610,582 S 2/2010 Sugitani et al.
 D611,364 S 3/2010 Lenz et al.
 D611,468 S 3/2010 Yun et al.
 D613,510 S 4/2010 Tzeng et al.
 D613,951 S 4/2010 Tang et al.
 D613,961 S 4/2010 Lin
 D614,614 S 4/2010 Yoon
 D614,615 S 4/2010 Yoon
 D617,793 S 6/2010 Chiang et al.
 D621,827 S * 8/2010 Cheng et al. D14/327

D622,268 S 8/2010 Hong et al.
 D622,270 S 8/2010 Andre et al.
 D626,124 S 10/2010 Chyan et al.
 D626,543 S 11/2010 Hagen
 D626,546 S 11/2010 Paek
 D627,341 S 11/2010 Yoon
 D627,667 S 11/2010 Lenz et al.
 D627,773 S 11/2010 Paek
 D628,195 S 11/2010 Yoon
 D628,913 S 12/2010 Cheng
 D629,799 S 12/2010 Andre et al.
 D631,040 S 1/2011 Yoon et al.
 D631,455 S 1/2011 Kim et al.
 D631,471 S 1/2011 Jensen et al.
 D631,472 S 1/2011 Kawase et al.
 D631,473 S 1/2011 Lee et al.
 D631,878 S 2/2011 Jensen et al.
 D631,879 S 2/2011 Kawase
 D633,487 S 3/2011 Kim et al.
 D633,488 S 3/2011 Kim et al.
 D633,489 S 3/2011 Kim et al.
 D633,490 S 3/2011 Kim et al.
 D634,745 S 3/2011 Park et al.
 7,916,889 B2 3/2011 Takakusaki
 D636,388 S 4/2011 Kawase
 D638,416 S 5/2011 Kawase
 D639,806 S 6/2011 Lee et al.
 D640,255 S 6/2011 Lee et al.
 D641,748 S 7/2011 Kawase
 D643,031 S 8/2011 Yoon et al.
 D643,032 S 8/2011 Heck et al.
 D643,425 S 8/2011 Jung et al.
 D646,677 S 10/2011 Moon et al.
 D649,542 S 11/2011 Yoon et al.
 D649,543 S * 11/2011 Tseng et al. D14/315
 D650,325 S 12/2011 Kim et al.
 D650,378 S 12/2011 Lee et al.
 D650,379 S 12/2011 Paek et al.
 D651,206 S 12/2011 Kim et al.
 D651,597 S 1/2012 Lee et al.
 D651,598 S 1/2012 Kim et al.
 D651,599 S 1/2012 Kim et al.
 D651,600 S 1/2012 Lee et al.
 D652,415 S 1/2012 Lee et al.
 D652,416 S 1/2012 Park et al.
 D652,417 S 1/2012 Lee et al.
 D652,831 S 1/2012 Lee et al.
 D653,669 S 2/2012 Kim et al.
 D657,785 S 4/2012 Lee et al.
 D658,173 S 4/2012 Kim
 8,149,222 B2 4/2012 Hsieh et al.
 D661,294 S 6/2012 Park et al.
 D661,295 S 6/2012 Park et al.
 D661,298 S 6/2012 Park et al.
 D661,299 S 6/2012 Kim et al.
 D661,300 S 6/2012 Kim et al.
 D661,301 S 6/2012 Kim et al.
 D661,302 S 6/2012 Fukasawa et al.
 D664,532 S 7/2012 Lee
 D664,533 S 7/2012 Lee et al.
 D664,534 S 7/2012 Lee et al.
 D664,535 S 7/2012 Lee et al.
 D664,538 S 7/2012 Ryu et al.
 D664,540 S 7/2012 Kim et al.
 D664,954 S 8/2012 Kim et al.
 D664,955 S 8/2012 Kim et al.
 D671,111 S 11/2012 Kim et al.
 D671,536 S 11/2012 Fukusawa et al.
 D671,538 S 11/2012 Kim et al.
 D671,539 S 11/2012 Kim et al.
 2005/0018396 A1 1/2005 Nakajima et al.
 2005/0041378 A1 2/2005 Hamada et al.
 2009/0231292 A1 9/2009 Hsieh et al.

FOREIGN PATENT DOCUMENTS

KR 3005639120000 6/2010
 KR 3005639130000 6/2010
 KR 3005680110000 7/2010

(56)

References Cited

FOREIGN PATENT DOCUMENTS

KR	3005804720000	11/2010
KR	3005869900000	1/2011
KR	3005942330000	4/2011
KR	3005958550000	4/2011
KR	3006013110001	6/2011
KR	3006013130000	6/2011
KR	3006013160000	6/2011
KR	3006013170000	6/2011
KR	3006052790000	7/2011
KR	3006052810000	7/2011
KR	3006052820000	7/2011
KR	3006052830000	7/2011
KR	3006059710000	7/2011
KR	3006063210000	7/2011
KR	3006064090000	7/2011
KR	3006083610000	8/2011
KR	3006083630000	8/2011
KR	3006083640000	8/2011
KR	3006083650000	8/2011
KR	3006083710000	8/2011
KR	3006083730000	8/2011
KR	3006085180000	8/2011

OTHER PUBLICATIONS

U.S. Appl. No. 29/419,062, Applicant: Kim, et al., filed May 2, 2012 entitled Notebook Computer.
 U.S. Appl. No. 29/419,914, Applicant: Park, et al., filed May 2, 2012 entitled Notebook Computer.
 U.S. Appl. No. 29/419,915, Applicant: Kim, et al., filed May 2, 2012 entitled Notebook Computer.
 U.S. Appl. No. 29/422,581, Applicant: Park, et al., filed May 22, 2012 entitled Notebook Computer.
 U.S. Appl. No. 29/422,779, Applicant: Tae-Yun Kim, filed May 23, 2012 entitled Notebook Computer.
 U.S. Appl. No. 29/423,727, Applicant: Lee, et al., filed Jun. 4, 2012 entitled Notebook Computer.
 U.S. Appl. No. 29/424,073, Applicant: Lee, et al., filed Jun. 7, 2012 entitled Notebook Computer.
 U.S. Appl. No. 29/424,462, Applicant: Sang-Eun Lee, filed Jun. 12, 2012 entitled Netbook Computer.
 U.S. Appl. No. 29/425,225, Applicant: Jung, et al., filed Jun. 20, 2012 entitled Portable Computer.
 U.S. Appl. No. 29/425,446, Applicant: Kim, et al., filed Jun. 22, 2012 entitled Portable Computer.
 U.S. Appl. No. 29/425,828, Applicant: Kim, et al., filed Jun. 27, 2012 entitled Portable Computer.
 U.S. Appl. No. 29/425,836, Applicant: Park, et al., filed Jun. 27, 2012 entitled Portable Computer.
 U.S. Appl. No. 29/423,726, Applicant: Lee, et al., filed Jun. 4, 2012 entitled Notebook Computer.
 U.S. Appl. No. 29/424,453, Applicant: Lee, et al., filed Jun. 12, 2012 entitled Notebook Computer.
 U.S. Appl. No. 29/435,870, Applicant: Lee, et al., filed Oct. 30, 2012 entitled Portable Computer.

U.S. Appl. No. 29/422,594, Applicant: Park, et al., filed Jun. 12, 2012 entitled Notebook Computer.
 U.S. Appl. No. 29/438,948, Applicant: Kim et al., filed Dec. 5, 2012 entitled Portable Computer.
 U.S. Appl. No. 29/438,951, Applicant: Kim et al., filed Dec. 5, 2012 entitled Portable Computer.
 U.S. Appl. No. 29/441,093, Applicant: Lee et al., filed Dec. 31, 2012 entitled Portable Computer.
 U.S. Appl. No. 29/441,101, Applicant: Lee et al., filed Dec. 31, 2012 entitled Portable Computer.
 U.S. Appl. No. 29/441,179, Applicant: Lee et al., filed Jan. 2, 2013 entitled Portable Computer.
 U.S. Appl. No. 29/441,112, Applicant: Lee et al., filed Dec. 31, 2012 entitled Portable Computer.
 U.S. Appl. No. 29/441,114, Applicant: Lee et al., filed Dec. 31, 2012 entitled Portable Computer.
 U.S. Appl. No. 29/438,934, Applicant: Kim et al., filed Dec. 5, 2012 entitled Slate Computer.
 U.S. Appl. No. 29/419,893, Applicant: Kim et al., filed May 2, 2012 entitled Slate Computer.
 U.S. Appl. No. 29/419,907, Applicant: Kim et al., filed May 2, 2012 entitled Slate Computer.
 U.S. Appl. No. 29/425,977, Applicant: Park, filed Jun. 28, 2012 entitled Tablet Computer.
 U.S. Appl. No. 29/425,978, Applicant: Lim et al., filed Jun. 28, 2012 entitled Tablet Computer.
 U.S. Appl. No. 29/427,736, Applicant: Kim et al., filed Jul. 21, 2012 entitled Tablet Computer.
 U.S. Appl. No. 29/431,774, Applicant: Lee et al., filed Sep. 11, 2012 entitled Tablet Computer.
 U.S. Appl. No. 29/405,537, Applicant: Kim, filed Nov. 3, 2012 entitled Tablet Computer.
 U.S. Appl. No. 29/407,975, Applicant: Chun et al., filed Dec. 6, 2011 entitled Tablet Computer.
 U.S. Appl. No. 29/407,982, Applicant: Lee et al., filed Dec. 6, 2011 entitled Tablet Computer.
 U.S. Appl. No. 29/407,984, Applicant: Jeon et al., filed Dec. 6, 2011 entitled Tablet Computer.
 U.S. Appl. No. 29/408,009, Applicant: Song et al., filed Dec. 6, 2011 entitled Tablet Computer.
 U.S. Appl. No. 29/408,017, Applicant: Song et al., filed Dec. 6, 2011 entitled Tablet Computer.
 U.S. Appl. No. 29/416,029, Applicant: Kim et al., filed Mar. 16, 2012 entitled Tablet Computer.
 U.S. Appl. No. 29/416,032, Applicant: Kim et al., filed Mar. 16, 2012 entitled Tablet Computer.
 U.S. Appl. No. 29/418,670, Applicant: Song et al., filed Apr. 19, 2012 entitled Tablet Computer.
 U.S. Appl. No. 29/419,911, Applicant: Kim et al., filed May 2, 2012 entitled Tablet Computer.
 U.S. Appl. No. 29/420,669, Applicant: Lim et al., filed May 11, 2012 entitled Tablet Computer.
 U.S. Appl. No. 29/422,467, Applicant: Song et al., filed May 21, 2012 entitled Tablet Computer.

* cited by examiner

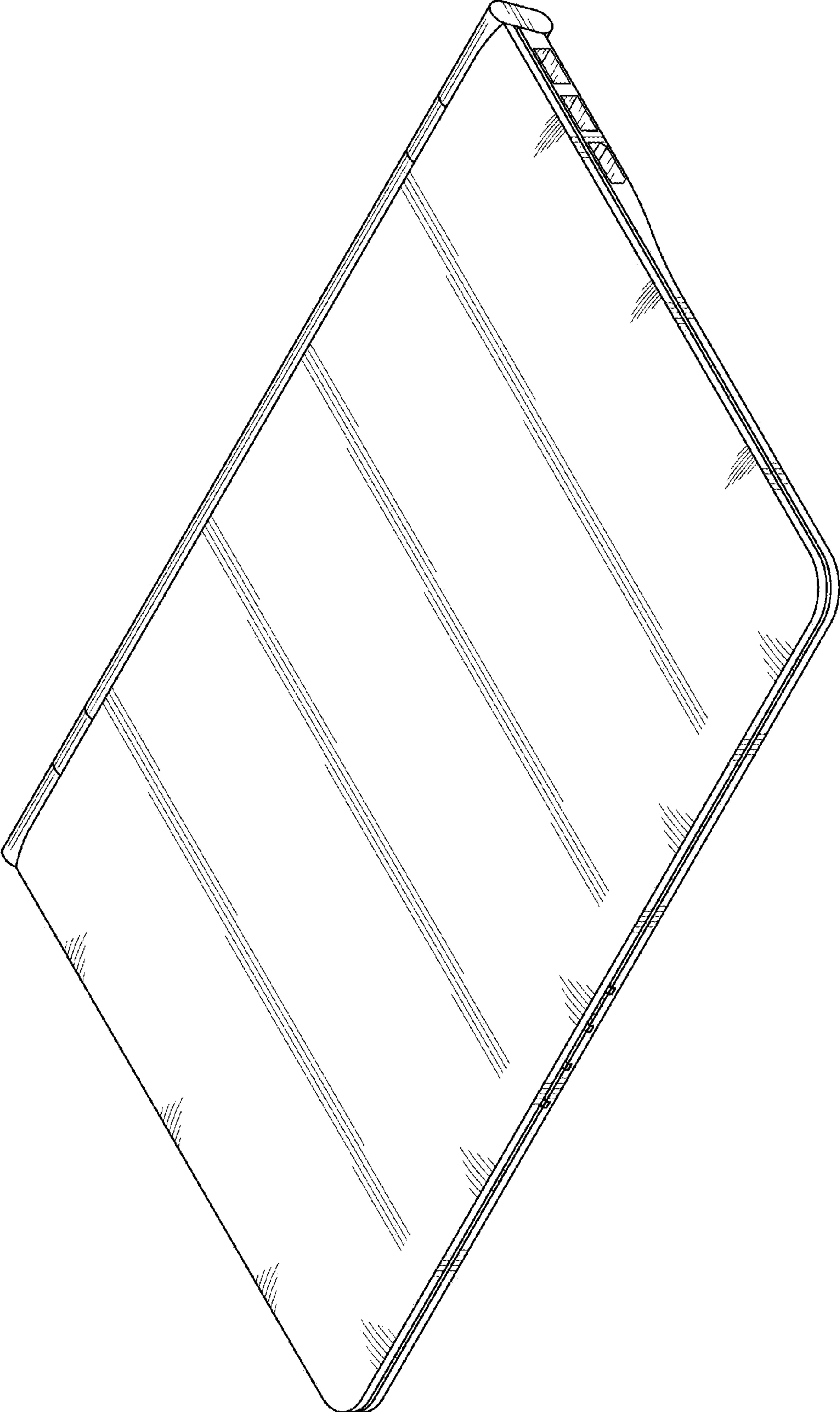


FIG.1

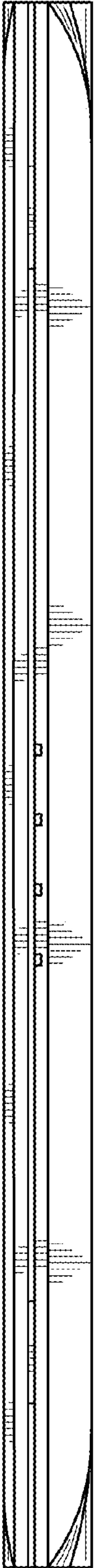


FIG. 2

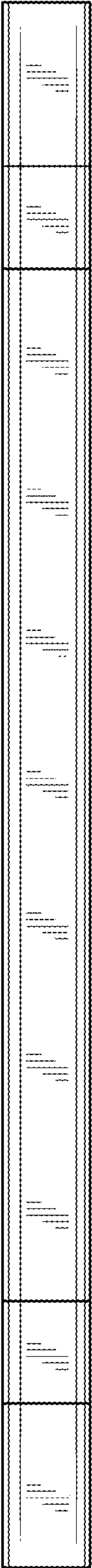


FIG. 3

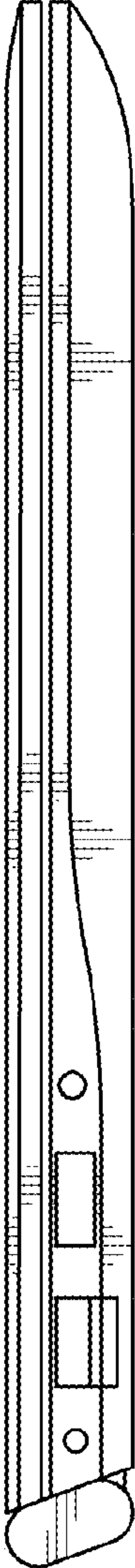


FIG. 4

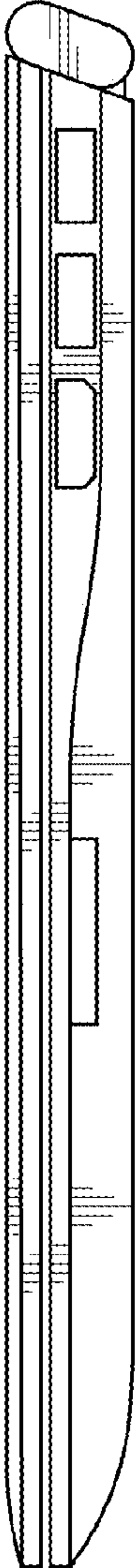


FIG. 5

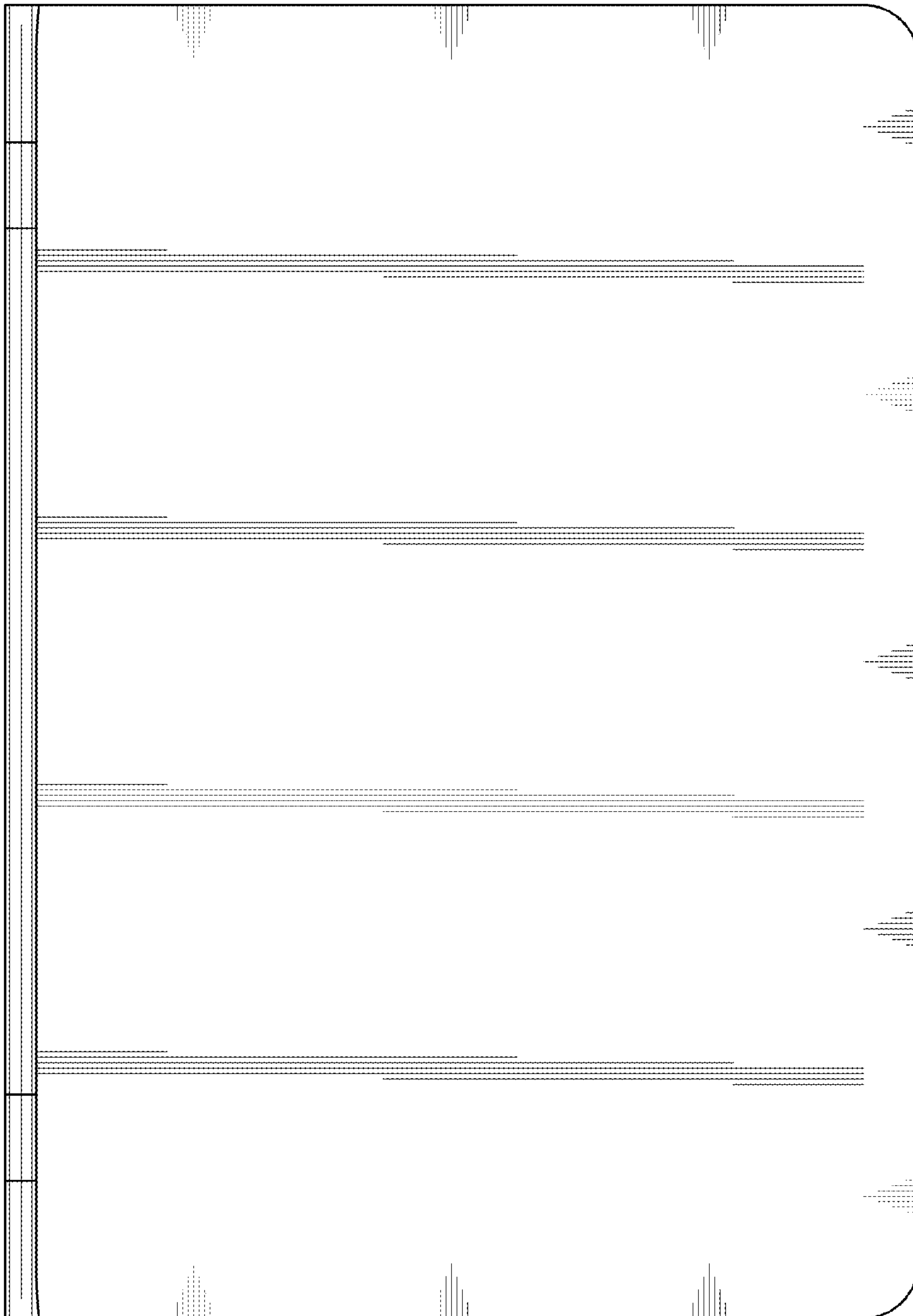


FIG.6

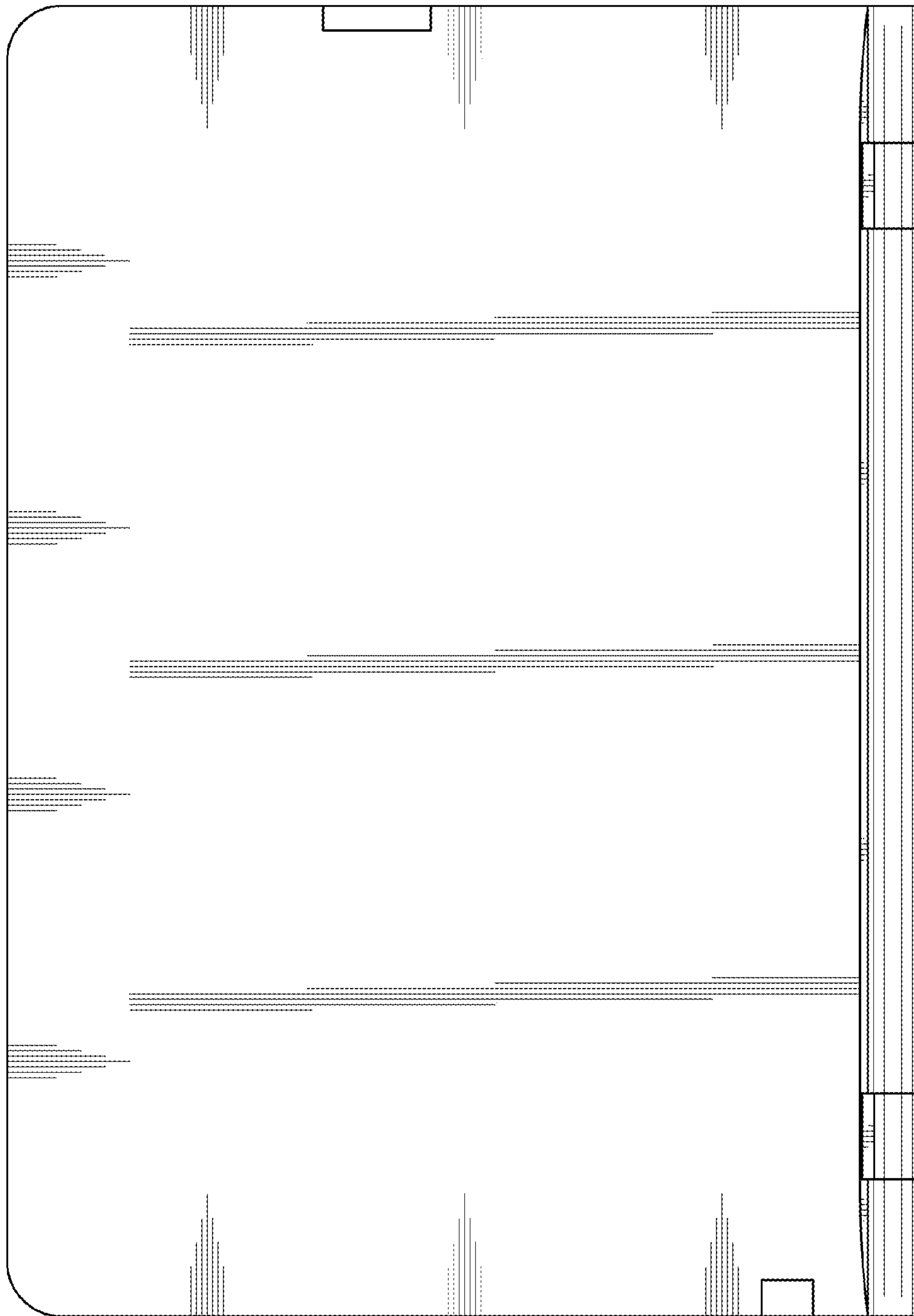


FIG.7

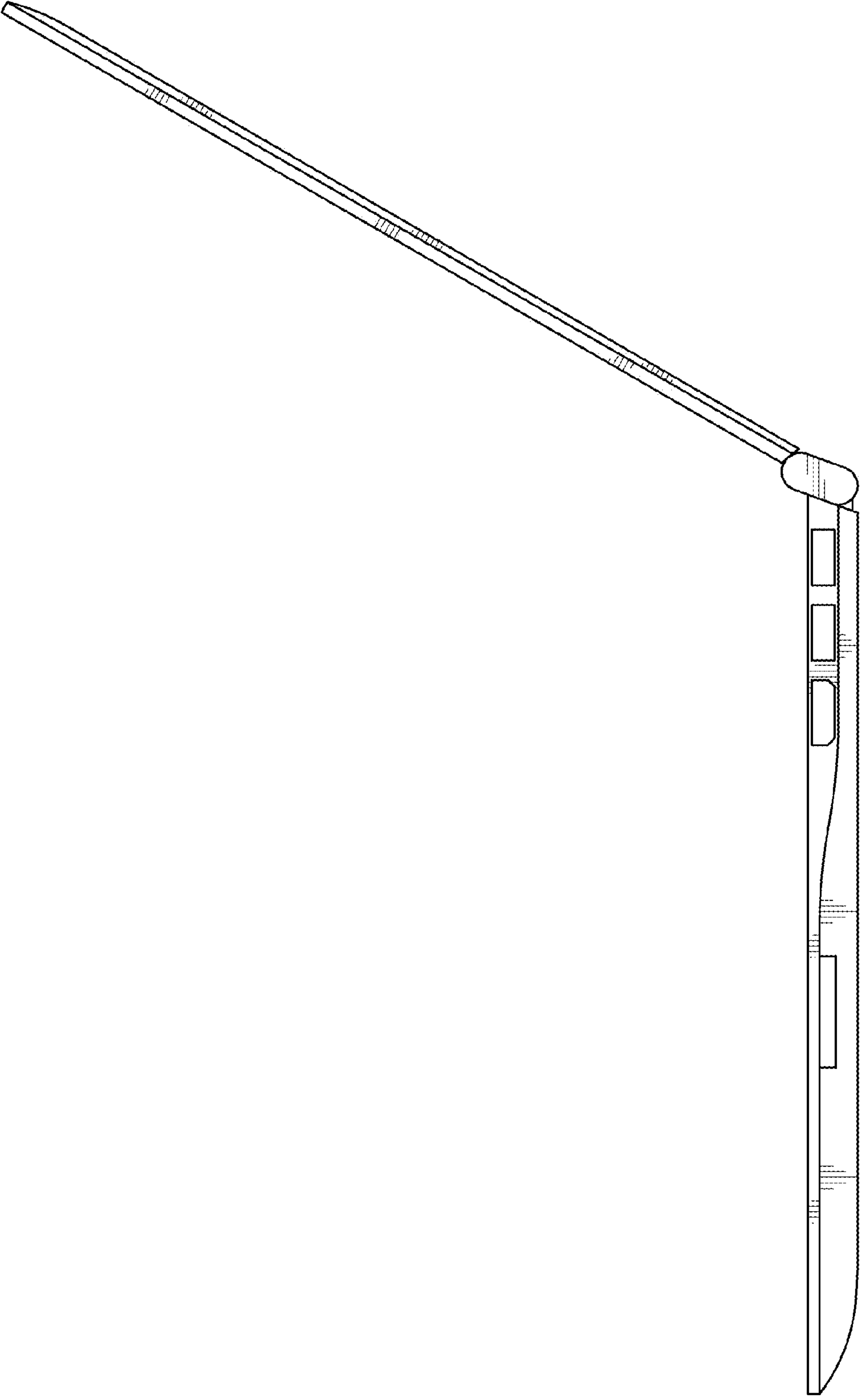


FIG.8

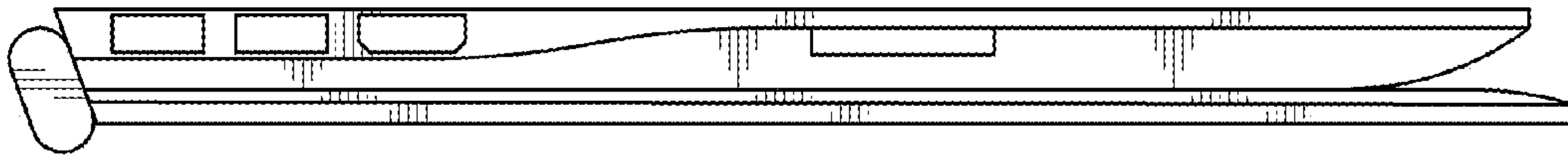


FIG. 11

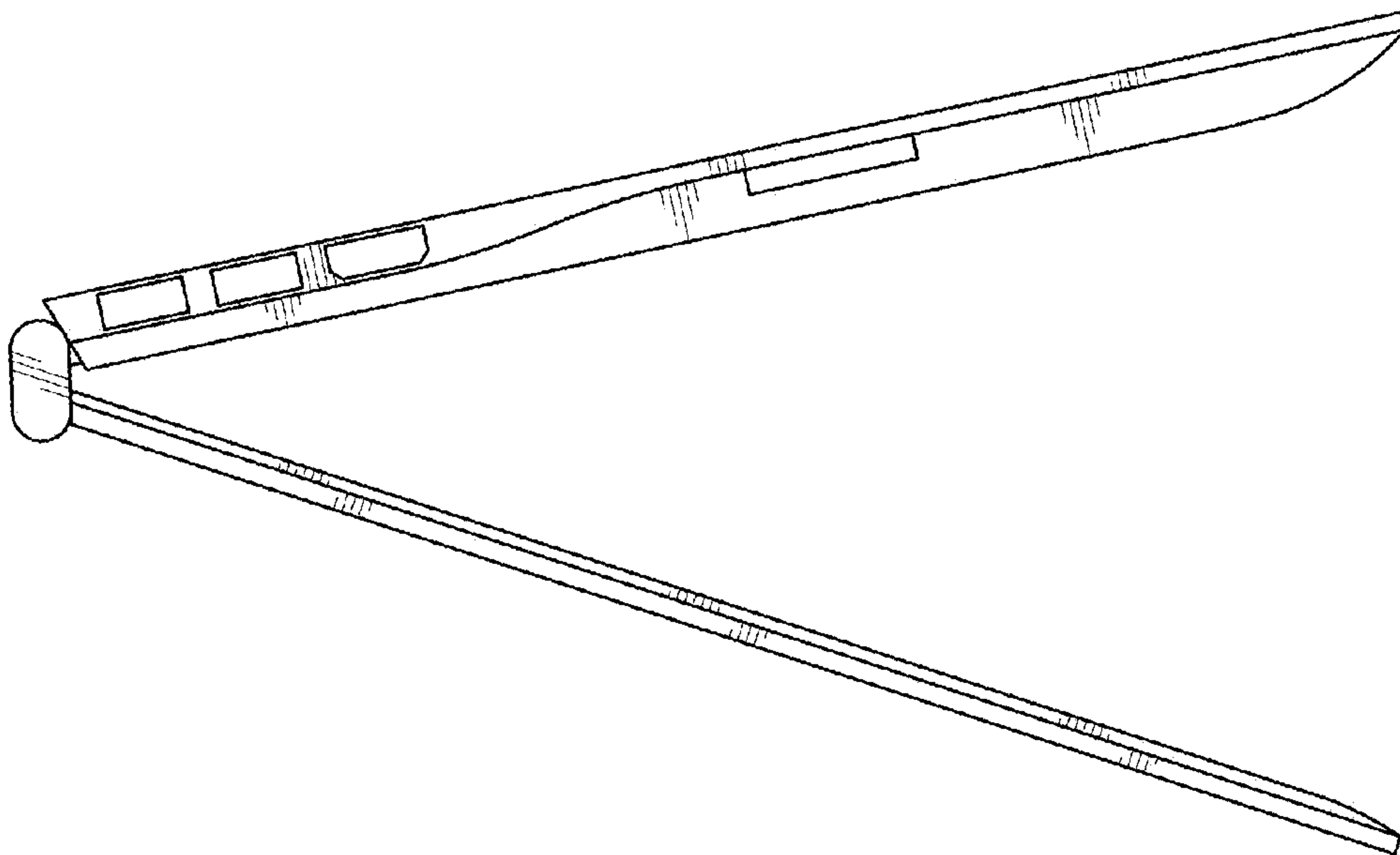


FIG. 9

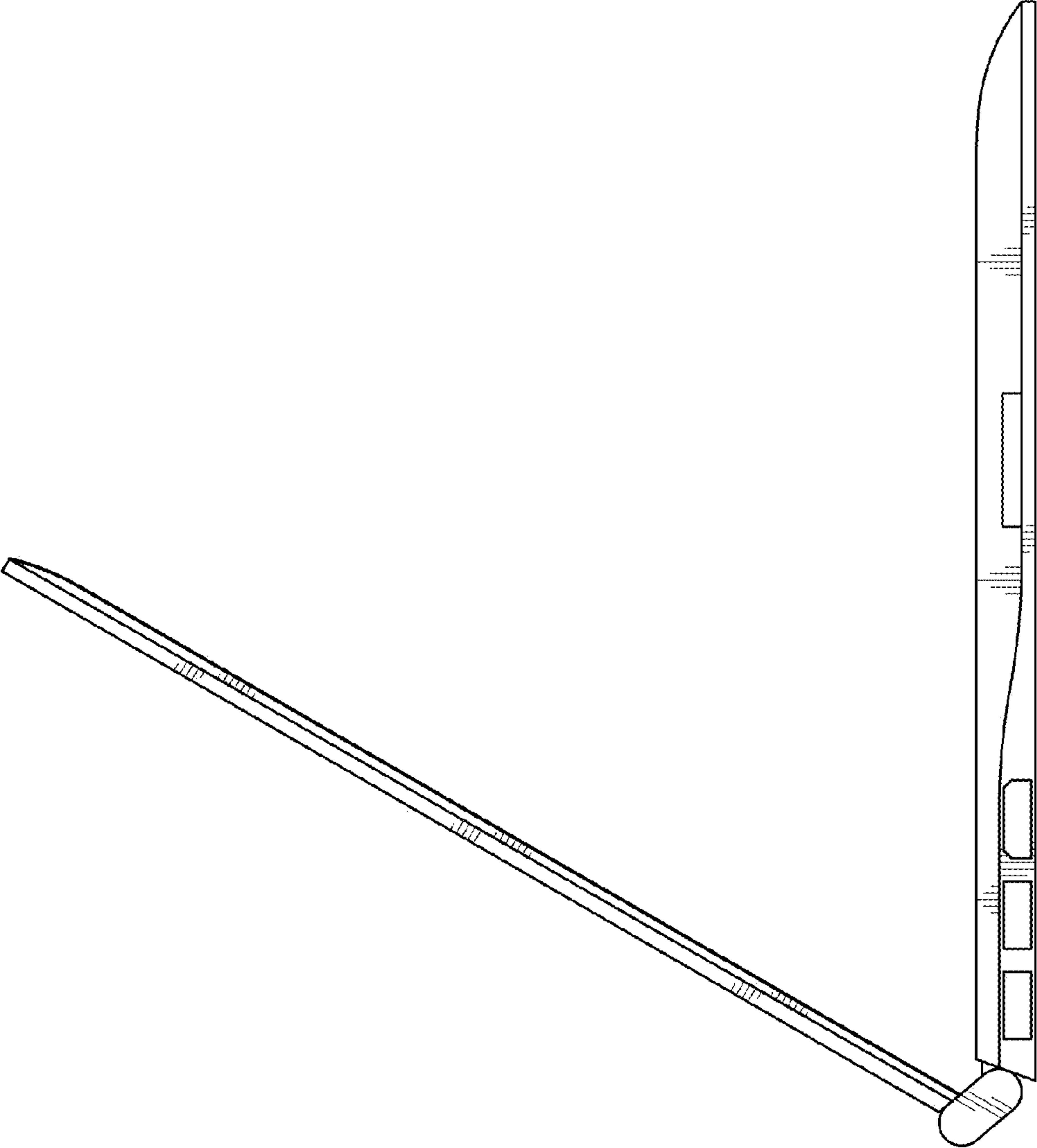


FIG.10