

US00D696243S

(12) **United States Design Patent**
Chen et al.

(10) **Patent No.:** **US D696,243 S**

(45) **Date of Patent:** **** Dec. 24, 2013**

(54) **EMBEDDED COMPUTER**

(71) Applicant: **Hon Hai Precision Industry Co., Ltd.**,
New Taipei (TW)

(72) Inventors: **Yun-Lung Chen**, New Taipei (TW);
Tian Zhang, Wuhan (CN)

(73) Assignee: **Hon Hai Precision Industry Co., Ltd.**,
New Taipei (TW)

(**) Term: **14 Years**

(21) Appl. No.: **29/440,616**

(22) Filed: **Dec. 21, 2012**

(51) **LOC (9) Cl.** **14-02**

(52) **U.S. Cl.**
USPC **D14/314**

(58) **Field of Classification Search**
USPC D14/300, 301, 308, 314, 348, 349-356;
D13/162, 184, 199; 312/223.1-223.2;
360/99.01-99.12; 369/34.01, 36.01;
361/679.01, 679.6, 679.22
See application file for complete search history.

(56) **References Cited**

U.S. PATENT DOCUMENTS

4,652,969 A * 3/1987 Stegenga 361/694
D346,607 S * 5/1994 Bhargava et al. D14/242

D368,258 S * 3/1996 Ojeda D14/368
D428,006 S * 7/2000 Sagues et al. D14/356
D428,885 S * 8/2000 Masuda et al. D14/348
D428,886 S * 8/2000 Hu D14/348
D641,019 S * 7/2011 Chen et al. D14/356
D654,496 S * 2/2012 Chen et al. D14/314
D658,647 S * 5/2012 Tsai D14/356

* cited by examiner

Primary Examiner — Freda S Nunn

(74) *Attorney, Agent, or Firm* — Altis & Wispro Law Group,
Inc.

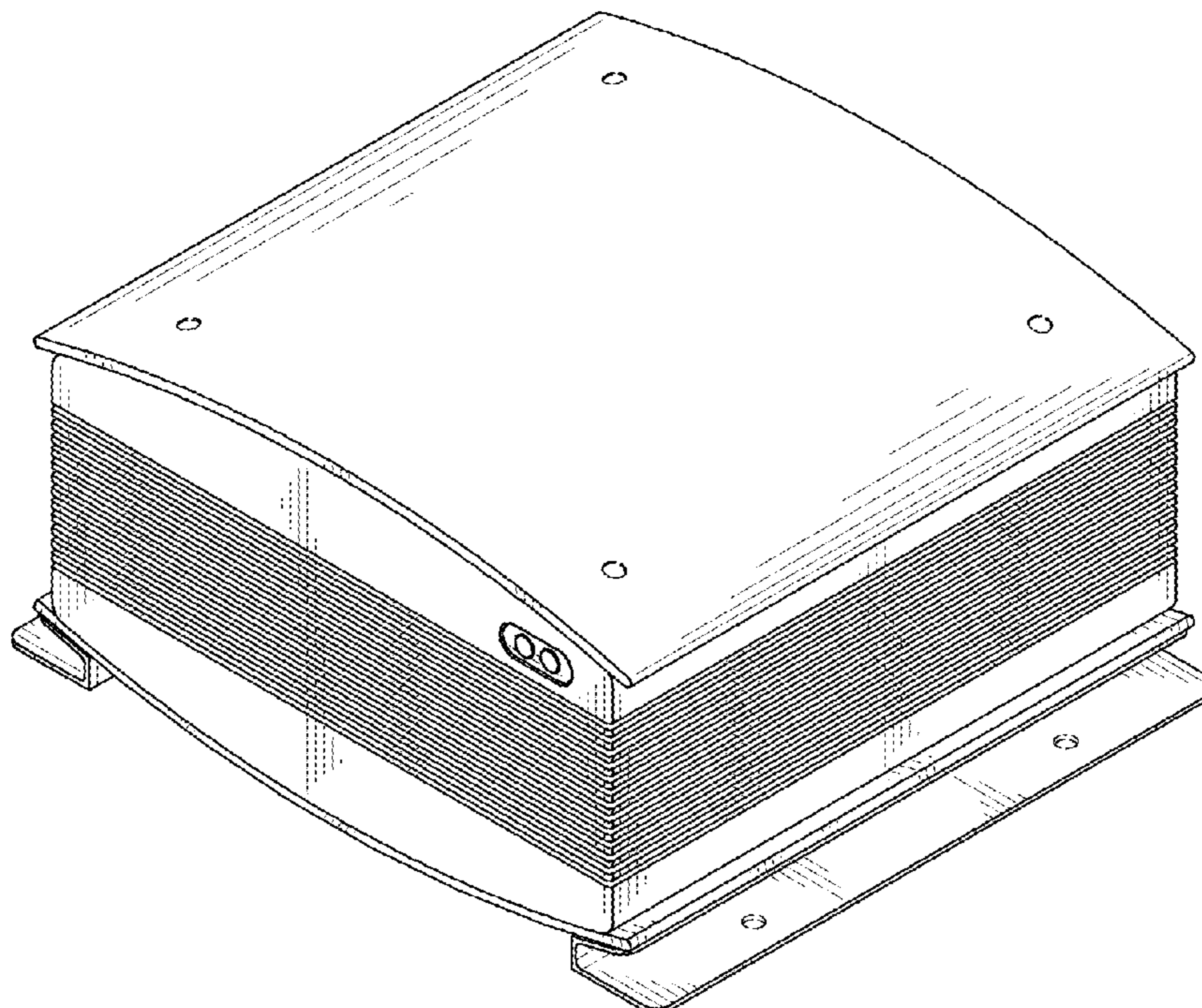
(57) **CLAIM**

The ornamental design for an embedded computer, as shown
and described.

DESCRIPTION

FIG. 1 is a perspective view of an embedded computer;
FIG. 2 is a front elevational view thereof;
FIG. 3 is a rear elevational view thereof;
FIG. 4 is a left side elevational view thereof;
FIG. 5 is a right side elevational view thereof;
FIG. 6 is a top plan view thereof; and,
FIG. 7 is a bottom plan view thereof.
The broken lines shown in the figures form no part of the
claimed design and the shade lines in the figures show contour
and not surface ornamentation.

1 Claim, 7 Drawing Sheets



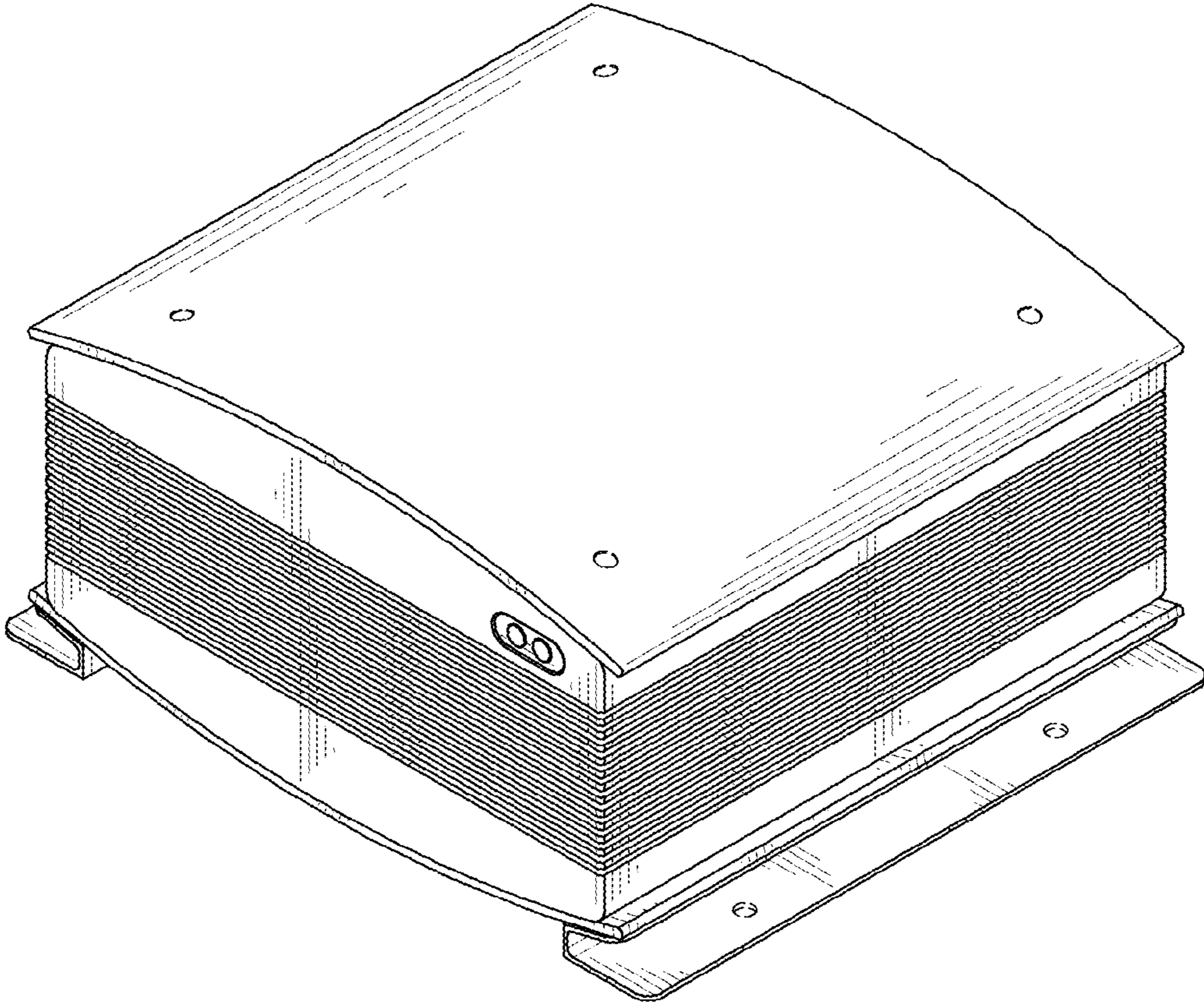


FIG. 1

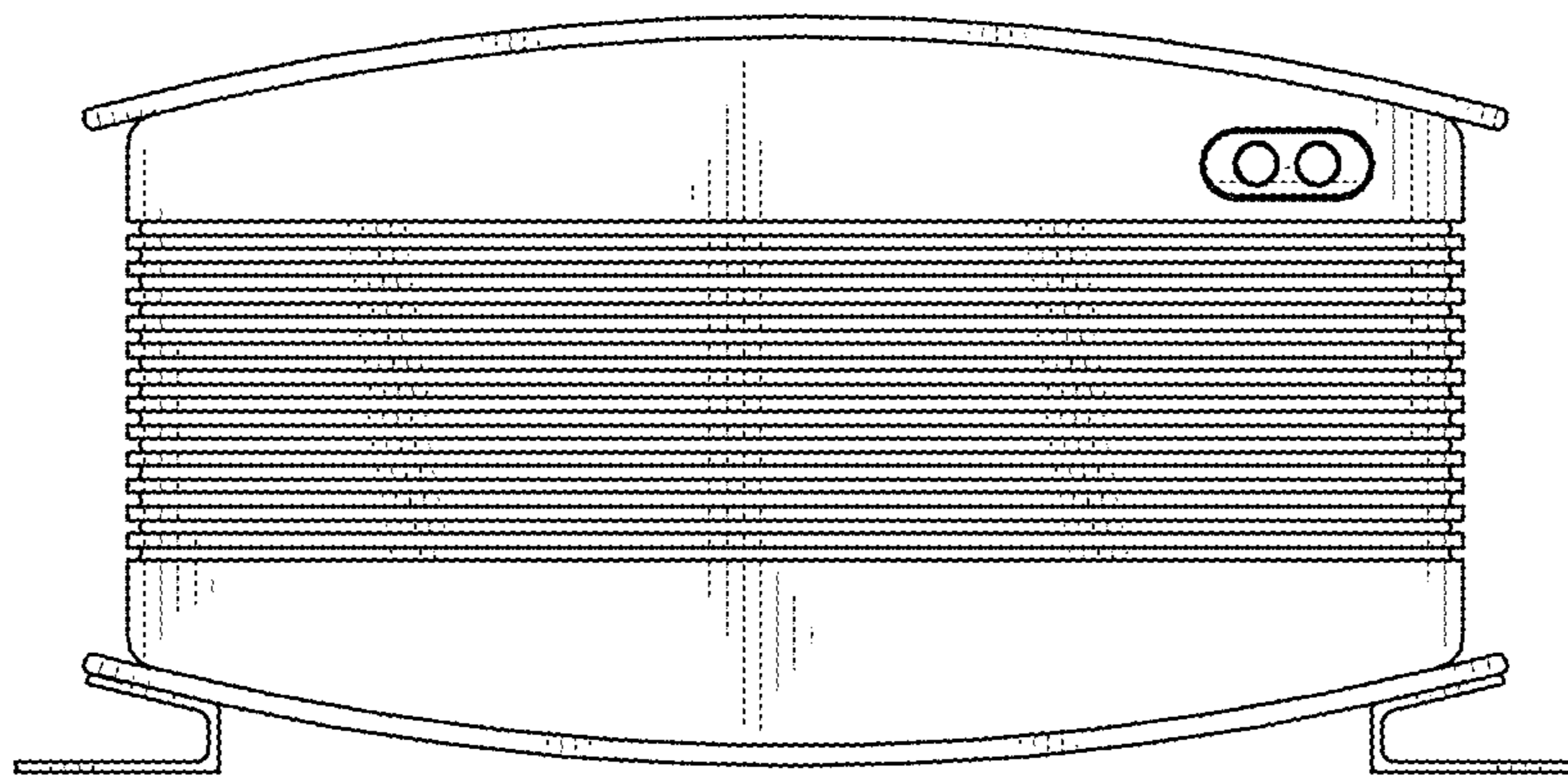


FIG. 2

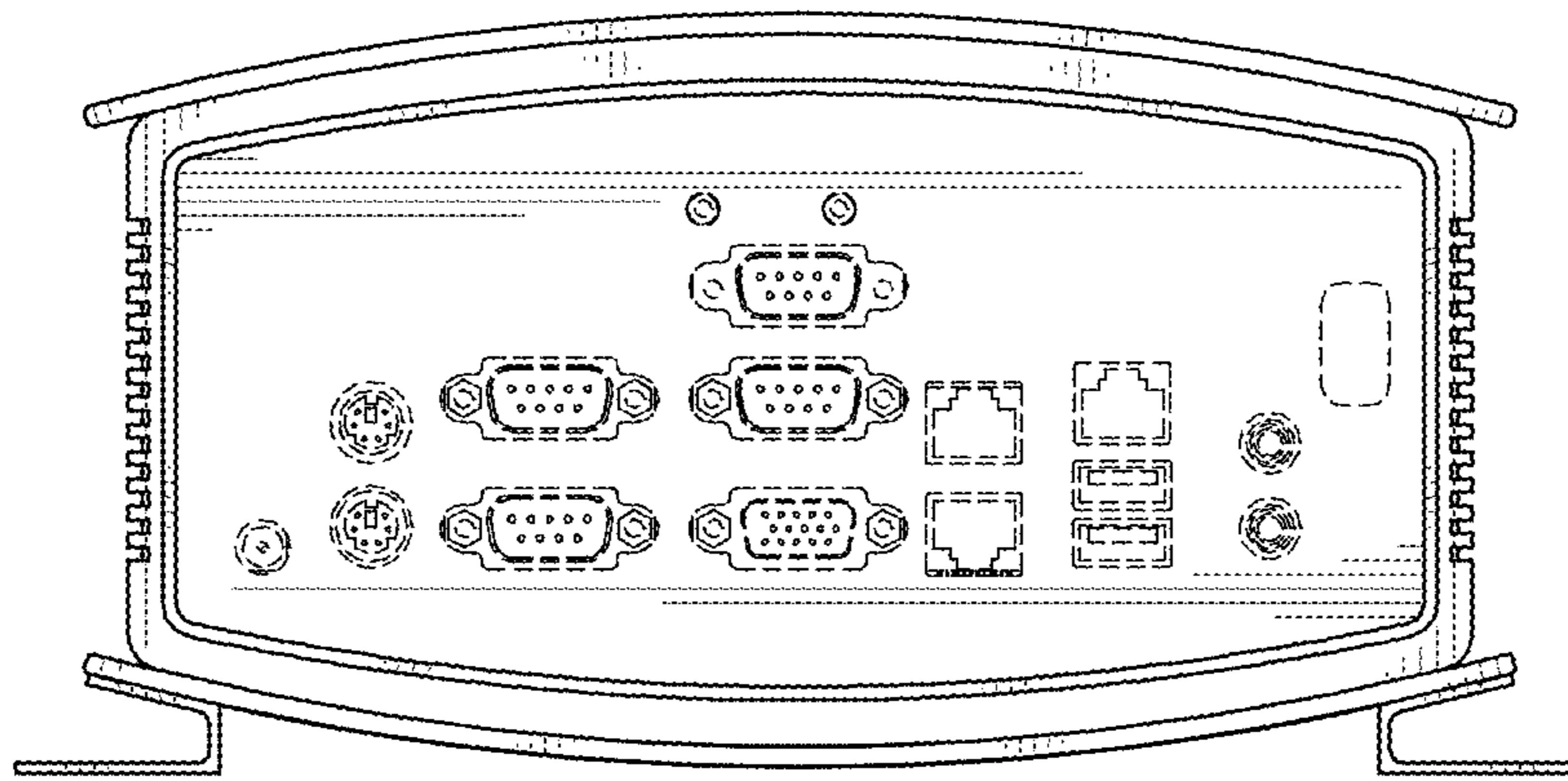


FIG. 3

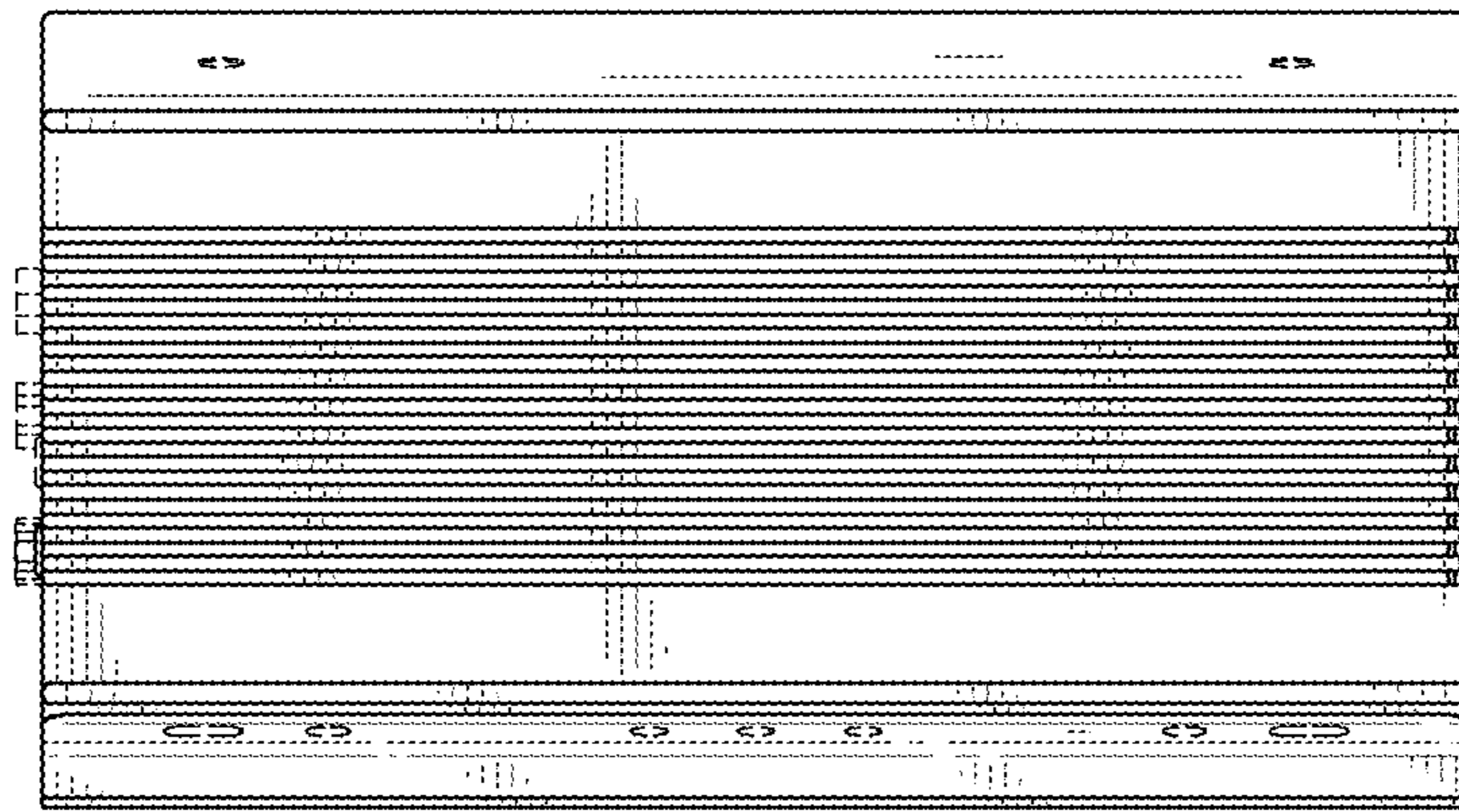


FIG. 4

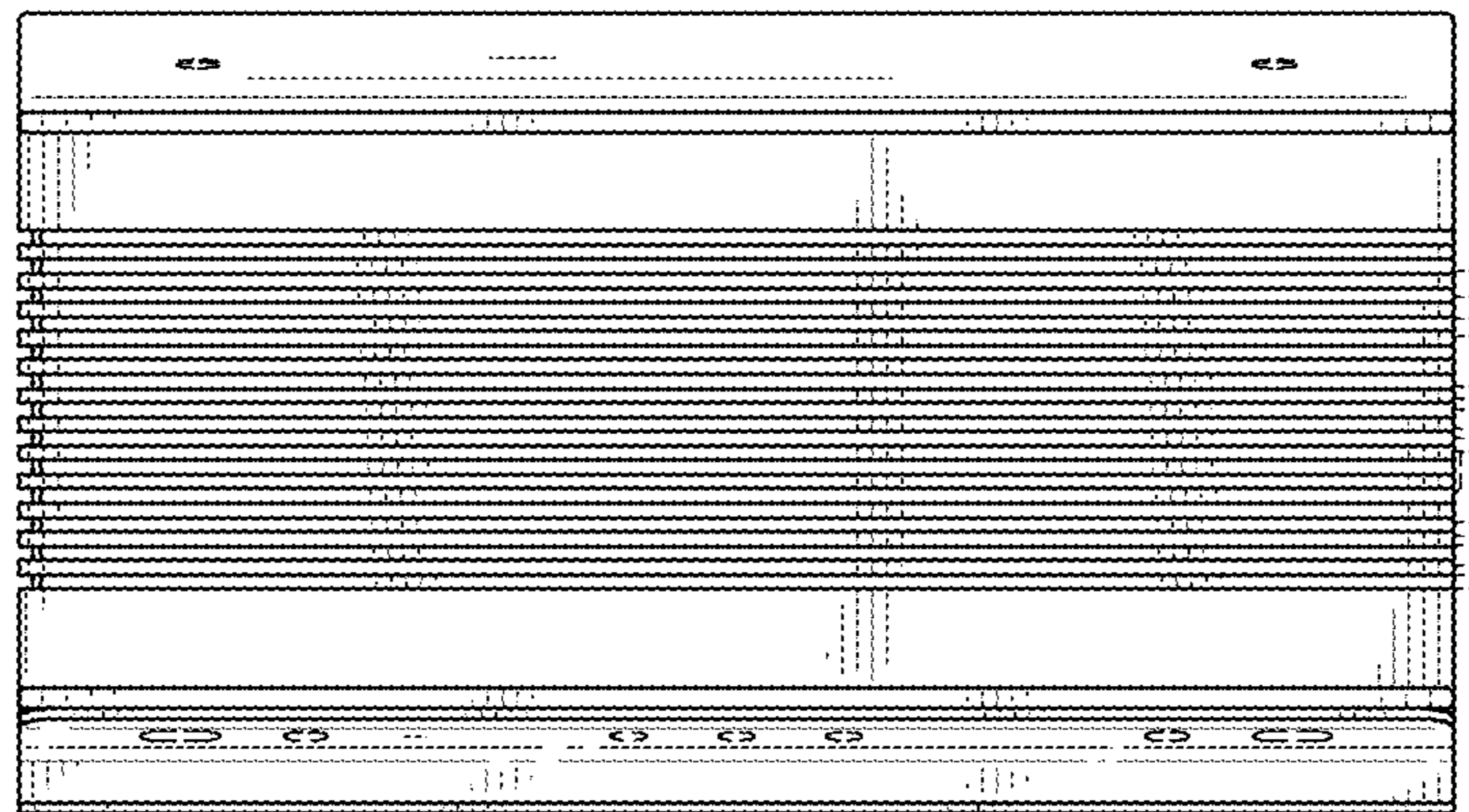


FIG. 5

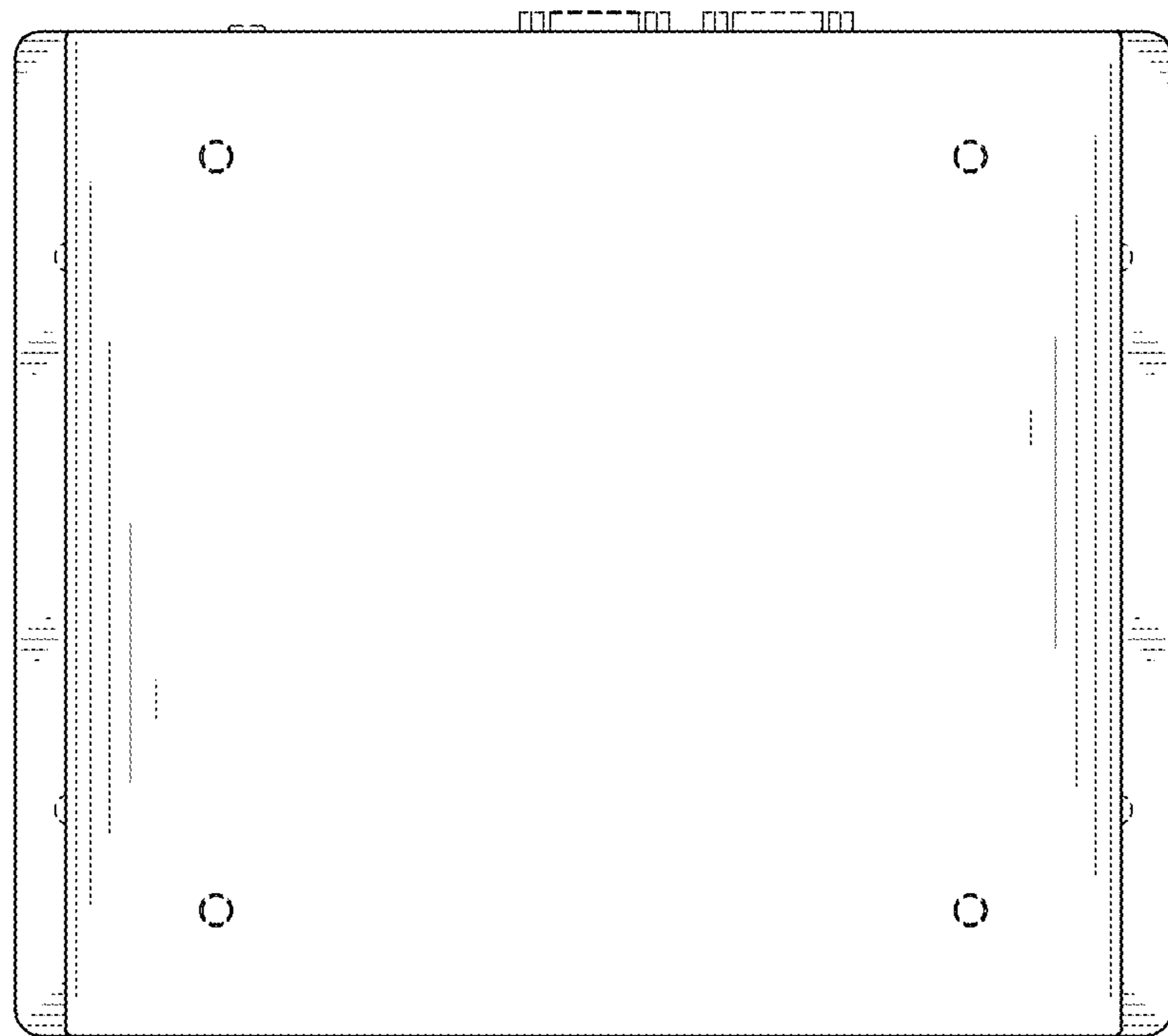


FIG. 6

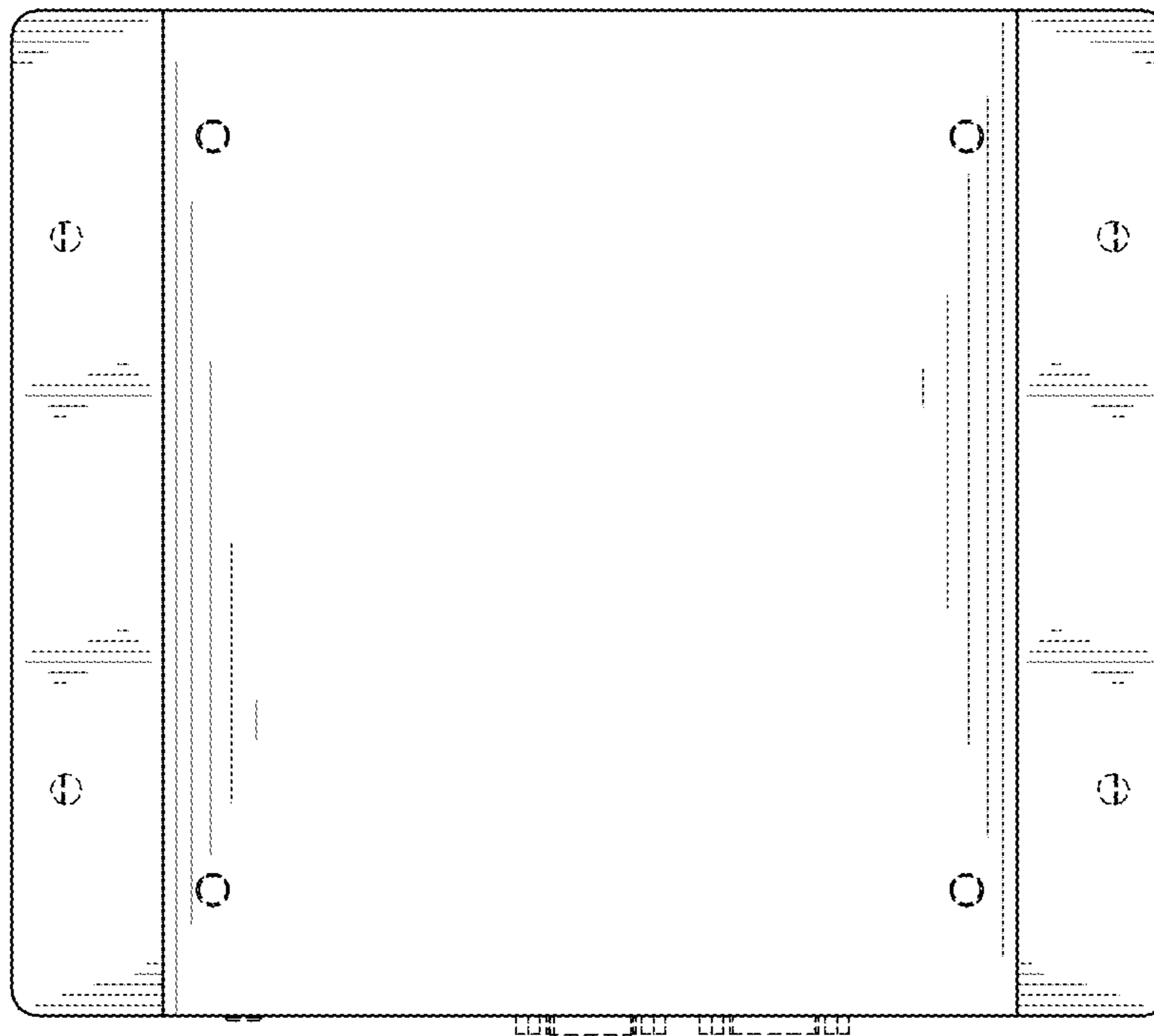


FIG. 7