



US00D696242S

(12) **United States Design Patent**
Chen et al.

(10) **Patent No.:** **US D696,242 S**

(45) **Date of Patent:** **** Dec. 24, 2013**

(54) **EMBEDDED COMPUTER**

(56) **References Cited**

(71) Applicant: **Hon Hai Precision Industry Co., Ltd.**,
New Taipei (TW)

U.S. PATENT DOCUMENTS

(72) Inventors: **Yun-Lung Chen**, New Taipei (TW);
Chang-Ru Xu, Wuhan (CN)

4,652,969	A	*	3/1987	Stegenga	361/694
D428,228	S	*	7/2000	Saltet	D32/70
D431,241	S	*	9/2000	Armstrong et al.	D14/348
D549,701	S	*	8/2007	Seo et al.	D14/348
D647,087	S	*	10/2011	Chen et al.	D14/348

(73) Assignee: **Hon Hai Precision Industry Co., Ltd.**,
New Taipei (TW)

* cited by examiner

(**) Term: **14 Years**

Primary Examiner — Freda S Nunn

(74) *Attorney, Agent, or Firm* — Altis & Wispro Law Group,
Inc.

(21) Appl. No.: **29/439,788**

(57) **CLAIM**

The ornamental design for an embedded computer, as shown
and described.

(22) Filed: **Dec. 14, 2012**

DESCRIPTION

(30) **Foreign Application Priority Data**

Nov. 21, 2012 (CN) 2012 3 0567479

(51) **LOC (9) Cl.** **14-02**

(52) **U.S. Cl.**
USPC **D14/314**

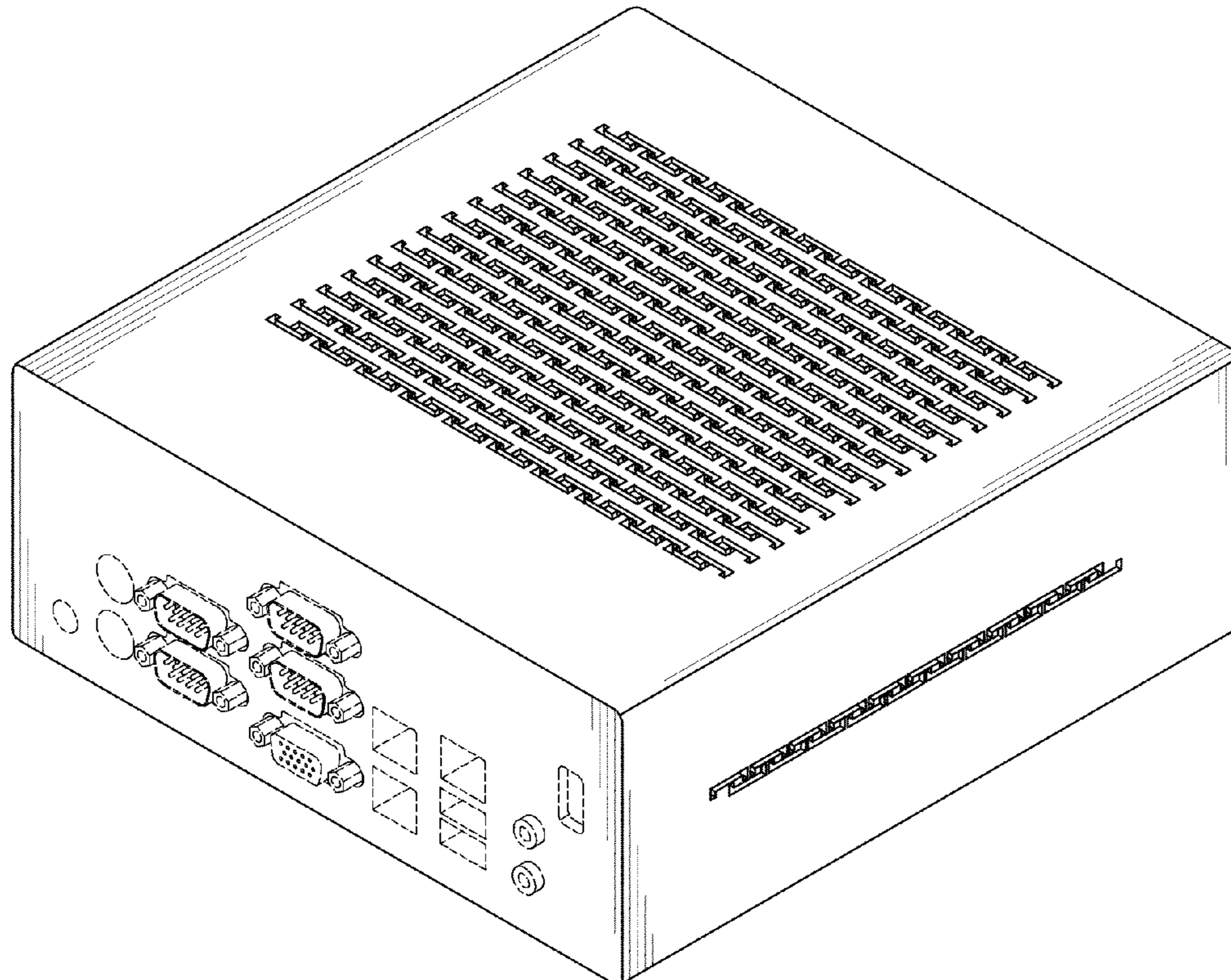
(58) **Field of Classification Search**
USPC D14/300, 301, 308, 314, 348, 349–356;
D13/162, 184, 199; 312/223.1–223.2;
360/99.01–99.12; 369/34.01, 36.01;
361/679.01, 679.6, 679.22

FIG. 1 is a perspective view of an embedded computer;
FIG. 2 is a front elevational view thereof;
FIG. 3 is a rear elevational view thereof;
FIG. 4 is a left side elevational view thereof;
FIG. 5 is a right side elevational view thereof;
FIG. 6 is a top plan view thereof; and,
FIG. 7 is a bottom plan view thereof.

The broken lines shown in the figures form no part of the
claimed design and the shade lines in the figures show contour
and not surface ornamentation.

See application file for complete search history.

1 Claim, 7 Drawing Sheets



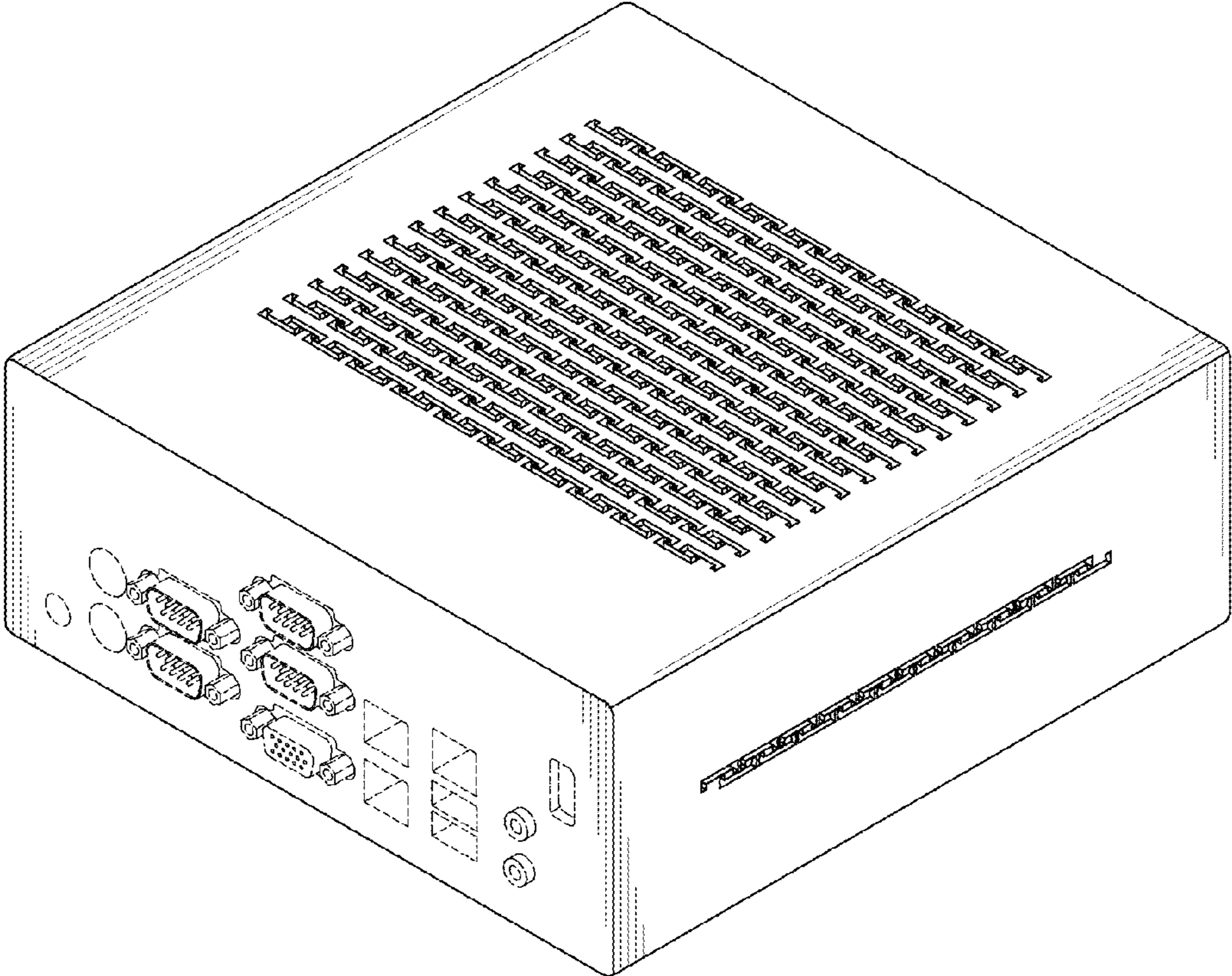


FIG. 1

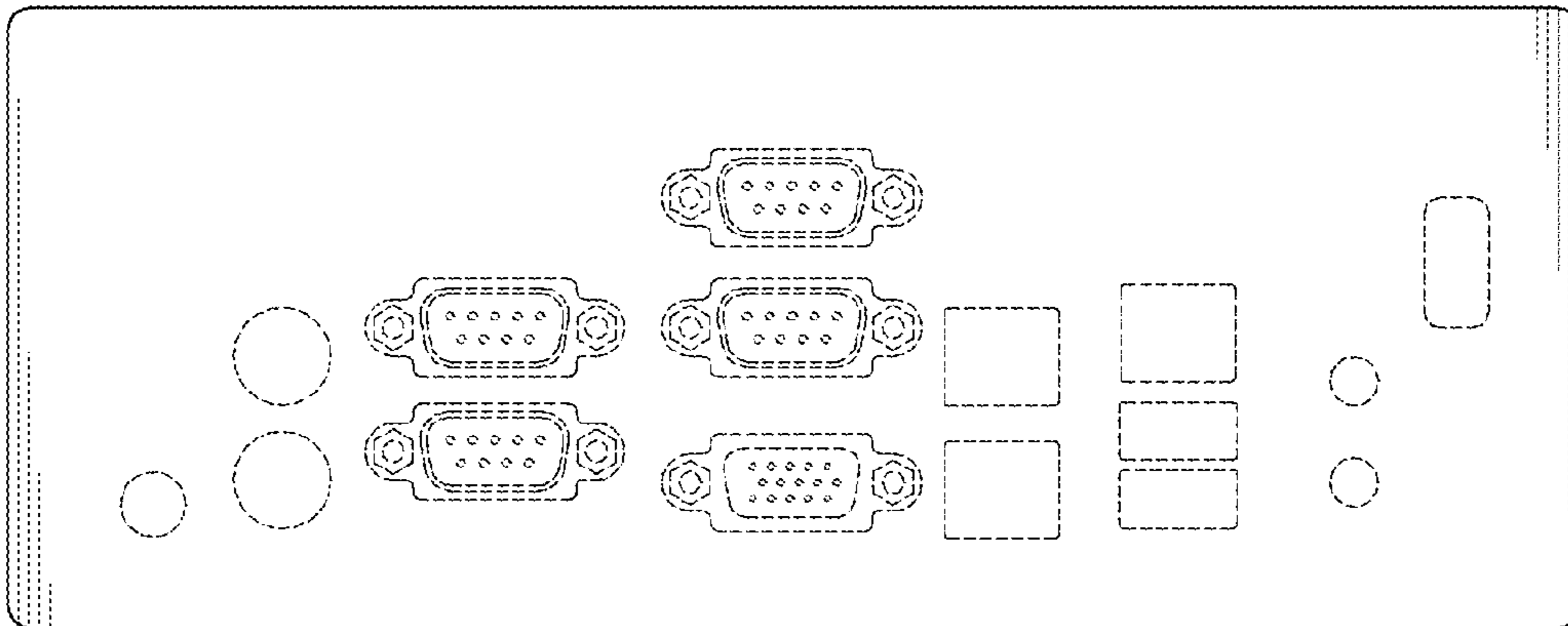


FIG. 2

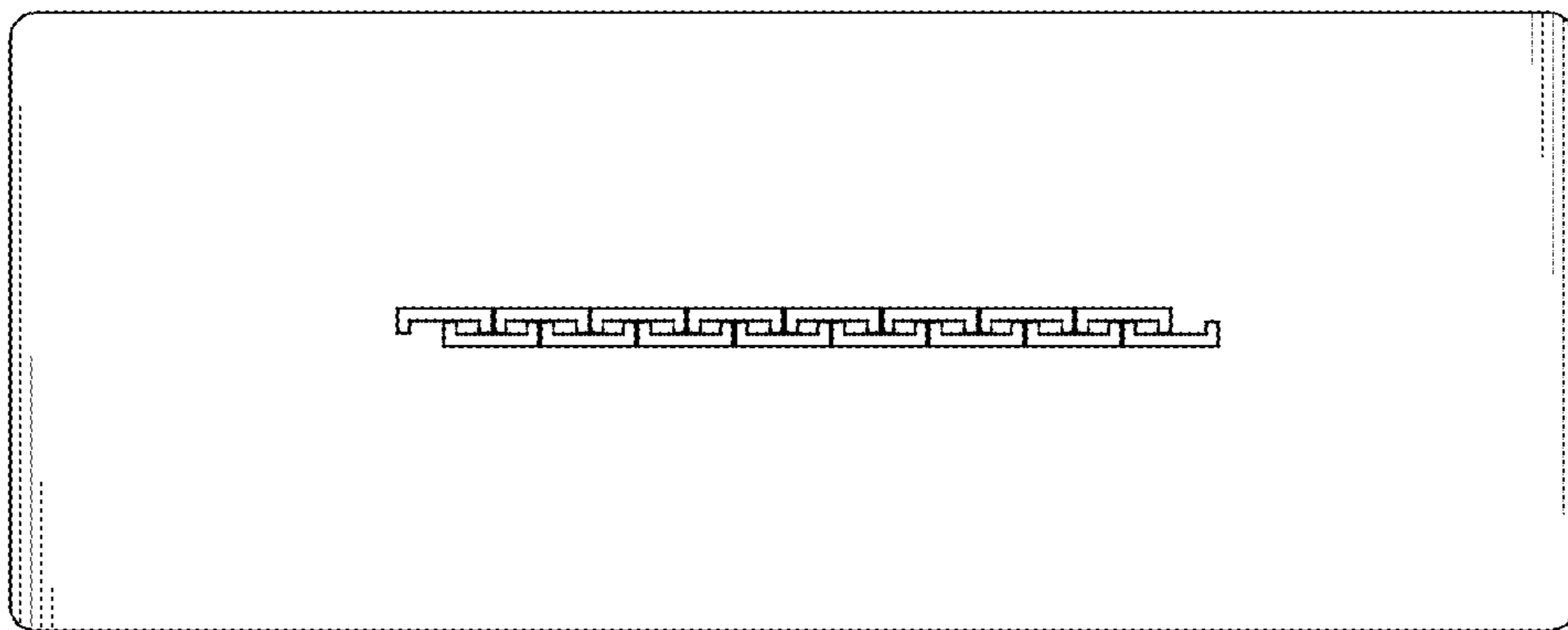


FIG. 3

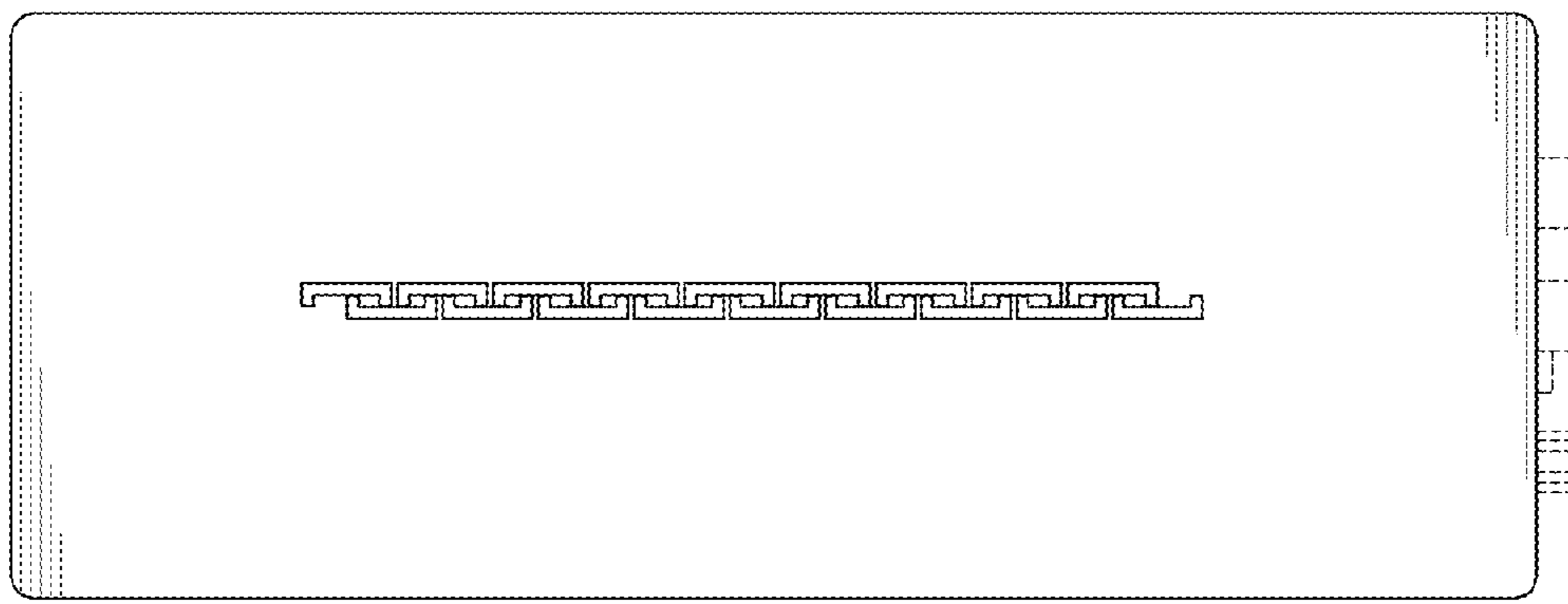


FIG. 4

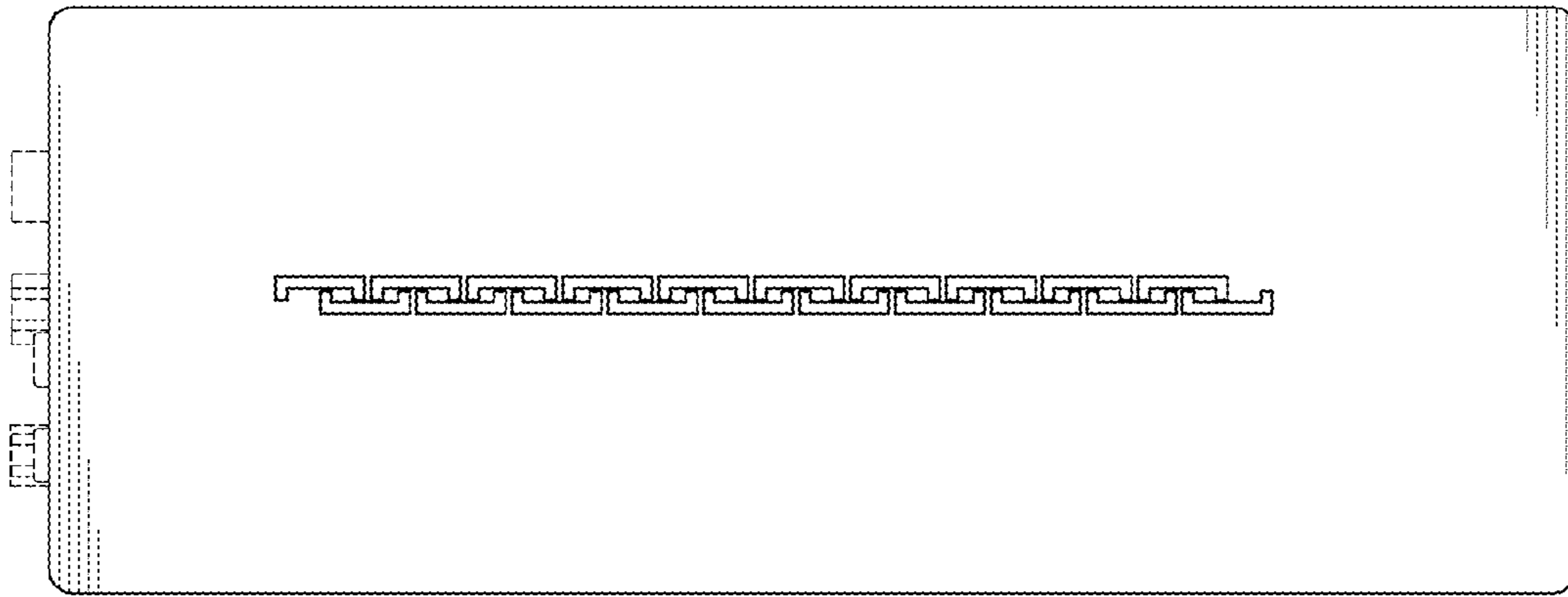


FIG. 5

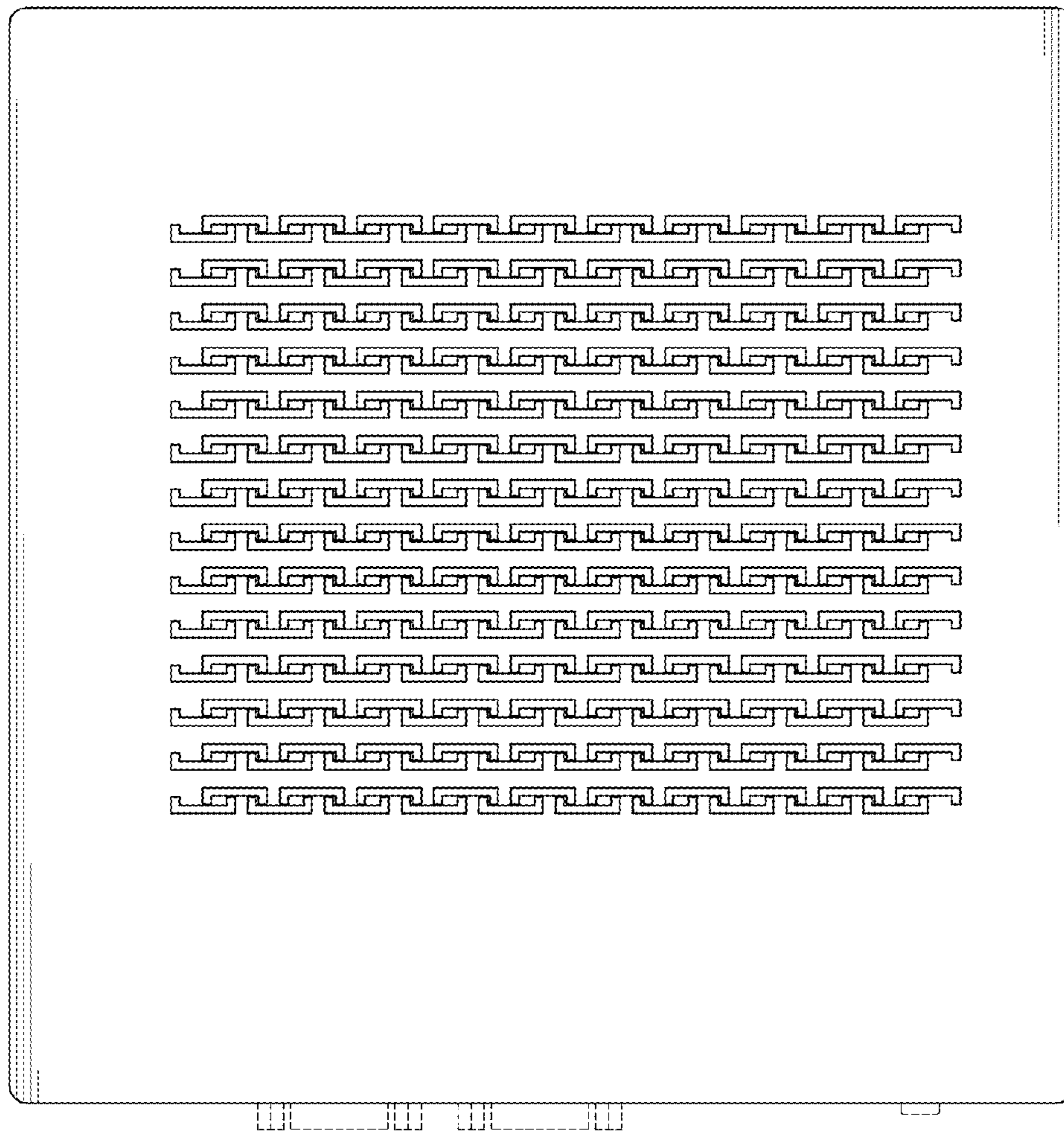


FIG. 6

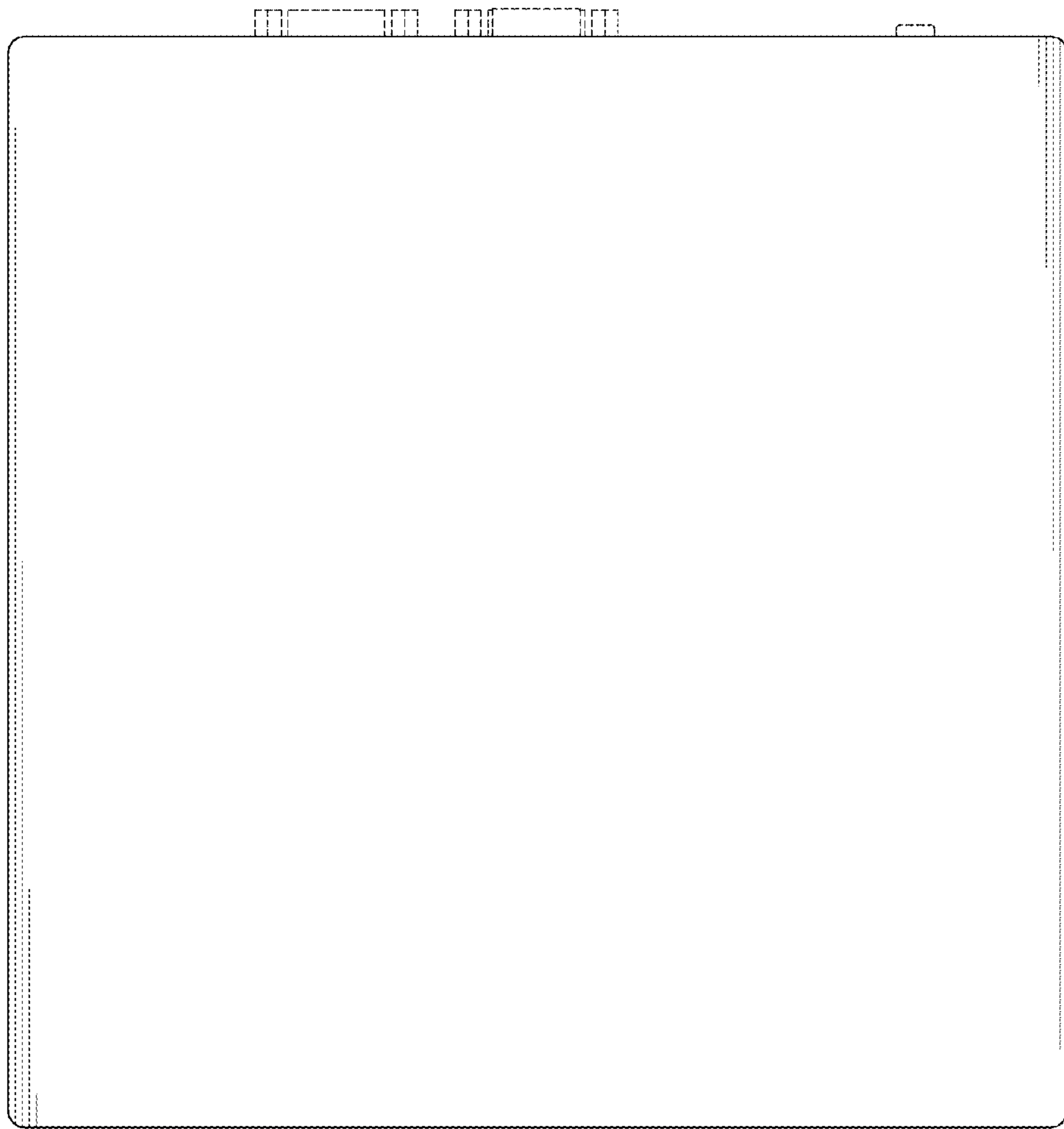


FIG. 7