



US00D696241S

(12) **United States Design Patent**
Paugh et al.

(10) **Patent No.:** **US D696,241 S**
(45) **Date of Patent:** **** Dec. 24, 2013**

- (54) **PHONE RETRACTOR HOLSTER**
- (71) Applicant: **West Coast Chain Mfg. Co.**, Ontario, CA (US)
- (72) Inventors: **Boake Paugh**, Rancho Cucamonga, CA (US); **Joshua Buessler**, Seattle, WA (US)
- (73) Assignee: **West Coast Chain Mfg. Co.**, Ontario, CA (US)
- (**) Term: **14 Years**
- (21) Appl. No.: **29/441,345**
- (22) Filed: **Jan. 3, 2013**

Related U.S. Application Data

- (63) Continuation of application No. 13/725,744, filed on Dec. 21, 2012.
- (51) **LOC (9) Cl.** **14-03**
- (52) **U.S. Cl.**
USPC **D14/253**
- (58) **Field of Classification Search**
USPC D14/140, 140.8, 142, 168, 204, 209.1, D14/217, 221, 243-256, 434, 447; D3/215, D3/218, 269; D2/861; D6/300, 310, 467, D6/553-574; 292/342, 343; D19/90; D12/411, 415; D13/108; 379/446, 455
See application file for complete search history.

References Cited

U.S. PATENT DOCUMENTS

- D359,616 S * 6/1995 Ishibashi et al. D3/218
- D369,465 S * 5/1996 Scheid et al. D3/218
- D549,709 S * 8/2007 Richter D14/447
- D566,590 S * 4/2008 Stevens et al. D10/74
- D592,188 S * 5/2009 Huang D14/217
- D614,613 S * 4/2010 Kim et al. D14/253

- D621,180 S * 8/2010 Barabas et al. D6/466
- D629,193 S * 12/2010 Liu D3/218
- D634,947 S * 3/2011 Barabas et al. D6/466
- D640,707 S * 6/2011 Yeh D14/447
- D641,610 S * 7/2011 Sedalo D8/354
- D645,033 S * 9/2011 Quong et al. D14/253
- D646,315 S * 10/2011 Orf D16/242
- D650,372 S * 12/2011 Molter D14/239
- D650,774 S * 12/2011 Molter D14/239
- D654,119 S * 2/2012 Lin D21/333
- D654,120 S * 2/2012 Lin D21/333
- D661,482 S * 6/2012 Chang et al. D3/218
- D661,483 S * 6/2012 Weller et al. D3/218
- D669,459 S * 10/2012 Kim D14/253
- D669,481 S * 10/2012 Prescott et al. D14/447

(Continued)

Primary Examiner — Susan Bennett Hattan

Assistant Examiner — Janice Hallmark

(74) *Attorney, Agent, or Firm* — Christie, Parker & Hale, LLP

(57) **CLAIM**

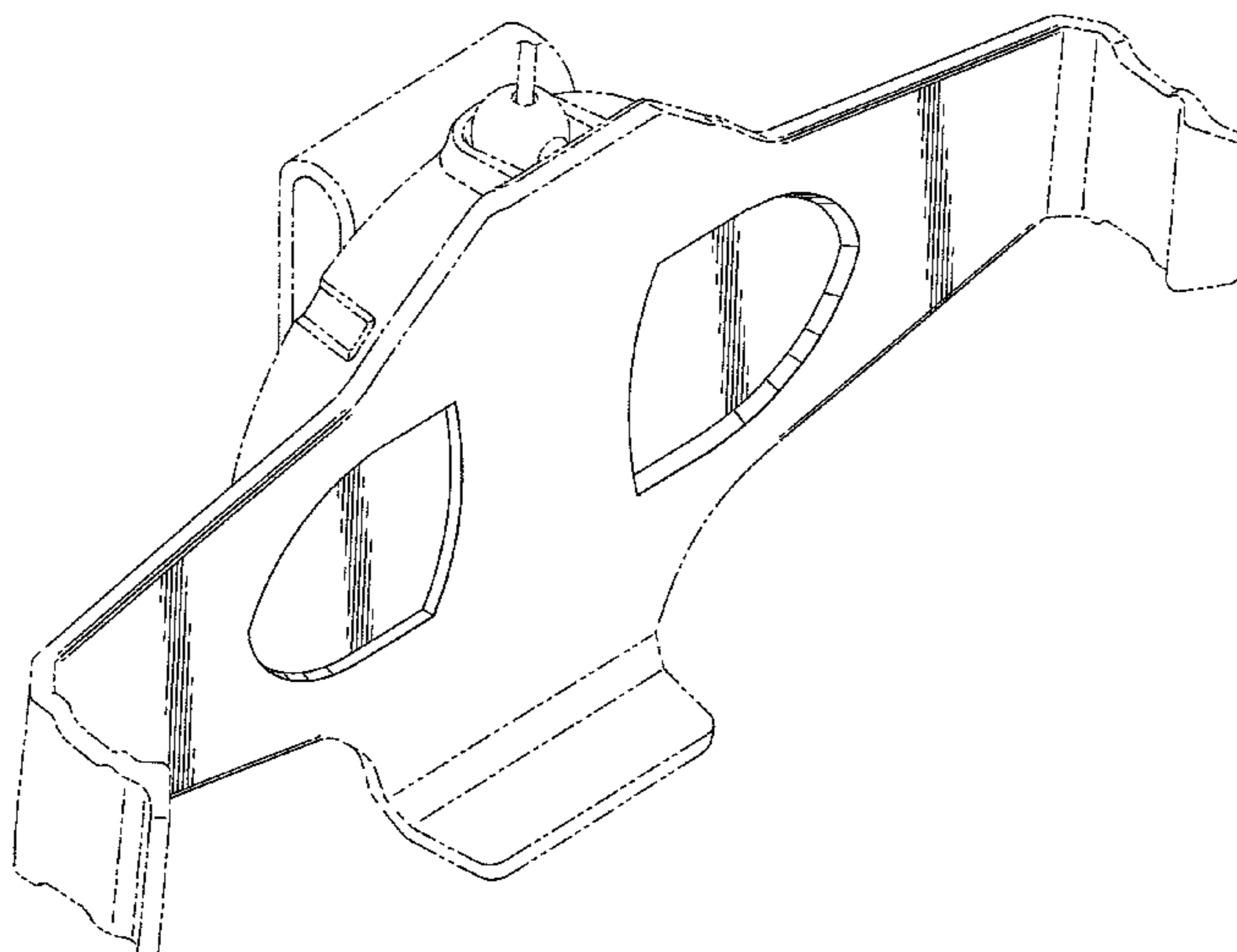
The ornamental design for a phone retractor holster, as shown and described.

DESCRIPTION

FIG. 1 is a rear perspective view;
 FIG. 2 is a front perspective view;
 FIG. 3 is a rear perspective view;
 FIG. 4 is a front perspective view;
 FIG. 5 is a back view;
 FIG. 6 is a front view;
 FIG. 7 is a top view;
 FIG. 8 is a bottom view;
 FIG. 9 is a left side view; and,
 FIG. 10 is a right side view.

The carrying case, shown in broken lines in FIGS. 1 and 2, and all other features shown in broken lines depict environmental subject matter and do not form part of the claimed design.

1 Claim, 8 Drawing Sheets



US D696,241 S

Page 2

(56)

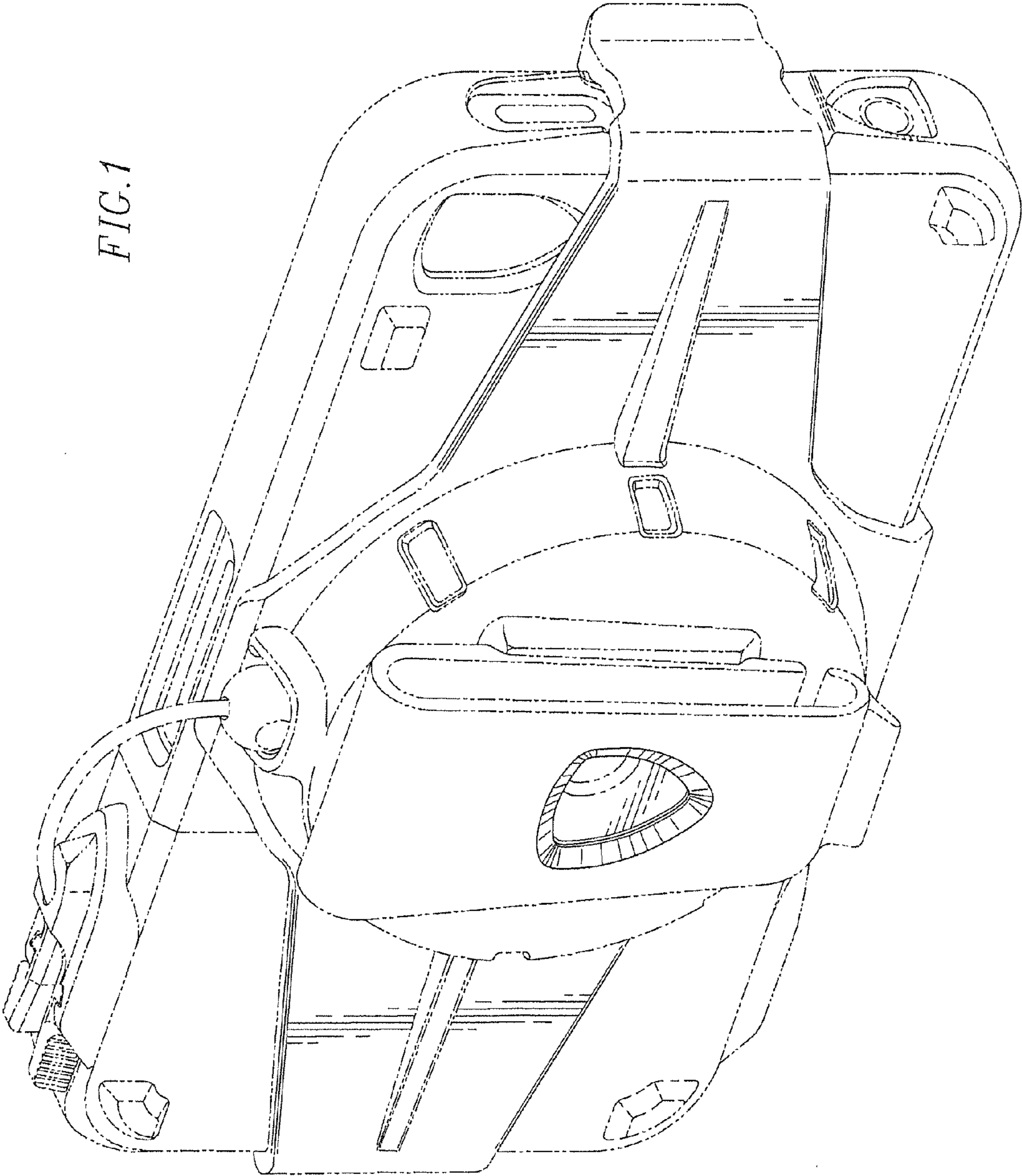
References Cited

U.S. PATENT DOCUMENTS

D674,397 S *	1/2013	Asher	D14/447
D683,955 S *	6/2013	Melanson et al.	D3/218
2012/0170212 A1 *	7/2012	Gallouzi et al.	361/679.56
D669,890 S *	10/2012	Hopkins et al.	D14/251

* cited by examiner

FIG. 1



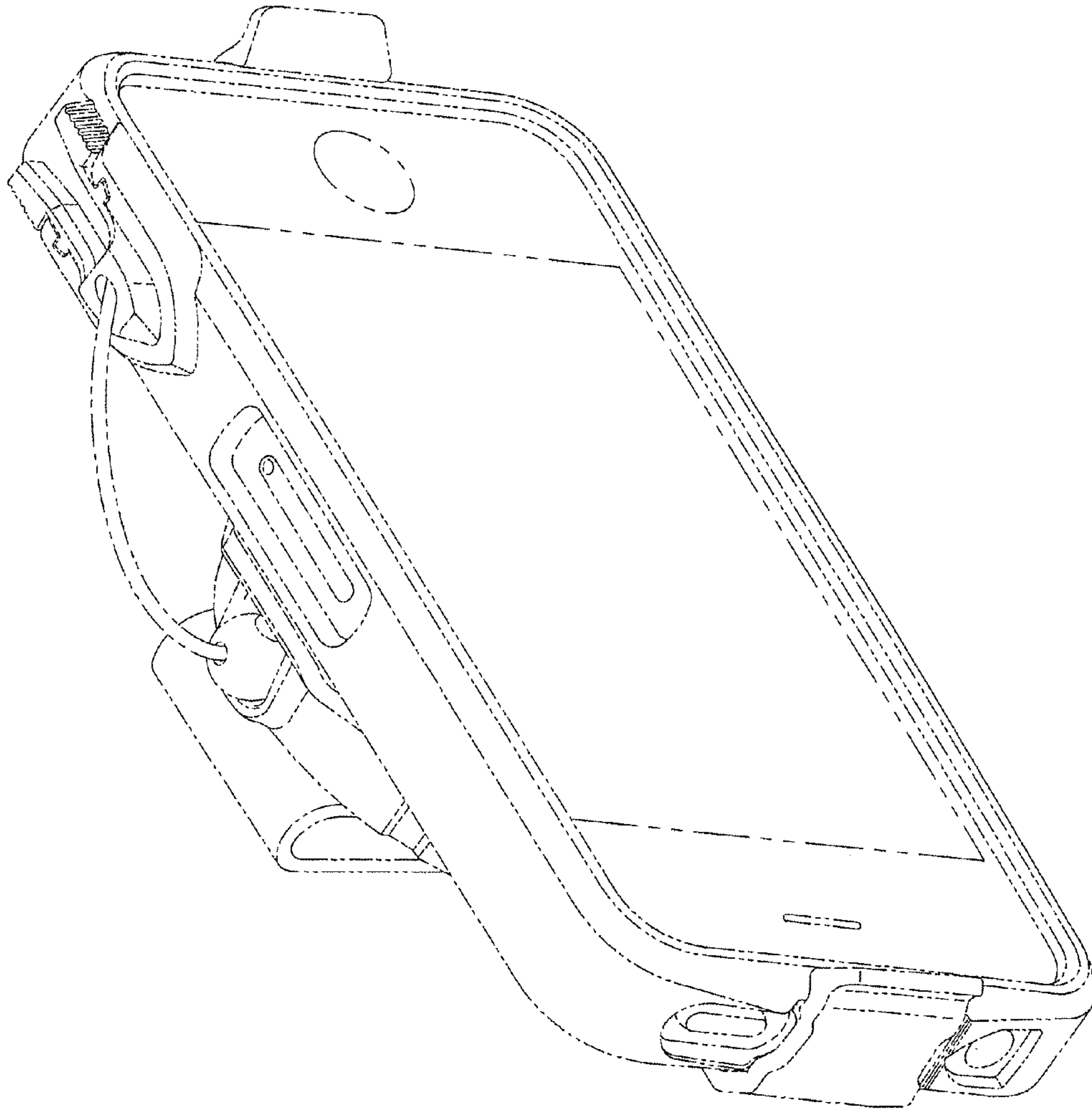
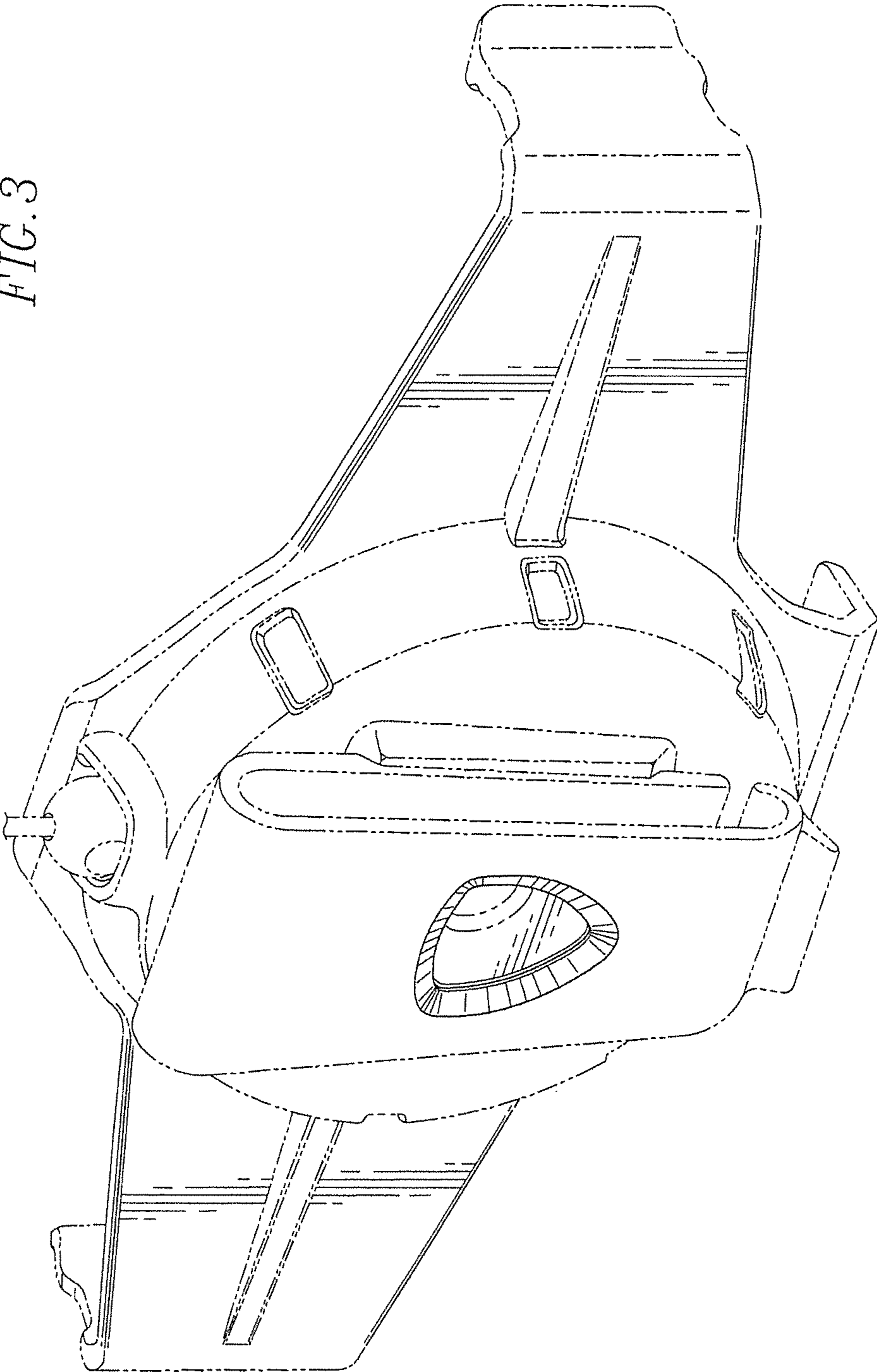


FIG. 2

FIG. 3



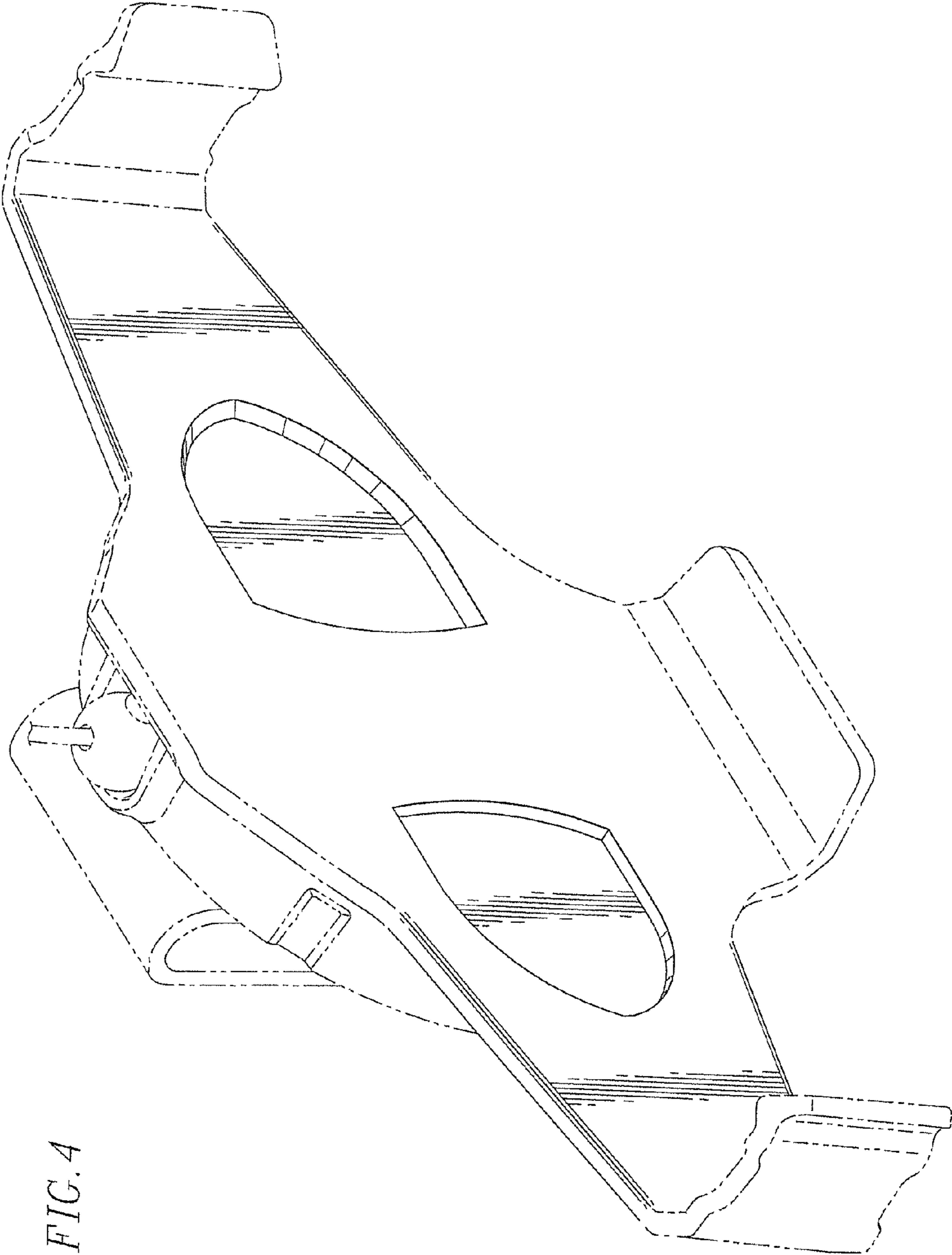


FIG. 4

FIG. 5

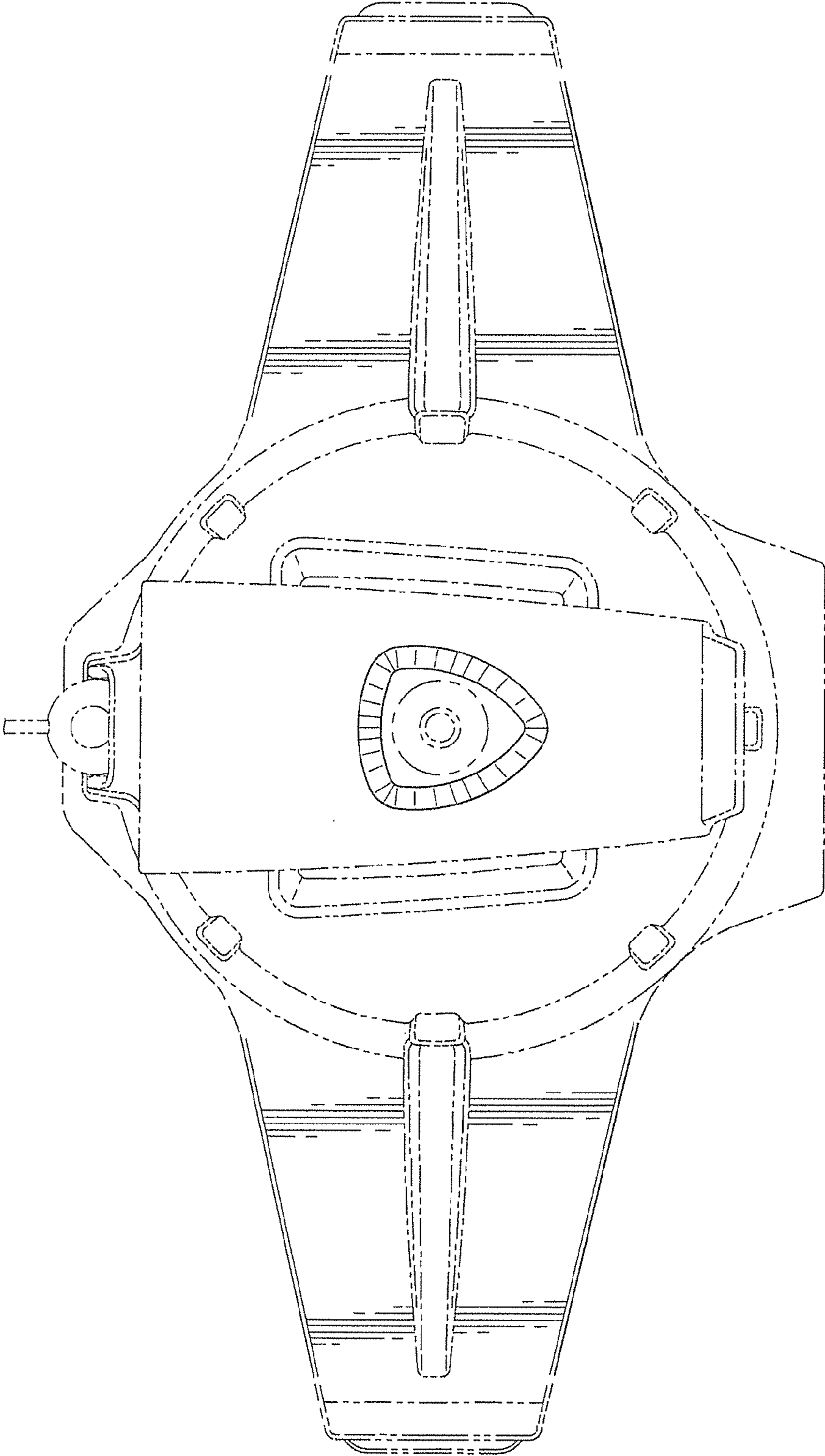


FIG. 6

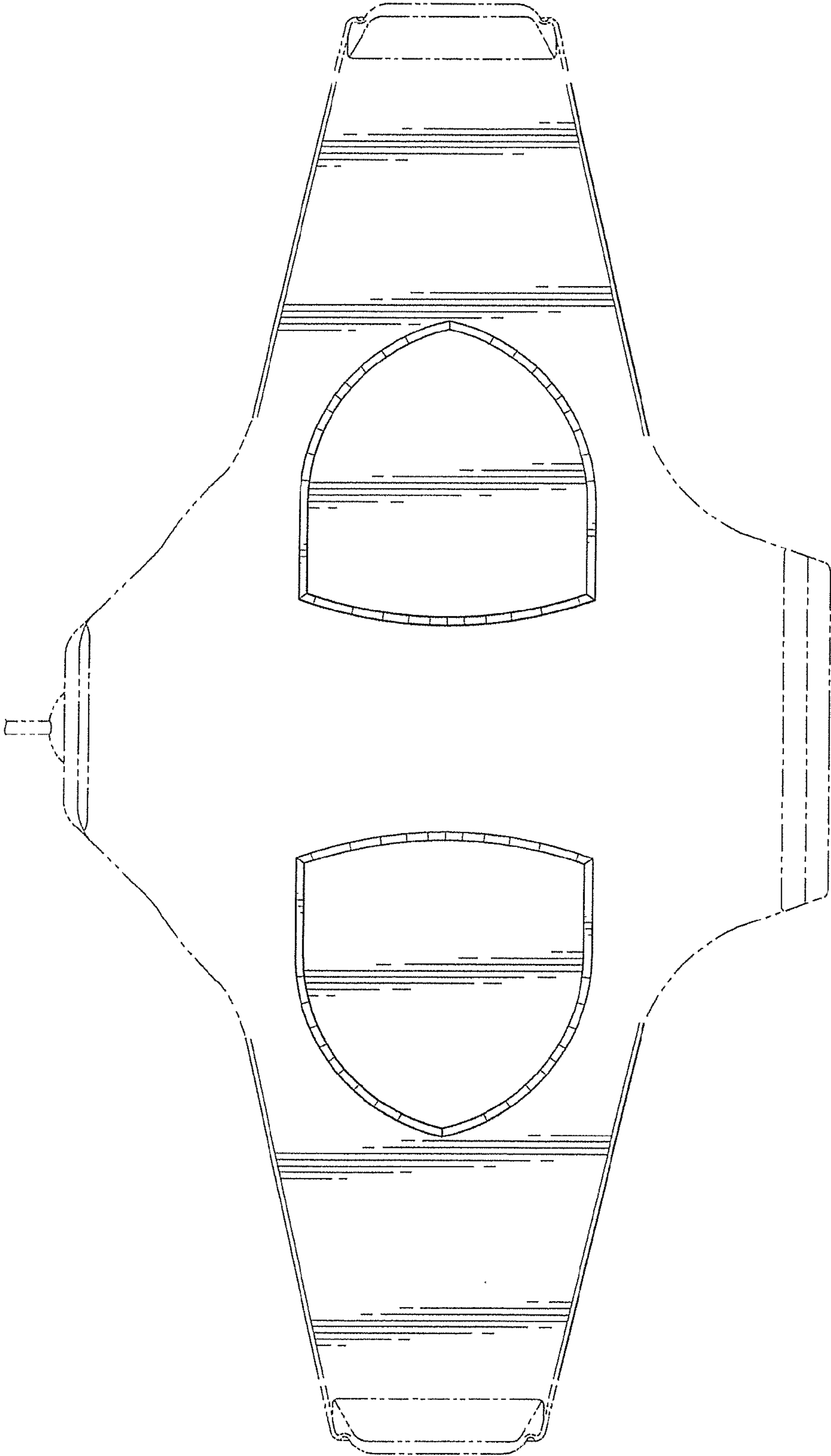


FIG. 7

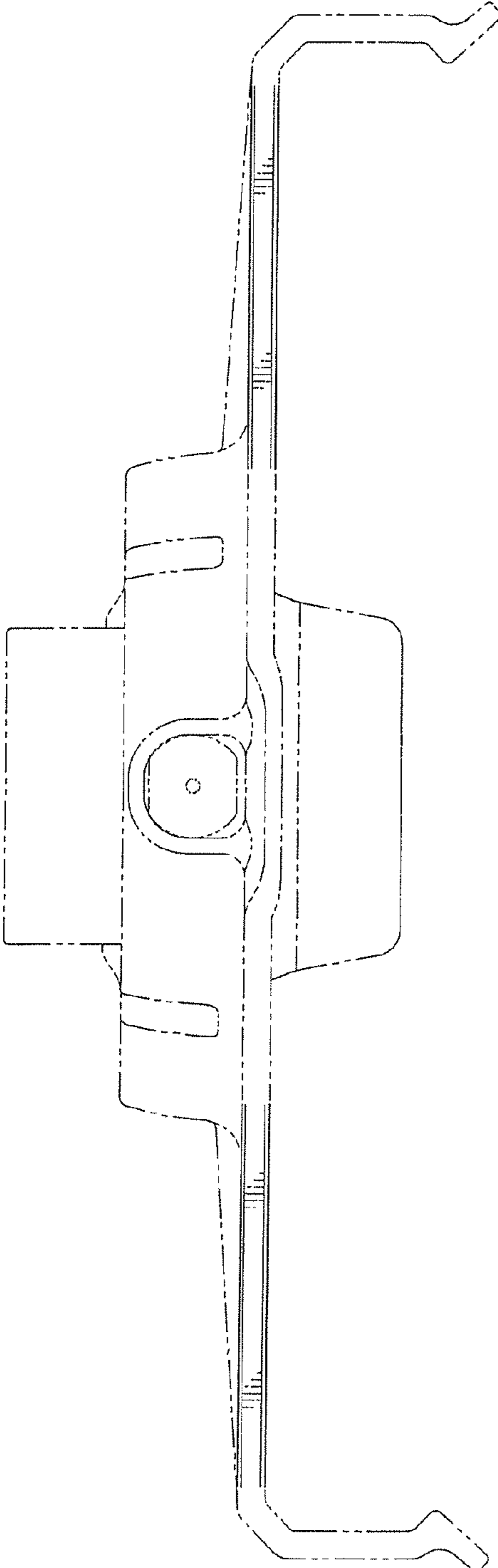


FIG. 8

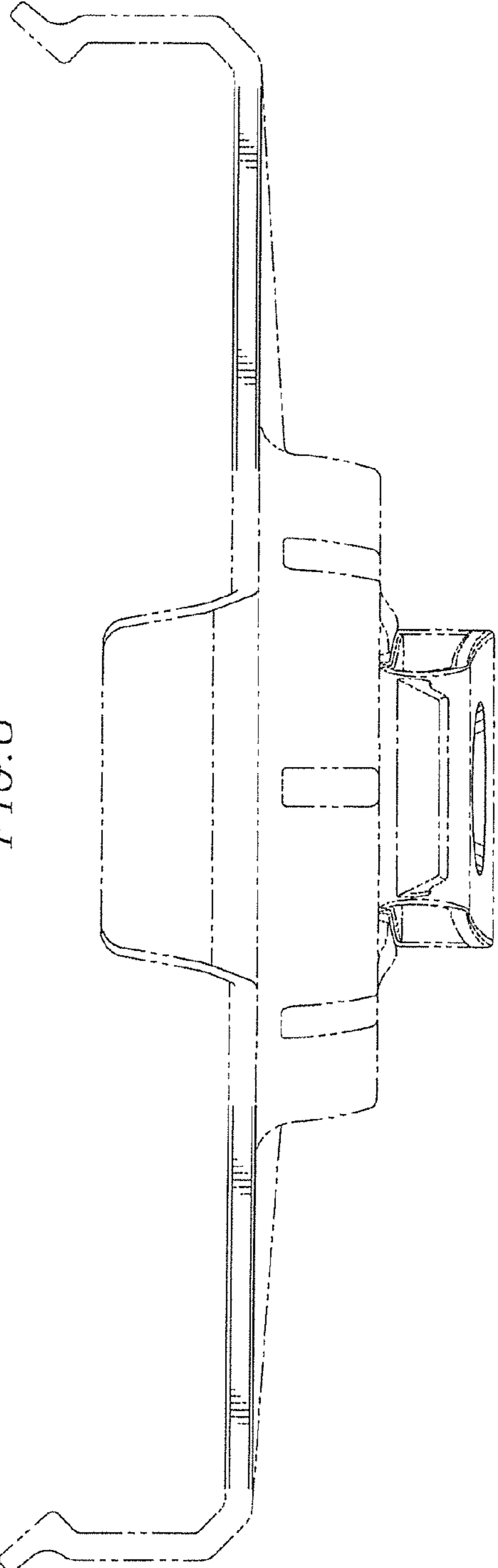


FIG. 10

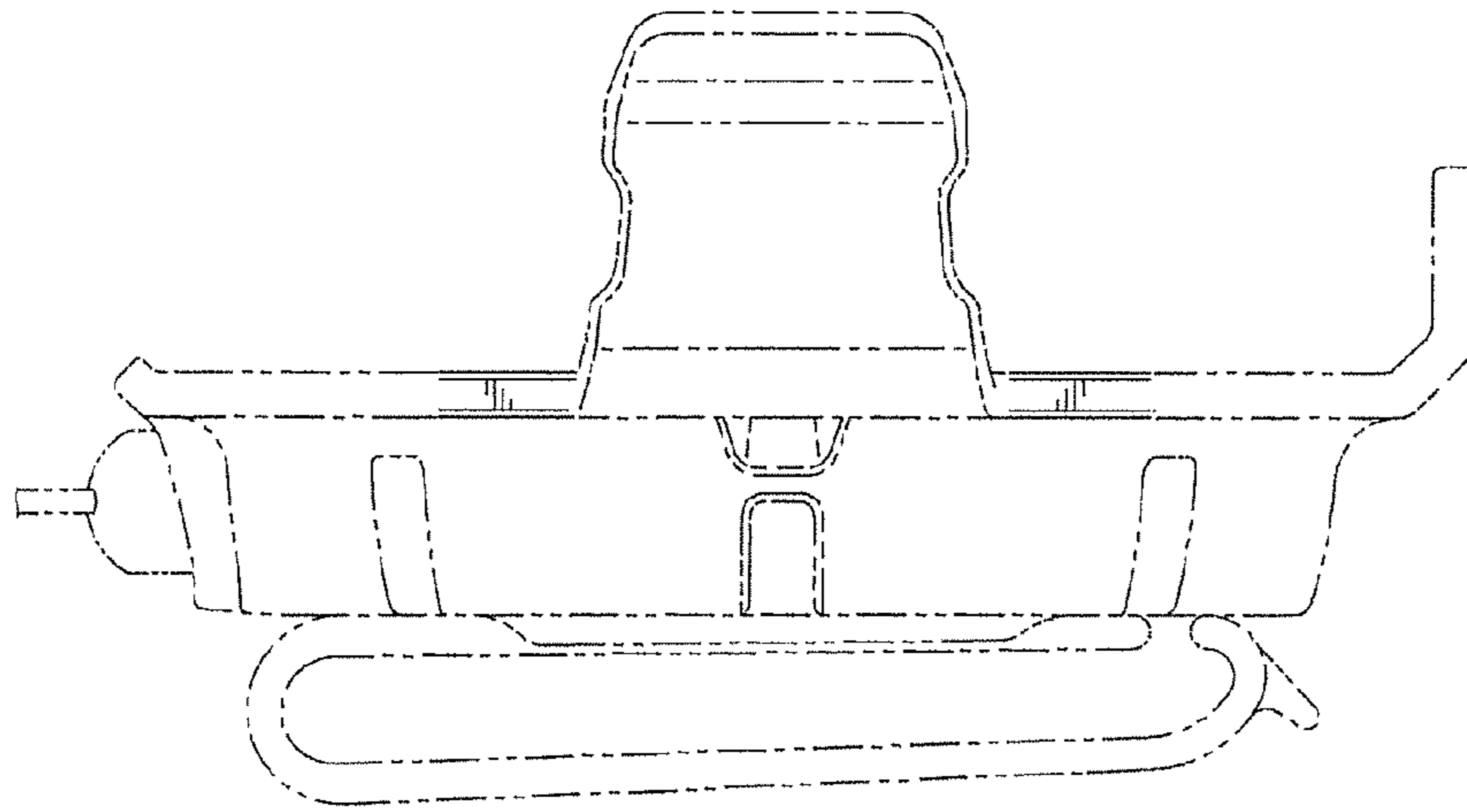


FIG. 9

