



US00D696240S

(12) **United States Design Patent**
Kim et al.

(10) **Patent No.:** **US D696,240 S**

(45) **Date of Patent:** **** Dec. 24, 2013**

(54) **ELECTRONIC DEVICE SHELL**

(56) **References Cited**

(71) Applicant: **Research in Motion Limited**, Waterloo (CA)

U.S. PATENT DOCUMENTS

(72) Inventors: **Younghwan Kim**, Waterloo (CA);
Leonardo Aldana, Waterloo (CA);
Alina Claudia Oprea, Waterloo (CA)

D357,918	S	*	5/1995	Doria	D14/218
D565,839	S	*	4/2008	Allen	D3/218
D589,953	S	*	4/2009	Turner	D14/248
8,051,980	B2	*	11/2011	Tai et al.	206/320
D659,132	S	*	5/2012	Wen	D14/250
D662,929	S	*	7/2012	Fahrendorff et al.	D14/250
D671,930	S	*	12/2012	Akana et al.	D14/250
D673,937	S	*	1/2013	Cheng et al.	D14/250
D674,380	S	*	1/2013	Soekoro	D14/250
D674,789	S	*	1/2013	Wen	D14/250
D678,262	S	*	3/2013	Prato	D14/250
D679,695	S	*	4/2013	Fahrendorff et al.	D14/250
2011/0297578	A1	*	12/2011	Stiehl et al.	206/701
2012/0043236	A1	*	2/2012	Szucs et al.	206/320
2012/0162102	A1	*	6/2012	Cheng et al.	345/173

(73) Assignee: **BlackBerry Limited**, Waterloo, Ontario (CA)

(**) Term: **14 Years**

* cited by examiner

(21) Appl. No.: **29/455,169**

(22) Filed: **May 17, 2013**

Primary Examiner — Carla Jobe Wright

(51) **LOC (9) Cl.** **14-03**

(57) **CLAIM**

The ornamental design for an electronic device shell, as shown and described.

(52) **U.S. Cl.**

USPC **D14/250**

DESCRIPTION

(58) **Field of Classification Search**

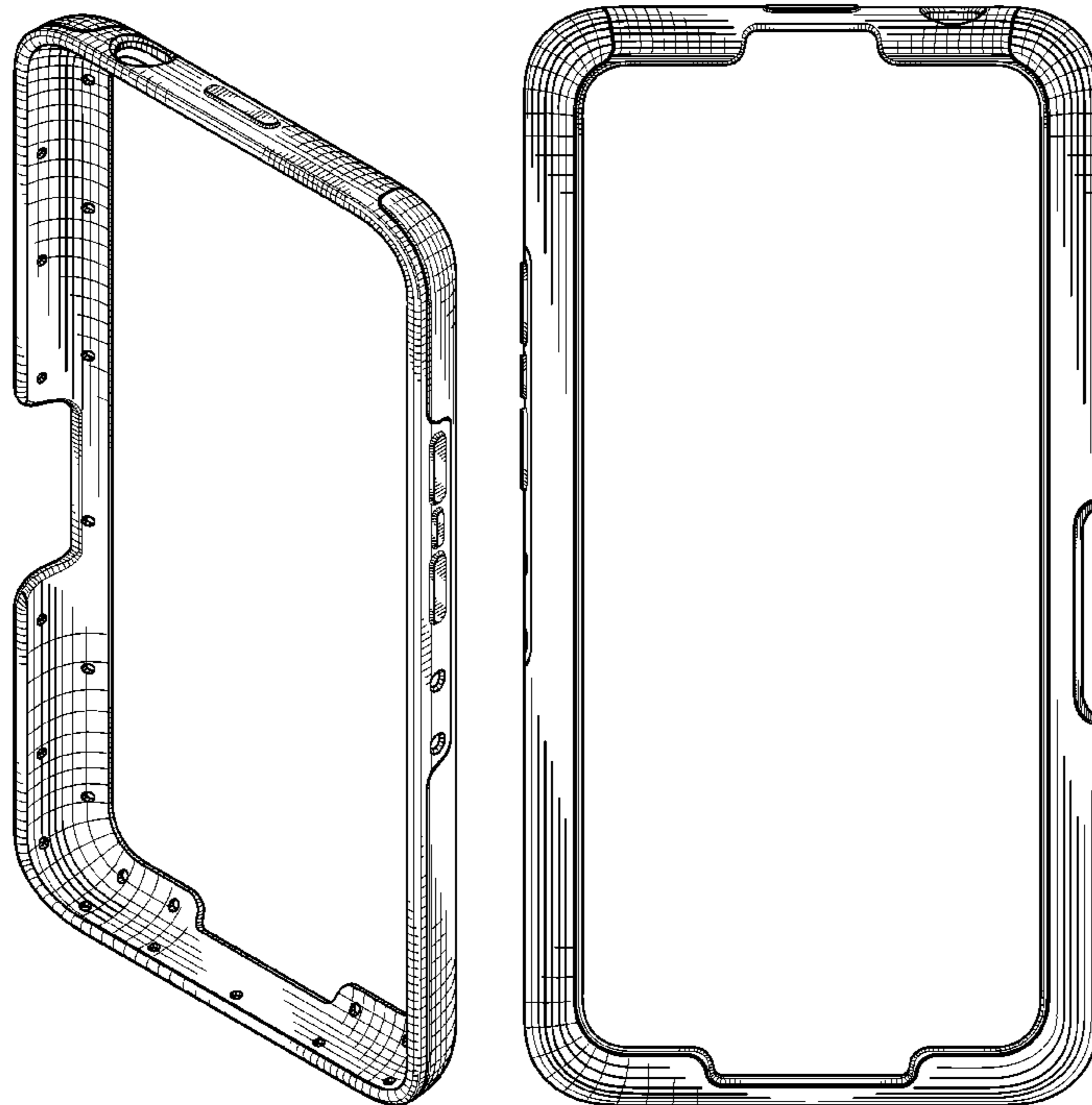
USPC D14/250–253, 440, 203.3–203.7, 217, D14/496, 248, 238.1, 240, 447, 341–347, D14/444; D13/103, 107–108, 119; D3/201, D3/218, 247, 269, 273, 301, 303; 248/309.1, 371, 176.3, 668; 361/679.56, 679.3, 679.25, 816; 379/426, 433.11, 455; 455/575.1, 455/575.8; 206/305, 320; 320/108, 115; 429/96; 220/4.02; 150/165

FIG. 1 is a front perspective view of an electronic device shell showing the Applicant's new design; FIG. 2 is a rear perspective view thereof; FIG. 3 is a front elevation view thereof; FIG. 4 is a rear elevation view thereof; FIG. 5 is a right side elevation view thereof; FIG. 6 is a left side elevation view thereof; FIG. 7 is a bottom plan view thereof; and, FIG. 8 is a top plan view thereof.

The broken lines in FIG. 3 depict unclaimed environment.

See application file for complete search history.

1 Claim, 6 Drawing Sheets



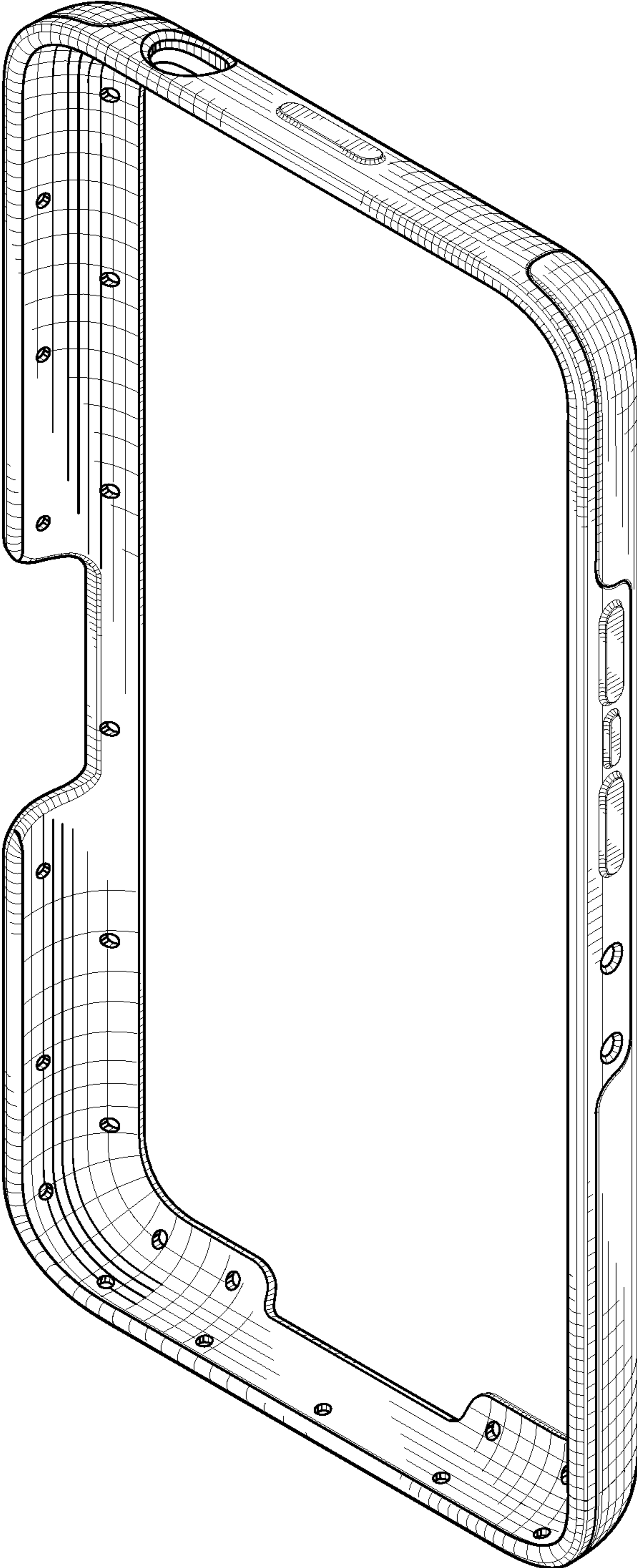


FIG. 1

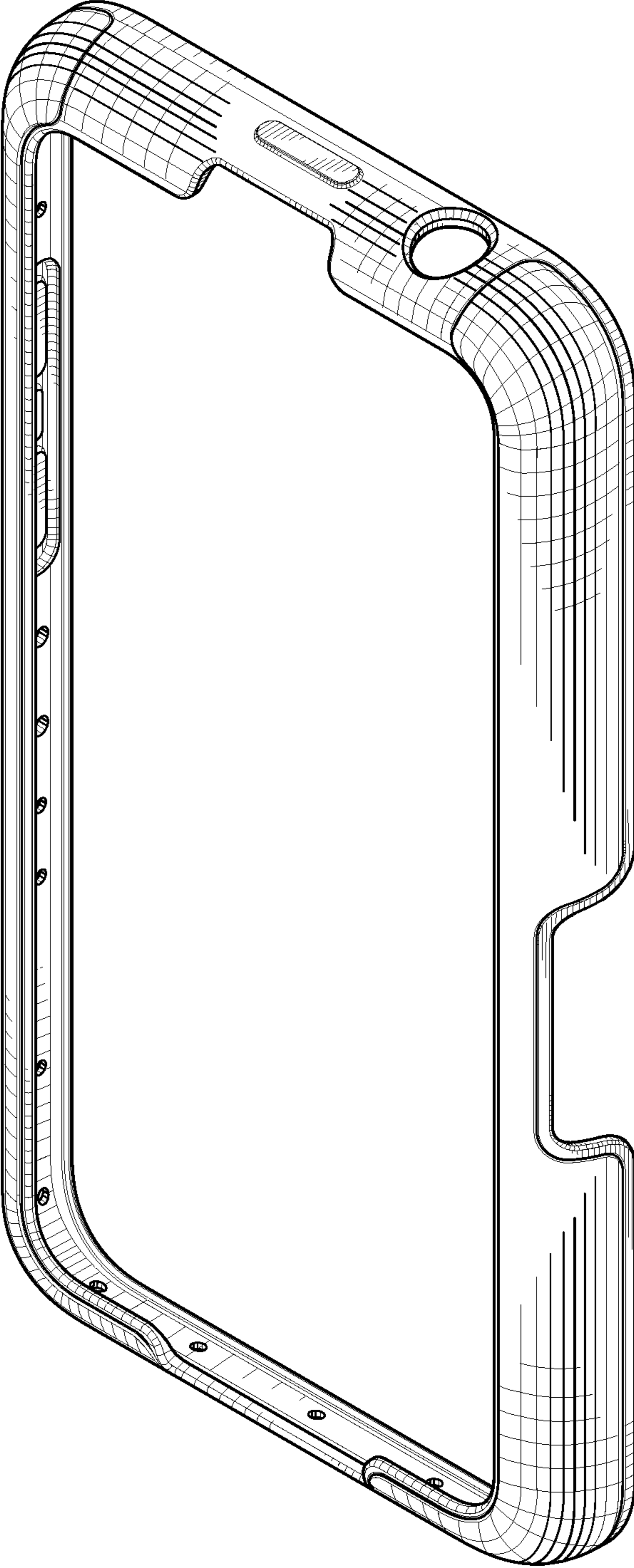


FIG.2

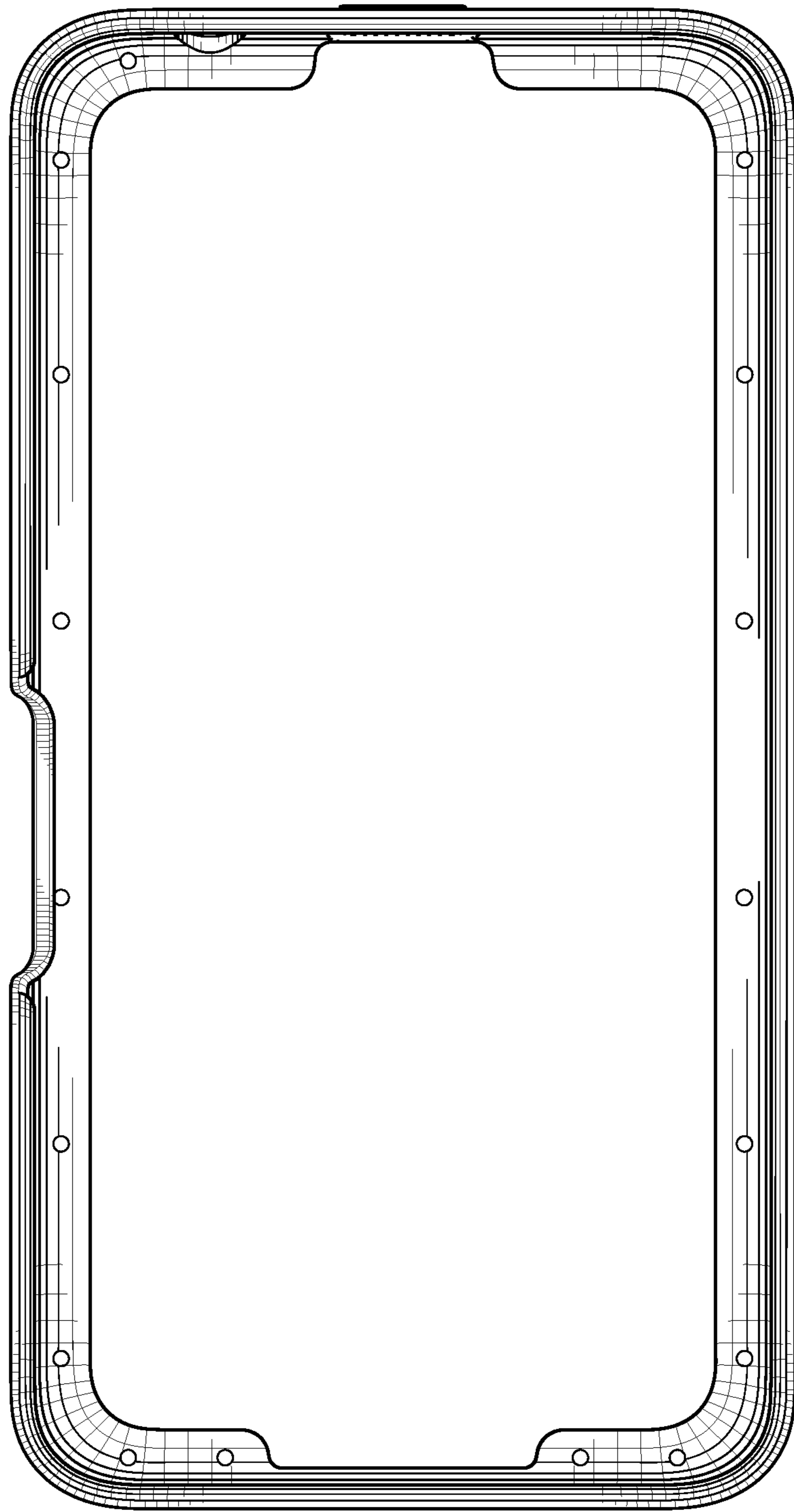


FIG.3

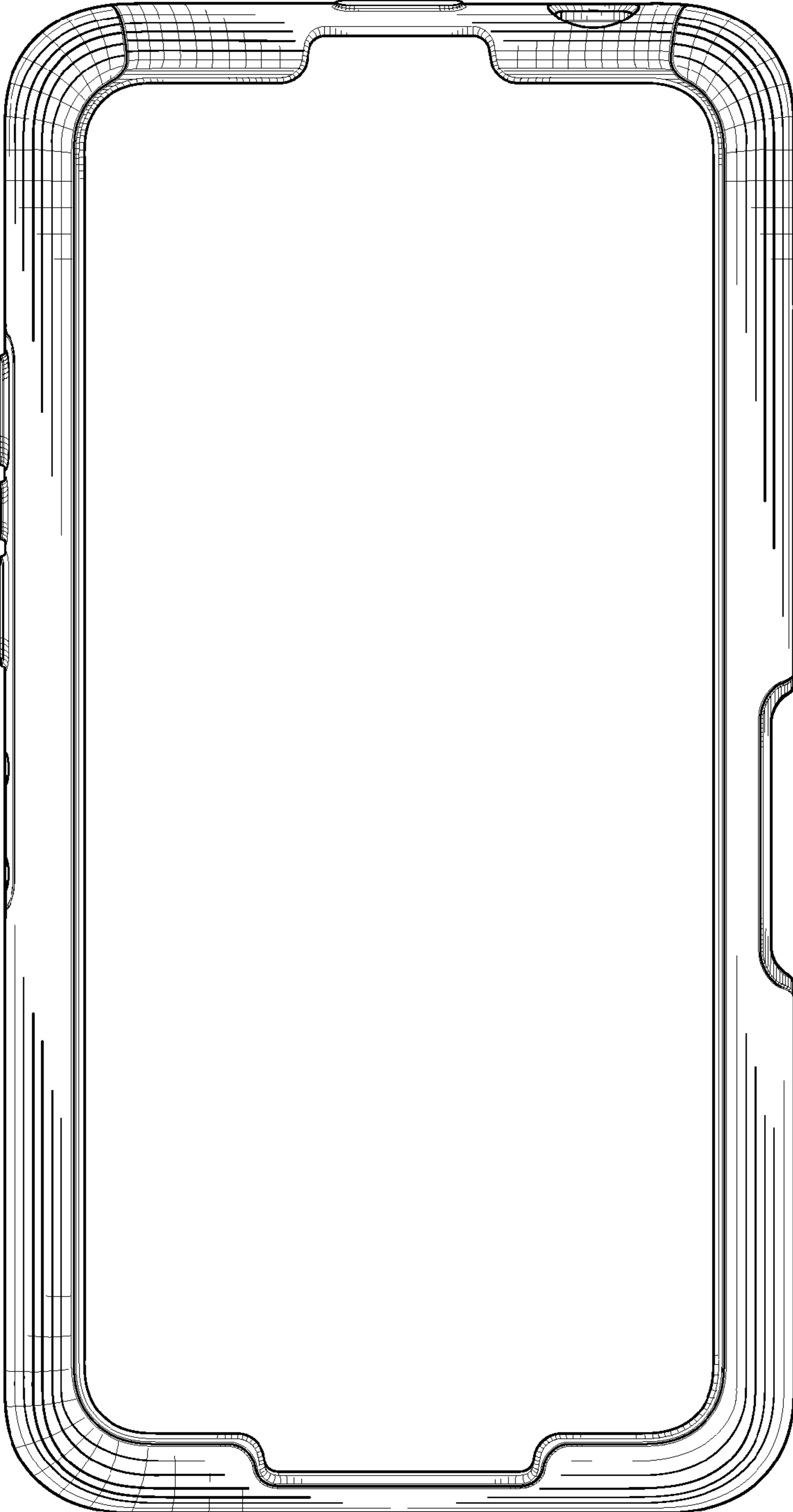


FIG. 4

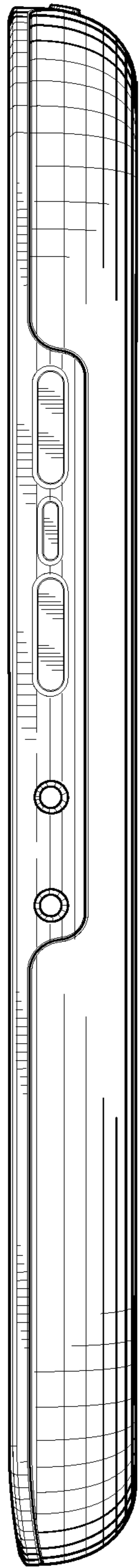


FIG. 5

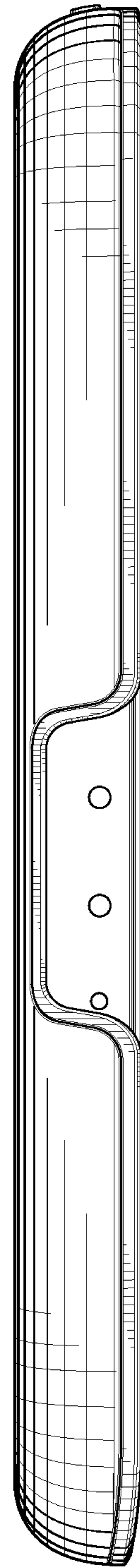


FIG. 6

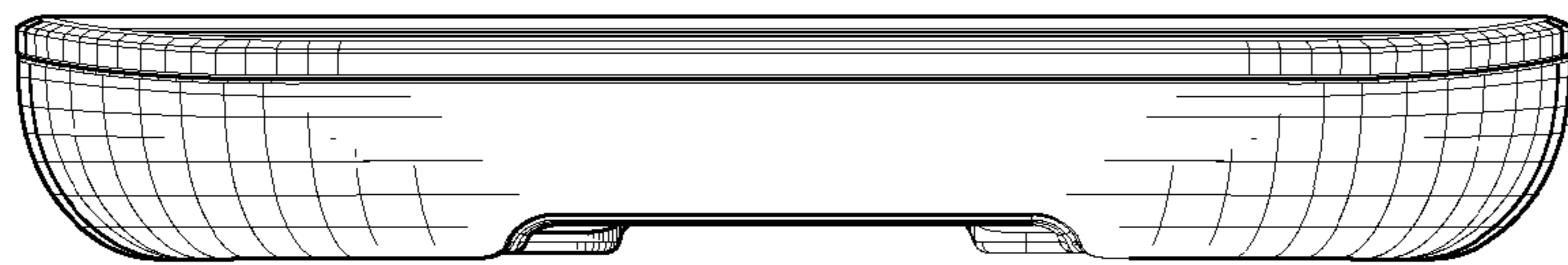


FIG. 7

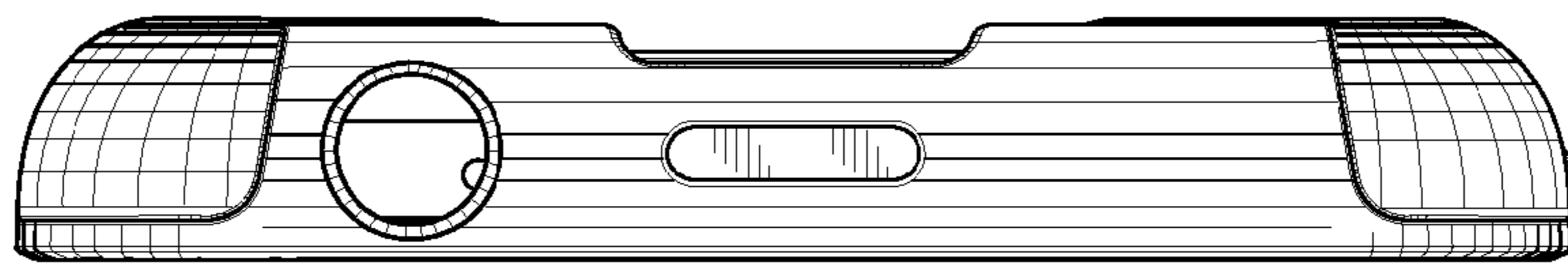


FIG. 8