



US00D696237S

(12) **United States Design Patent**
Murchison et al.

(10) **Patent No.:** **US D696,237 S**

(45) **Date of Patent:** **** Dec. 24, 2013**

(54) **ELECTRONIC DEVICE CASE**

(71) Applicant: **Research in Motion Limited**, Waterloo (CA)

(72) Inventors: **Ian James Murchison**, Ottawa (CA);
Anders Fahrendorff, Ottawa (CA);
Caitlin Curran-Blaney, Toronto (CA);
Alison Phillips, Toronto (CA)

(73) Assignee: **BlackBerry Limited**, Waterloo, Ontario (CA)

(**) Term: **14 Years**

(21) Appl. No.: **29/439,910**

(22) Filed: **Dec. 17, 2012**

(51) **LOC (9) Cl.** **14-03**

(52) **U.S. Cl.**
USPC **D14/250**

(58) **Field of Classification Search**

USPC D14/250–253, 440, 203.3–203.7, 217,
D14/496, 248, 238.1, 240, 447, 341–347,
D14/444; D13/103, 107–108, 119; D3/201,
D3/218, 247, 269, 273, 301, 303;
248/309.1, 371, 176.3, 668;
361/679.56, 679.3, 679.25, 816;
379/426, 433.11, 455; 455/575.1,
455/575.8; 206/305, 320; 320/108, 115;
429/96; 220/4.02; 150/165

See application file for complete search history.

(56) **References Cited**

U.S. PATENT DOCUMENTS

D322,719	S	*	12/1991	Jayez	D3/218
D395,749	S	*	7/1998	Jayez	D3/218
D525,781	S	*	8/2006	Arney et al.	D3/218
D540,537	S	*	4/2007	Azoulay	D3/218
D565,840	S	*	4/2008	Kwak	D3/218
D620,248	S	*	7/2010	Paschke et al.	D3/218
8,046,039	B2	*	10/2011	Lee et al.	455/575.8
D668,045	S	*	10/2012	Robbins et al.	D3/269
D684,367	S	*	6/2013	Phillips et al.	D3/301
D684,960	S	*	6/2013	Murchison et al.	D14/250
D684,961	S	*	6/2013	Murchison et al.	D14/250
8,457,702	B2	*	6/2013	Lee	455/575.8
2008/0032758	A1	*	2/2008	Rostami	455/575.8
2009/0314400	A1	*	12/2009	Liu	150/165
2010/0062816	A1	*	3/2010	Yu	455/575.8
2012/0178507	A1	*	7/2012	Lee	455/575.1

* cited by examiner

Primary Examiner — Carla Jobe Wright

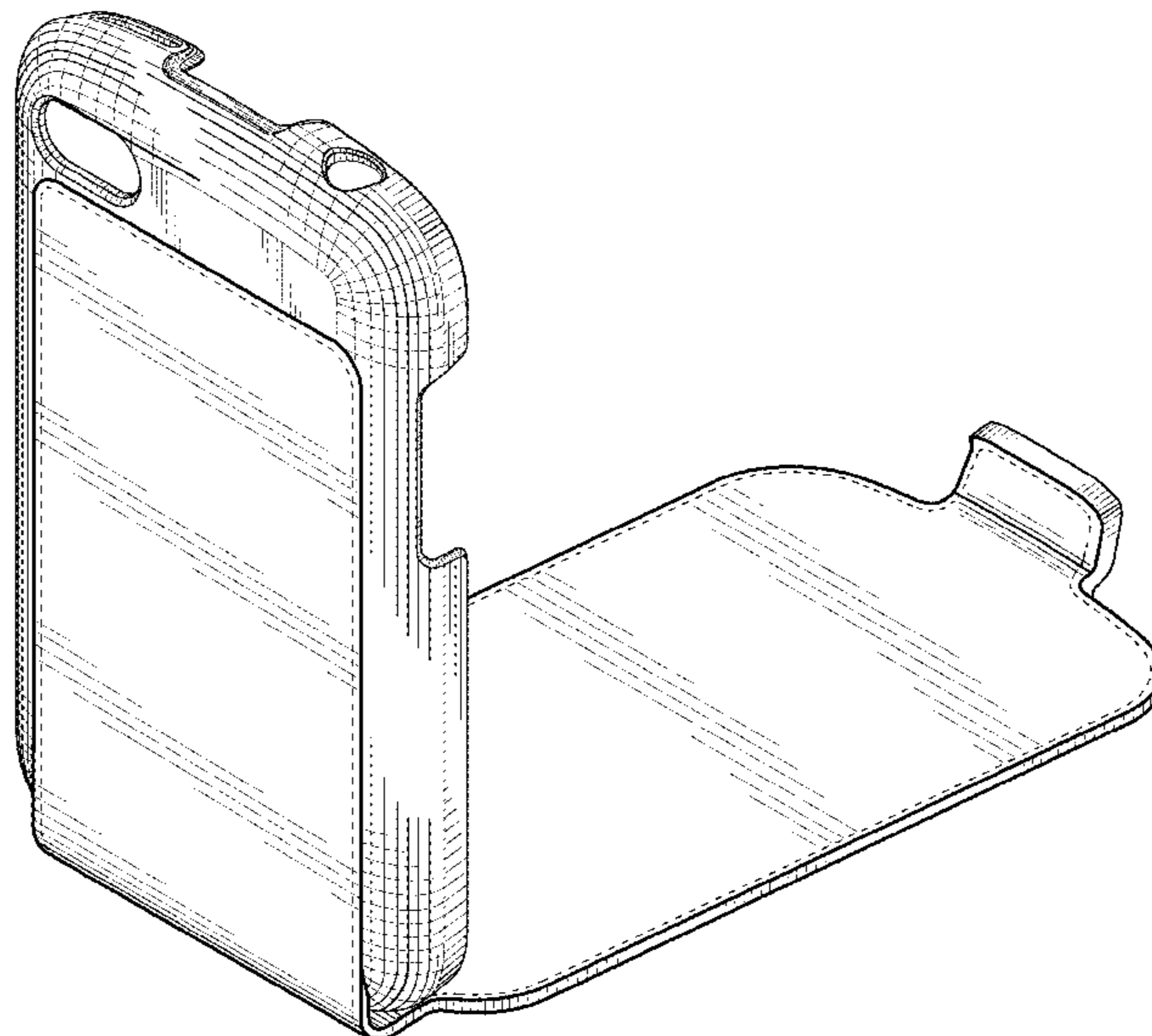
(57) **CLAIM**

The ornamental design for an electronic device case, as shown and described.

DESCRIPTION

FIG. 1 is a front perspective view of the electronic device case;
FIG. 2 is a rear perspective view thereof;
FIG. 3 is a front elevation view thereof;
FIG. 4 is a rear elevation view thereof;
FIG. 5 is a right side elevation view thereof;
FIG. 6 is a left side elevation view thereof;
FIG. 7 is a bottom plan view thereof; and,
FIG. 8 is a top plan view thereof.
The broken lines throughout the drawing figures depict stitching which is part of the claimed design.

1 Claim, 8 Drawing Sheets



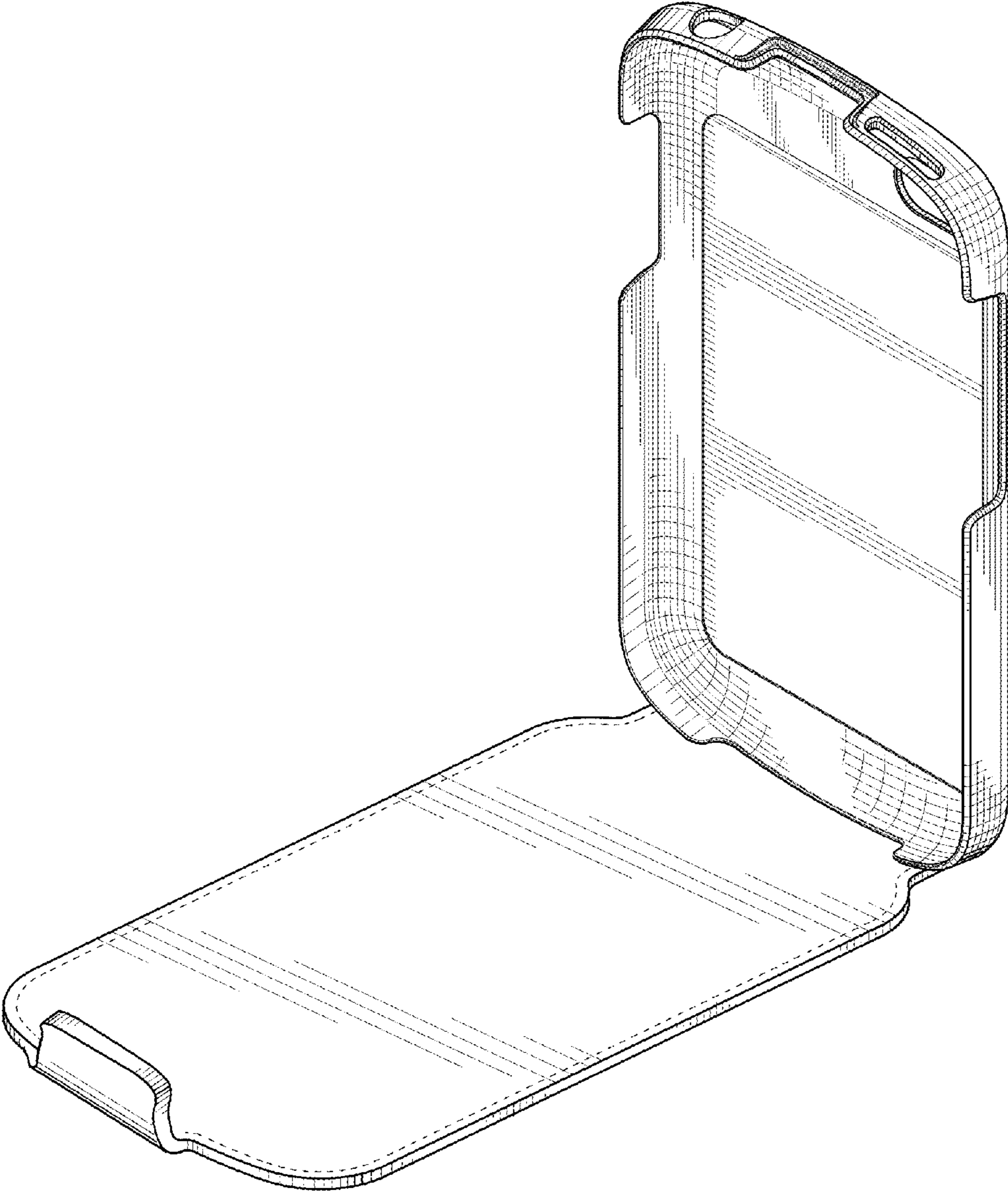


FIG.1

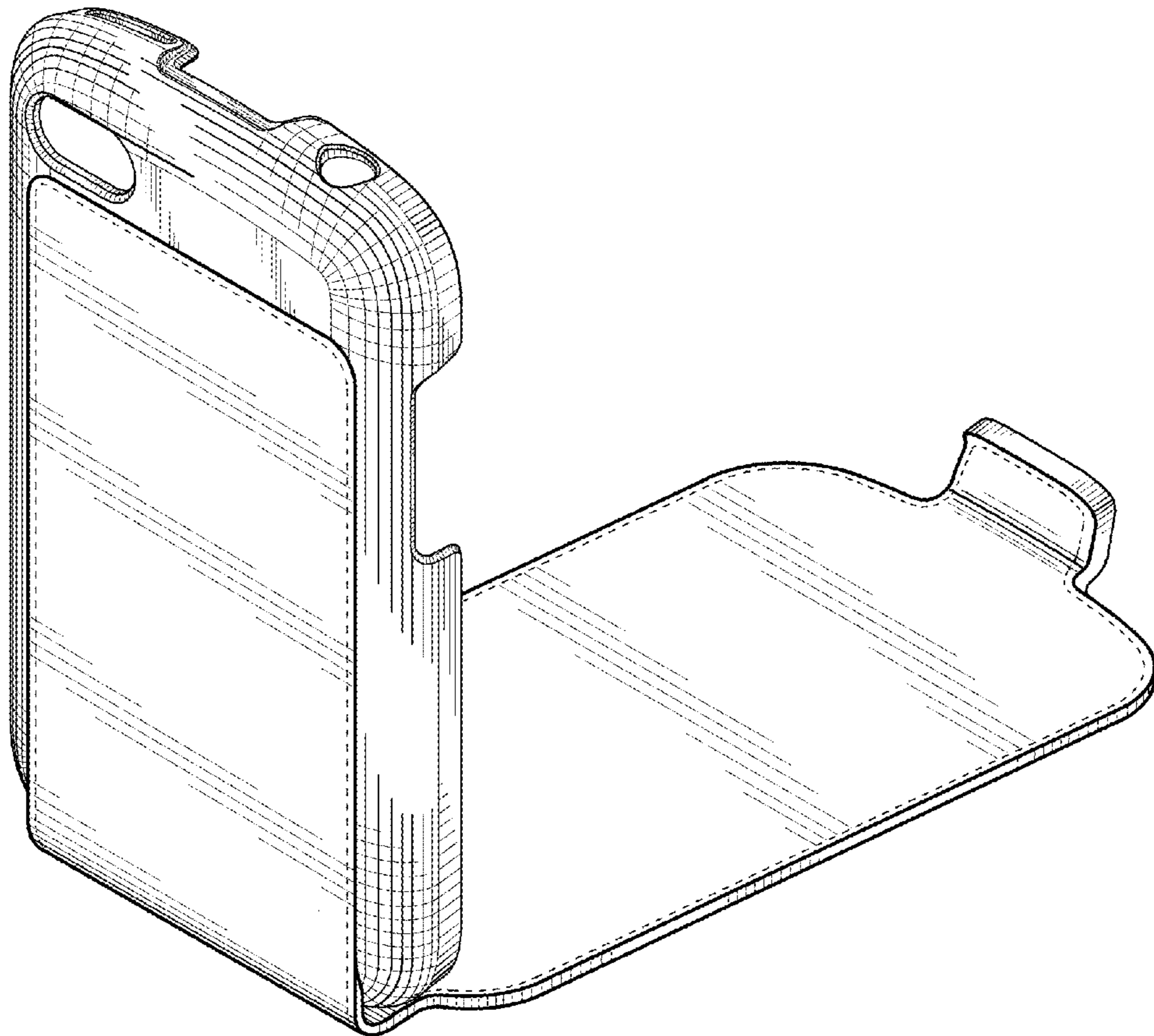


FIG.2

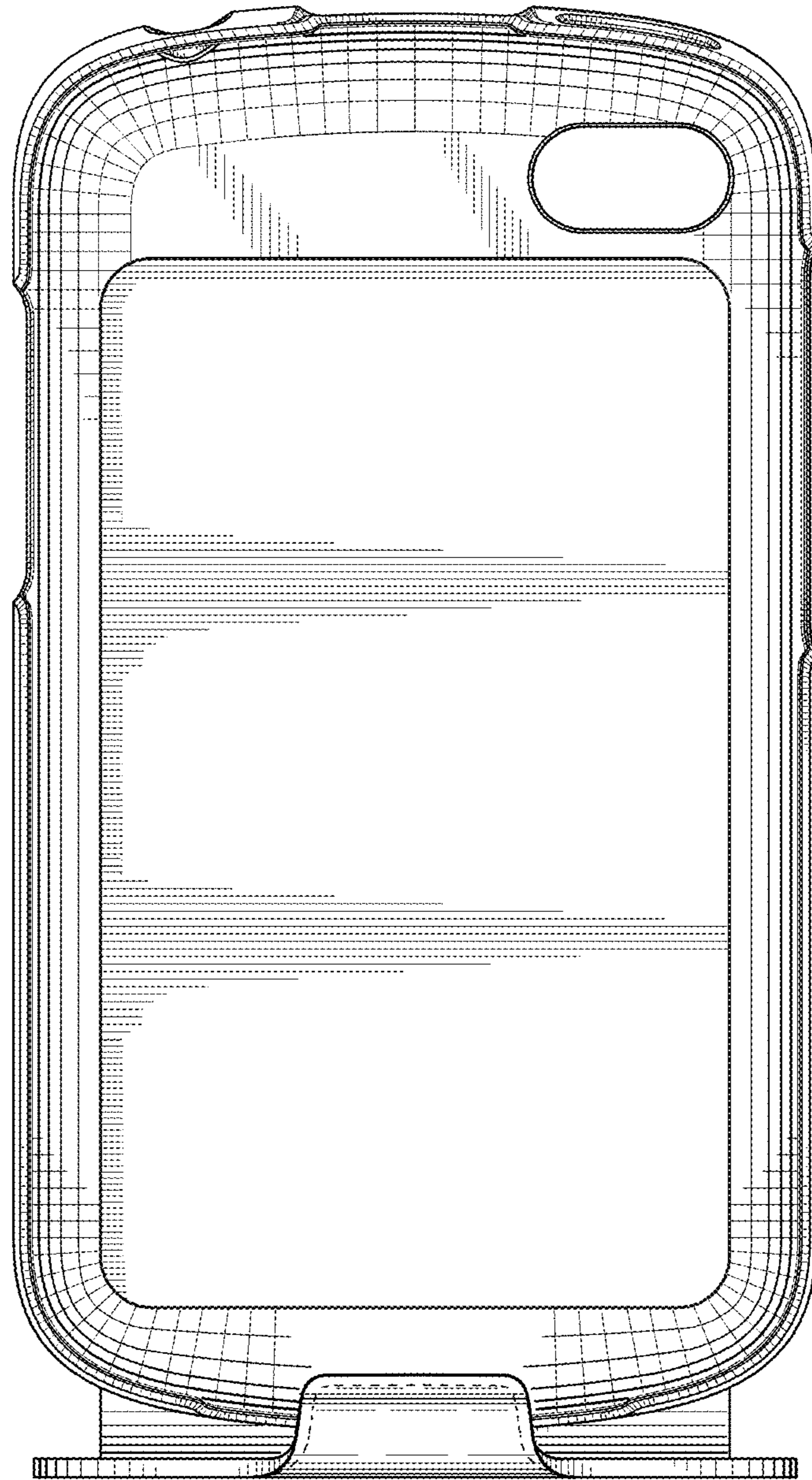


FIG. 3

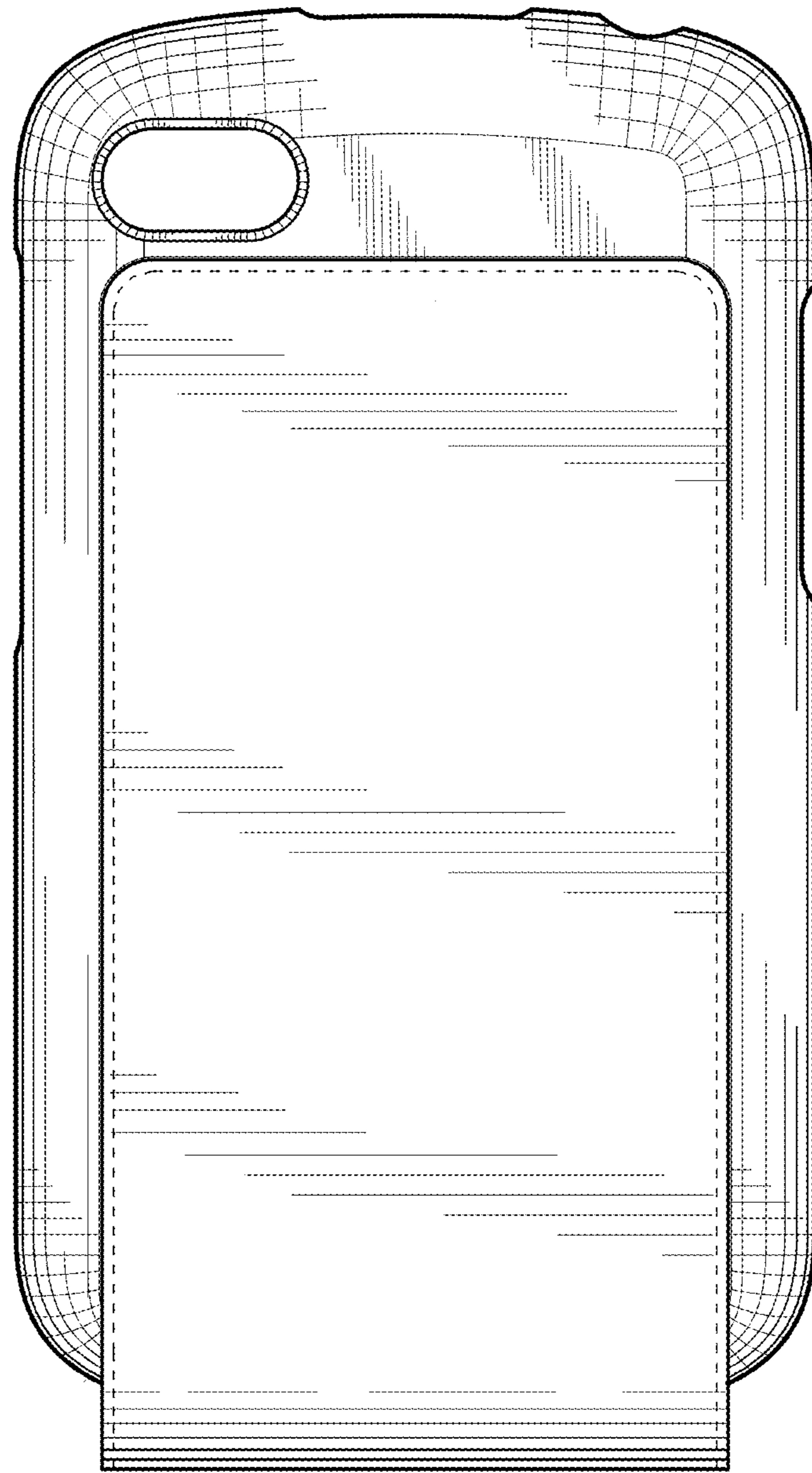


FIG.4

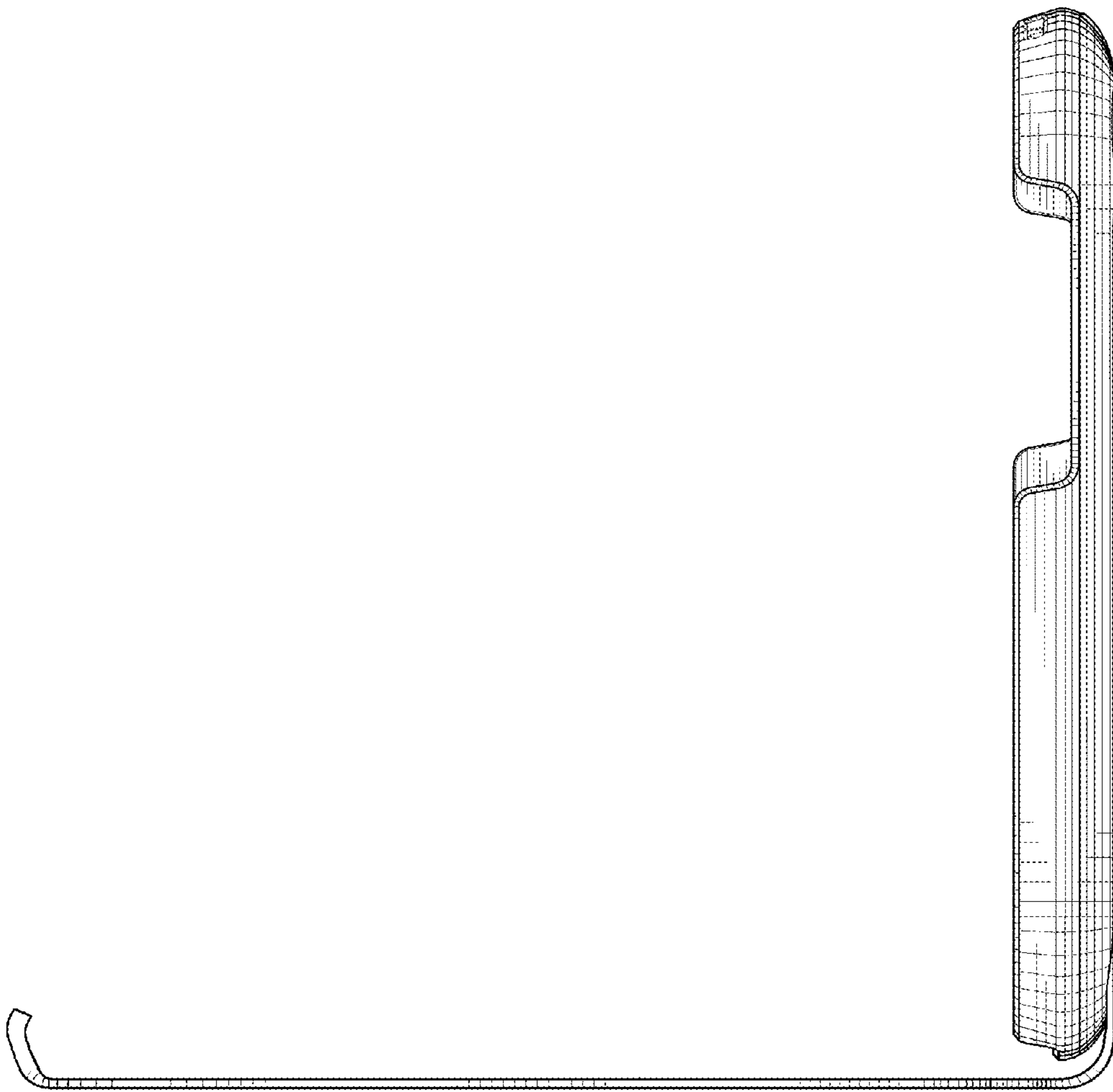


FIG. 5

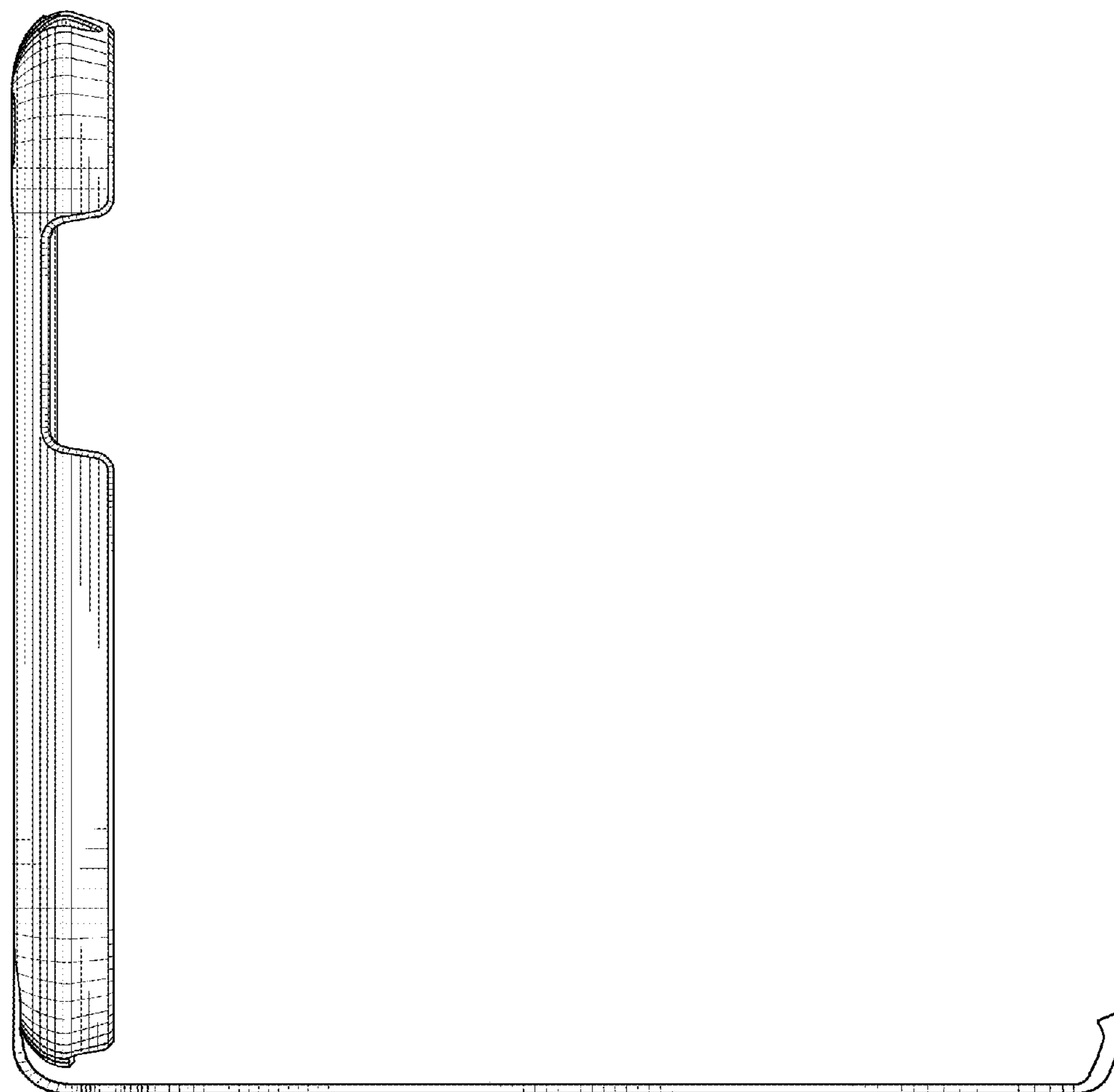


FIG.6

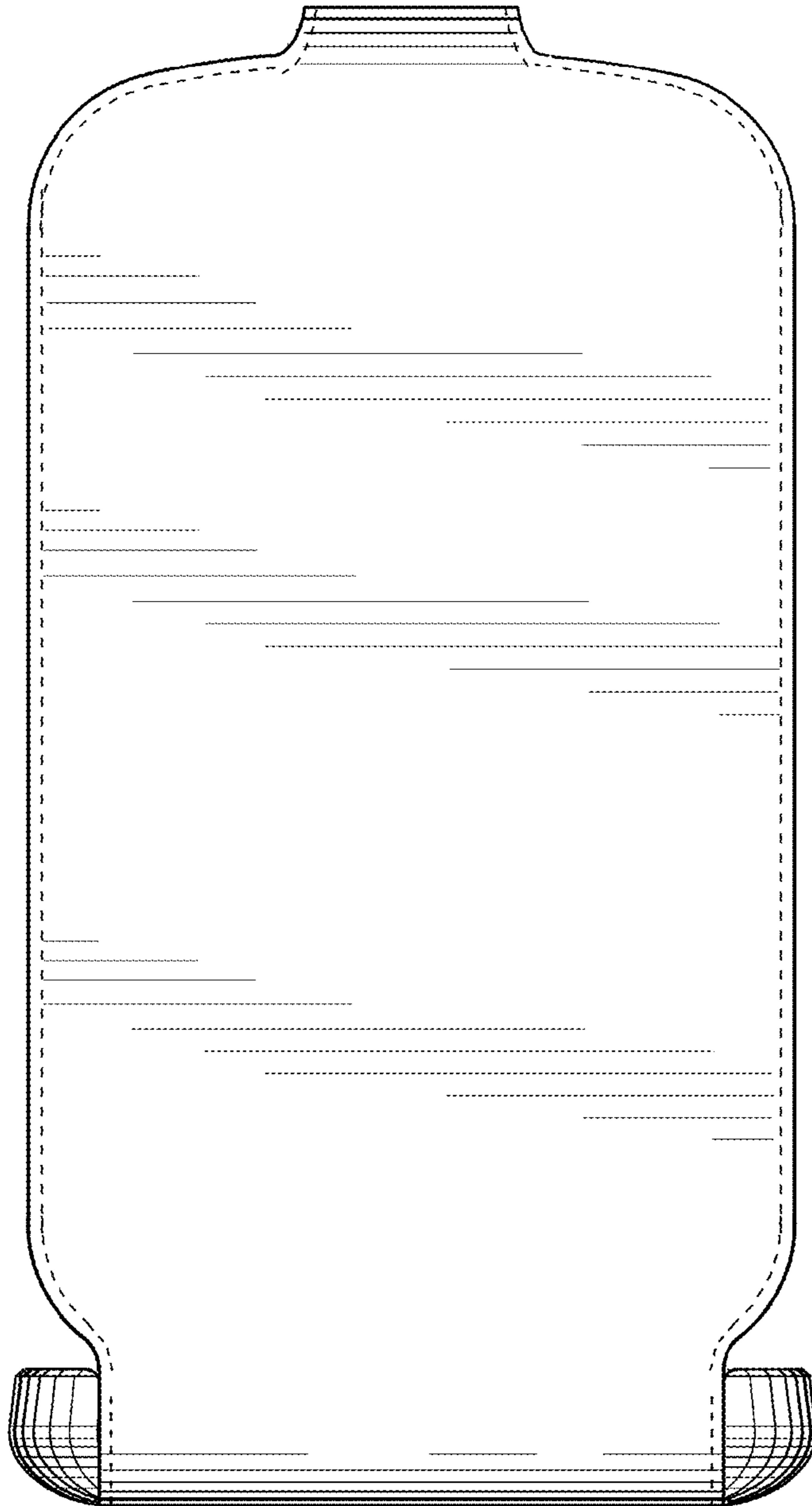


FIG. 7

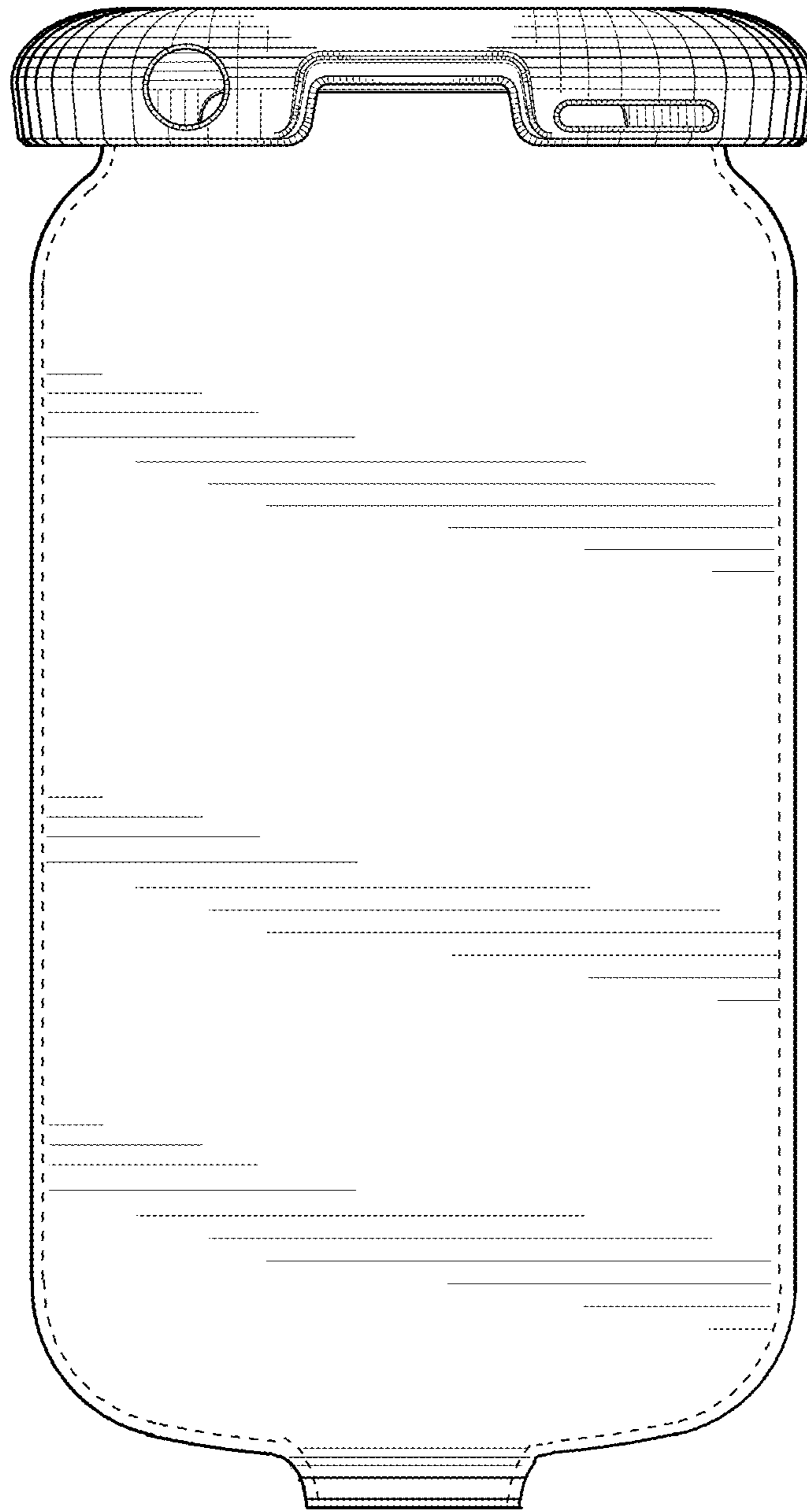


FIG.8