



US00D696234S

(12) **United States Design Patent**
Wright

(10) **Patent No.:** **US D696,234 S**

(45) **Date of Patent:** **** Dec. 24, 2013**

(54) **CASE**

(75) **Inventor:** **Joshua Mason Wright, Shek-O (CN)**

(73) **Assignee:** **Catalyst Lifestyle Limited, North Point, Hong Kong (HK)**

(**) **Term:** **14 Years**

(21) **Appl. No.:** **29/399,884**

(22) **Filed:** **Aug. 19, 2011**

(51) **LOC (9) Cl.** **14-03**

(52) **U.S. Cl.**
USPC **D14/250**

(58) **Field of Classification Search**
USPC D14/137, 138, 168, 203.1-203.7, 217,
D14/218, 248, 253, 440, 474, 496, 483, 356,
D14/507, 250; D3/218, 269; 345/905;
455/93, 95

See application file for complete search history.

(56) **References Cited**

U.S. PATENT DOCUMENTS

D84,372 S	6/1931	Rosenblatt
2,392,787 A	1/1946	Vermot
3,590,988 A	7/1971	Hollar
D275,822 S	10/1984	Gatland et al.
4,703,161 A	10/1987	McLean
4,733,776 A	3/1988	Ward
4,736,418 A	4/1988	Steadman
4,762,227 A	8/1988	Patterson
4,836,256 A	6/1989	Meliconi
5,025,921 A	6/1991	Gasparaitis et al.
5,092,459 A	3/1992	Uljanic et al.
D327,646 S	7/1992	Hardigg et al.
D329,747 S	9/1992	Embree
D330,329 S	10/1992	Brightbill
5,175,873 A	12/1992	Goldenberg et al.
D335,220 S	5/1993	Ward et al.
D342,609 S	12/1993	Brightbill

D347,324 S	5/1994	Dickinson
D347,732 S	6/1994	Wentz
D348,472 S	7/1994	Cyfko
D353,048 S	12/1994	VanSkiver et al.
5,388,692 A	2/1995	Withrow et al.
D381,512 S	7/1997	Green
5,648,757 A	7/1997	Vernace et al.
D386,611 S	11/1997	Sheu
D402,105 S	12/1998	Erickson
D409,374 S	5/1999	Laba et al.
D412,062 S	7/1999	Potter et al.
D413,202 S	8/1999	Schmitt et al.
D413,203 S	8/1999	Zurwelle et al.

(Continued)

Primary Examiner — Robert M Spear

Assistant Examiner — Rhea Shields

(74) *Attorney, Agent, or Firm* — Gifford, Krass, Sprinkle, Anderson & Citkowski, P.C.; Mark D. Schneider

(57) **CLAIM**

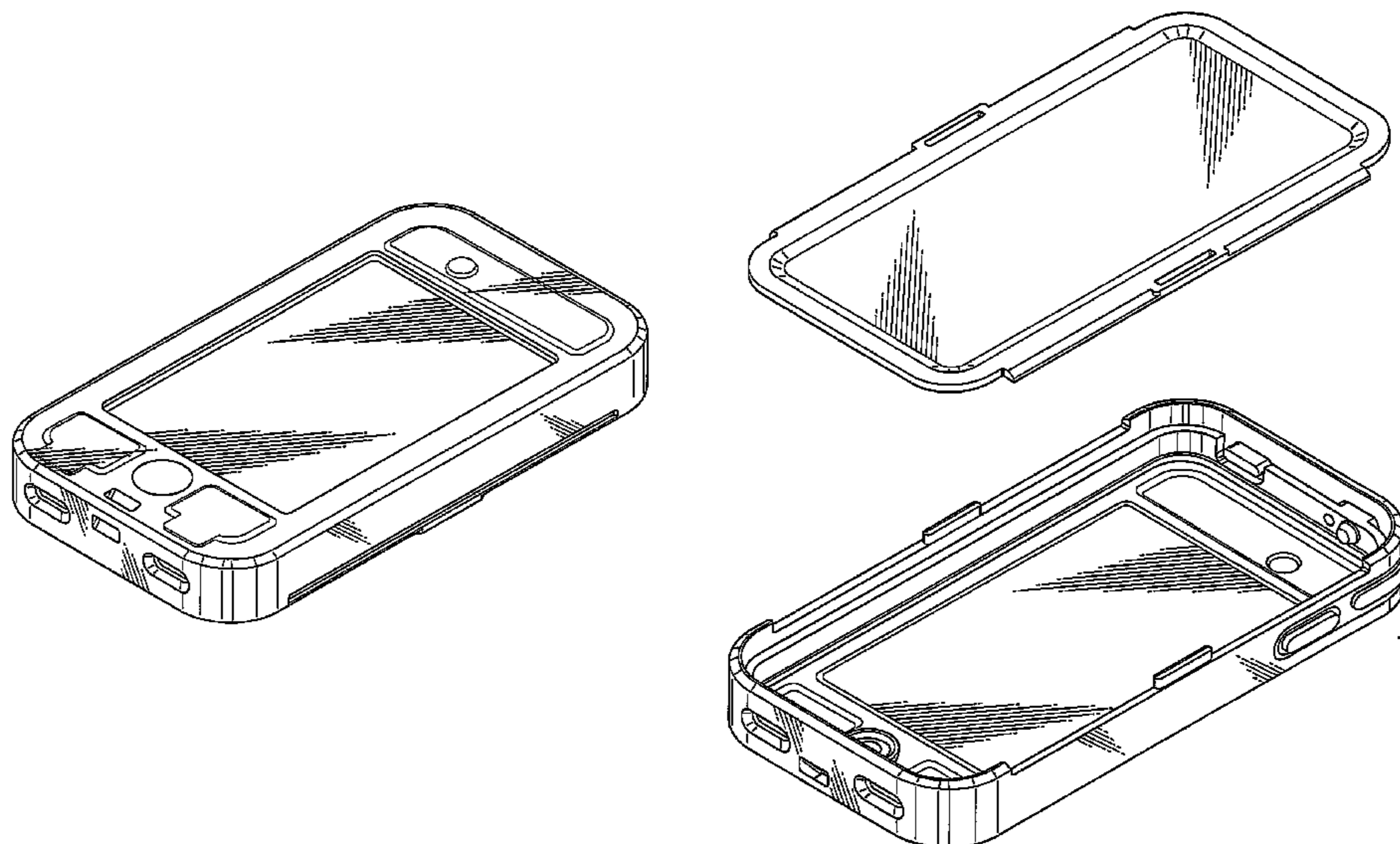
I claim the ornamental design for a case, as shown and described.

DESCRIPTION

FIG. 1 is an isometric view of a case showing the design; FIG. 2 is a top view of the design; FIG. 3 is a front view of the design; FIG. 4 is a bottom view of the design; FIG. 5 is a rear view of the design; FIG. 6 is a left side view of the design; FIG. 7 is a right side view of the design; FIG. 8 is a left isometric view of the design with the lid separated from the body; FIG. 9 is a right isometric view of the design with the lid separated from the body; and, FIG. 10 is a isometric view of the bottom interior of the body of the design.

The broken lines in the figures illustrate unclaimed environment only and form no part of the claimed design.

1 Claim, 7 Drawing Sheets



(56)

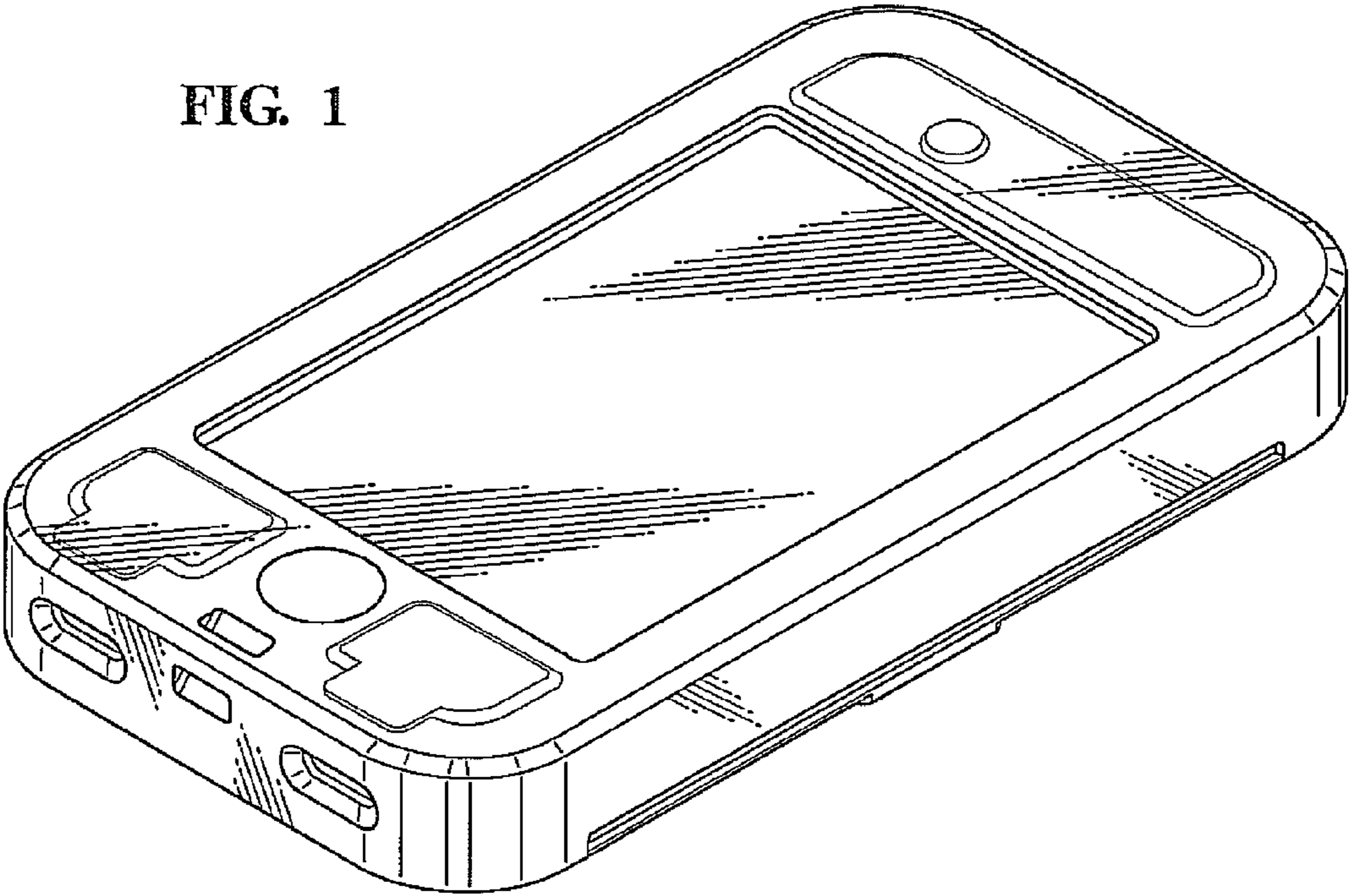
References Cited

U.S. PATENT DOCUMENTS

D419,297 S	1/2000	Richardson et al.	6,995,976 B2	2/2006	Richardson
D419,767 S	2/2000	Richardson et al.	D516,309 S	3/2006	Richardson et al.
D419,768 S	2/2000	Richardson et al.	D516,553 S	3/2006	Richardson et al.
6,031,524 A	2/2000	Kunert	D516,554 S	3/2006	Richardson et al.
6,041,924 A	3/2000	Tajima	D516,807 S	3/2006	Richardson et al.
6,049,813 A	4/2000	Danielson et al.	7,054,441 B2	5/2006	Pletikosa
1,742,377 A	5/2000	Cooper et al.	7,069,063 B2	6/2006	Halkosaari et al.
6,068,119 A	5/2000	Derr et al.	D526,780 S	8/2006	Richardson et al.
6,094,785 A	8/2000	Montgomery et al.	D530,079 S	10/2006	Thomas et al.
D433,798 S	11/2000	Weinstock	7,158,376 B2	1/2007	Richardson et al.
D439,407 S	3/2001	Parker	7,180,735 B2	2/2007	Thomas et al.
6,201,867 B1	3/2001	Koike	7,194,291 B2	3/2007	Peng
6,215,474 B1	4/2001	Shah	D542,524 S	5/2007	Richardson et al.
6,239,968 B1	5/2001	Kim et al.	7,230,823 B2	6/2007	Richardson et al.
D443,133 S	6/2001	Richardson et al.	7,290,654 B2	11/2007	Hodges
6,273,252 B1	8/2001	Mitchell	D557,264 S	12/2007	Richardson et al.
6,301,100 B1	10/2001	Iwata	D557,897 S	12/2007	Richardson et al.
6,313,892 B2	11/2001	Gleckman	7,312,984 B2	12/2007	Richardson et al.
6,313,982 B1	11/2001	Hino	D581,155 S	11/2008	Richardson et al.
6,317,313 B1	11/2001	Mosgrove et al.	D581,421 S	11/2008	Richardson et al.
6,388,877 B1	5/2002	Canova, Jr. et al.	7,449,650 B2	11/2008	Richardson et al.
6,415,138 B2	7/2002	Sirola et al.	D587,008 S	2/2009	Richardson et al.
6,445,577 B1	9/2002	Madsen et al.	7,495,895 B2	2/2009	Carnevali
6,456,487 B1	9/2002	Hetterick	D589,016 S	3/2009	Richardson et al.
6,471,056 B1	10/2002	Tzeng	D593,319 S	6/2009	Richardson et al.
D465,330 S	11/2002	Parker	D593,746 S *	6/2009	Richardson et al. D3/201
D470,659 S	2/2003	Story et al.	D597,301 S	8/2009	Richardson et al.
6,519,141 B2	2/2003	Tseng et al.	7,609,512 B2	10/2009	Richardson et al.
6,536,589 B2	3/2003	Chang	D603,602 S	11/2009	Richardson et al.
D472,384 S	4/2003	Richardson	D605,850 S	12/2009	Richardson et al.
6,617,973 B1	9/2003	Osterman	D623,180 S *	9/2010	Diebel D14/250
6,646,864 B2	11/2003	Richardson	D643,029 S *	8/2011	Feng D14/250
6,659,274 B2	12/2003	Enners	D662,922 S *	7/2012	Akana et al. D14/250
6,665,174 B1	12/2003	Derr et al.	D662,923 S *	7/2012	Piedra et al. D14/250
6,701,159 B1	3/2004	Powell	D663,263 S *	7/2012	Gupta et al. D13/103
D513,123 S	12/2005	Richardson et al.	D670,281 S *	11/2012	Corpuz et al. D14/250
6,980,777 B2	12/2005	Shepherd et al.	D671,107 S *	11/2012	Rothbaum et al. D14/250
D513,451 S	1/2006	Richardson et al.	D676,432 S *	2/2013	Hasbrook et al. D14/250
D514,808 S	2/2006	Morine et al.	D677,250 S *	3/2013	Takamoto D14/250
D515,588 S	2/2006	Kirkwood	D677,251 S *	3/2013	Melanson et al. D14/250
			2013/0063004 A1 *	3/2013	Lai et al. 312/223.1

* cited by examiner

FIG. 1



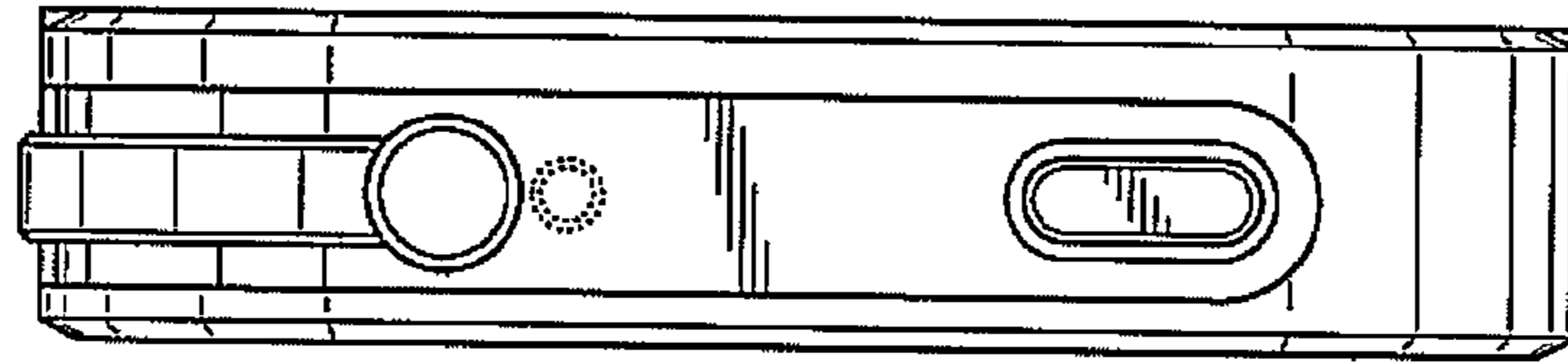


FIG. 2

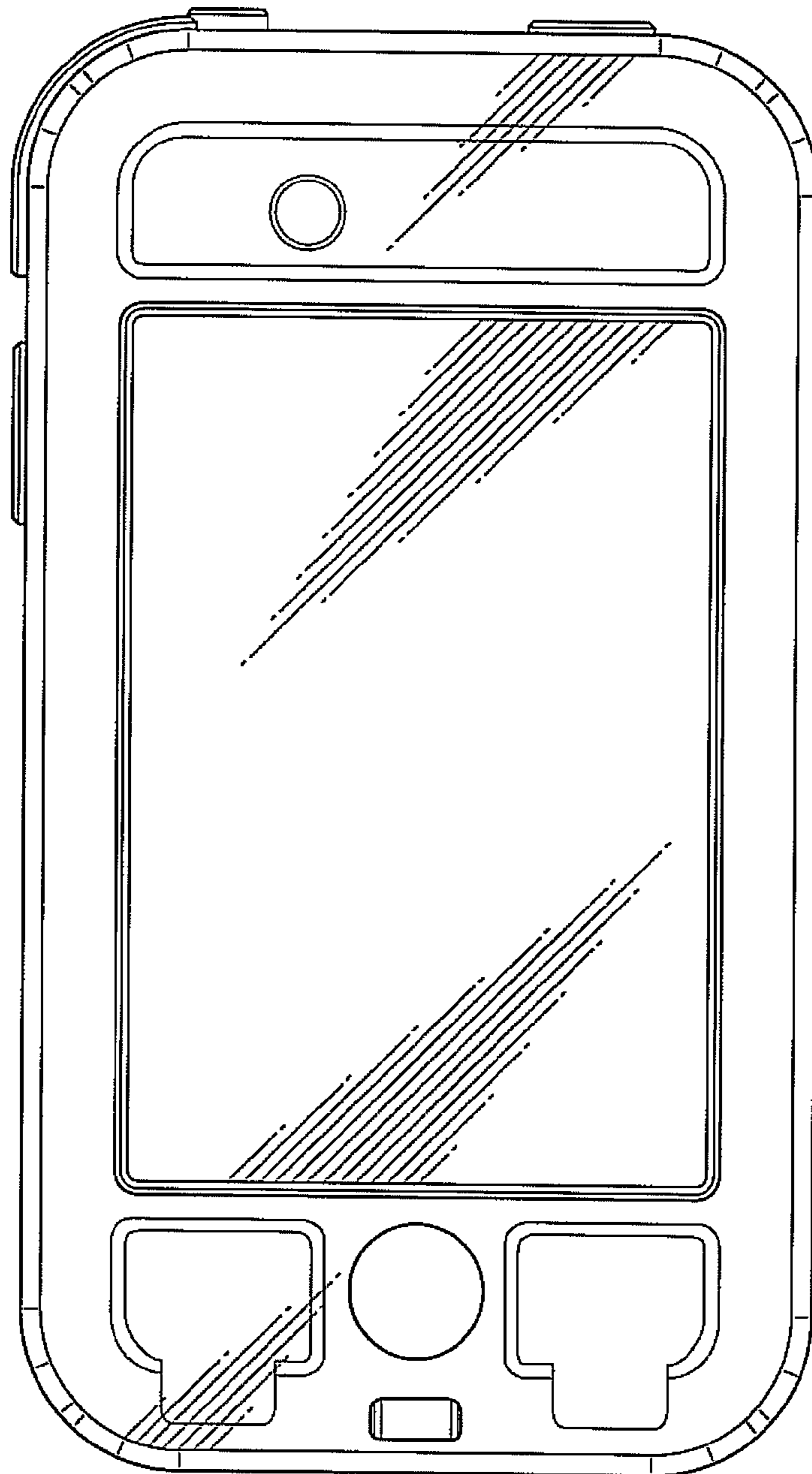


FIG. 3

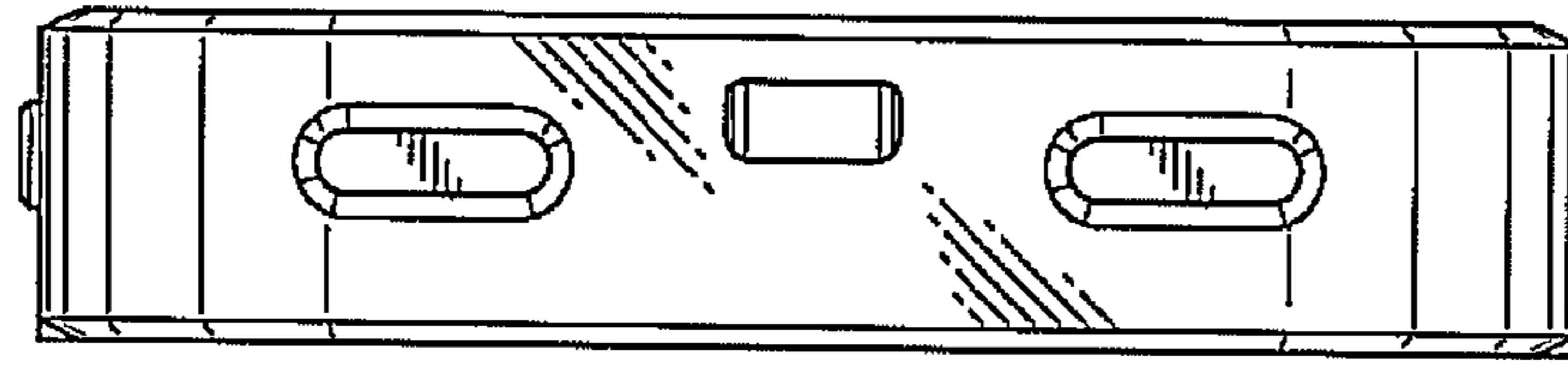


FIG. 4

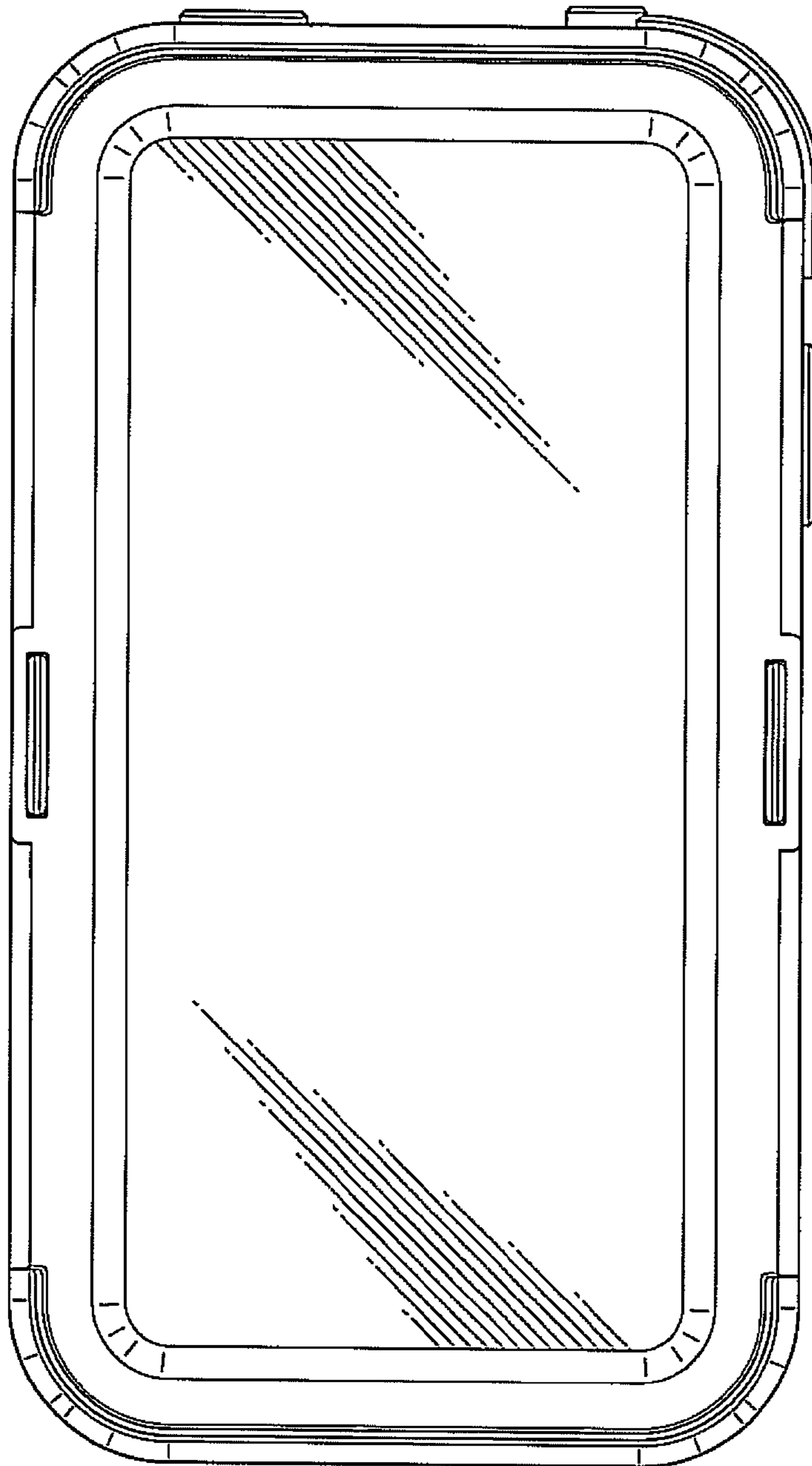


FIG. 5

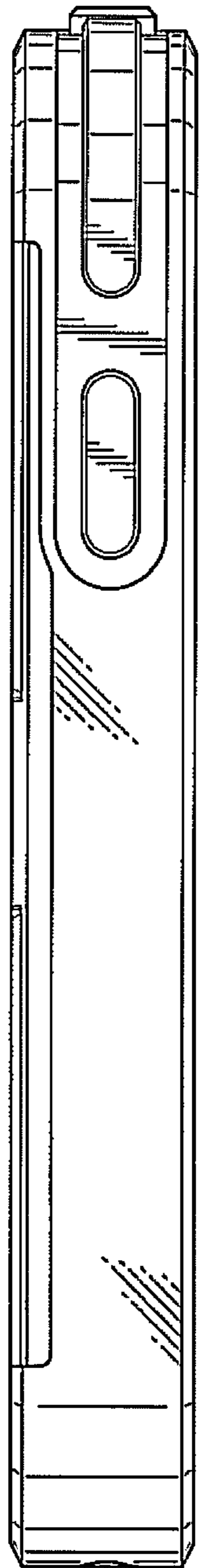


FIG. 6

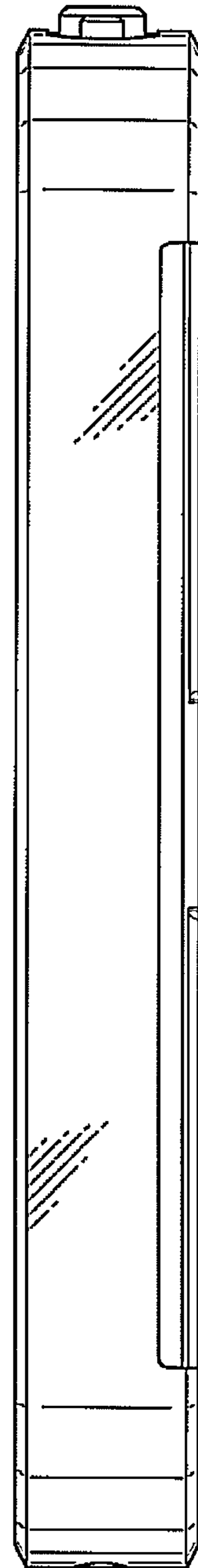


FIG. 7

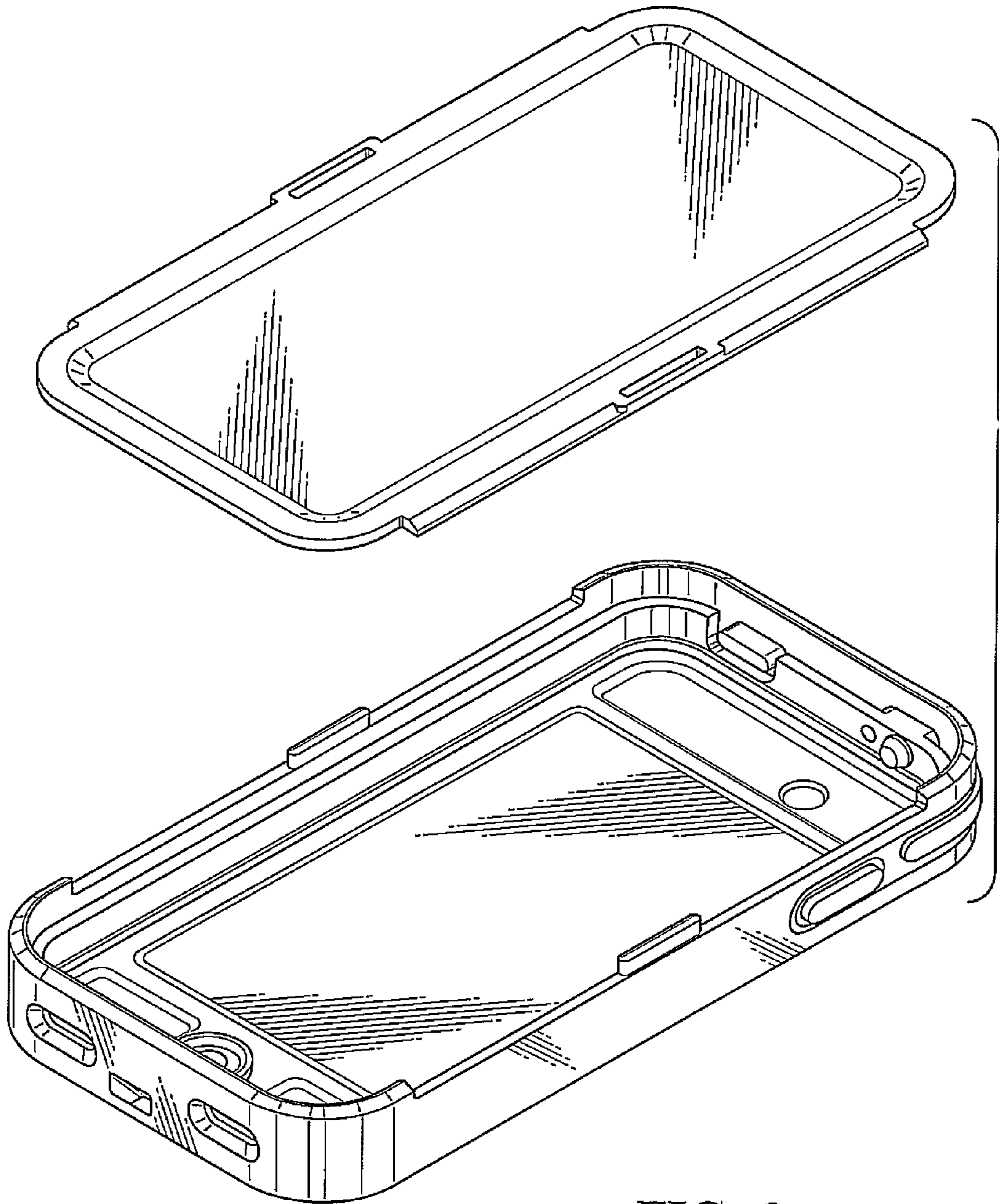


FIG. 8

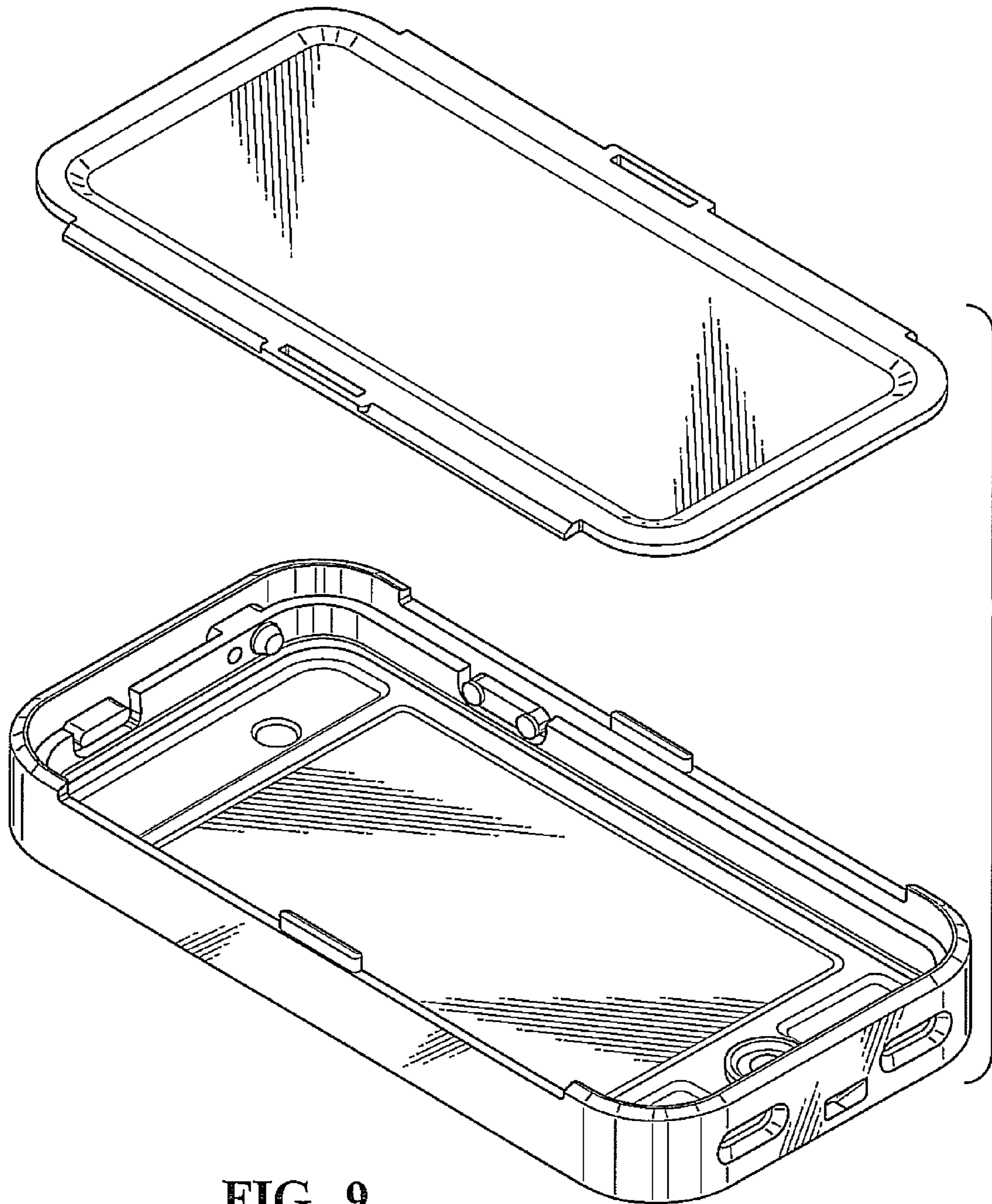


FIG. 9

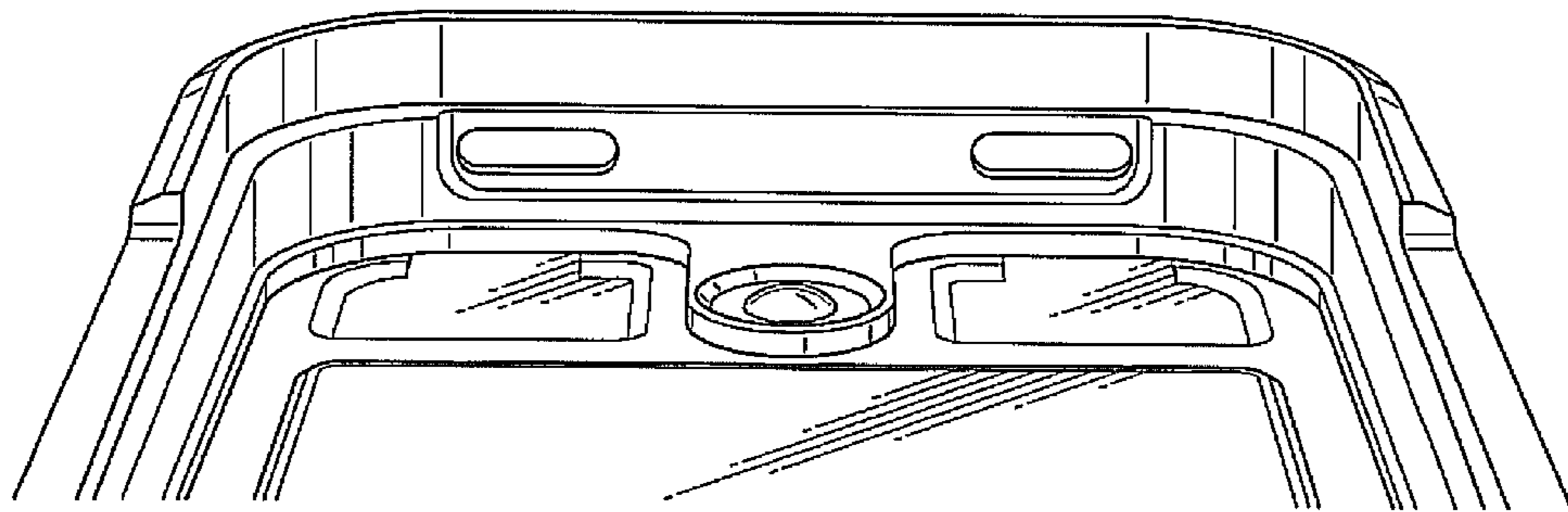


FIG. 10