



US00D696232S

(12) **United States Design Patent**
Lee et al.

(10) **Patent No.:** **US D696,232 S**
(45) **Date of Patent:** **** Dec. 24, 2013**

(54) **KEYPAD FOR MOBILE COMMUNICATION TERMINAL**

(75) Inventors: **Hyun-Do Lee**, Seoul (KR); **O-Chae Kwon**, Seoul (KR); **Il-Geun Bok**, Seoul (KR)

(73) Assignee: **Samsung Electronics Co., Ltd.**, Suwon-si (KR)

(**) Term: **14 Years**

(21) Appl. No.: **29/414,361**

(22) Filed: **Feb. 28, 2012**

(30) **Foreign Application Priority Data**

Oct. 5, 2011 (KR) 30-2011-0041130

(51) **LOC (9) Cl.** **14-03**

(52) **U.S. Cl.**
USPC **D14/247**

(58) **Field of Classification Search**
USPC D14/247-248, 138 R, 138 AD, 138 AC, D14/138 C, 138 G, 191, 203.1-203.8, 496, D14/144, 244, 432, 439, 455, 456, 138 AA, D14/138 AB, 137, 147, 218, 341-347; D10/65, 78, 104; D13/168; D18/7; 455/566, 575.1, 575.3, 575.4; 345/169
See application file for complete search history.

(56) **References Cited**

U.S. PATENT DOCUMENTS

6,259,932	B1 *	7/2001	Constien	455/556.1
7,158,634	B2 *	1/2007	Eromaki	379/433.13
D538,773	S *	3/2007	Joung	D14/138 AA
D548,214	S *	8/2007	Kim et al.	D14/138 AD
D563,364	S *	3/2008	Kim et al.	D14/138 AB
D563,938	S *	3/2008	Kim et al.	D14/138 AD
D565,017	S *	3/2008	Kim et al.	D14/138 AA
D572,695	S *	7/2008	Tu	D14/138 AD
D577,704	S *	9/2008	Park et al.	D14/138 AD

D581,385	S *	11/2008	Park et al.	D14/138 AD
D598,447	S *	8/2009	Hamada et al.	D14/345
D598,914	S *	8/2009	Song et al.	D14/345
D602,901	S *	10/2009	Eguchi et al.	D14/138 G
D606,506	S *	12/2009	Choi et al.	D14/138 AD
D606,539	S *	12/2009	Liao et al.	D14/346
D606,958	S *	12/2009	Knoppert et al.	D14/138 AD
D626,525	S *	11/2010	Kim et al.	D14/138 AB
D628,974	S *	12/2010	Park et al.	D14/138 AD
D631,864	S *	2/2011	Jung	D14/138 AB
D639,284	S *	6/2011	Price et al.	D14/247
D640,221	S *	6/2011	Lee et al.	D14/138 AD

(Continued)

OTHER PUBLICATIONS

Sony Ericsson Vivaz pro, announced Feb. 2010, [online], [retrieved on Feb. 17, 2010]. Retrieved from Internet ,<URL: <http://www.gsmarena.com>>.*

Primary Examiner — Bridget L Eland

(74) *Attorney, Agent, or Firm* — Jefferson IP Law, LLP

(57) **CLAIM**

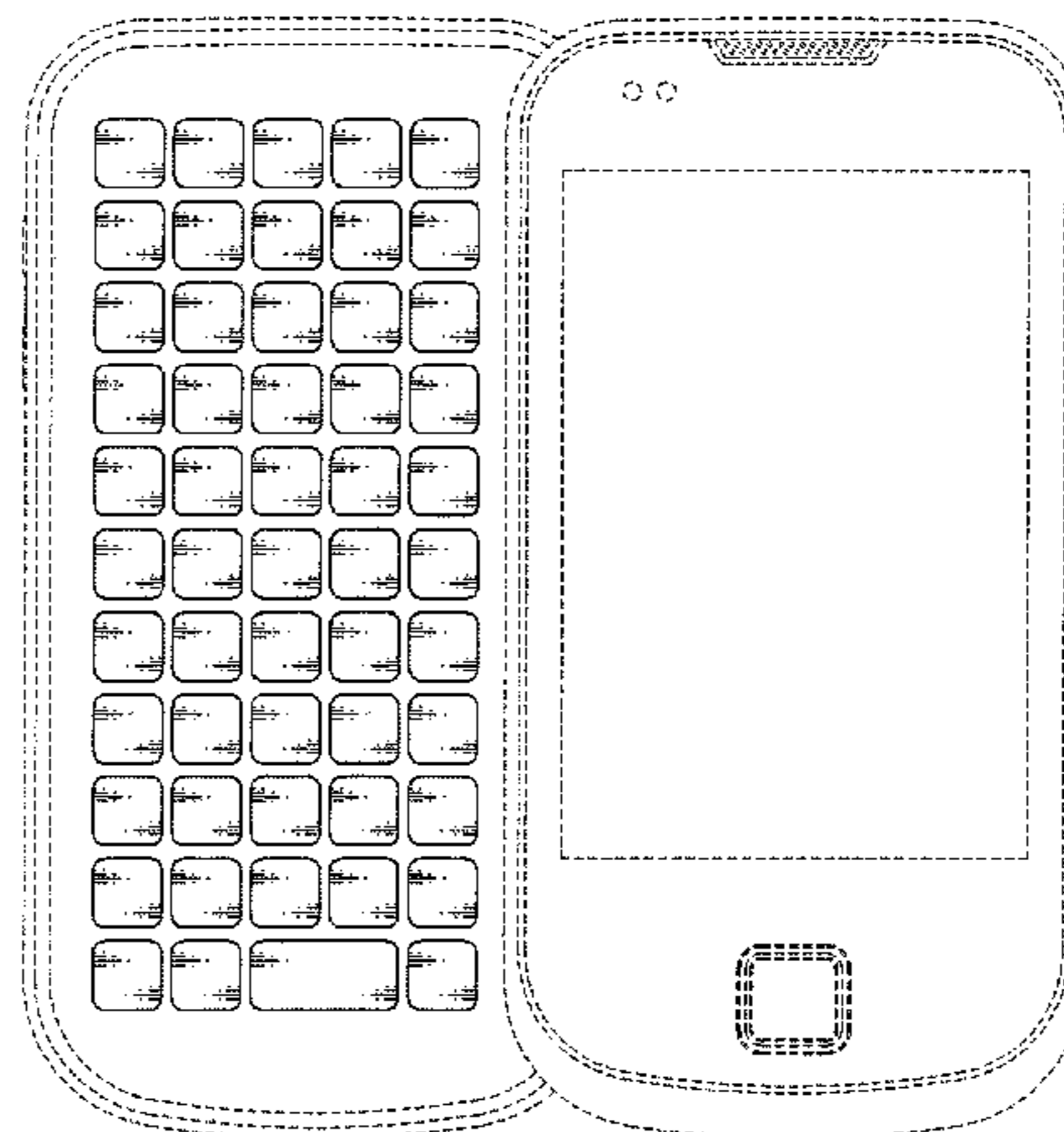
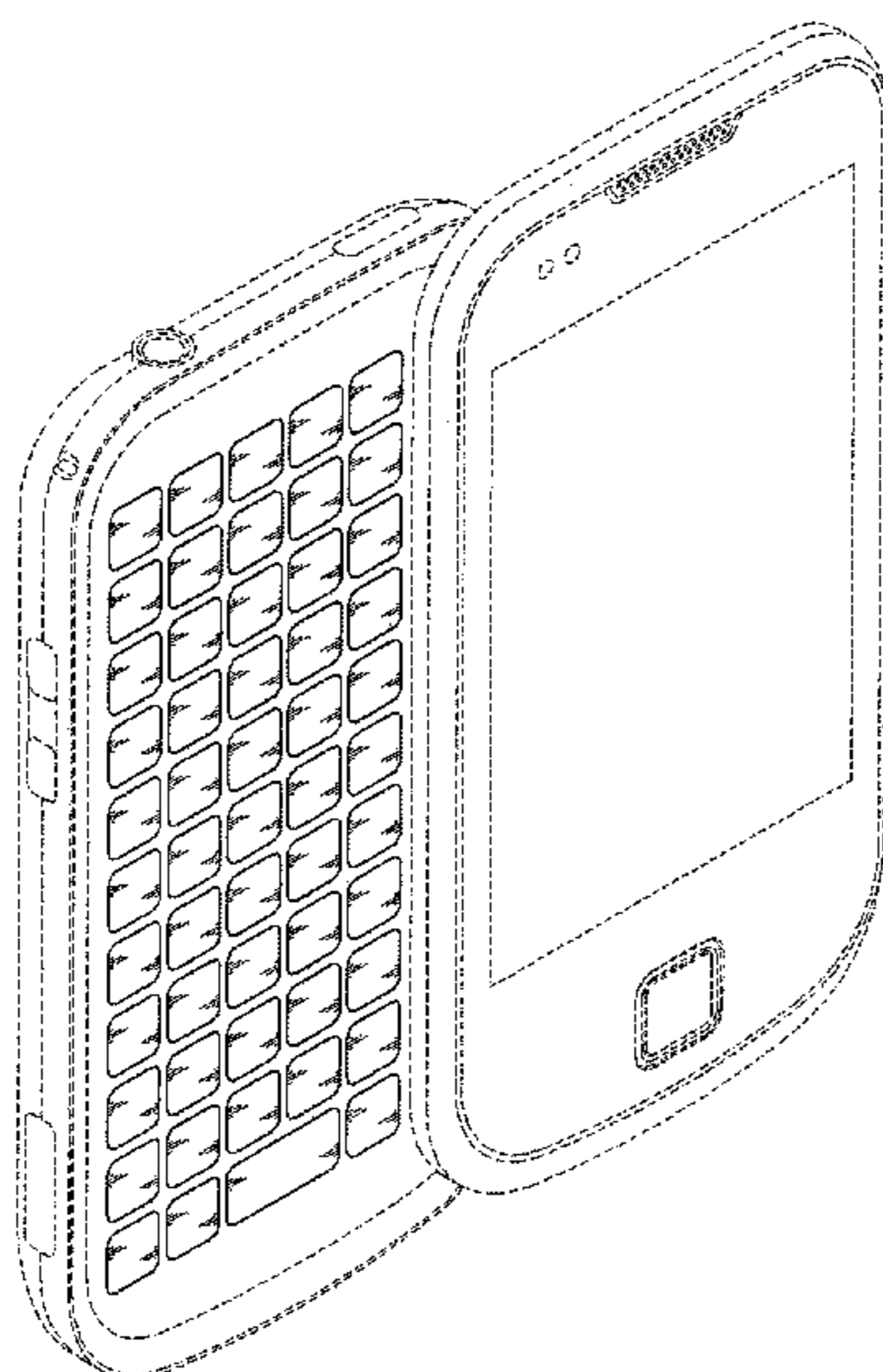
The ornamental design for keypad for mobile communication terminal, as shown and described.

DESCRIPTION

FIG. 1 is a perspective view of keypad for mobile communication terminal, showing a new design;
FIG. 2 is a front elevational view thereof;
FIG. 3 is a rear elevational view thereof;
FIG. 4 is a left side elevational view thereof;
FIG. 5 is a right side elevational view thereof;
FIG. 6 is a top plan view thereof; and,
FIG. 7 is a bottom plan view thereof.

The broken lines immediately adjacent the shaded areas represent the bounds of the claimed design while all other broken lines are directed to environment and are for illustrative purposes only; the broken lines form no part of the claimed design.

1 Claim, 7 Drawing Sheets



US D696,232 S

Page 2

(56)

References Cited

U.S. PATENT DOCUMENTS

			2006/0073859	A1*	4/2006	Chou	455/575.4
			2008/0004085	A1*	1/2008	Jung et al.	455/566
			2011/0143825	A1*	6/2011	Ahn et al.	455/575.4
D652,005	S	*	1/2012	Koh		D14/138 AD	
D663,709	S	*	7/2012	Kim et al.		D14/138 AD	

* cited by examiner

FIG. 1

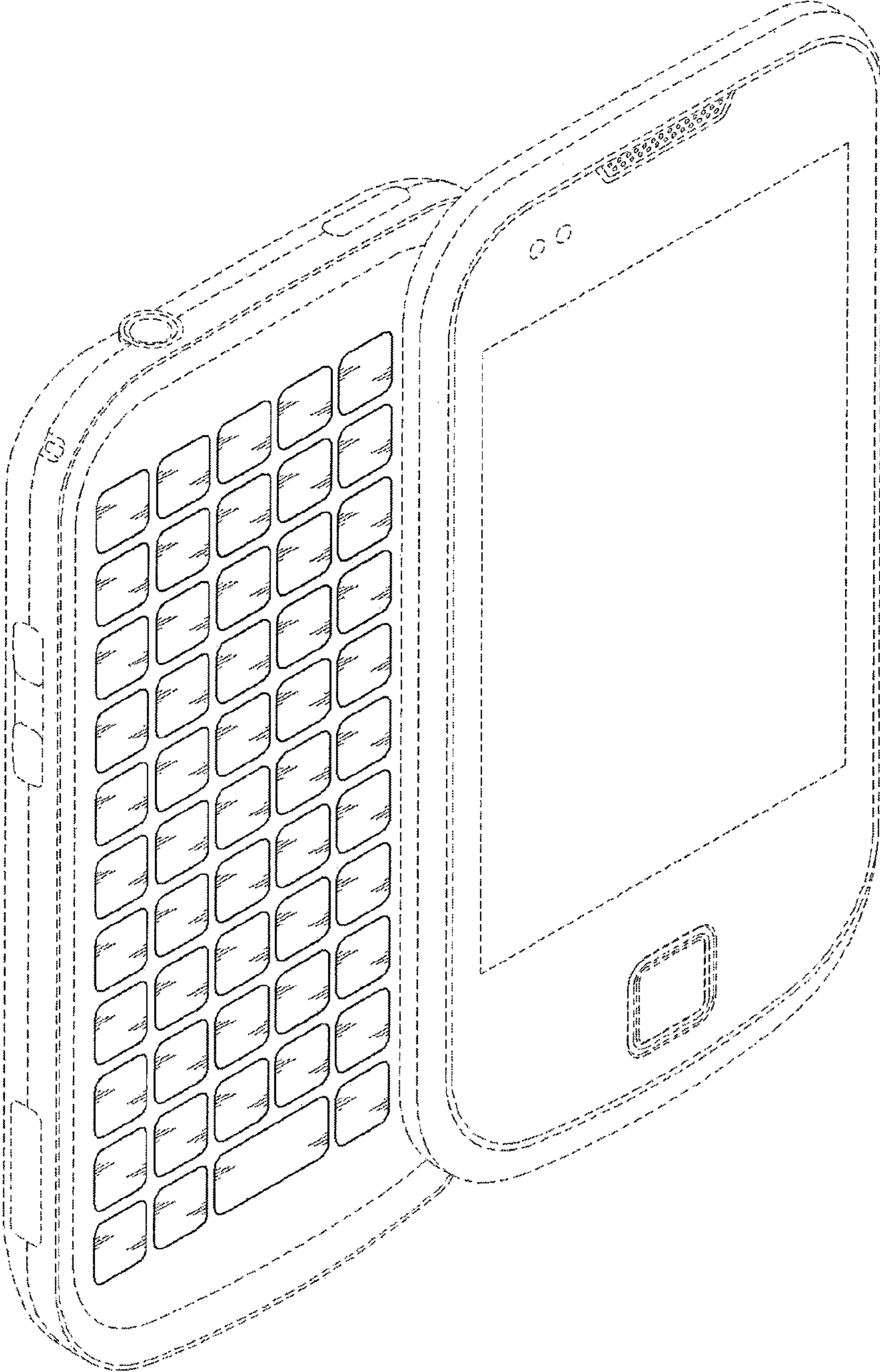


FIG. 2

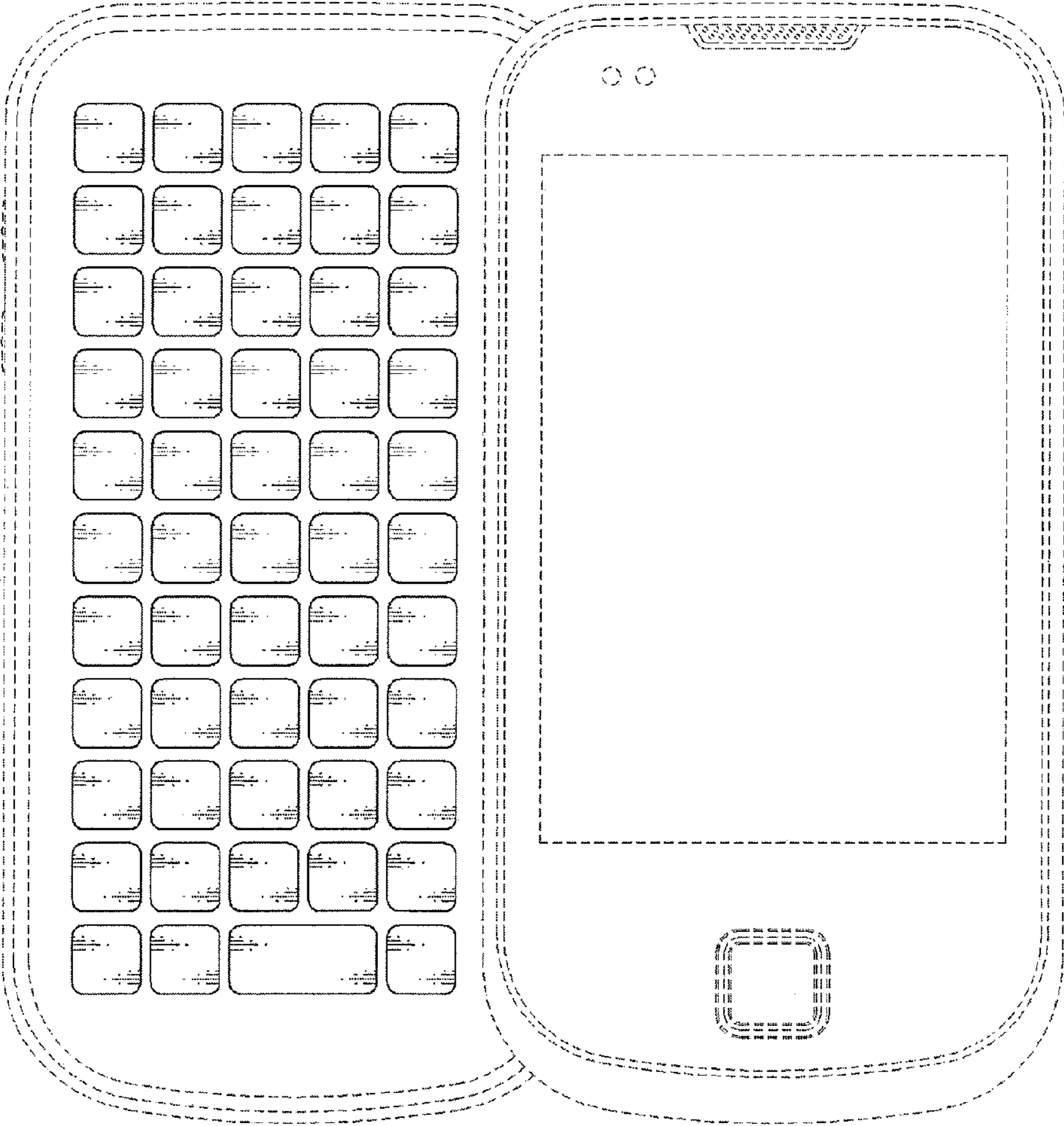


FIG. 3

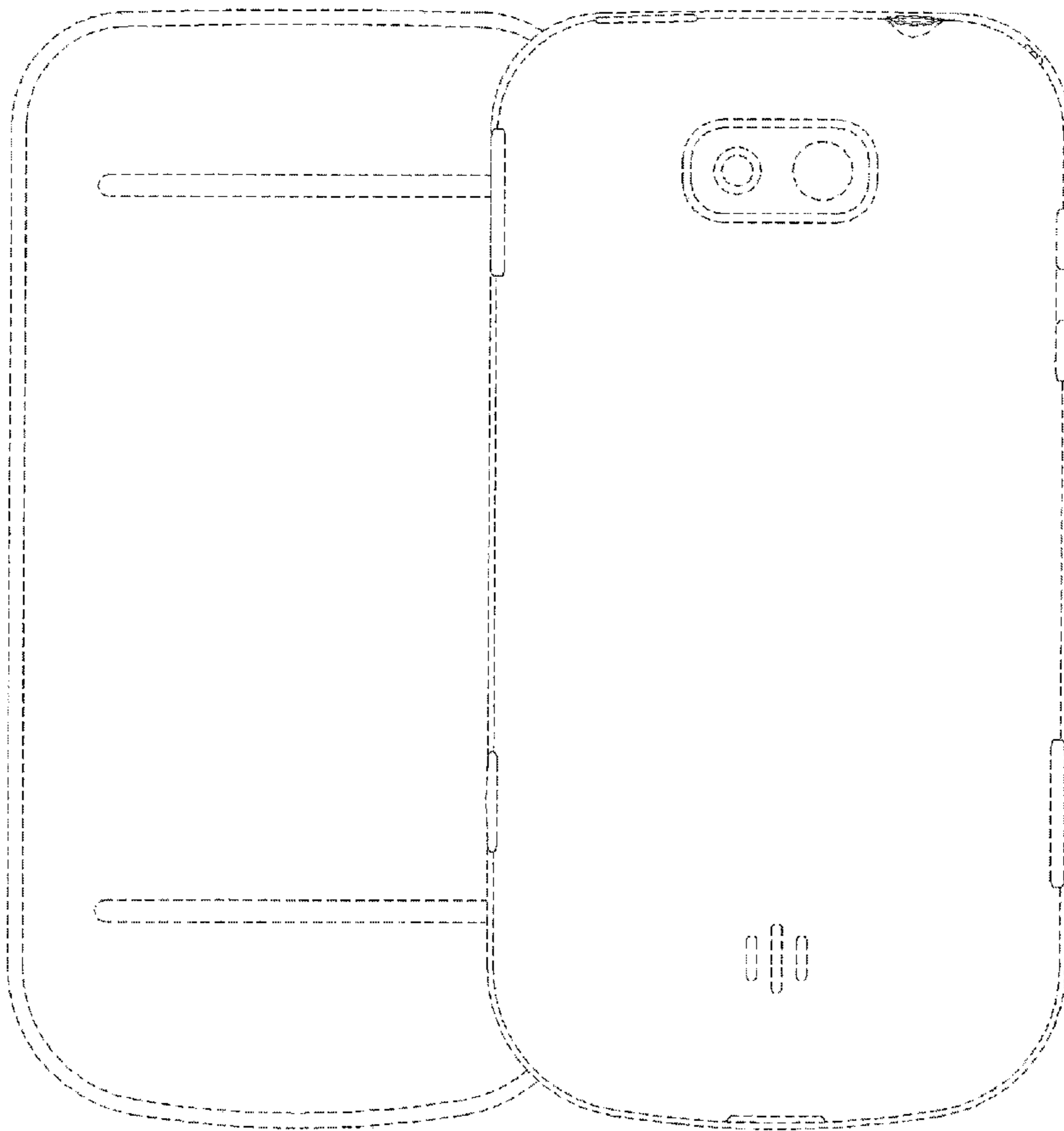


FIG. 4

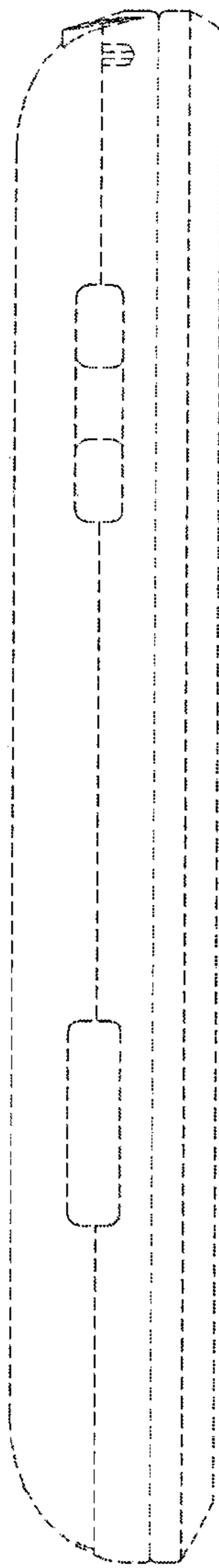


FIG. 5

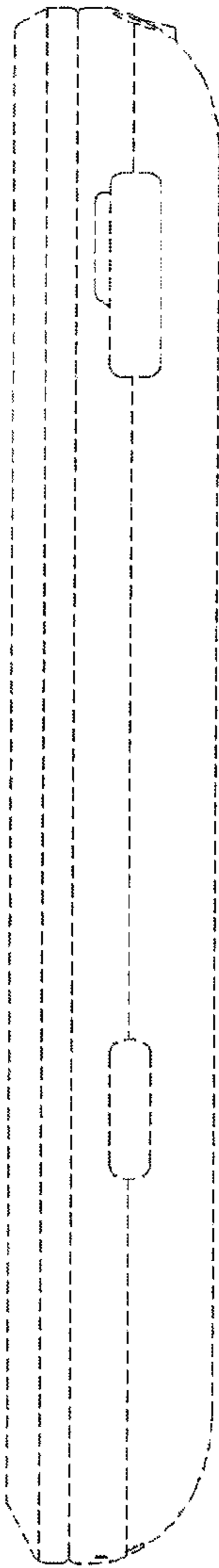


FIG. 6

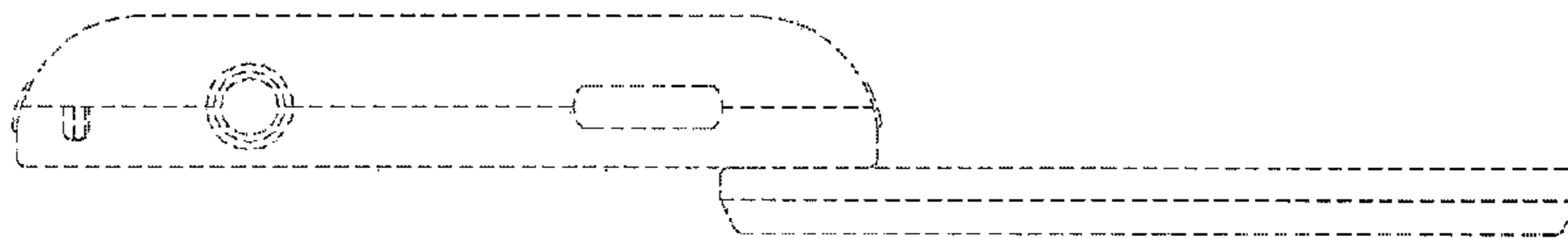


FIG. 7

