

US00D696231S

(12) **United States Design Patent**  
**Konishi**

(10) **Patent No.:** **US D696,231 S**

(45) **Date of Patent:** **\*\* Dec. 24, 2013**

(54) **ANTENNA**

(75) **Inventor:** **Shouta Konishi**, Tokyo (JP)

(73) **Assignee:** **Toshiba Tec Kabushiki Kaisha**,  
Shinagawa-ku, Tokyo (JP)

(\*\*) **Term:** **14 Years**

(21) **Appl. No.:** **29/431,196**

(22) **Filed:** **Sep. 5, 2012**

(30) **Foreign Application Priority Data**

Mar. 5, 2012 (JP) ..... 2012-004854

(51) **LOC (9) Cl.** ..... **14-03**

(52) **U.S. Cl.**  
USPC ..... **D14/230; D14/233; D14/238**

(58) **Field of Classification Search**  
USPC ..... D14/138, 230-238, 299, 358; D12/42,  
D12/43; 343/700 MS, 700 R-705, 711-713,  
343/735, 736, 741, 748, 767, 795, 819, 840,  
343/846, 866, 871-908; 455/90.2, 90.3, 91,  
455/128, 269, 344, 347, 562.1  
See application file for complete search history.

(56) **References Cited**

**U.S. PATENT DOCUMENTS**

2,505,424 A \* 4/1950 Moseley ..... 343/776  
D307,143 S \* 4/1990 Ashihara ..... D14/230  
D333,661 S \* 3/1993 Elliott et al. .... D14/236  
D357,683 S \* 4/1995 Cline et al. .... D14/234

D367,655 S \* 3/1996 Rak ..... D14/234  
D379,992 S \* 6/1997 Aldama et al. .... D14/230  
D390,566 S \* 2/1998 Martek et al. .... D14/230  
D425,512 S \* 5/2000 Waldner ..... D14/230  
D516,060 S \* 2/2006 Wu ..... D14/230  
D534,163 S \* 12/2006 Yun et al. .... D14/230  
D546,322 S \* 7/2007 Cislo et al. .... D14/230  
D557,260 S \* 12/2007 Westerling et al. .... D14/230  
D585,883 S \* 2/2009 Kaneko ..... D14/230  
D592,088 S \* 5/2009 Miller ..... D10/114.8  
D601,053 S \* 9/2009 Ferrie et al. .... D10/114.8  
D611,460 S \* 3/2010 Chao ..... D14/230  
D634,308 S \* 3/2011 Bliss et al. .... D14/233  
D643,025 S \* 8/2011 Podduturi ..... D14/230  
D671,921 S \* 12/2012 Beall et al. .... D14/230  
2005/0110649 A1 \* 5/2005 Fredericks et al. .... 340/815.45

\* cited by examiner

*Primary Examiner* — John Windmuller

(74) *Attorney, Agent, or Firm* — Ohlandt, Greeley, Ruggiero  
& Perle, L.L.P.

(57) **CLAIM**

The ornamental design for an antenna, as shown.

**DESCRIPTION**

FIG. 1 is a perspective view of an antenna, showing my new design;

FIG. 2 is a front elevational view thereof;

FIG. 3 is a rear elevational view thereof;

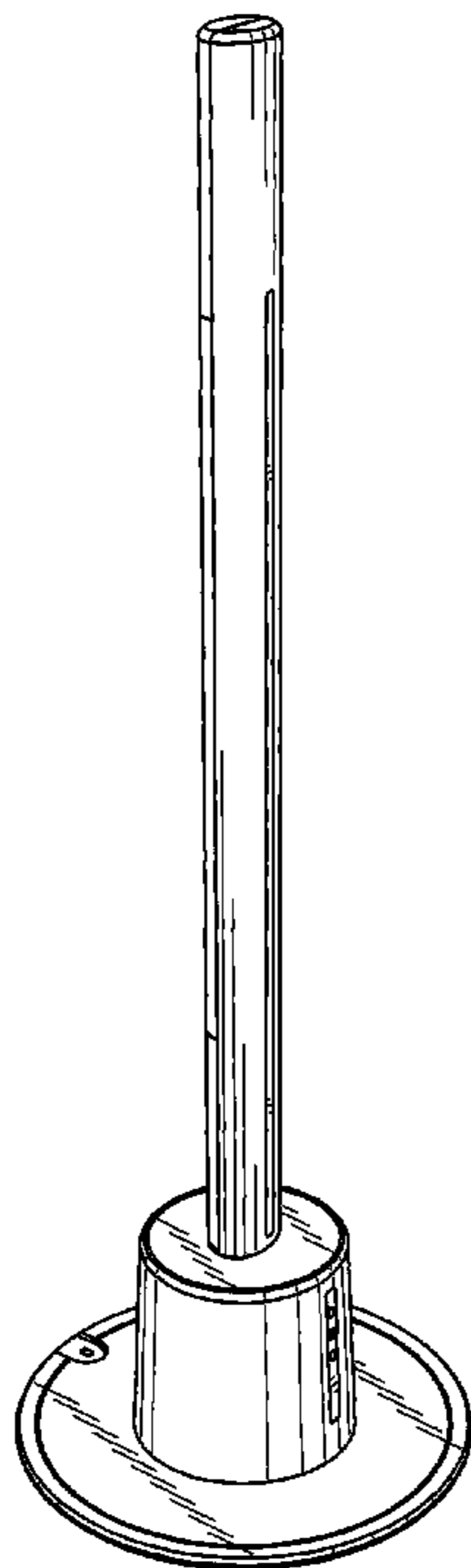
FIG. 4 is a left side elevational view thereof;

FIG. 5 is a right side elevational view thereof;

FIG. 6 is a top plan view thereof; and,

FIG. 7 is a bottom plan view thereof.

**1 Claim, 4 Drawing Sheets**



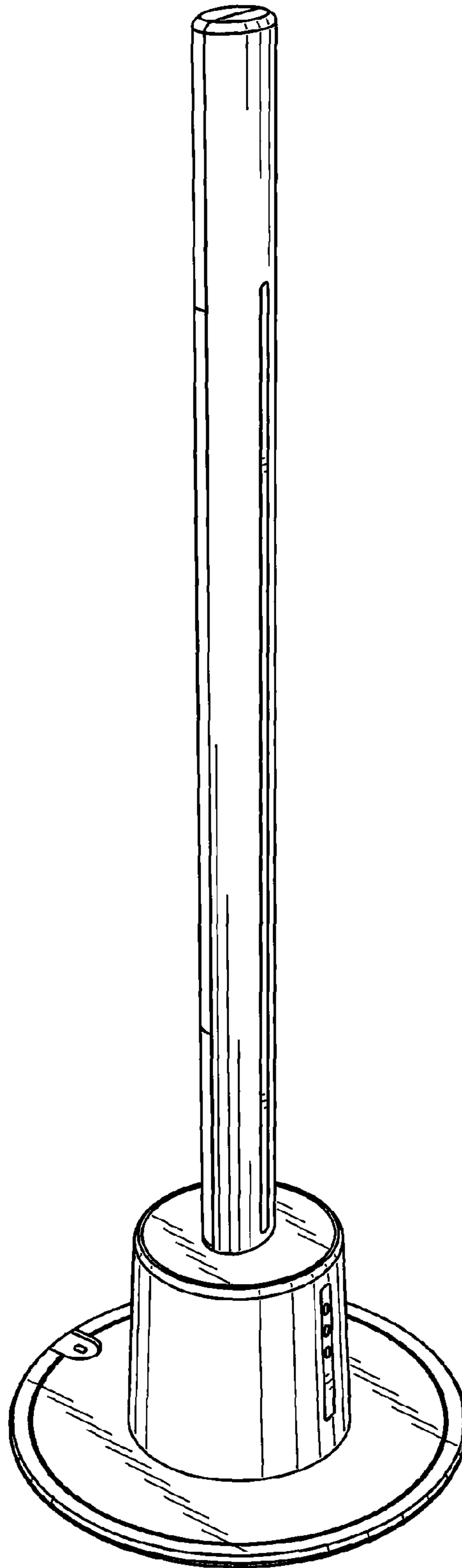


FIG. 1

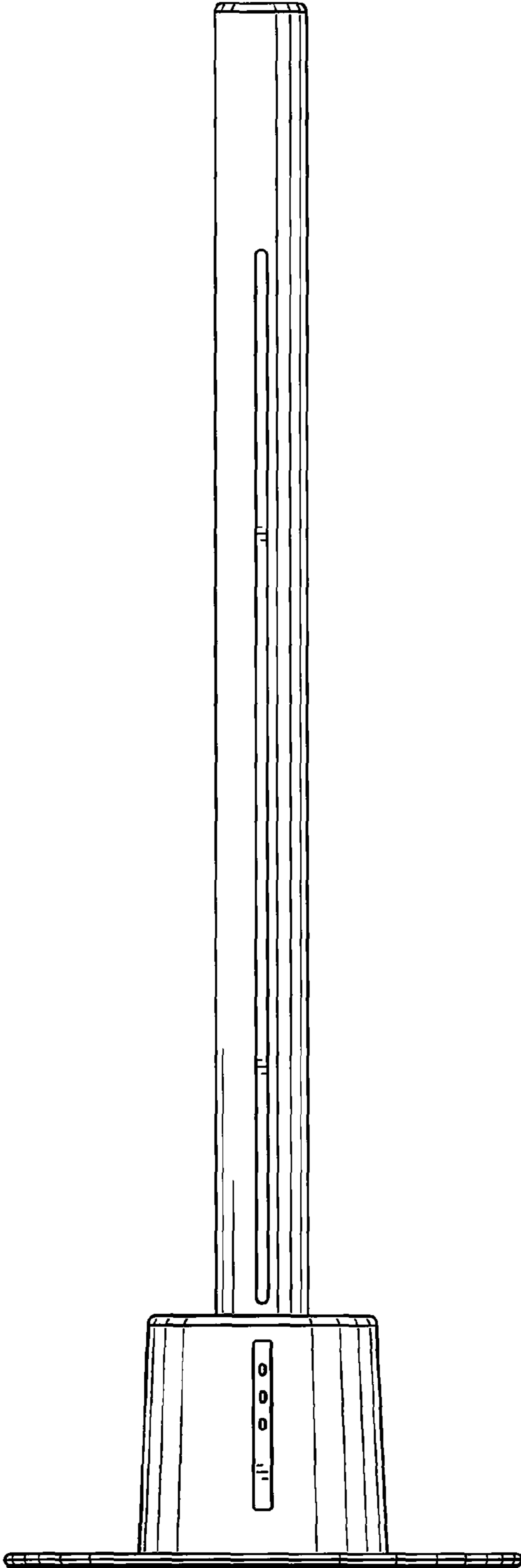


FIG.2

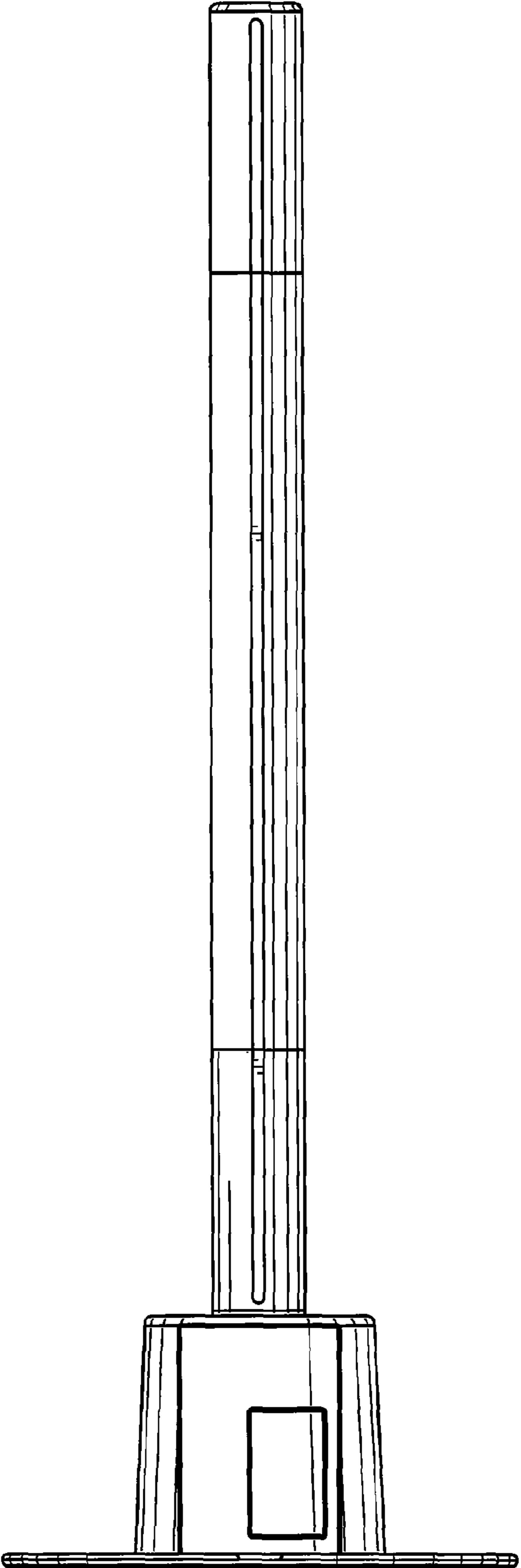


FIG.3

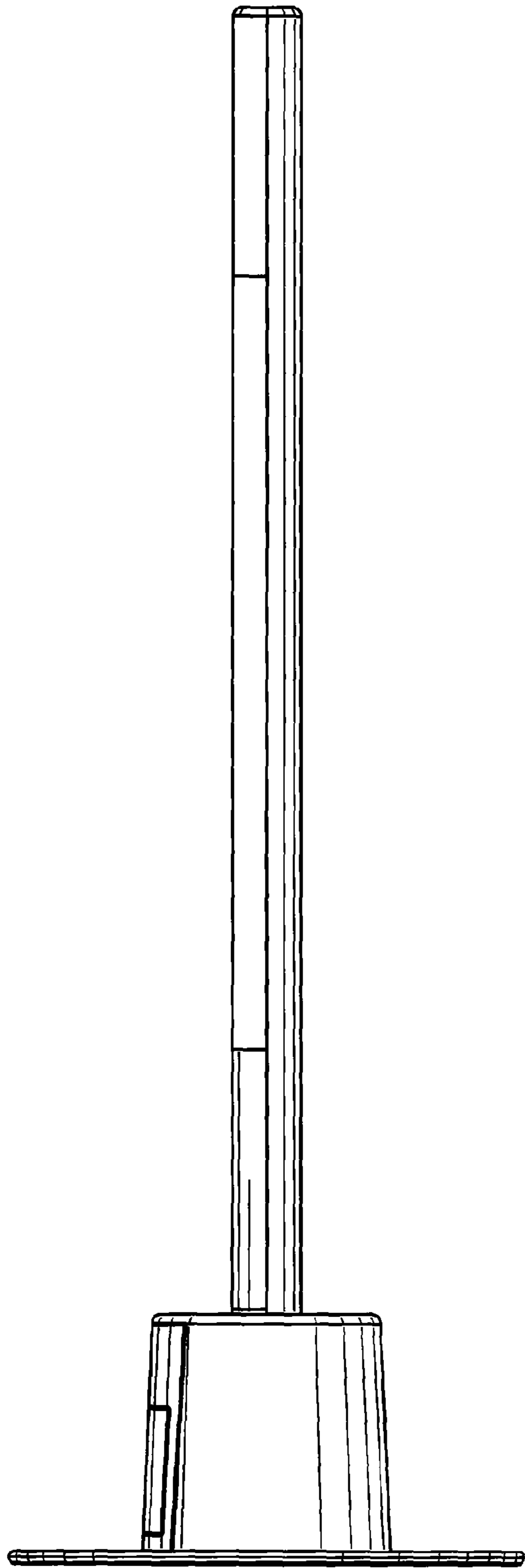


FIG. 4

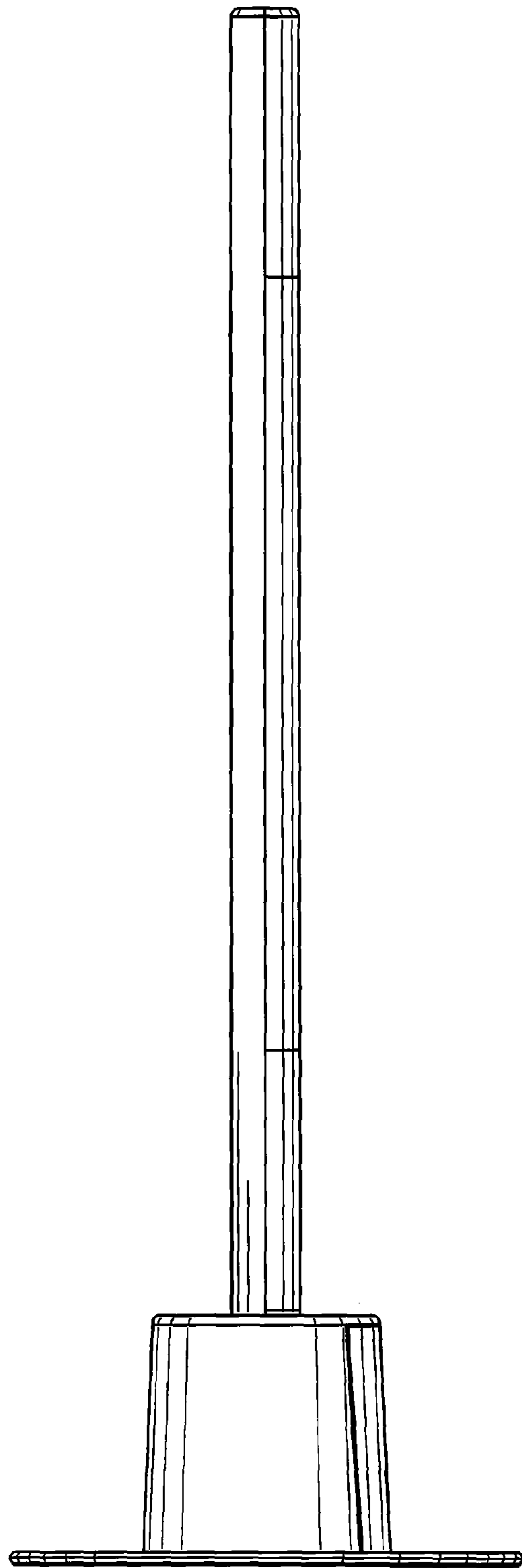


FIG. 5

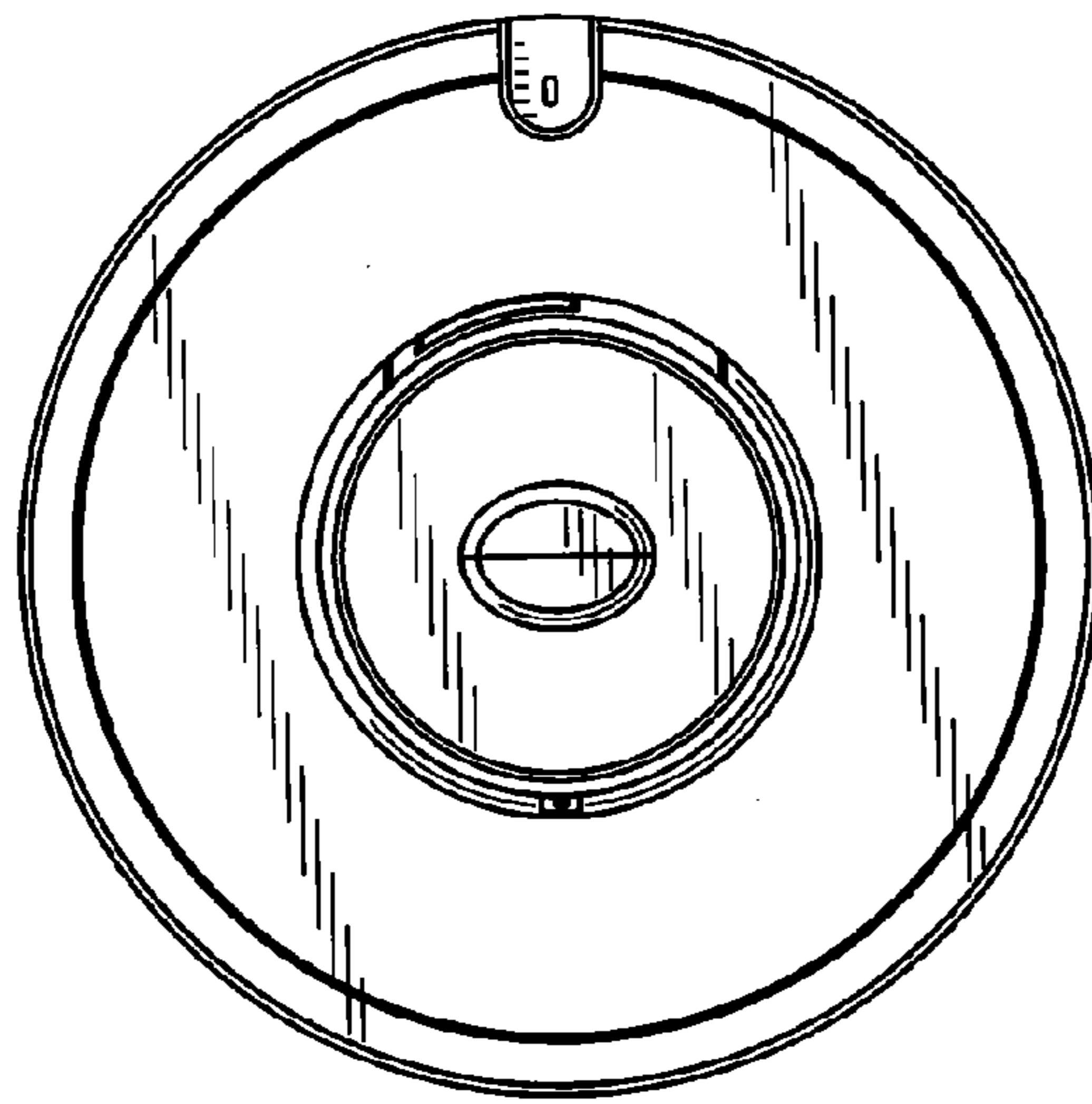


FIG.6

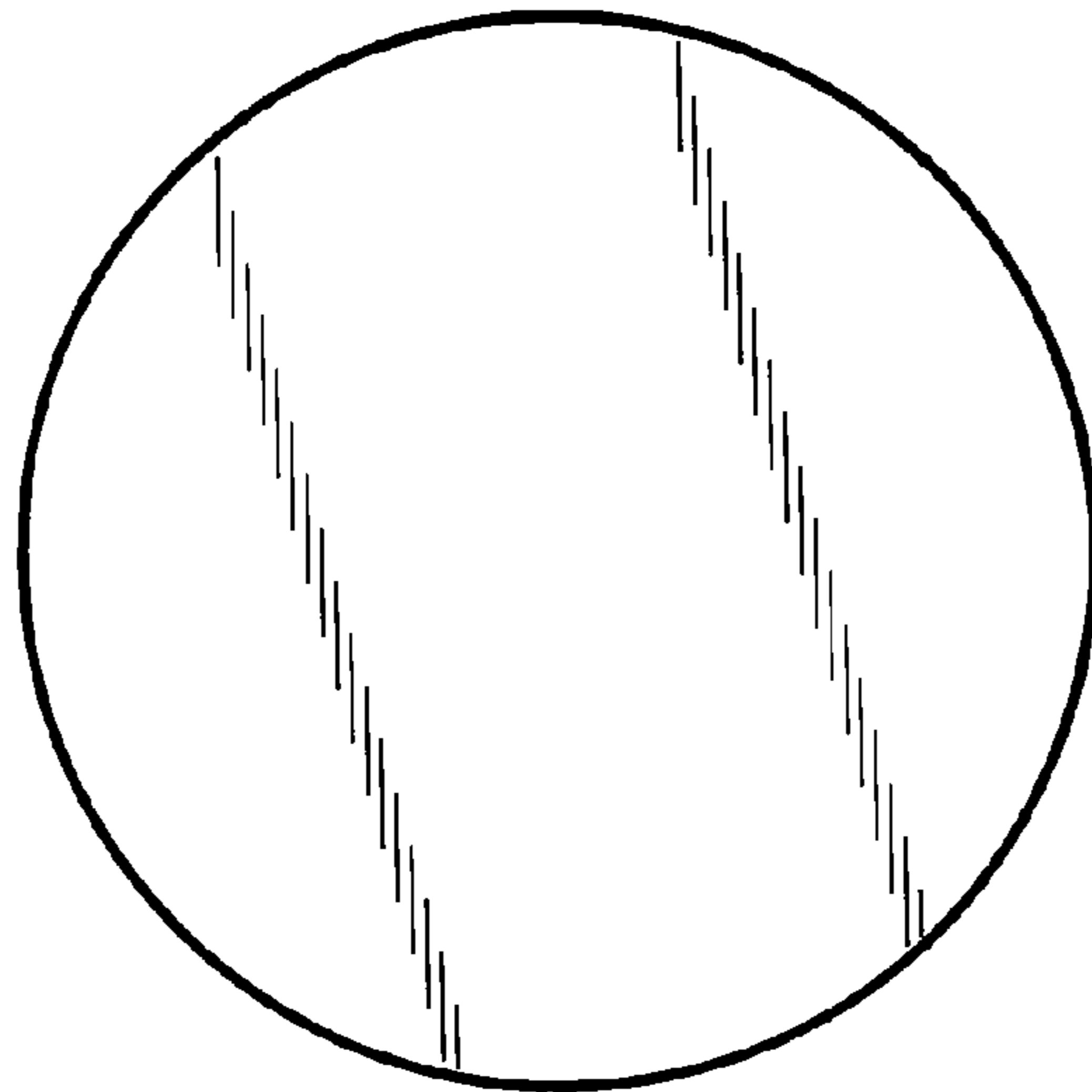


FIG.7