

US00D696229S

(12) **United States Design Patent**
LoRusso et al.

(10) **Patent No.:** **US D696,229 S**
(45) **Date of Patent:** **** Dec. 24, 2013**

(54) **SELF-RETAINING COMMUNICATION
DEVICE**

(75) Inventors: **Joseph P. LoRusso**, Fort Collins, CO
(US); **Connor J. Tobin**, Fort Collins, CO
(US)

(73) Assignee: **Inverted Innovations, Ltd.**, Fort
Collins, CO (US)

(**) Term: **14 Years**

(21) Appl. No.: **29/413,303**

(22) Filed: **Feb. 14, 2012**

(51) **LOC (9) Cl.** **14-01**

(52) **U.S. Cl.**
USPC **D14/206**

(58) **Field of Classification Search**
USPC D14/205, 206, 223; D29/112; 2/209;
181/129, 130, 135; 379/430, 431;
381/380, 381, 374, 379, 370, 371;
455/90.3, 575.2

See application file for complete search history.

(56) **References Cited**

U.S. PATENT DOCUMENTS

3,454,964	A	*	7/1969	Brinkhoff	2/209
3,579,640	A	*	5/1971	Beguín et al.	2/209
D222,361	S	*	10/1971	Hart	D14/205
D254,616	S	*	4/1980	Tabata	D14/205
4,727,585	A	*	2/1988	Flygstad	381/379
D301,145	S	*	5/1989	Besasie et al.	D14/205

D317,767	S	*	6/1991	Banks	D14/205
D328,461	S	*	8/1992	Daido et al.	D14/205
D337,115	S	*	7/1993	Yamazaki et al.	D14/205
D351,172	S	*	10/1994	Nakamura et al.	D14/205
D377,174	S	*	1/1997	Runquist	D14/206
D566,688	S	*	4/2008	Wang	D14/206
D566,689	S	*	4/2008	Wang	D14/206
D592,639	S	*	5/2009	Kuh et al.	D14/205
D613,266	S	*	4/2010	Barry et al.	D14/205
D672,745	S	*	12/2012	Abed et al.	D14/205

* cited by examiner

Primary Examiner — Paula Greene

(74) *Attorney, Agent, or Firm* — Paul M. Thompson;
Cochran Freund & Young LLC

(57) **CLAIM**

The ornamental design for a self-retaining communication device, as shown and described.

DESCRIPTION

FIG. 1 is an isometric view of a self-retaining communication device showing our new design, the opposite interior of the ear cup is a mirror image of the interior of the ear cup that is shown.

FIG. 2 is a top plan view thereof.

FIG. 3 is a bottom plan view thereof.

FIG. 4 is a right side elevation view thereof.

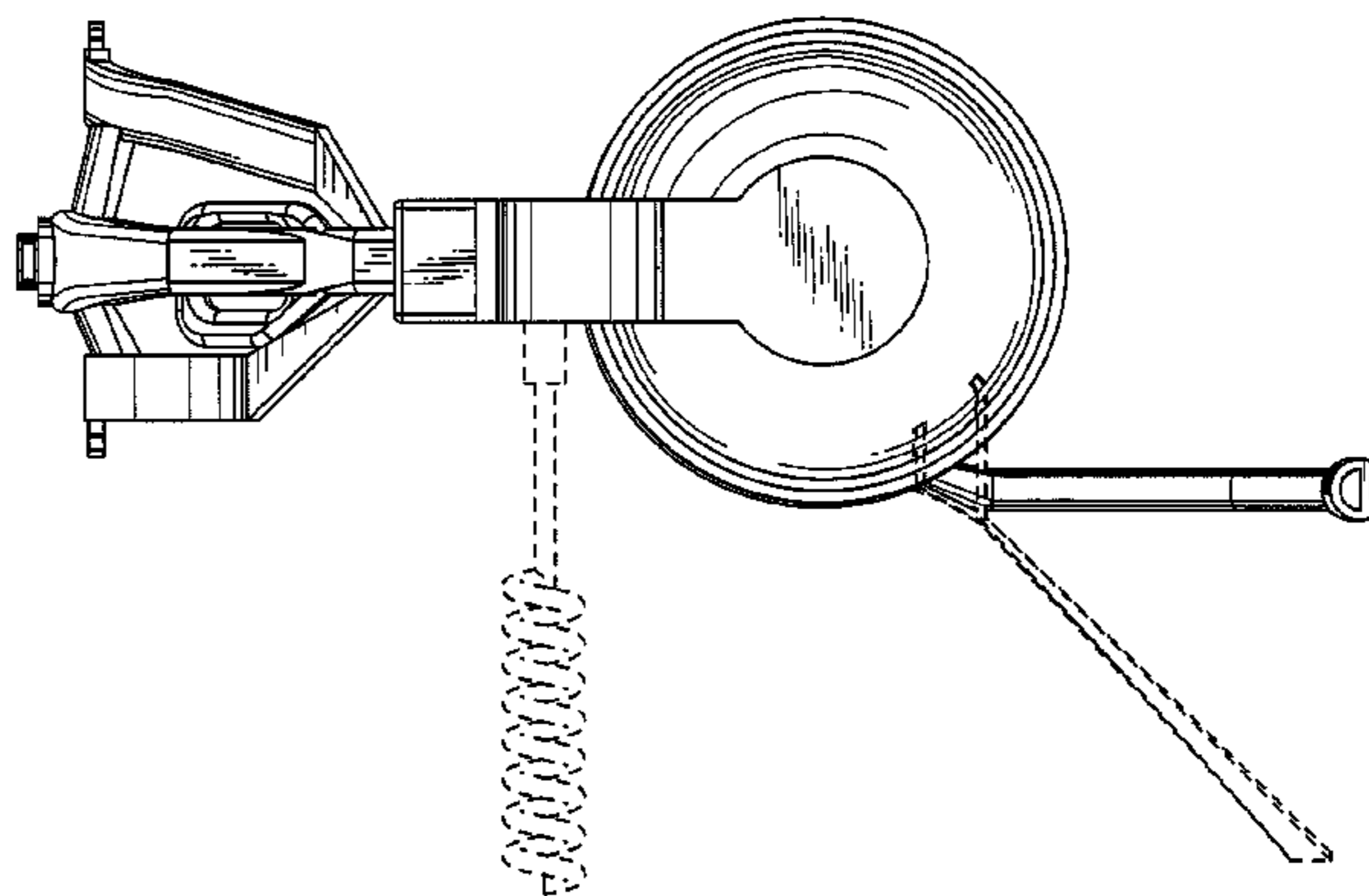
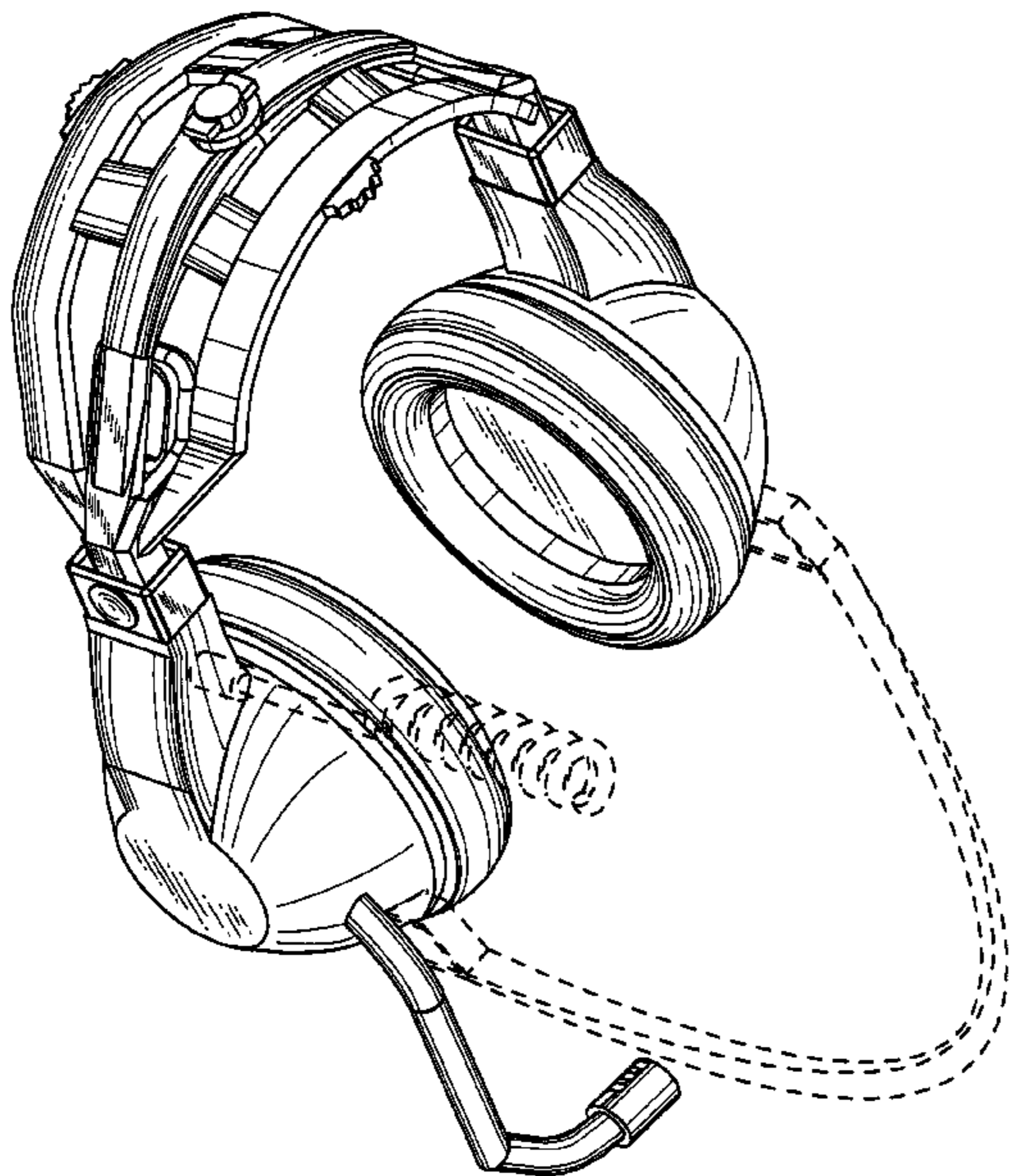
FIG. 5 is a left side elevation view thereof.

FIG. 6 is a rear elevation view thereof; and,

FIG. 7 is a front elevation view thereof.

The broken lines in FIGS. 1-7 depict a portion of the device that forms no part of the claimed design.

1 Claim, 7 Drawing Sheets



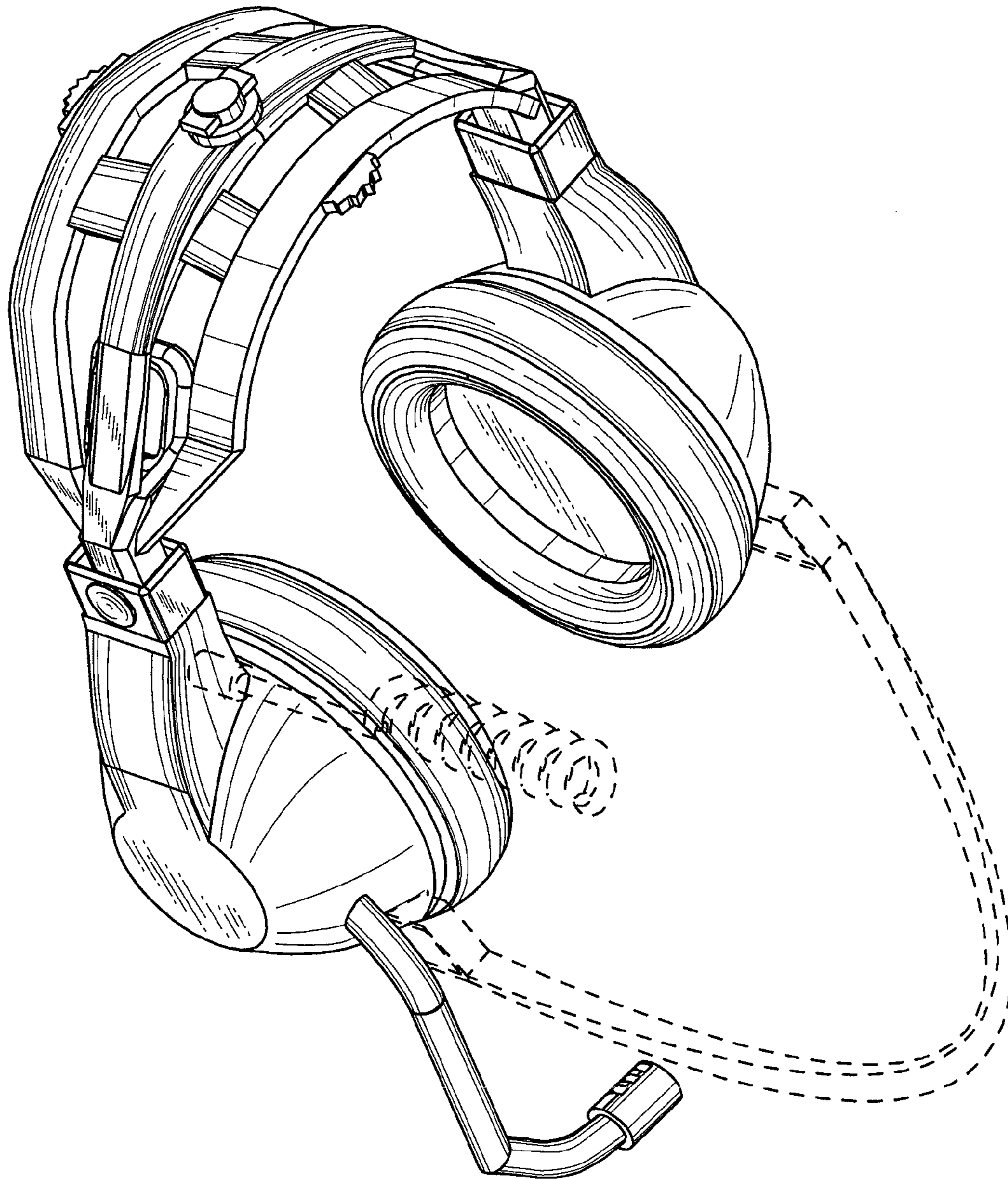


FIG. 1

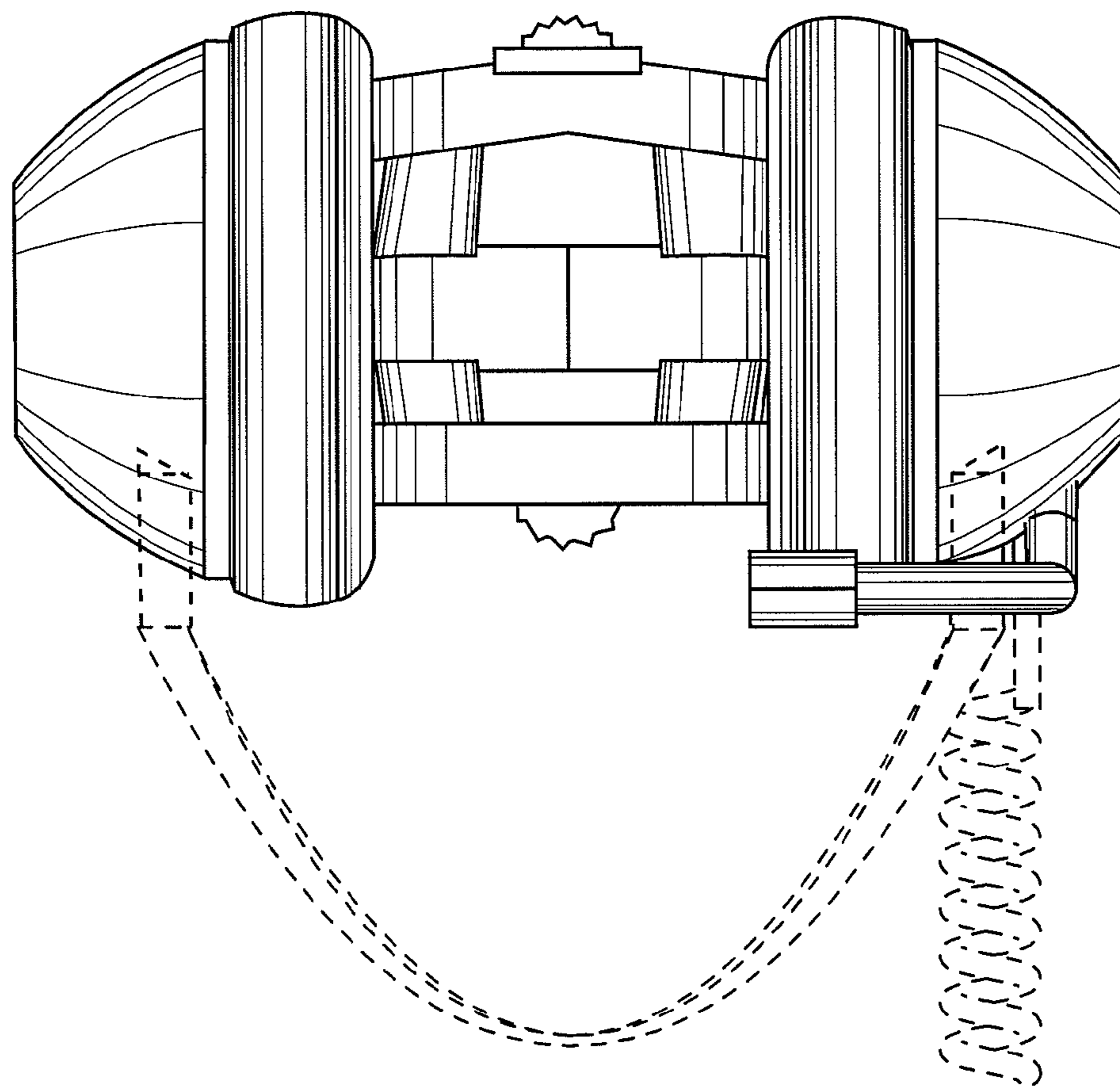


FIG. 2

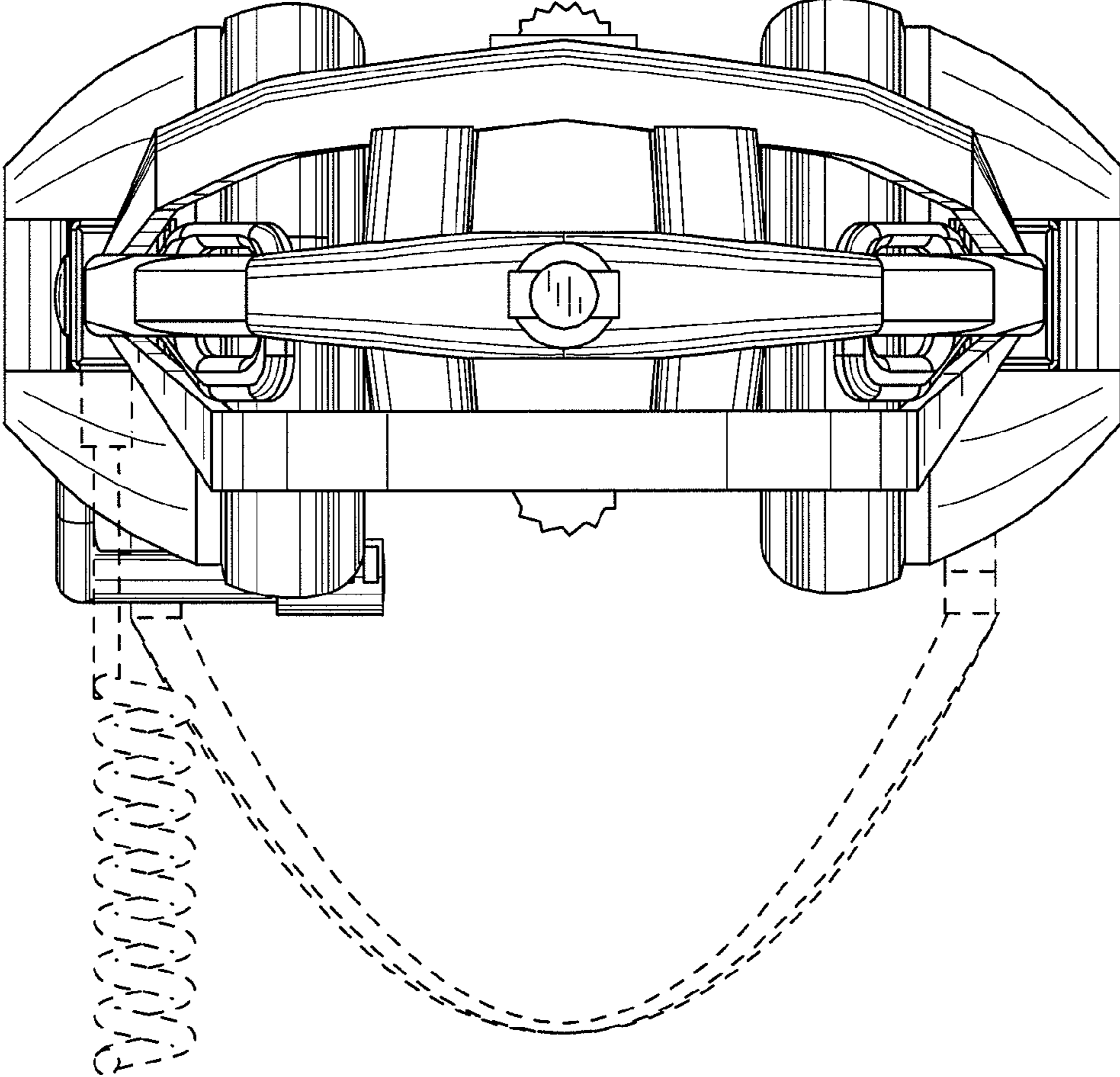


FIG. 3

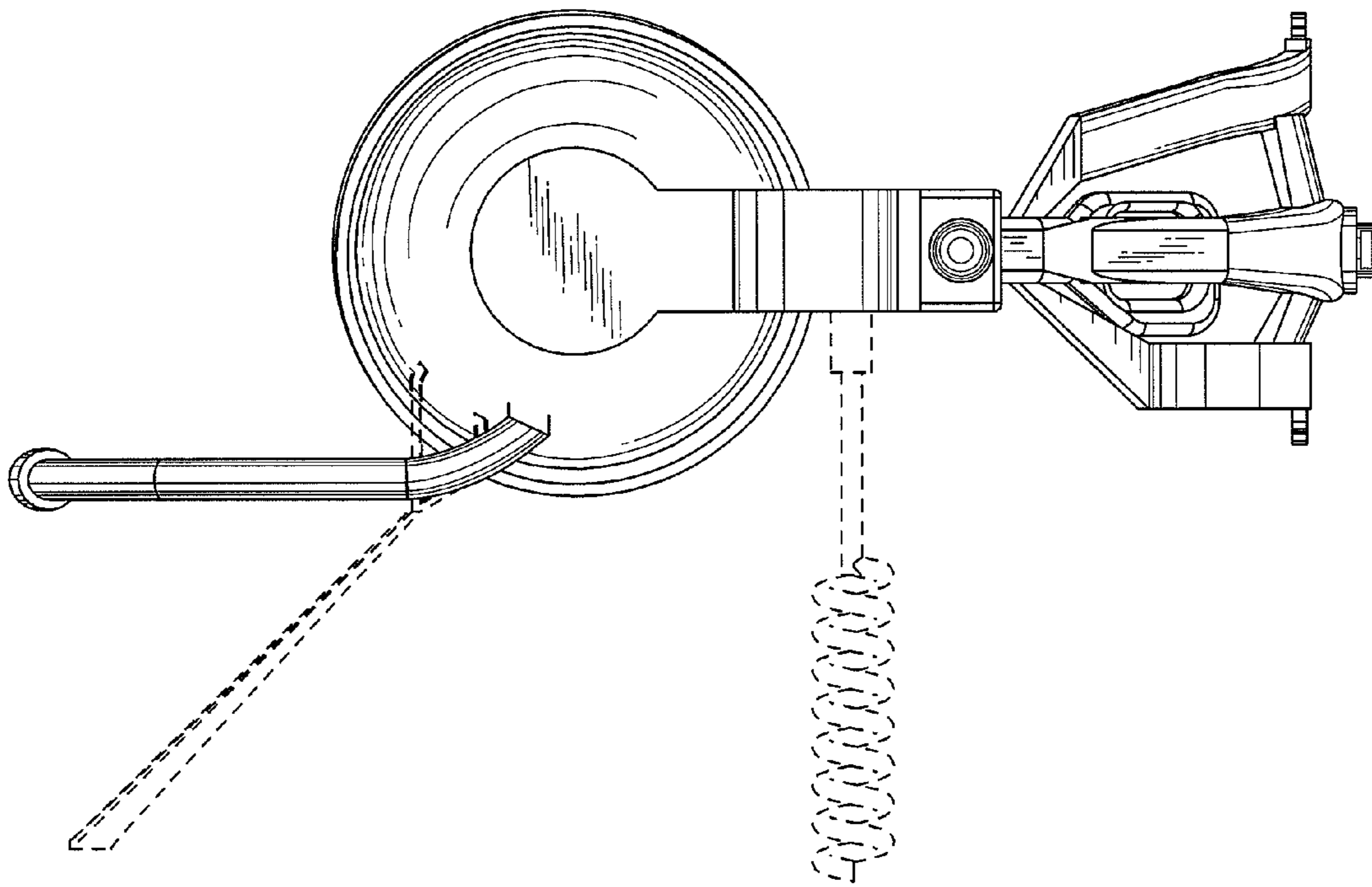


FIG. 4

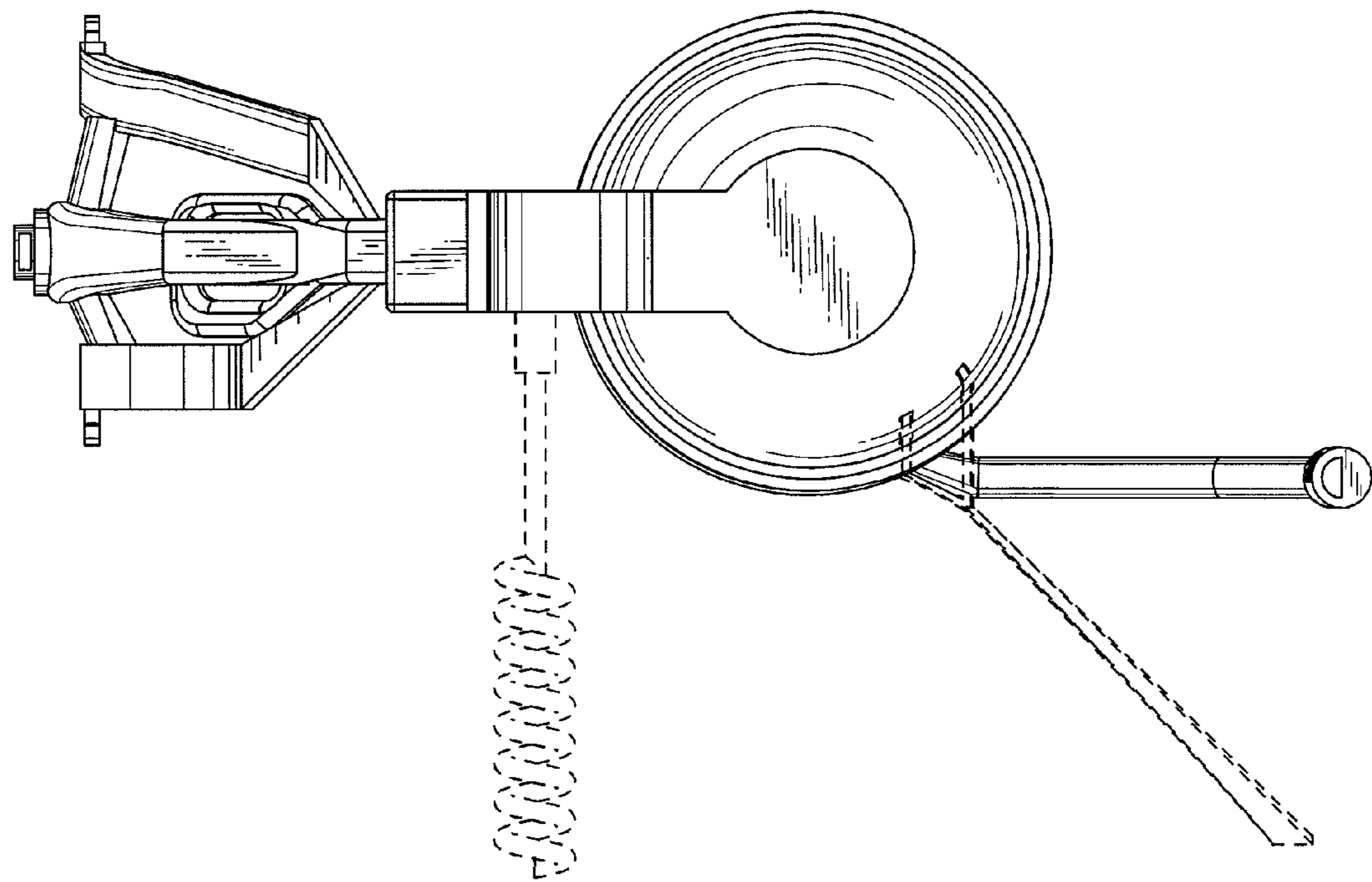


FIG. 5

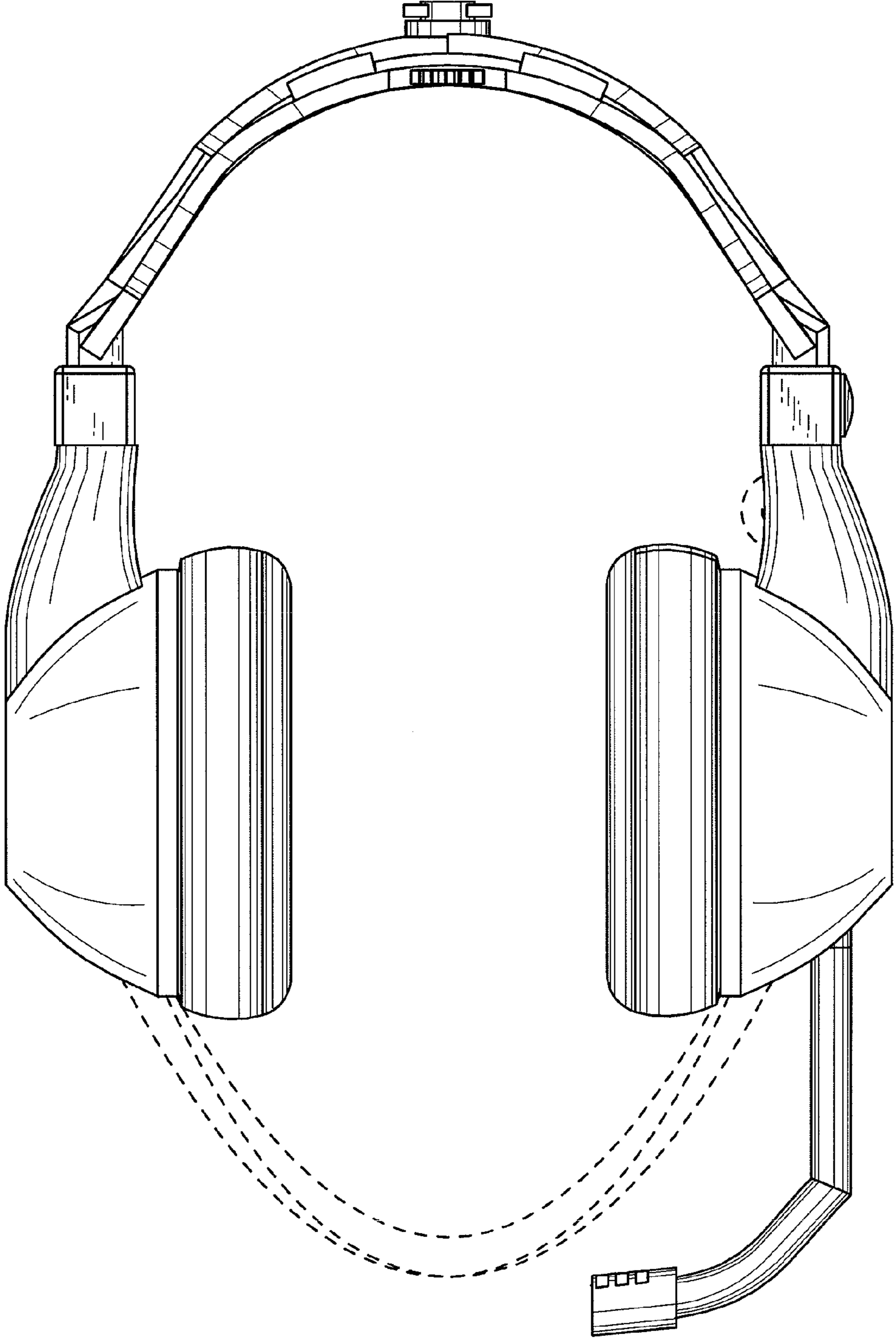


FIG. 6

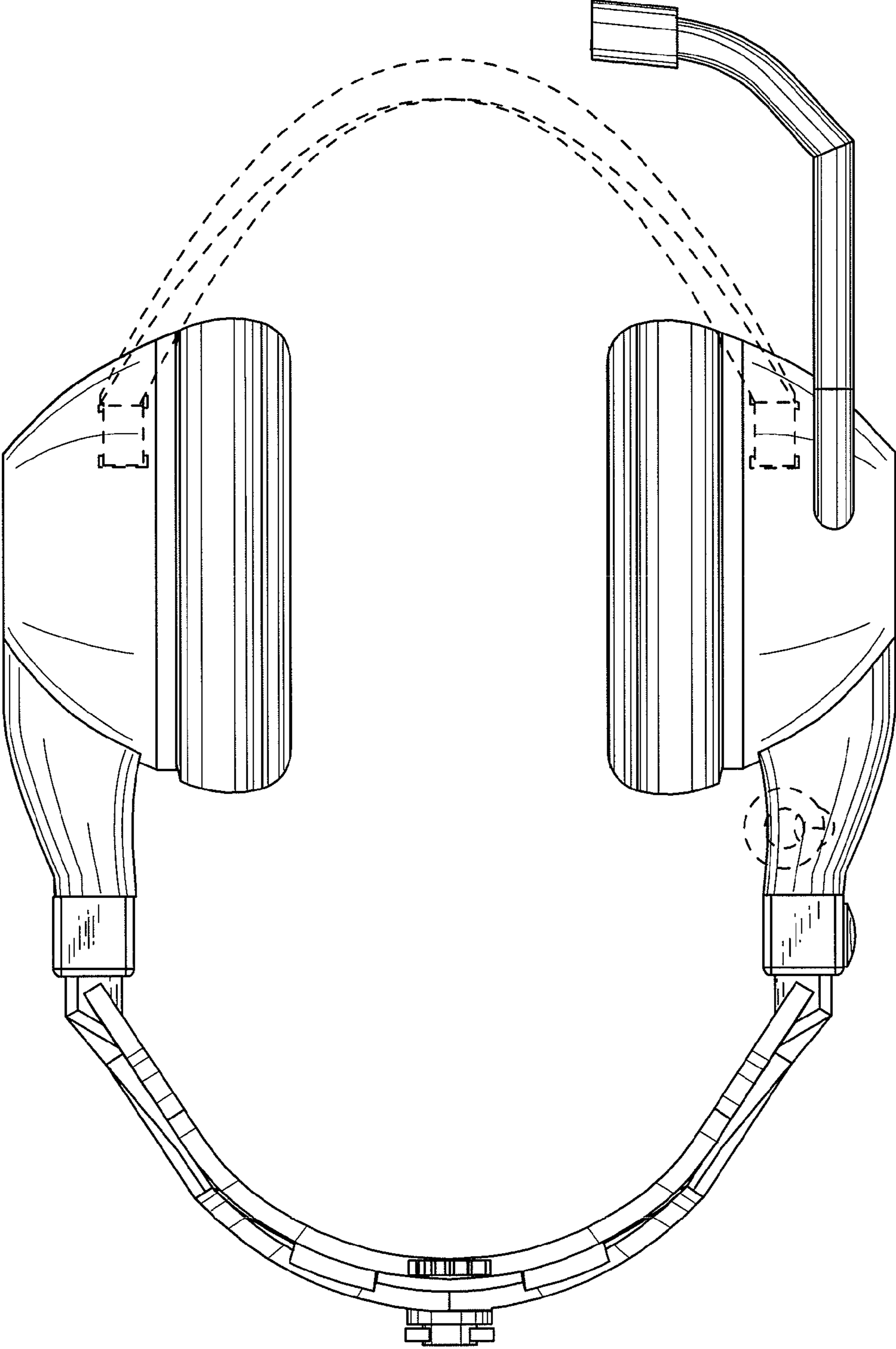


FIG. 7