

US00D696228S

(12) **United States Design Patent**
Miyake et al.

(10) **Patent No.:** **US D696,228 S**

(45) **Date of Patent:** **** Dec. 24, 2013**

(54) **HEADPHONE**

(71) Applicant: **Yamaha Corporation**, Hamamatsu (JP)

(72) Inventors: **Kazushige Miyake**, Tokyo (JP);
Mitsuru Hosoo, Tokyo (JP)

(73) Assignee: **Yamaha Corporation**, Shizuoka (JP)

(**) Term: **14 Years**

(21) Appl. No.: **29/454,628**

(22) Filed: **May 13, 2013**

Related U.S. Application Data

(63) Continuation of application No. 29/417,286, filed on Apr. 2, 2012, now Pat. No. Des. 684,139.

(30) **Foreign Application Priority Data**

Dec. 28, 2011 (JP) 2011-030493

(51) **LOC (9) Cl.** **14-01**

(52) **U.S. Cl.**
USPC **D14/205**

(58) **Field of Classification Search**
USPC D14/205; D29/112; 2/209; 181/129,
181/130, 135; 379/430, 431; 381/380, 381;
455/90.3, 575.1

See application file for complete search history.

(56) **References Cited**

U.S. PATENT DOCUMENTS

D263,043 S * 2/1982 Petrie D14/205
D345,162 S * 3/1994 Yamatogi D14/205
D351,172 S 10/1994 Nakamura et al.
5,835,609 A * 11/1998 LeGette et al. 381/385
D449,034 S * 10/2001 Weikel et al. D14/205
6,332,223 B1 * 12/2001 Le Gette et al. 2/209
D512,981 S * 12/2005 Jacobson et al. D14/205

7,072,483 B2 * 7/2006 Lenhard-Backhaus 381/383
D552,077 S * 10/2007 Brunner et al. D14/205
D563,382 S * 3/2008 Wikel D14/205
7,424,125 B2 * 9/2008 Amae et al. 381/374
D585,870 S * 2/2009 Zheng et al. D14/205
D603,371 S * 11/2009 Boateng et al. D14/205
7,668,330 B2 * 2/2010 Siskin et al. 381/334
D617,769 S * 6/2010 Birger D14/205
D625,705 S * 10/2010 Ohori et al. D14/205
D632,668 S * 2/2011 Brunner et al. D14/205
D635,959 S * 4/2011 Hutchieson D14/205
D652,406 S * 1/2012 Lee et al. D14/205
D654,472 S * 2/2012 Fischer D14/206
D656,480 S * 3/2012 McManigal et al. D14/205

(Continued)

FOREIGN PATENT DOCUMENTS

JP D948267 S 3/1996
JP D1059025 S 1/2000

(Continued)

Primary Examiner — Paula Greene

(74) *Attorney, Agent, or Firm* — Sughrue Mion, PLLC

(57) **CLAIM**

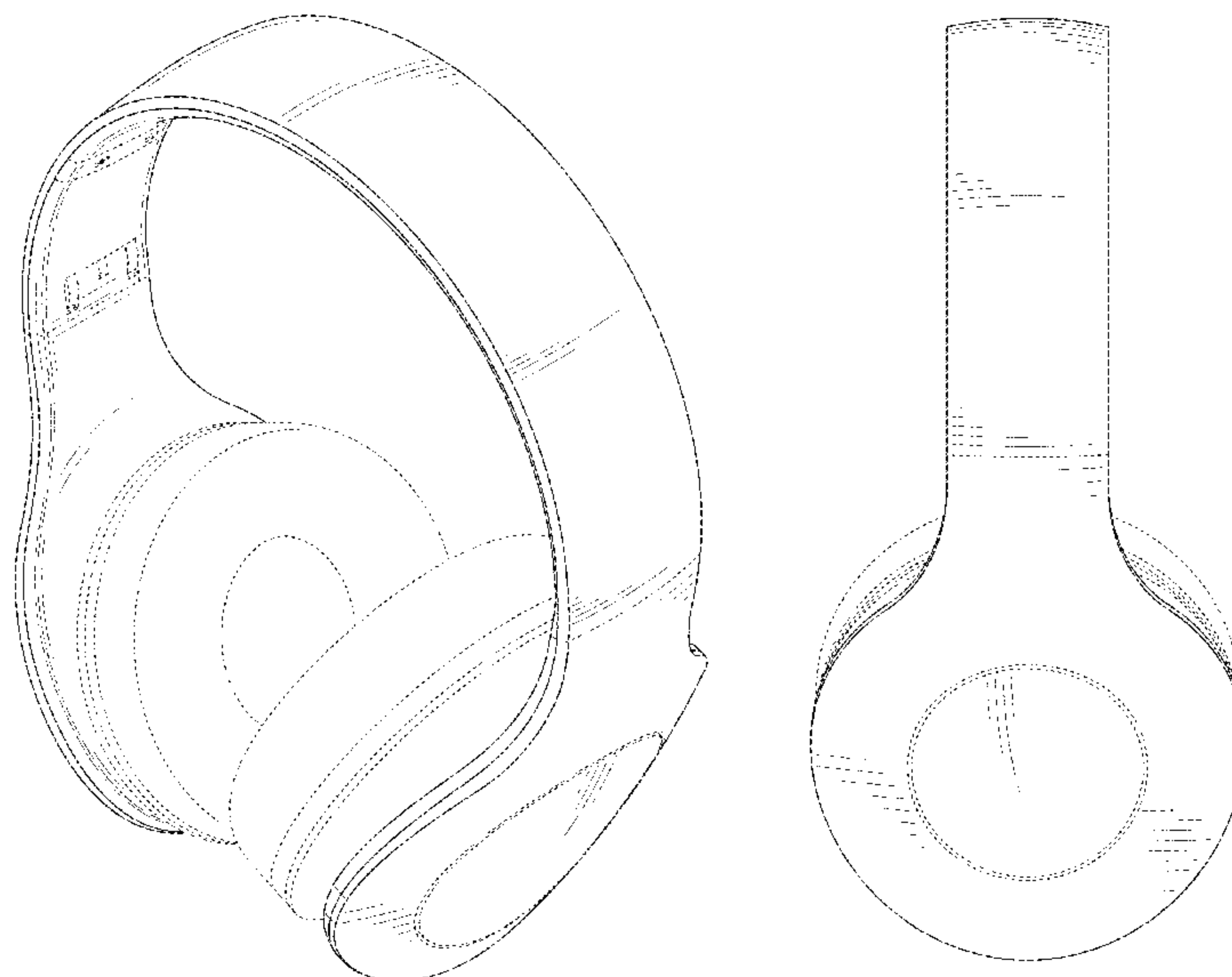
The ornamental design for a headphone, as shown and described.

DESCRIPTION

FIG. 1 is a front perspective view of a headphone showing our new design, the opposite perspective view is a mirror image; FIG. 2 is a front view thereof, the rear being a mirror image; FIG. 3 is a right side view thereof, the left side being a mirror image; FIG. 4 is a top plan view thereof; and, FIG. 5 is a bottom view thereof.

The broken line showing of the headphone is included for the purpose of illustrating portions of the headphone and forms no part of the claimed design.

1 Claim, 4 Drawing Sheets



(56)

References Cited

D684,139 S * 6/2013 Miyake et al. D14/205

U.S. PATENT DOCUMENTS

FOREIGN PATENT DOCUMENTS

D657,344 S 4/2012 Brunner et al.
D660,823 S 5/2012 Hardi et al.
D660,824 S 5/2012 Hardi et al.
D663,716 S * 7/2012 Hardi et al. D14/205
D664,114 S * 7/2012 Tsuchiya D14/205
D664,117 S 7/2012 Tappeiner et al.
D666,991 S 9/2012 Lee et al.
D669,451 S 10/2012 Tappeiner et al.
D673,520 S * 1/2013 Tan D14/205
D683,329 S * 5/2013 Hagelin D14/205
D683,715 S * 6/2013 Triato et al. D14/204

JP D1074973 S 6/2000
JP D1083886 S 9/2000
JP D1084069 S 9/2000
JP D1352178 S 3/2009
JP D1382922 S 3/2010
JP D1396702 S 9/2010
JP D1398291 S 10/2010
JP D1406347 S 1/2011
JP D1454833 S 11/2012

* cited by examiner

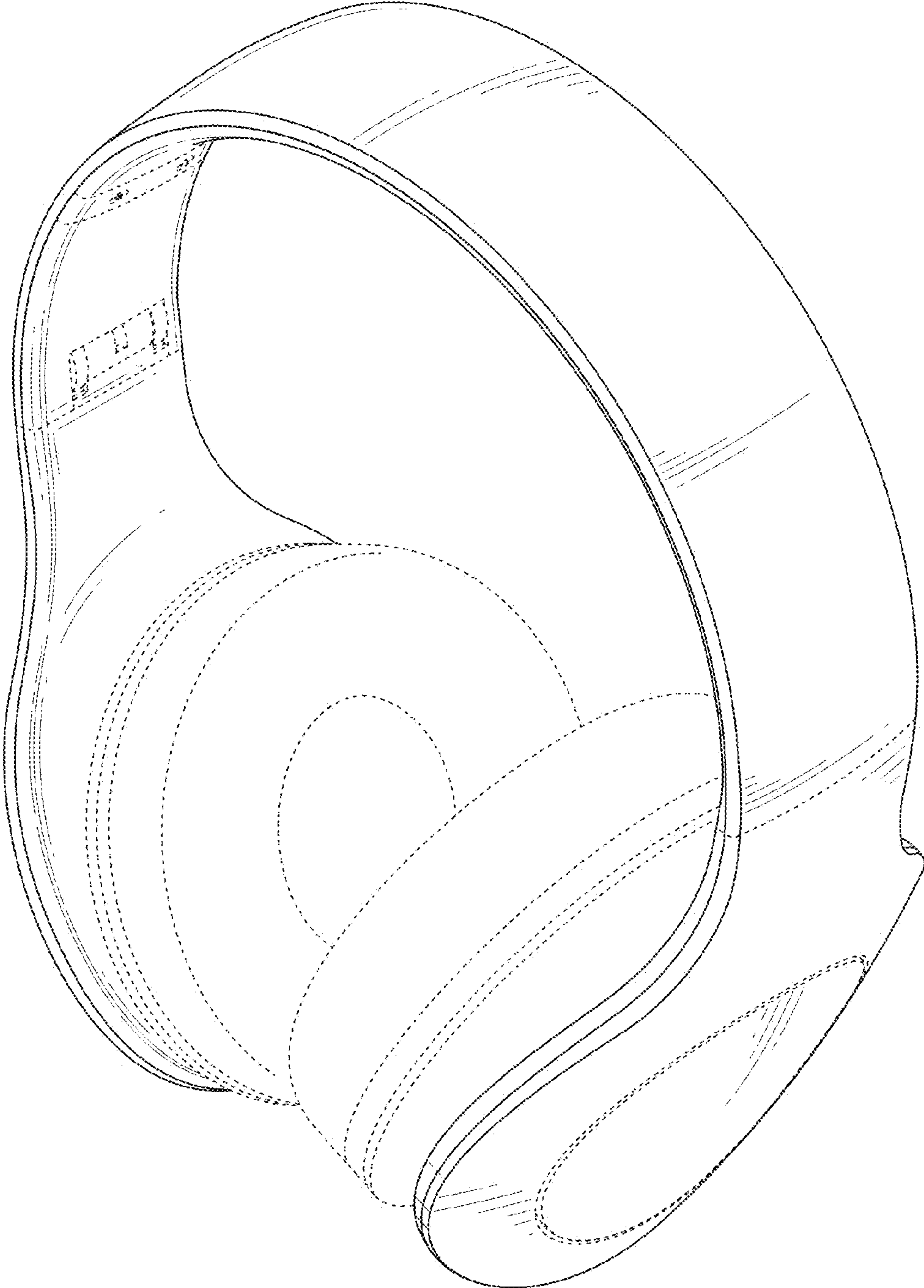


FIG. 1

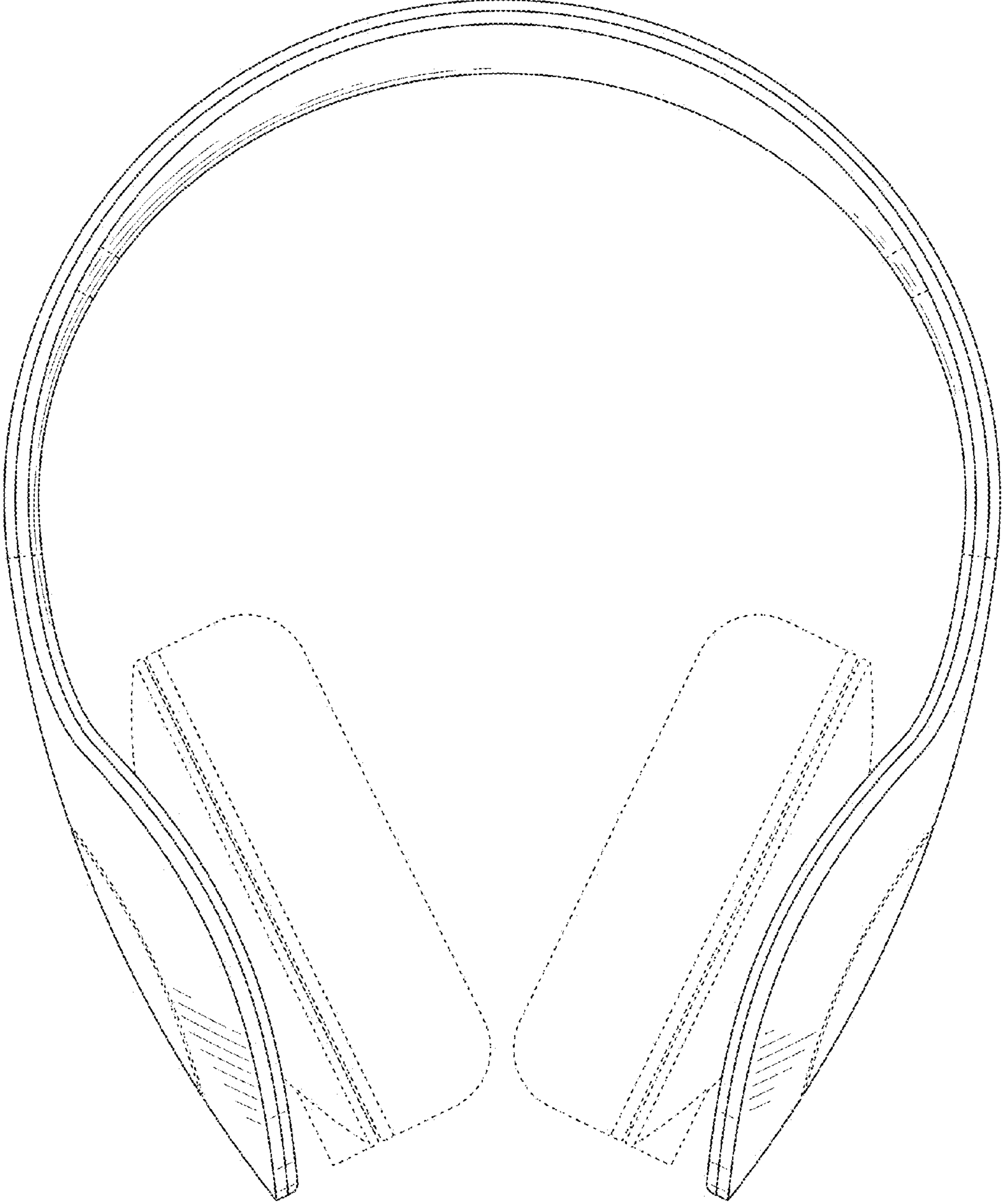


FIG. 2

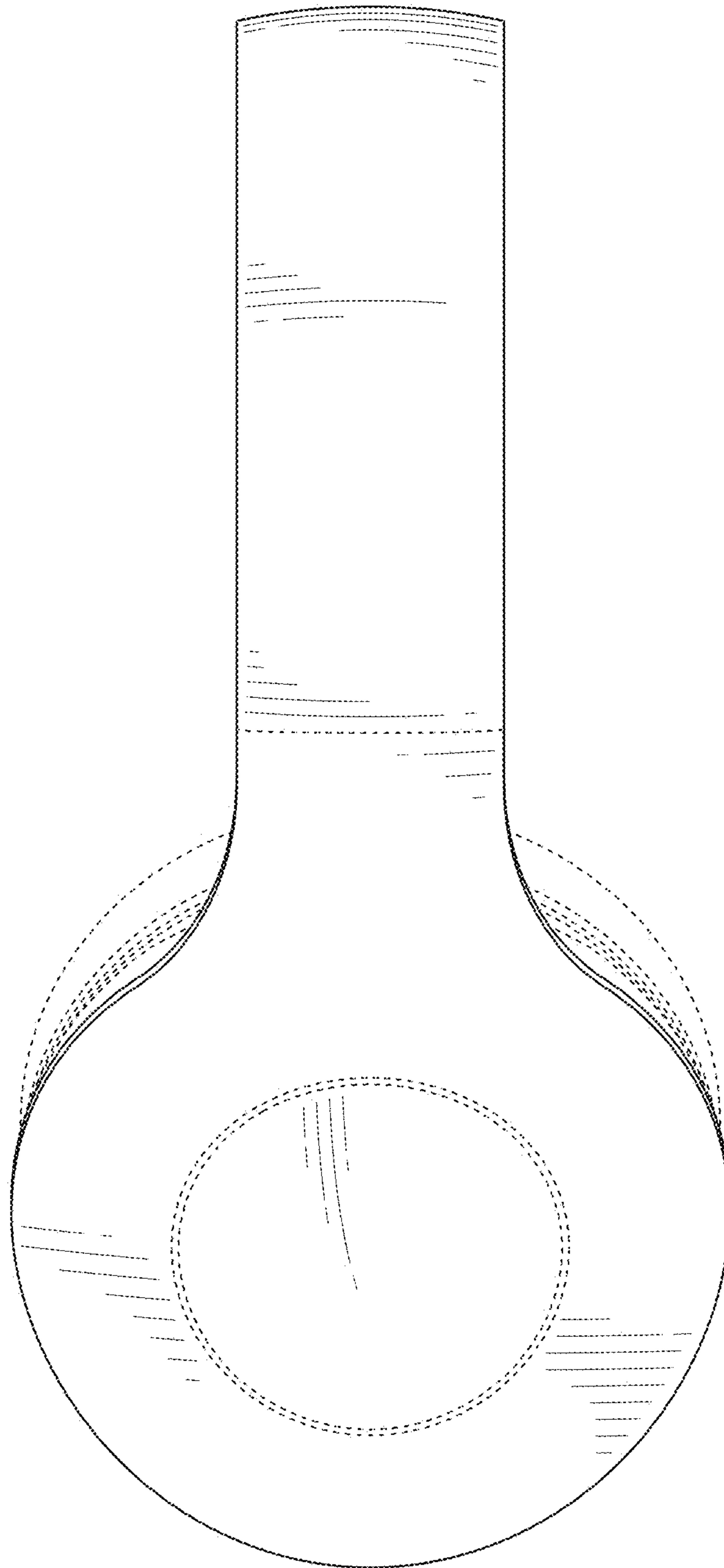


FIG. 3

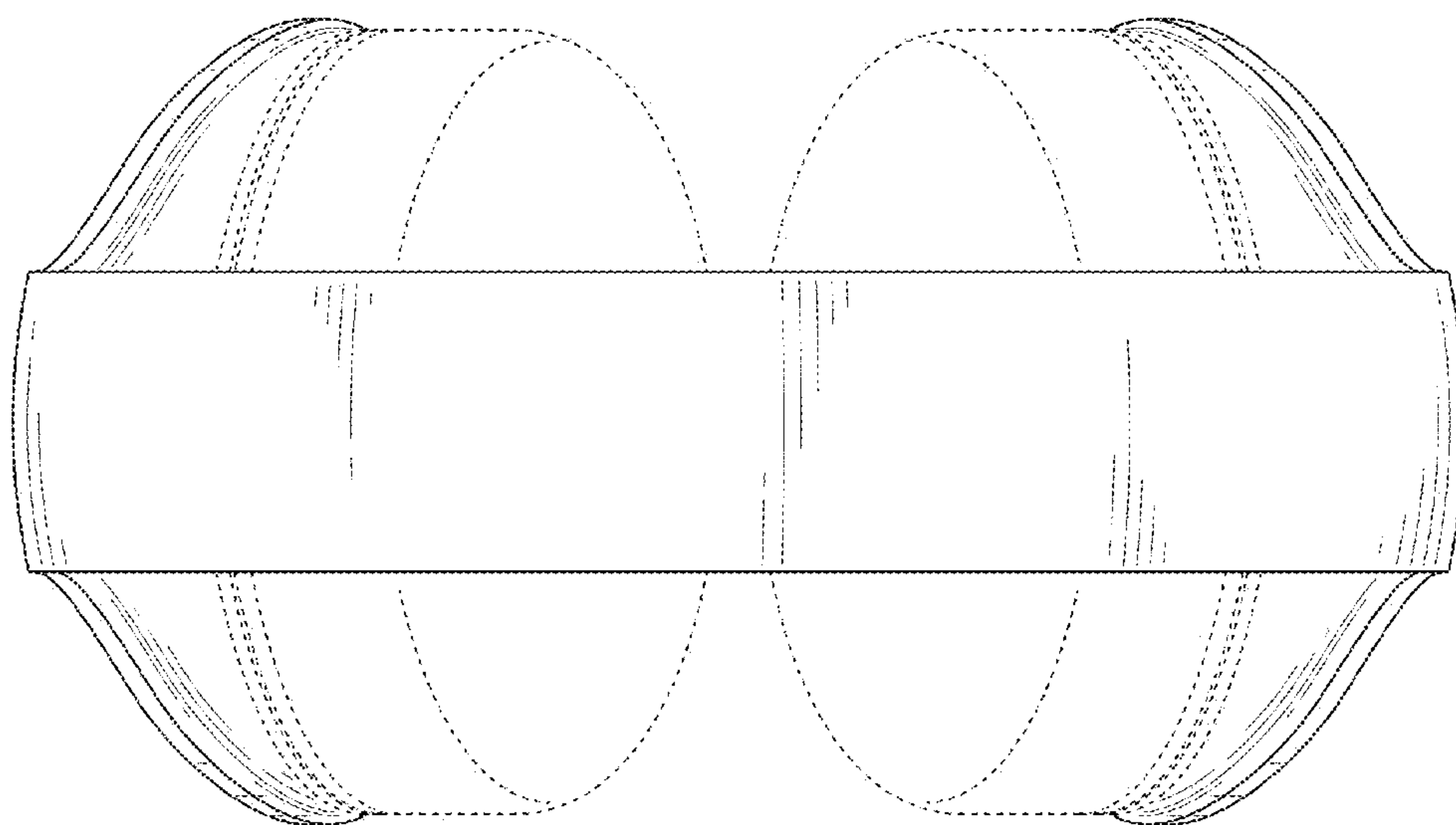


FIG. 4

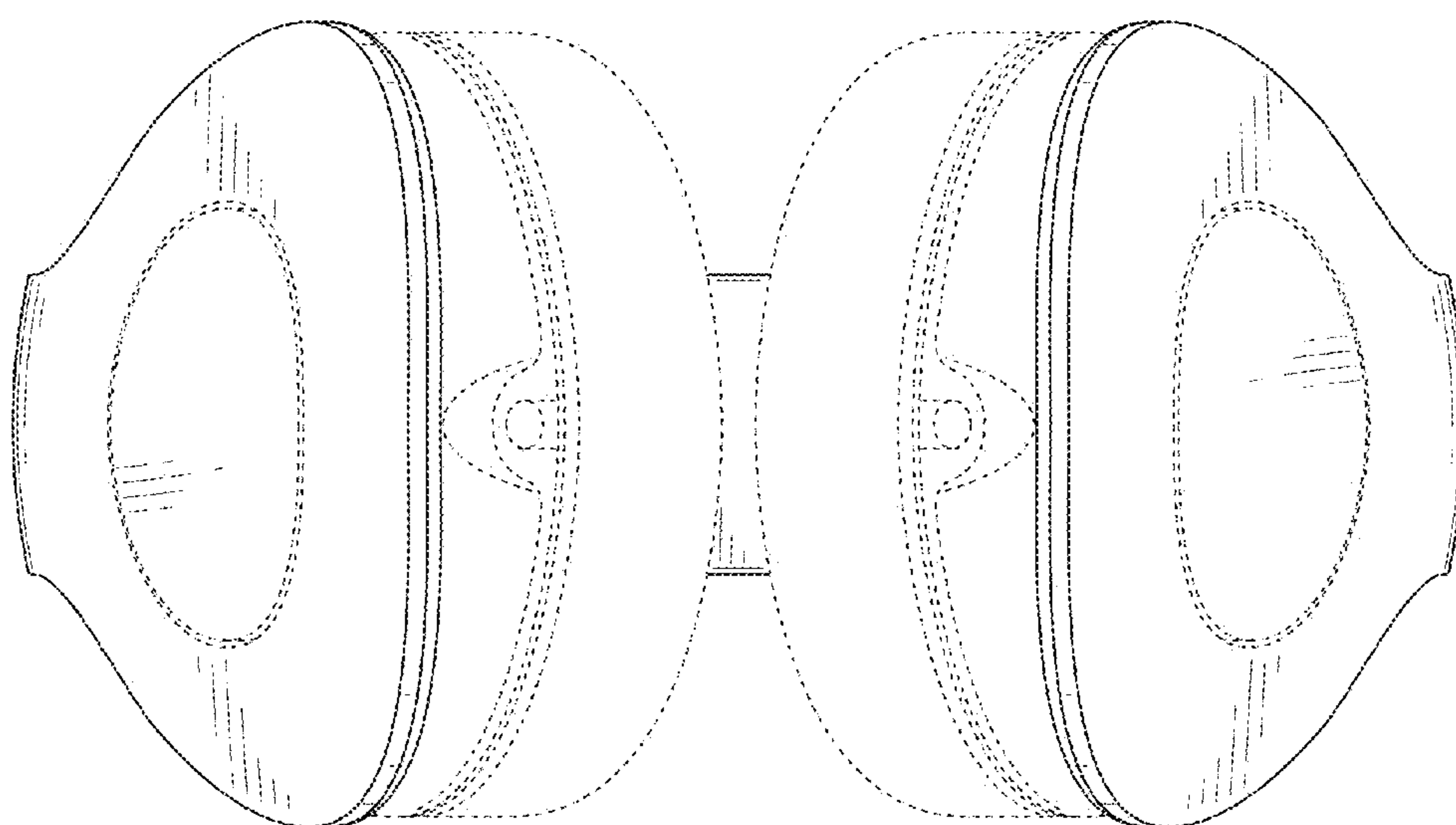


FIG. 5