



US00D696225S

(12) **United States Design Patent**  
**Osada**

(10) **Patent No.:** **US D696,225 S**

(45) **Date of Patent:** **\*\* Dec. 24, 2013**

(54) **VOICE RECORDING/REPRODUCING  
DEVICE**

(71) Applicant: **Olympus Imaging Corp.**, Tokyo (JP)

(72) Inventor: **Reisuke Osada**, Hachioji (JP)

(73) Assignee: **Olympus Imaging Corp.**, Tokyo (JP)

(\*\*) Term: **14 Years**

(21) Appl. No.: **29/452,516**

(22) Filed: **Apr. 17, 2013**

(30) **Foreign Application Priority Data**

Mar. 6, 2013 (JP) ..... 2013-004922

(51) **LOC (9) Cl.** ..... **14-01**

(52) **U.S. Cl.**  
USPC ..... **D14/167**

(58) **Field of Classification Search**  
USPC ..... D14/167, 154, 168, 188, 496, 156, 160,  
D14/161, 162, 163, 164, 165, 158, 203.1,  
D14/341, 346, 342, 345, 225, 226, 228, 227,  
D14/214; 455/351, 350; D19/60, 62;  
D21/330; 369/44.14, 44.32; 700/94  
See application file for complete search history.

(56) **References Cited**

**U.S. PATENT DOCUMENTS**

D463,393 S \* 9/2002 Kataoka ..... D14/167  
D478,888 S \* 8/2003 Ng ..... D14/203.3  
D486,466 S \* 2/2004 Tanaka ..... D14/167

D543,553 S \* 5/2007 Langberg et al. .... D14/496  
D578,994 S \* 10/2008 Oka ..... D14/167  
D581,898 S \* 12/2008 Oka ..... D14/167  
D640,230 S \* 6/2011 Sakai et al. .... D14/167  
D649,955 S \* 12/2011 Kumagai ..... D14/167  
D665,768 S \* 8/2012 Kumagai ..... D14/167  
D665,770 S \* 8/2012 Osada ..... D14/167  
D665,771 S \* 8/2012 Osada ..... D14/167  
D669,880 S \* 10/2012 Okura ..... D14/167

\* cited by examiner

*Primary Examiner* — Austin Murphy

(74) *Attorney, Agent, or Firm* — Holtz, Holtz, Goodman & Chick, PC

(57) **CLAIM**

The ornamental design for a voice recording/reproducing device, as shown and described.

**DESCRIPTION**

FIG. 1 is a front, top and right side perspective view of a voice recording/reproducing device showing my new design;  
FIG. 2 is a front elevational view thereof;  
FIG. 3 is a rear elevational view thereof;  
FIG. 4 is a top plan view thereof;  
FIG. 5 is a bottom plan view thereof;  
FIG. 6 is a right side elevational view thereof; and,  
FIG. 7 is a left side elevational view thereof.  
The broken lines shown in the drawings are for illustrative purposes only and form no part of the claimed design.

**1 Claim, 5 Drawing Sheets**

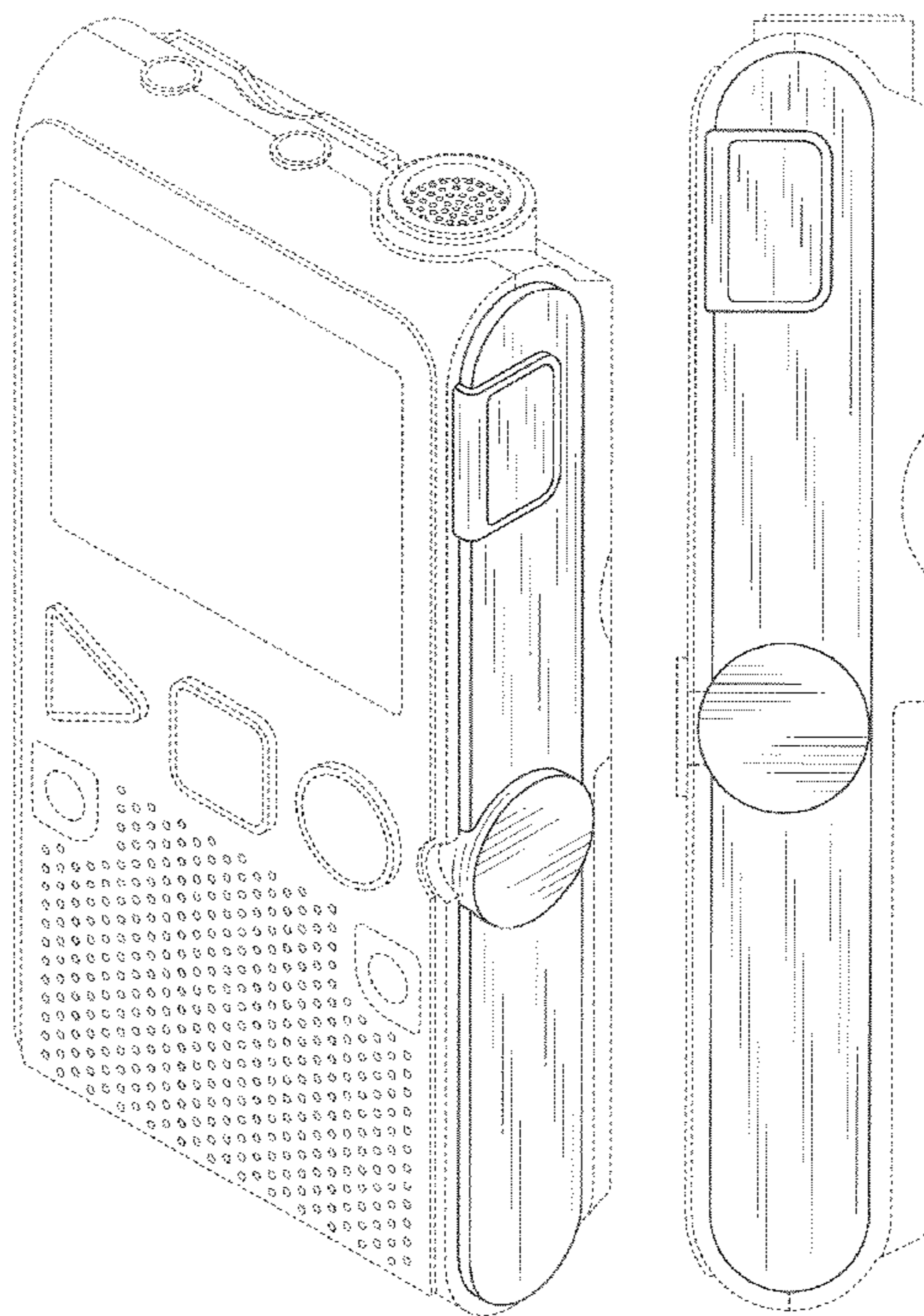


FIG.1

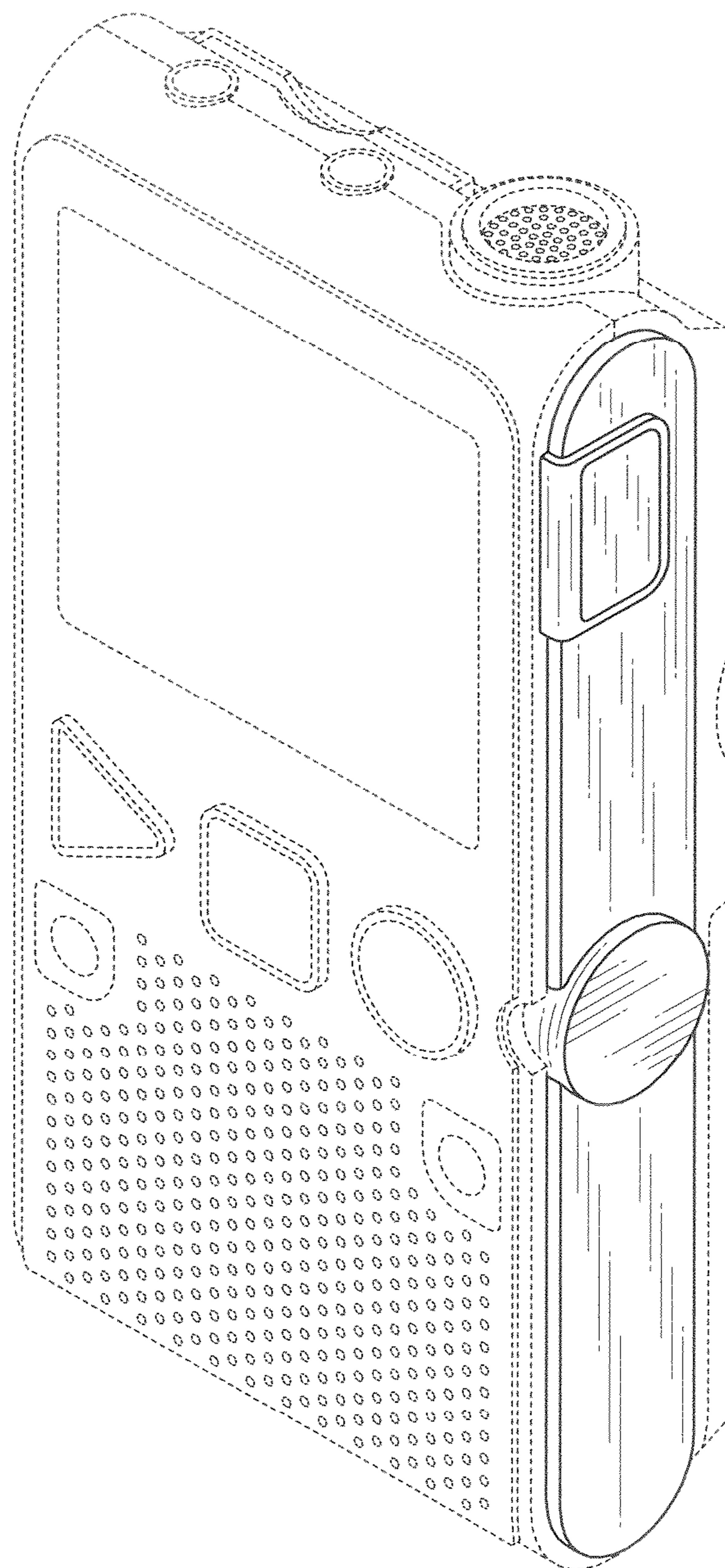


FIG.2

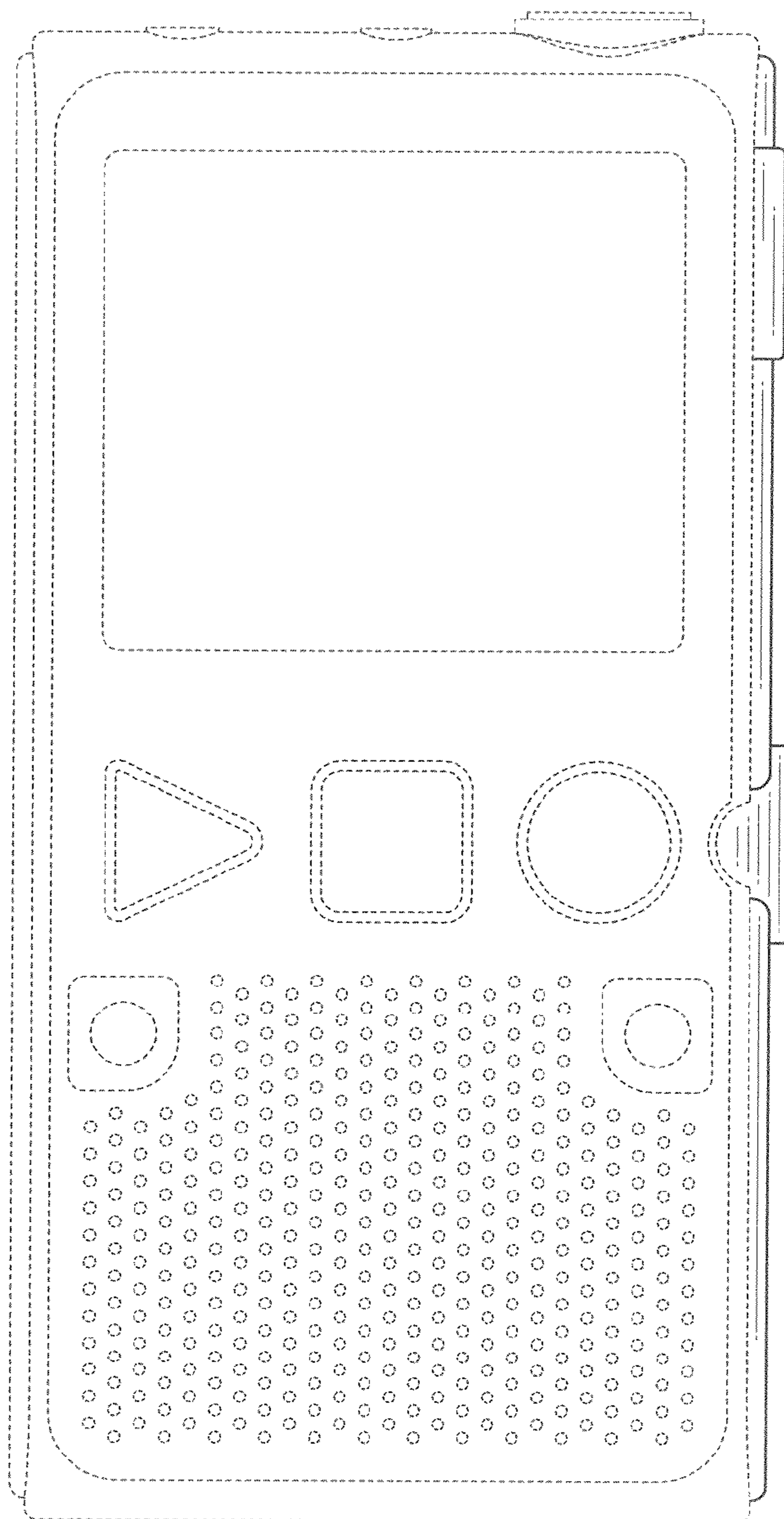
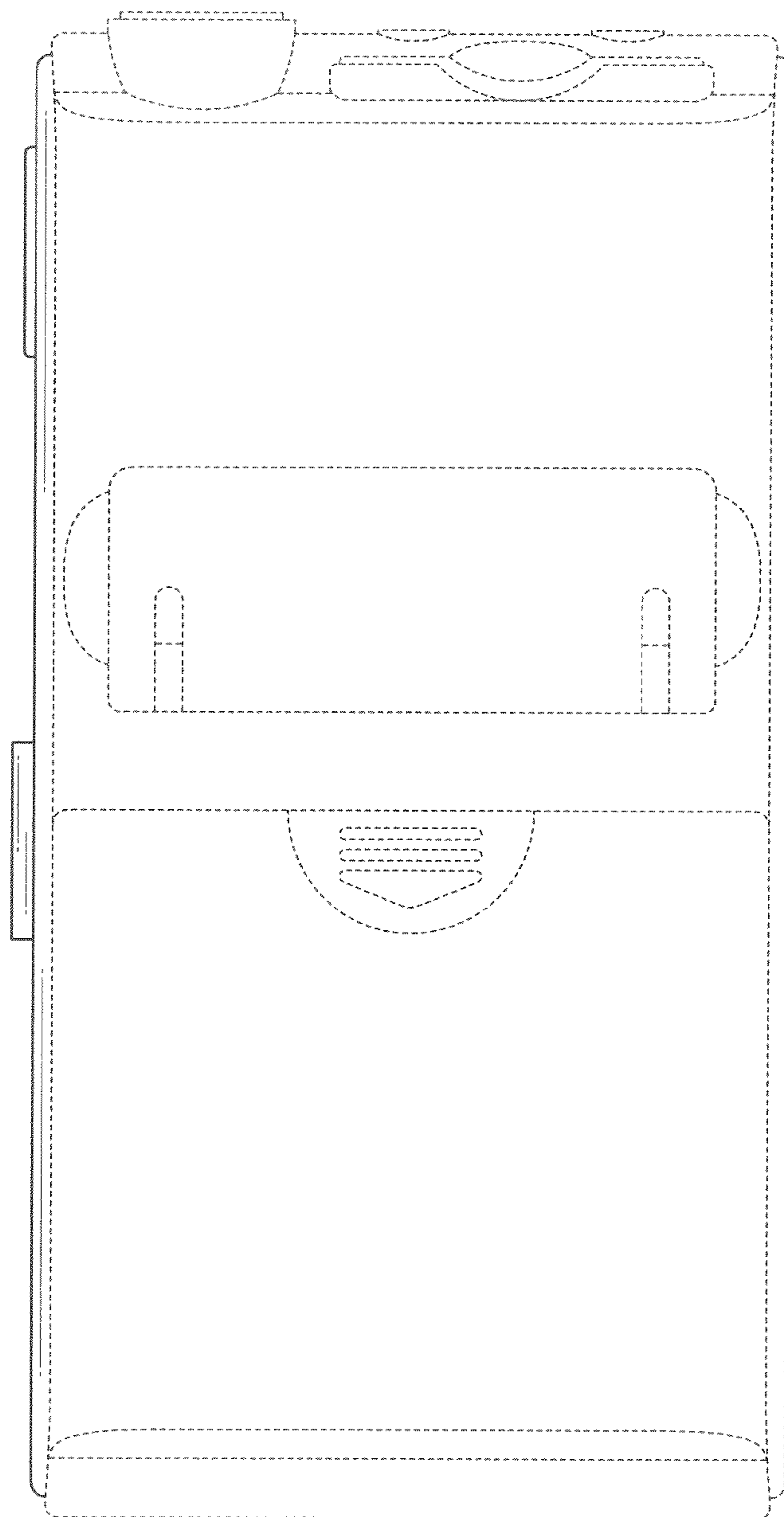
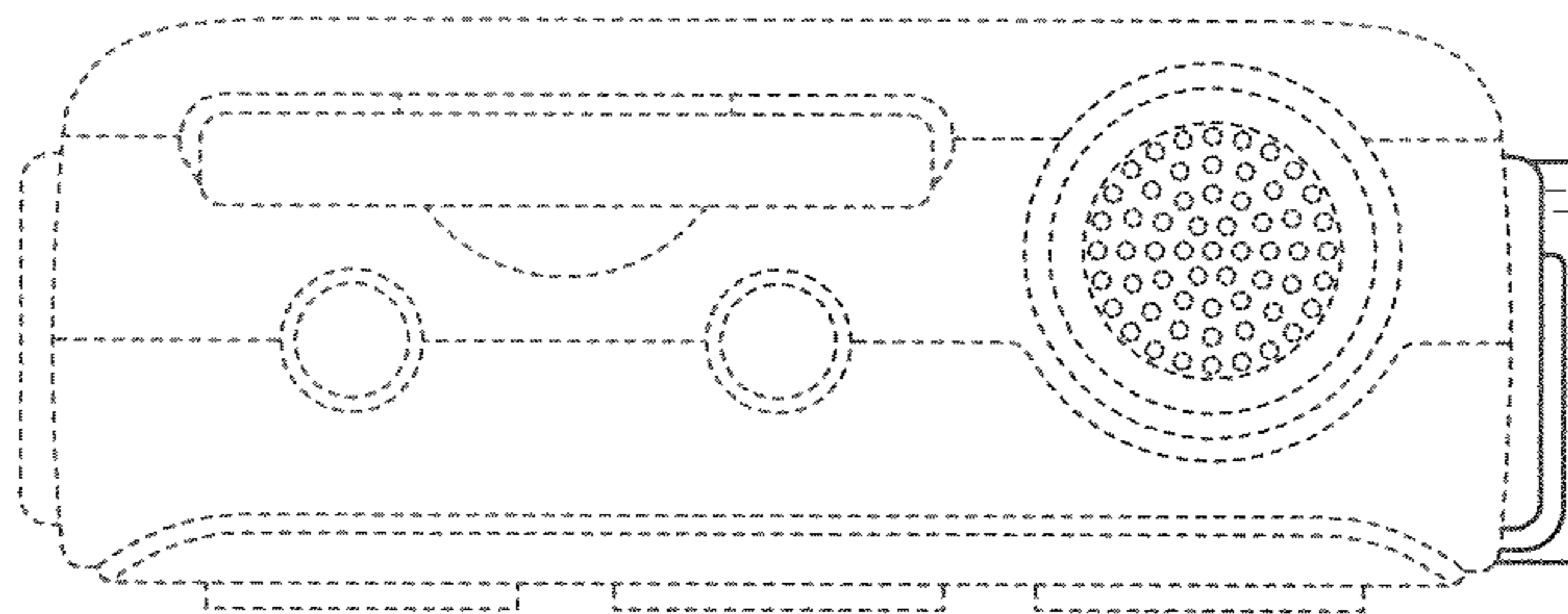


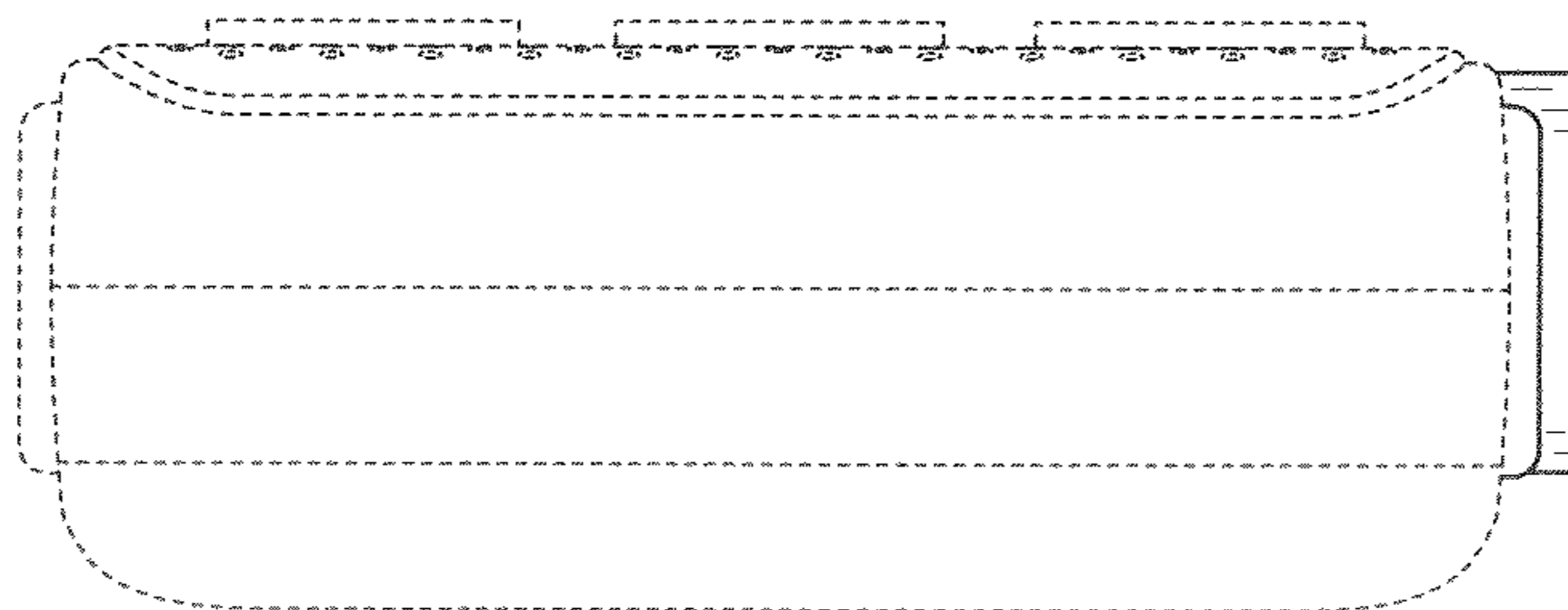
FIG.3



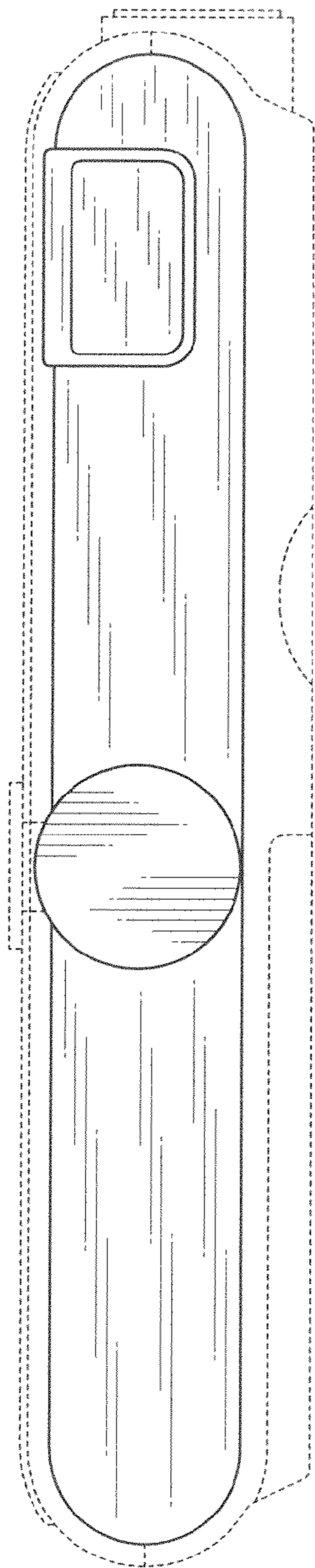
**FIG.4**



**FIG.5**



**FIG.6**



**FIG.7**

