



US00D696223S

(12) **United States Design Patent**
Will et al.

(10) **Patent No.:** **US D696,223 S**
(45) **Date of Patent:** **** Dec. 24, 2013**

(54) **ALERTING DEVICE**

(71) Applicants: **Travis E. Will**, Renton, WA (US);
Russell E. VanDevanter, Seattle, WA
(US); **Steven M. Myhre**, Seattle, WA
(US); **Michael J. Myhre**, Monroe, WA
(US)

(72) Inventors: **Travis E. Will**, Renton, WA (US);
Russell E. VanDevanter, Seattle, WA
(US); **Steven M. Myhre**, Seattle, WA
(US); **Michael J. Myhre**, Monroe, WA
(US)

(**) Term: **14 Years**

(21) Appl. No.: **29/466,495**

(22) Filed: **Sep. 9, 2013**

Related U.S. Application Data

(63) Continuation-in-part of application No. 13/942,833,
filed on Jul. 16, 2013.

(51) **LOC (9) Cl.** **14-03**

(52) **U.S. Cl.**
USPC **D14/155**

(58) **Field of Classification Search**
USPC D14/167, 154, 168, 188, 496, 156, 160,
D14/161, 162, 163, 164, 165, 158, 159, 341,
D14/346, 342, 345, 137, 155, 218, 225;
D16/208; D26/38; 455/351, 350;
D10/104.1, 106, 65; D3/207
See application file for complete search history.

(56) **References Cited**

U.S. PATENT DOCUMENTS

D373,318 S * 9/1996 Berch et al. D10/106.1
D392,944 S 3/1998 Issa
D440,899 S * 4/2001 Heath D14/159
D441,524 S * 5/2001 Shimizu et al. D3/207

D473,204 S * 4/2003 Tanio D14/167
D487,470 S * 3/2004 Cobigo D14/496
D496,031 S 9/2004 Ma
D518,399 S * 4/2006 Breslow D10/109.1
D538,245 S * 3/2007 Heath D14/137
D559,840 S * 1/2008 Kuo D14/240
D578,702 S * 10/2008 Campagna D26/85
D579,913 S * 11/2008 Lamason D14/159
D595,684 S * 7/2009 Ganley et al. D14/155
D599,323 S * 9/2009 Petersen D14/191
D615,438 S * 5/2010 Goetzl et al. D10/104.1
D638,394 S 5/2011 Richards
D646,259 S 10/2011 Daniel
D653,143 S * 1/2012 Cheung D10/114.9
D656,478 S 3/2012 Barley
D662,478 S 6/2012 Haggren
D667,382 S * 9/2012 Cosentino et al. D13/168
D671,093 S * 11/2012 Hauser et al. D14/155
D673,473 S 1/2013 Hogg
D674,786 S * 1/2013 Park D14/240
D675,584 S * 2/2013 Sharp D14/126

* cited by examiner

Primary Examiner — Austin Murphy

(74) *Attorney, Agent, or Firm* — Puget Patent; Michael
Gibbons

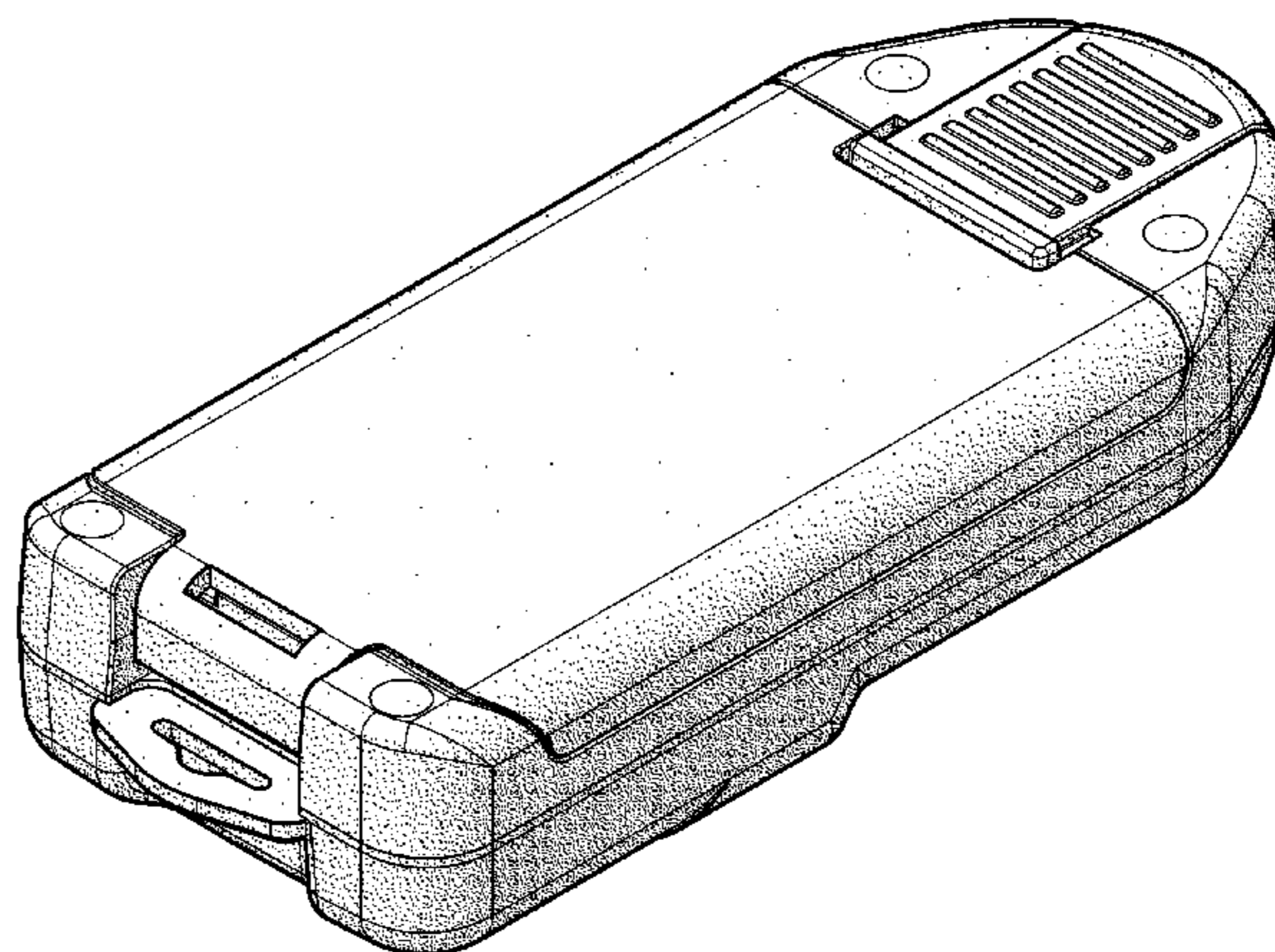
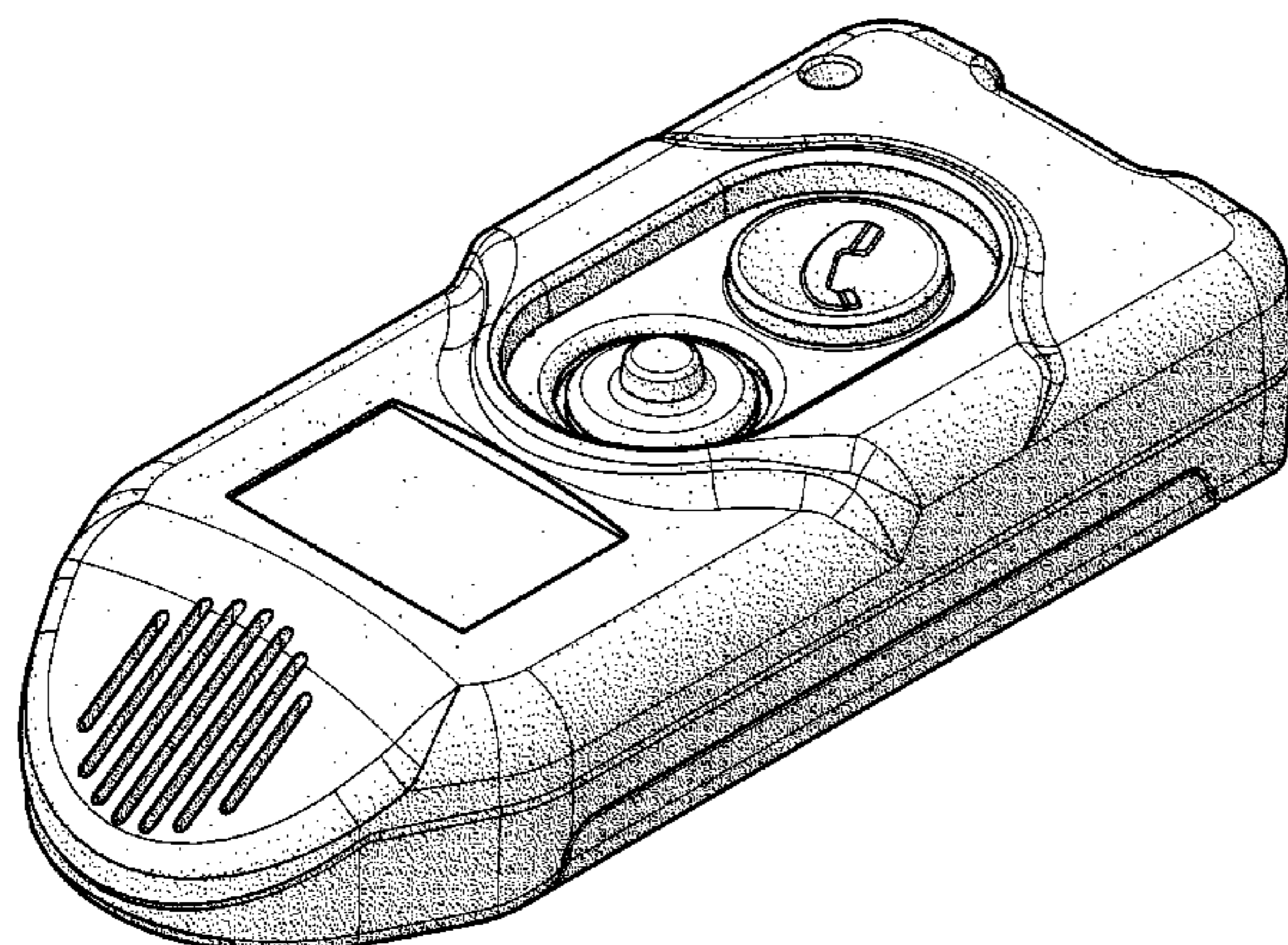
(57) **CLAIM**

The ornamental design for an alerting device, as shown and
described.

DESCRIPTION

FIG. 1 is a front perspective view of an alerting device show-
ing our new design;
FIG. 2 is a rear perspective view thereof;
FIG. 3 is a top view thereof;
FIG. 4 is a bottom view thereof;
FIG. 5 is a left side view thereof;
FIG. 6 is a right side view thereof;
FIG. 7 is a front view thereof; and,
FIG. 8 is a rear view thereof.

1 Claim, 6 Drawing Sheets



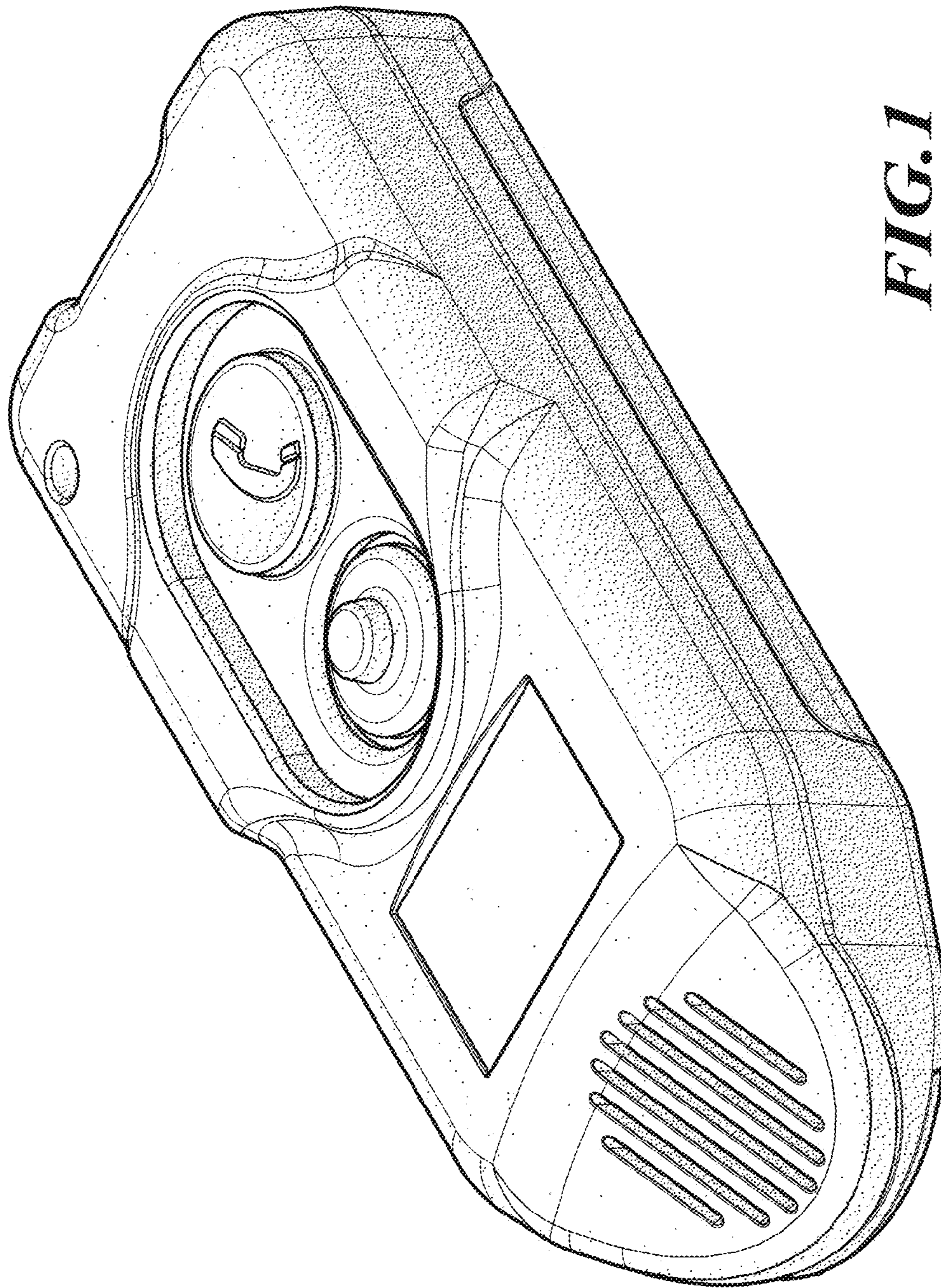


FIG. 1

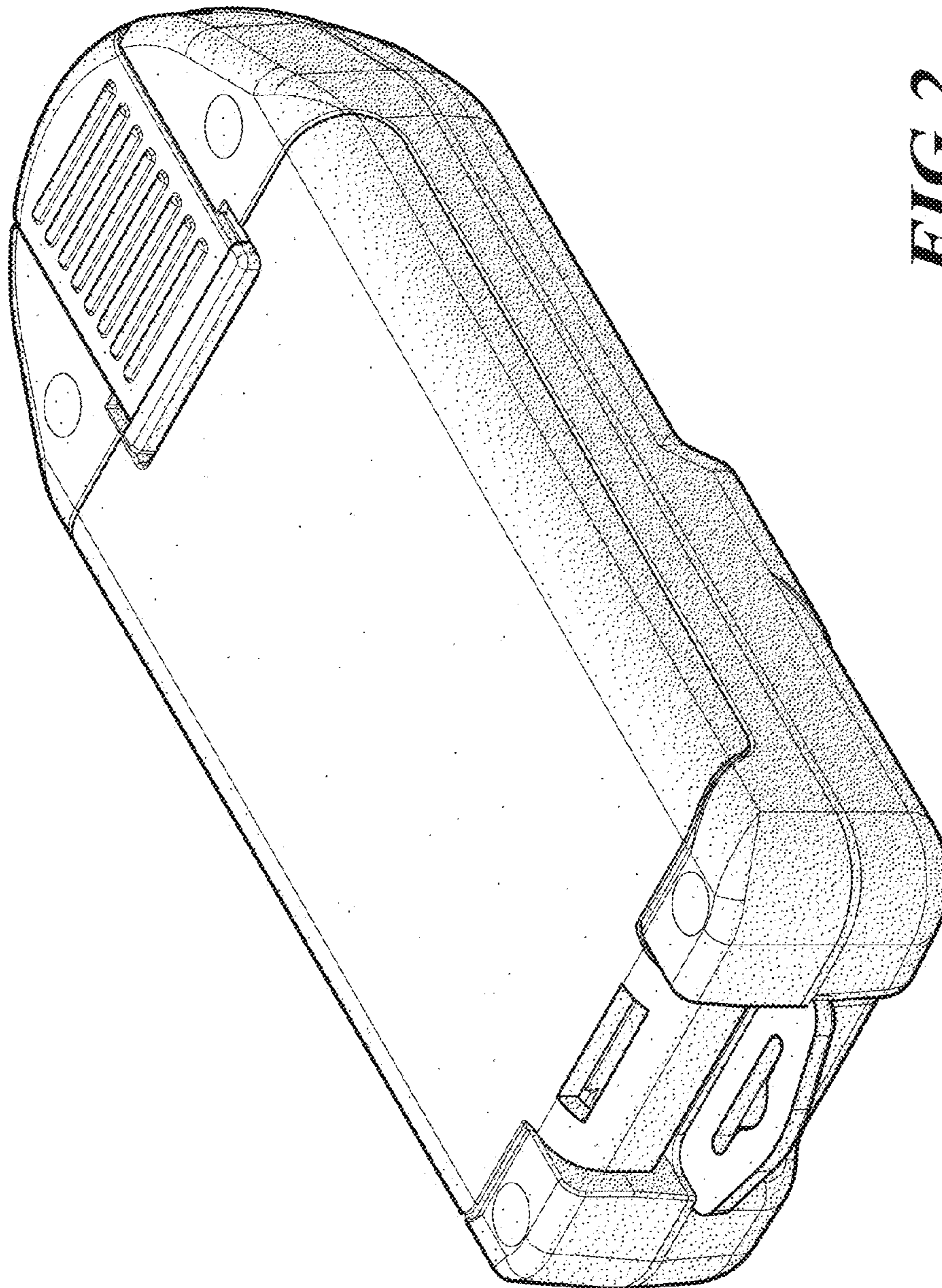


FIG. 2

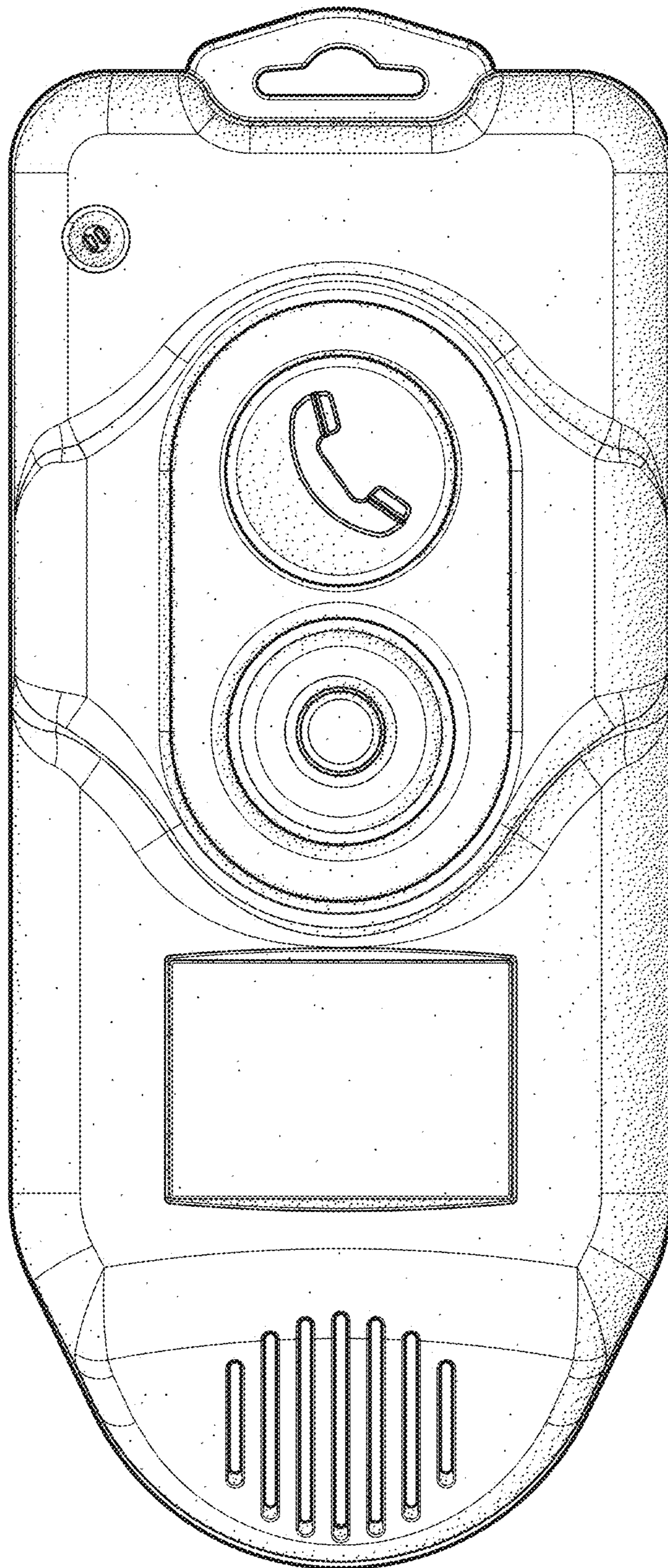


FIG. 3

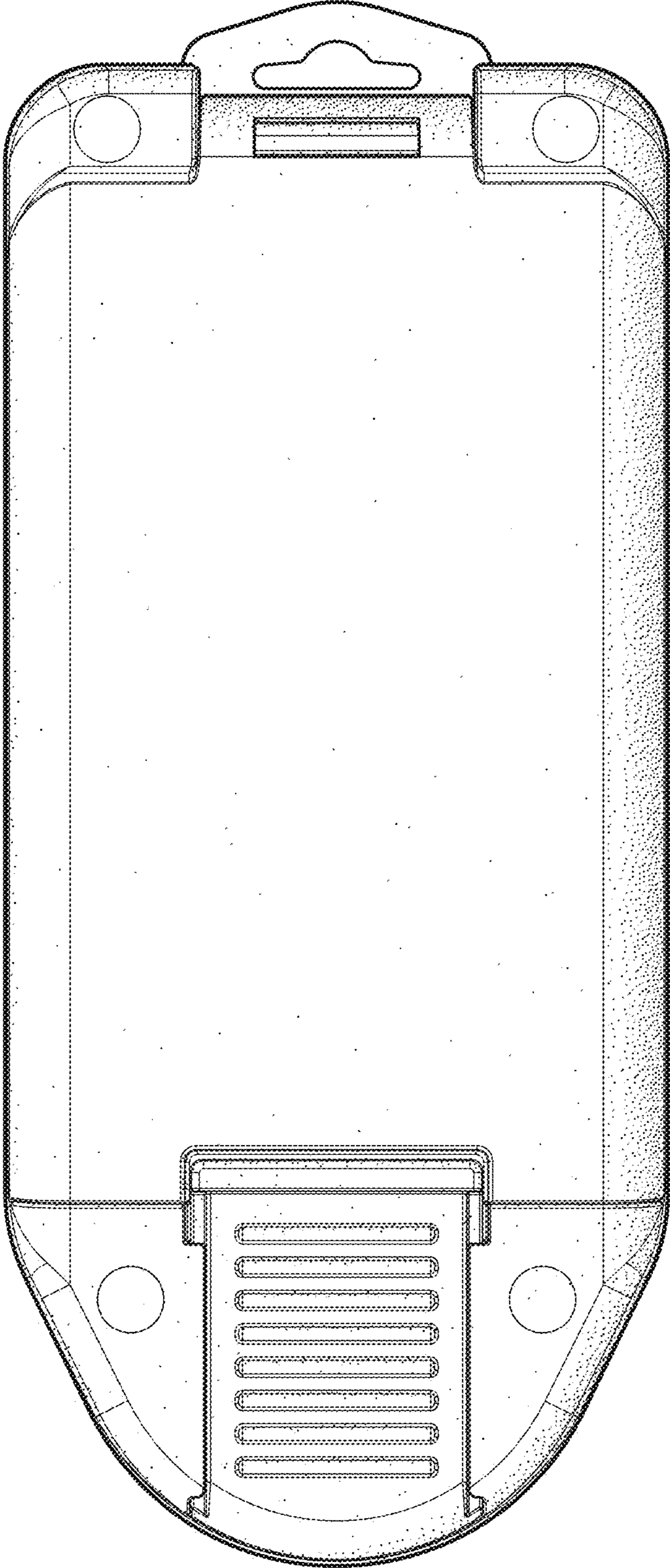


FIG. 4

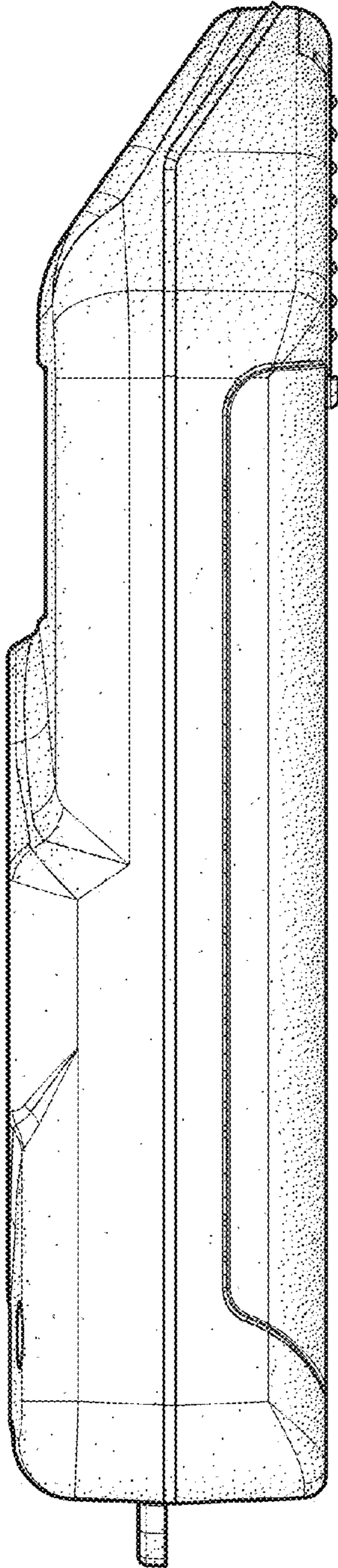


FIG. 5

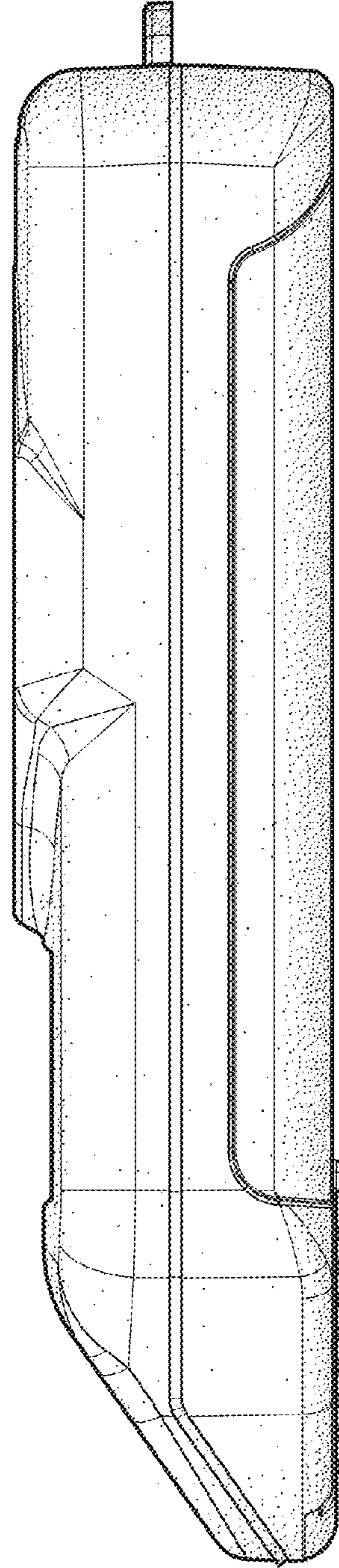


FIG. 6

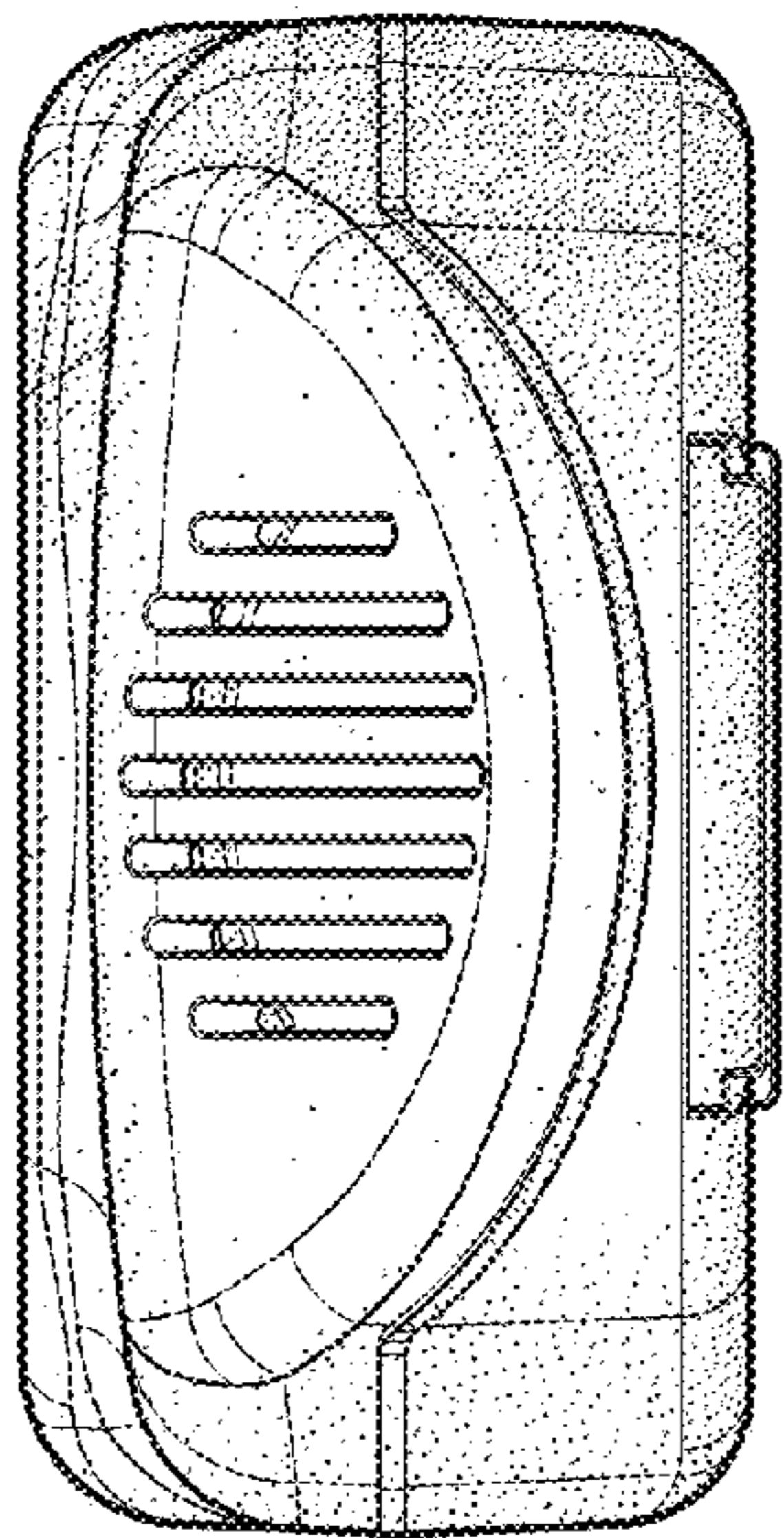


FIG. 7

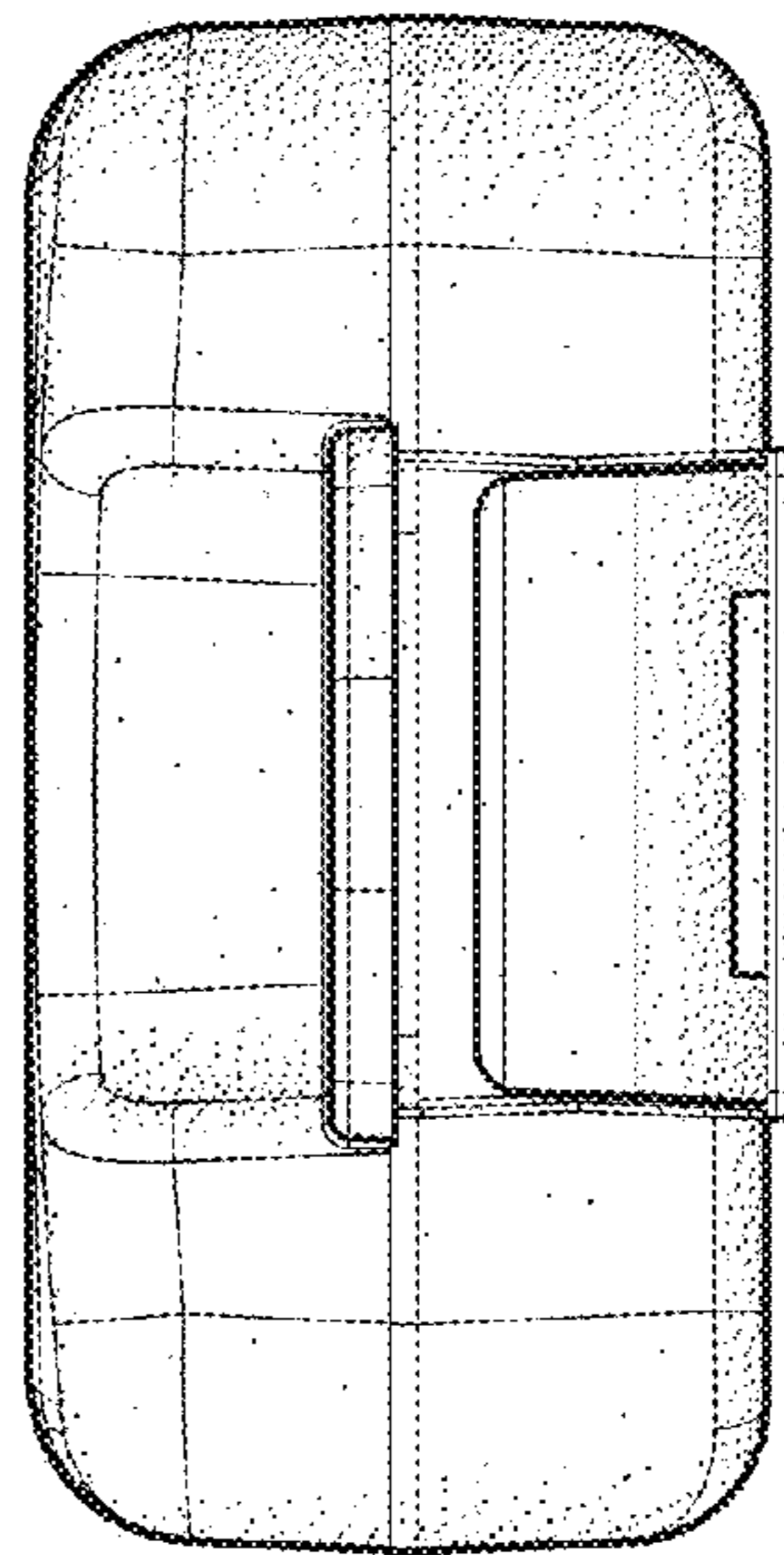


FIG. 8