



US00D696211S

(12) **United States Design Patent**  
**Lee et al.**

(10) **Patent No.:** **US D696,211 S**  
(45) **Date of Patent:** **\*\* Dec. 24, 2013**

(54) **HEAT EXCHANGE TUBE**

(75) Inventors: **Dong Ha Lee**, Gyeonggi-do (KR);  
**Byung Hee Ryoo**, Gyeonggi-do (KR)

(73) Assignee: **Korea Bundy Co., Ltd.**, Gyeonggi-do (KR)

(\*\*) Term: **14 Years**

(21) Appl. No.: **29/414,105**

(22) Filed: **Feb. 24, 2012**

(30) **Foreign Application Priority Data**

Oct. 14, 2011 (KR) ..... 30-2011-0042613

(51) **LOC (9) Cl.** ..... **13-03**

(52) **U.S. Cl.**  
USPC ..... **D13/179**

(58) **Field of Classification Search**  
USPC ..... D13/179; 138/37, 38; 167/177, 179,  
167/181, 183, 184

See application file for complete search history.

(56) **References Cited**

**U.S. PATENT DOCUMENTS**

2,337,584	A *	12/1943	Baker	.....	285/288.1
4,190,105	A *	2/1980	Dankowski	.....	165/179
4,428,420	A *	1/1984	Blakely	.....	165/183
4,466,479	A *	8/1984	MacLean	.....	165/104.16
5,839,505	A *	11/1998	Ludwig et al.	.....	165/109.1
D556,702	S *	12/2007	Laufer et al.	.....	D13/179
7,559,355	B2 *	7/2009	Oh	.....	165/177
D612,343	S *	3/2010	Wei et al.	.....	D13/179
D619,550	S *	7/2010	Hwang et al.	.....	D13/179
8,201,621	B2 *	6/2012	Hatman	.....	165/177

2002/0007941	A1 *	1/2002	Zhu et al.	.....	165/177
2002/0053425	A1 *	5/2002	Paulman et al.	.....	165/177
2008/0029258	A1 *	2/2008	Kranich et al.	.....	165/177
2008/0105405	A1 *	5/2008	Hsu	.....	165/104.26
2008/0142196	A1 *	6/2008	Jeng	.....	165/104.26
2010/0258280	A1 *	10/2010	O'Donnell et al.	.....	165/109.1
2010/0314092	A1 *	12/2010	Kirchner et al.	.....	165/183
2011/0005739	A1 *	1/2011	Finney et al.	.....	165/177
2011/0094721	A1 *	4/2011	Tsai	.....	165/181
2012/0145356	A1 *	6/2012	Paschkewitz et al.	...	165/104.26
2012/0205087	A1 *	8/2012	Eaton	.....	165/181
2012/0222849	A1 *	9/2012	Liu	.....	165/181
2013/0000877	A1 *	1/2013	Bauer et al.	.....	165/177

\* cited by examiner

*Primary Examiner* — Selina Sikder

(74) *Attorney, Agent, or Firm* — Saliwanchik, Lloyd & Eisenschenk

(57) **CLAIM**

The ornamental design for a heat exchange tube, as shown and described.

**DESCRIPTION**

FIG. 1 is a front, right perspective of the heat exchange tube showing our new design;

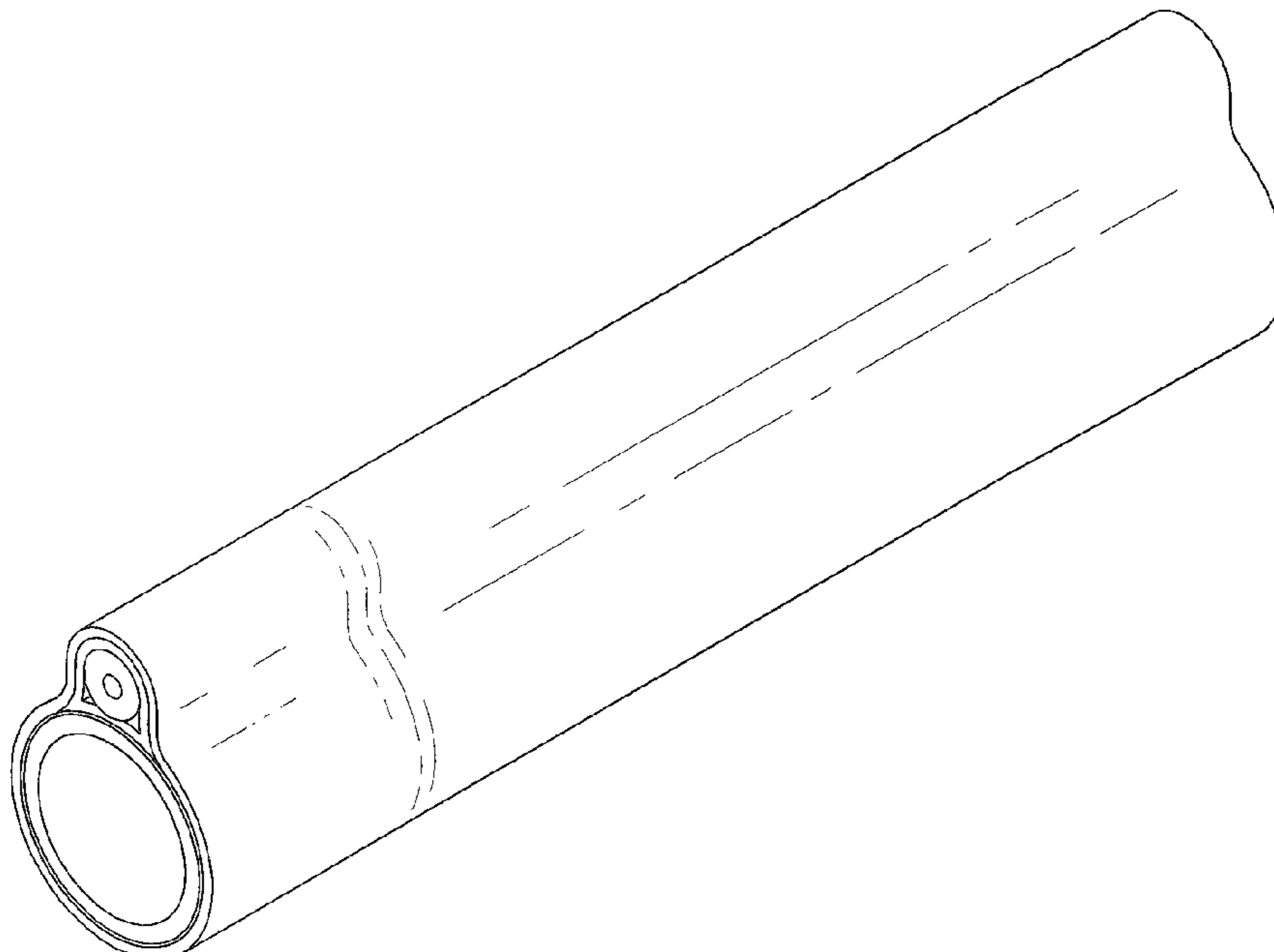
FIG. 2 is a front view thereof, the rear view being a mirror image thereof;

FIG. 3 is a left side view thereof, the right side view being a mirror image thereof;

FIG. 4 is a top plan view thereof, the bottom plan view being a mirror image thereof; and,

FIG. 5 is a reference view thereof illustrating a state in which the subject design is combined wherein the broken lines shown are for illustrative purposes only and forms no part of the claimed design.

**1 Claim, 4 Drawing Sheets**



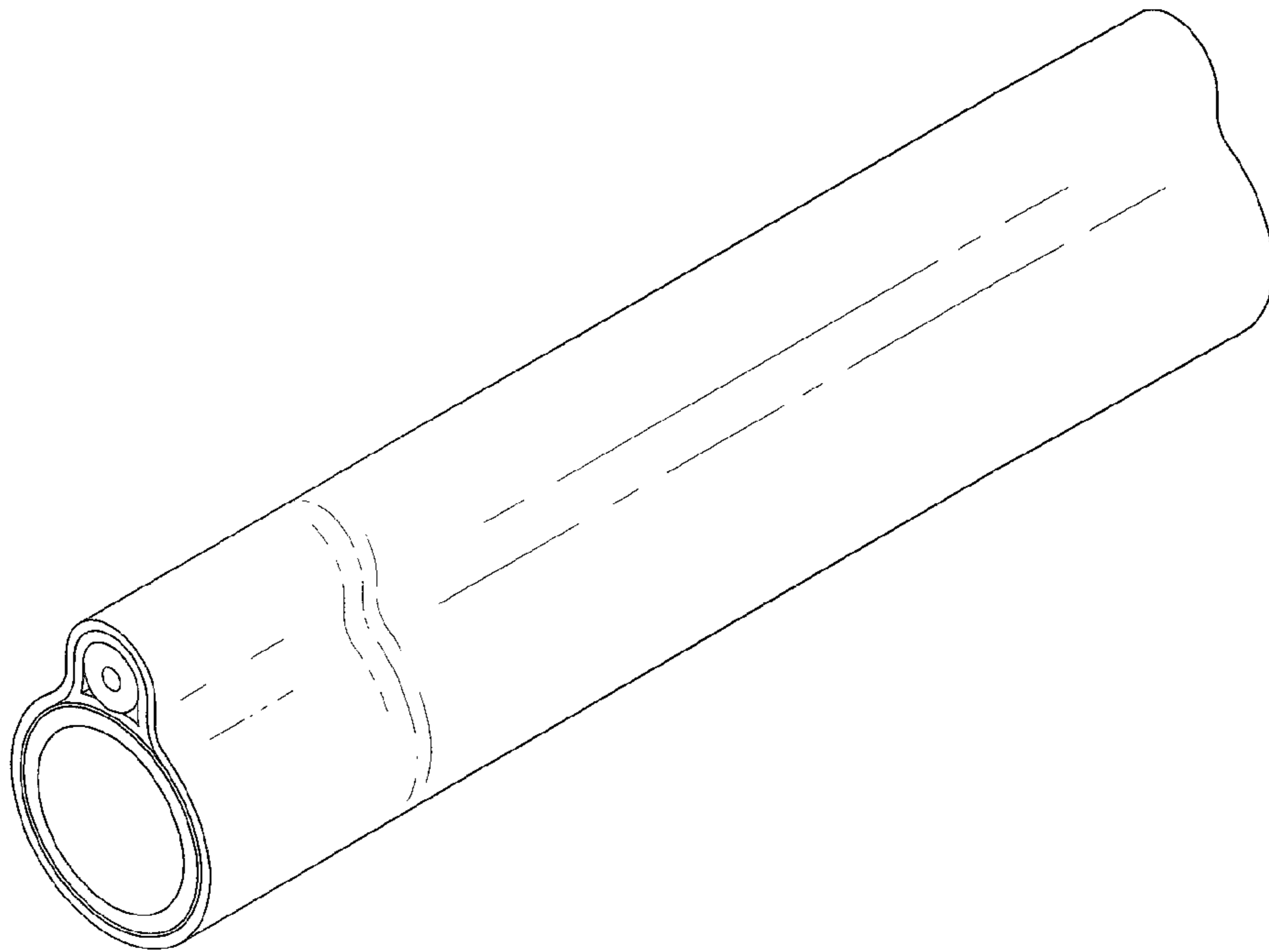
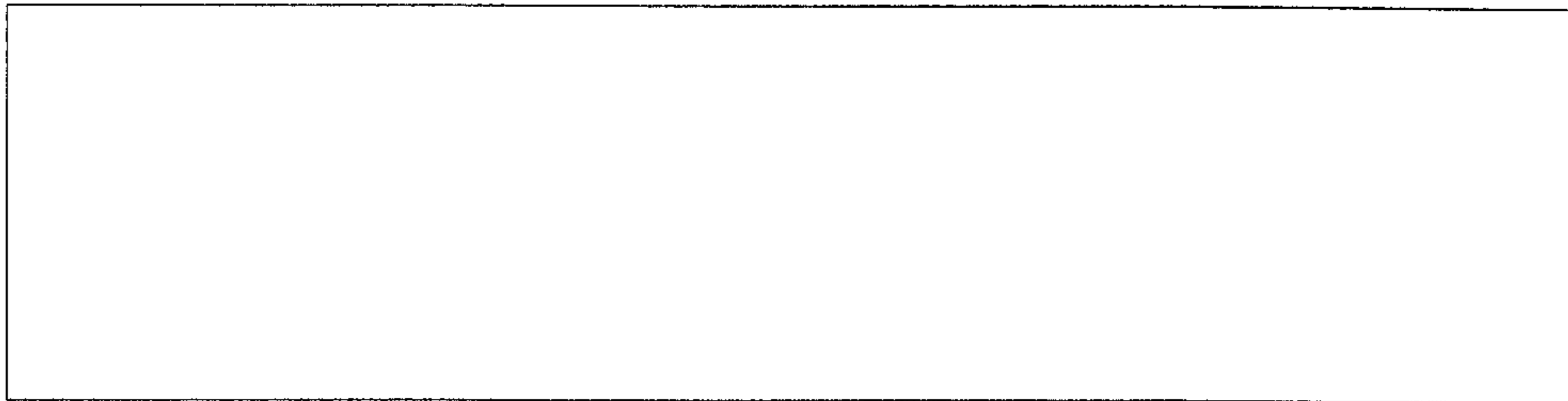


FIG. 1



**FIG. 2**

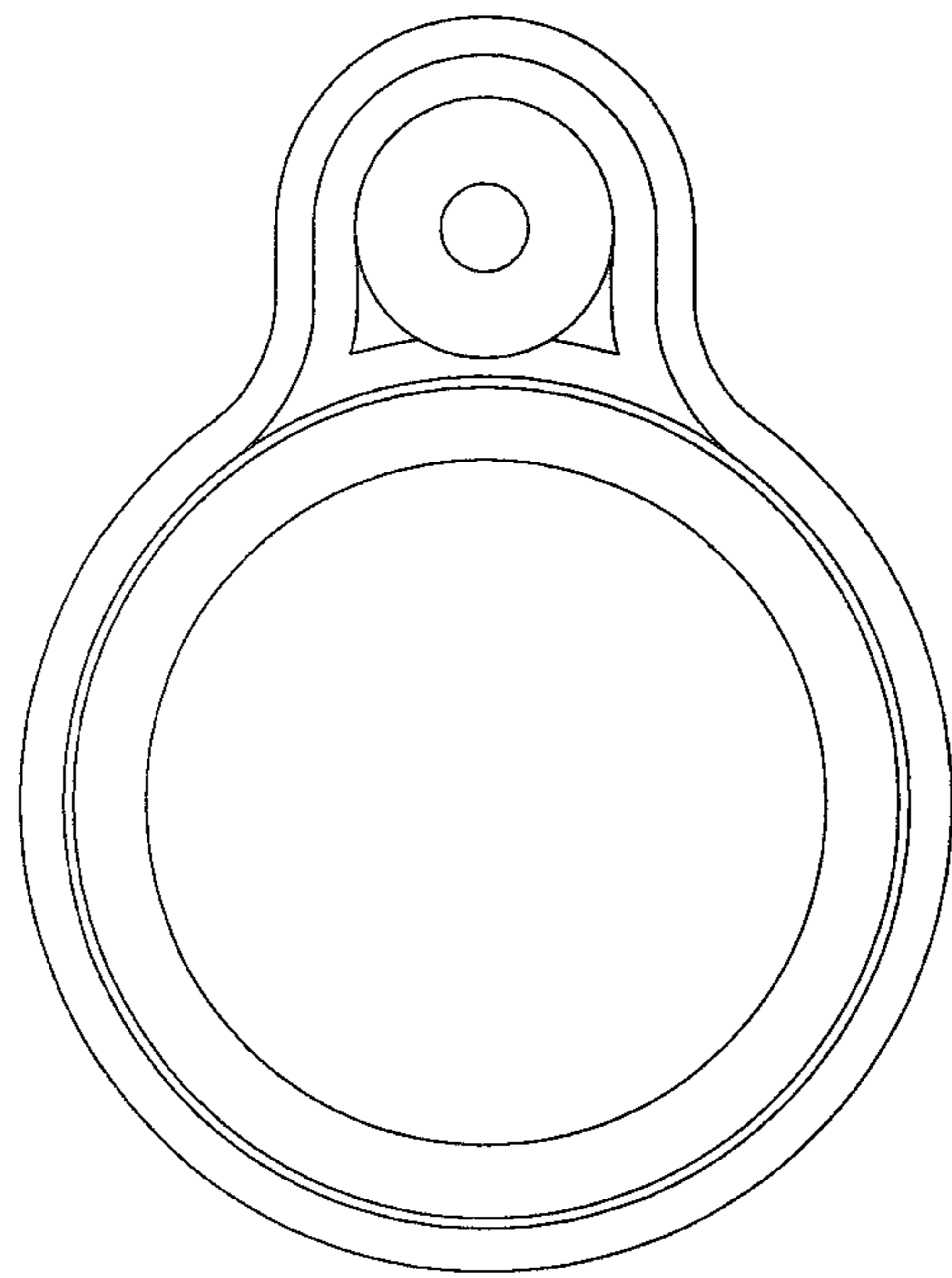


FIG. 3

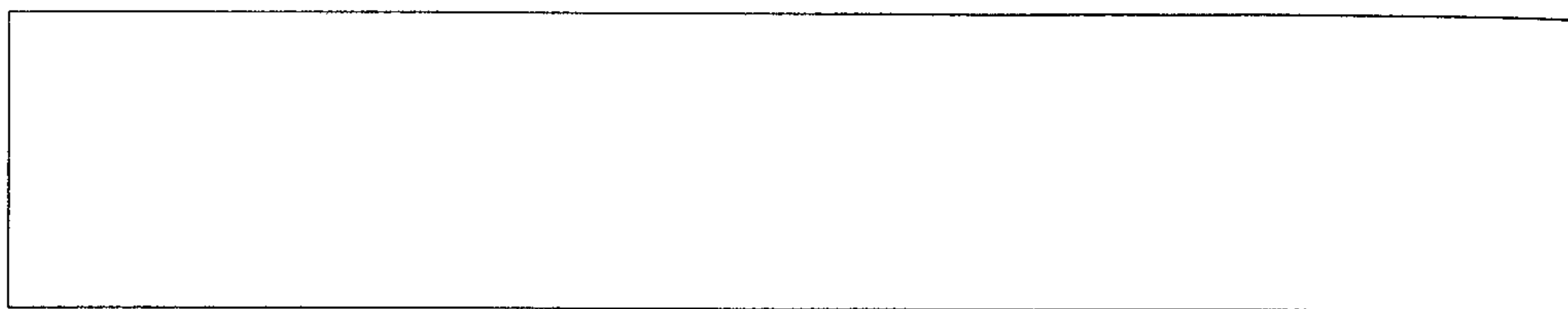


FIG. 4

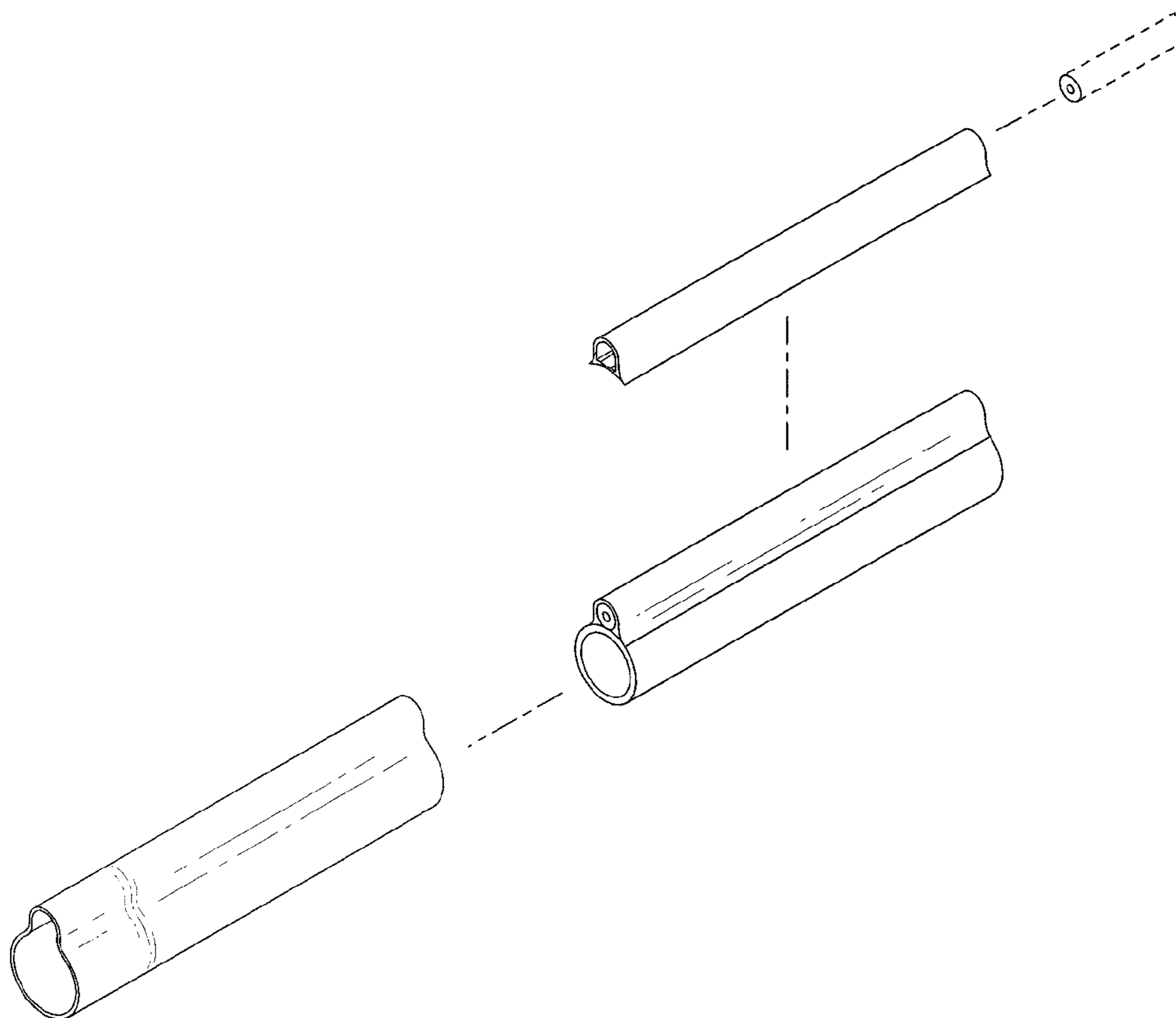


FIG. 5