



US00D696209S

(12) **United States Design Patent**  
**Allen et al.**

(10) **Patent No.:** **US D696,209 S**

(45) **Date of Patent:** **\*\* Dec. 24, 2013**

(54) **ELECTRONICS MODULE**

(75) Inventors: **Philip Allen**, Wahroonga (AU); **David Stocks**, Bensville (AU); **Scott Ibbotson**, Pennant Hills (AU)

(73) Assignee: **Hunter Pacific International Pty Ltd** (AU)

(\*\*) Term: **14 Years**

(21) Appl. No.: **29/424,184**

(22) Filed: **Jun. 8, 2012**

(30) **Foreign Application Priority Data**

Dec. 9, 2011 (AU) ..... 15612/2011

(51) **LOC (9) Cl.** ..... **13-03**

(52) **U.S. Cl.**  
USPC ..... **D13/162**

(58) **Field of Classification Search**  
USPC ..... D13/110, 123, 162, 162.1; 361/600,  
361/601, 622, 728, 729, 730, 796; 700/1,  
700/17, 18, 20; 439/716; 307/147  
See application file for complete search history.

(56) **References Cited**

**U.S. PATENT DOCUMENTS**

D358,365	S *	5/1995	Rodeffer et al.	.....	D13/110
7,050,306	B1 *	5/2006	Ribeiro et al.	.....	361/728
D544,441	S *	6/2007	Sichner et al.	.....	D13/123
D544,836	S *	6/2007	Sichner et al.	.....	D13/123
D545,762	S *	7/2007	Sichner et al.	.....	D13/123
D571,736	S *	6/2008	Copeland et al.	.....	D13/162
D593,962	S *	6/2009	Ross et al.	.....	D13/162
D625,252	S *	10/2010	Nguyen et al.	.....	D13/103
7,969,744	B2 *	6/2011	Mathes et al.	.....	361/728
8,107,243	B2 *	1/2012	Guccione et al.	.....	361/728
D660,806	S *	5/2012	Wong	.....	D13/162

2009/0034165	A1 *	2/2009	Tyler et al.	.....	361/622
2009/0141458	A1 *	6/2009	Liu et al.	.....	361/728
2011/0103025	A1 *	5/2011	Ross et al.	.....	361/728
2012/0162929	A1 *	6/2012	Huang	.....	361/728
2012/0307459	A1 *	12/2012	Sakuma et al.	.....	361/728

**OTHER PUBLICATIONS**

U.S. Appl. No. 29/424,183, filed Jun. 8, 2012, Allen et al.  
U.S. Appl. No. 29/424,185, filed Jun. 8, 2012, Allen et al.  
U.S. Appl. No. 29/424,186, filed Jun. 8, 2012, Allen et al.  
U.S. Appl. No. 29/424,188, filed Jun. 8, 2012, Allen et al.  
U.S. Appl. No. 29/424,189, filed Jun. 8, 2012, Allen et al.  
U.S. Appl. No. 29/424,191, filed Jun. 8, 2012, Allen et al.  
U.S. Appl. No. 29/424,193, filed Jun. 8, 2012, Allen et al.  
U.S. Appl. No. 29/424,194, filed Jun. 8, 2012, Allen et al.

\* cited by examiner

*Primary Examiner* — Selina Sikder

(74) *Attorney, Agent, or Firm* — Sheridan Ross PC

(57) **CLAIM**

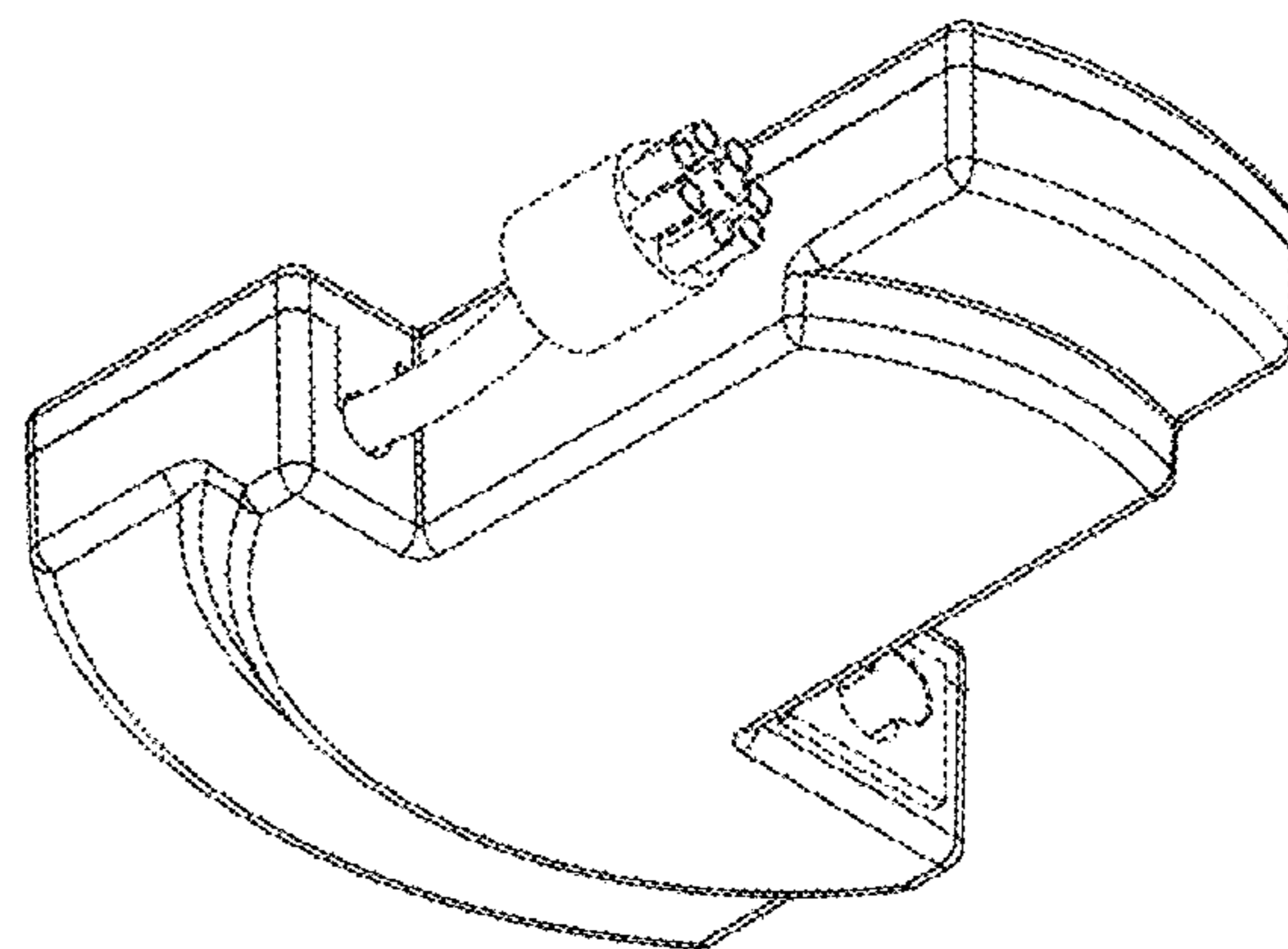
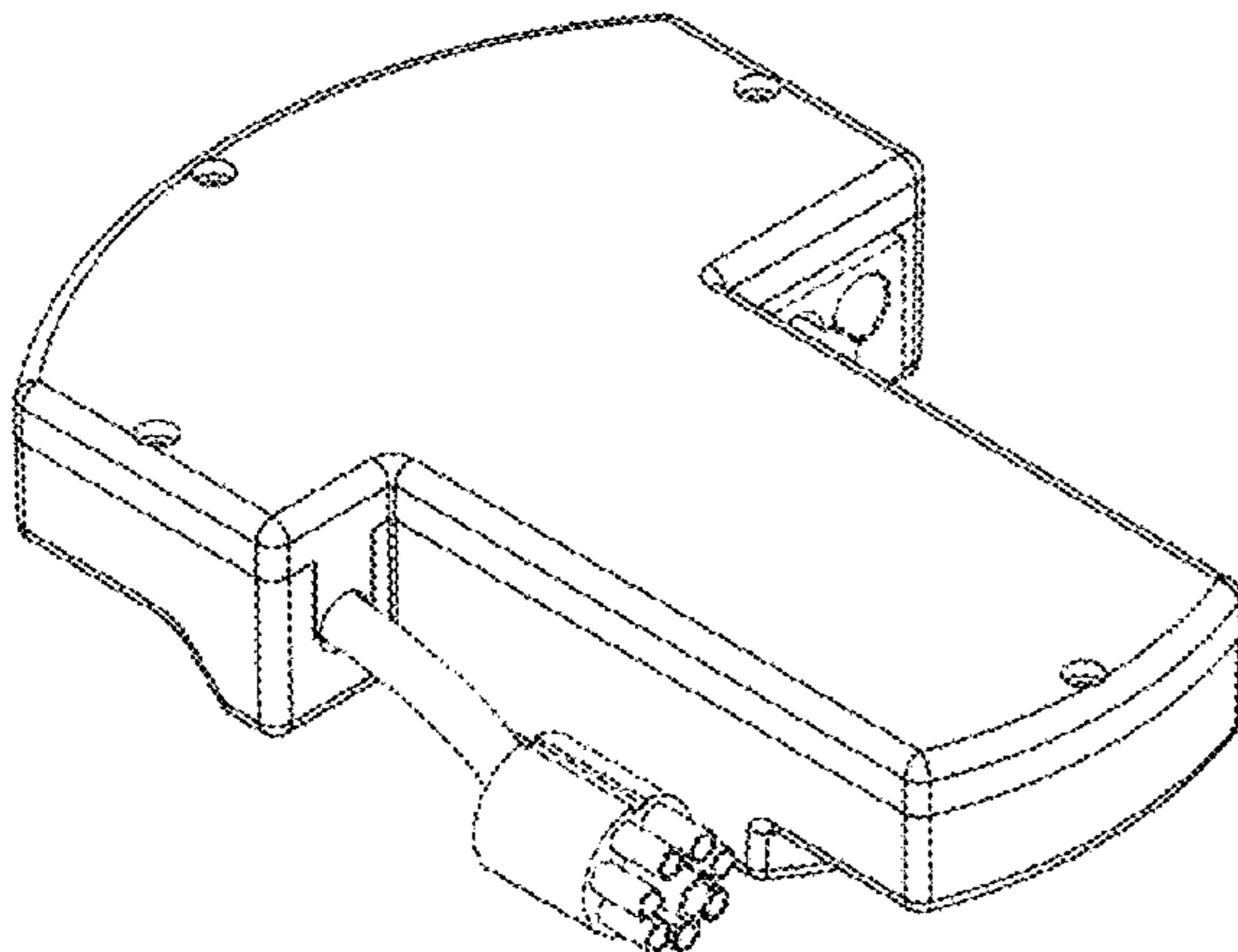
The ornamental design for an electronics module, as shown and described.

**DESCRIPTION**

FIG. 1 is a top perspective view of the electronics module;  
FIG. 2 is another top perspective view thereof;  
FIG. 3 is a bottom perspective view thereof;  
FIG. 4 is another bottom perspective view thereof;  
FIG. 5 is a front elevation view thereof;  
FIG. 6 is a rear elevation view thereof;  
FIG. 7 is a top plan view thereof;  
FIG. 8 is a bottom plan view thereof;  
FIG. 9 is a left side view thereof; and,  
FIG. 10 is a right side view thereof.

The broken lines in the Figures are included for the purpose of illustrating environment and form no part of the claimed design.

**1 Claim, 10 Drawing Sheets**



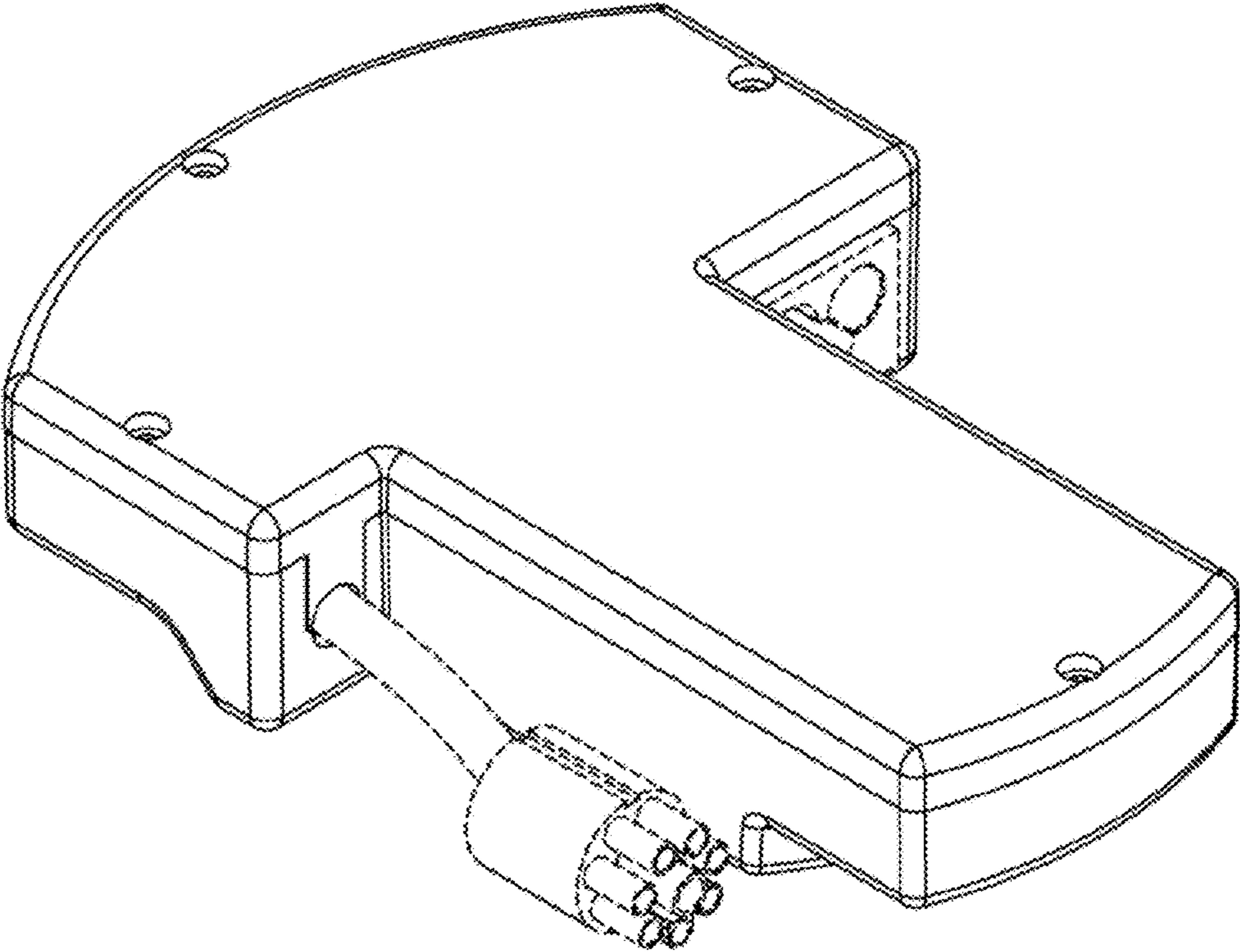


FIG. 1

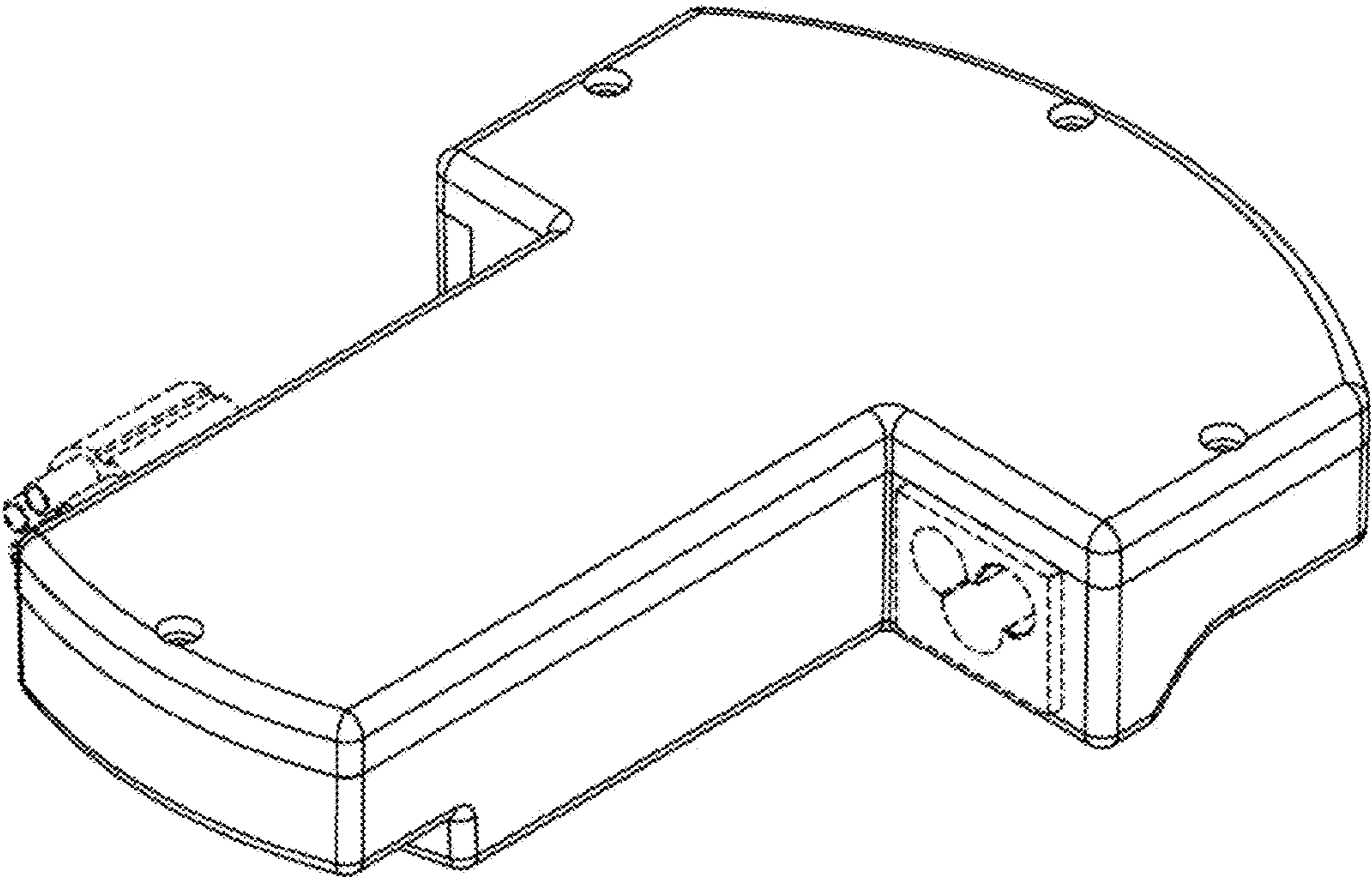
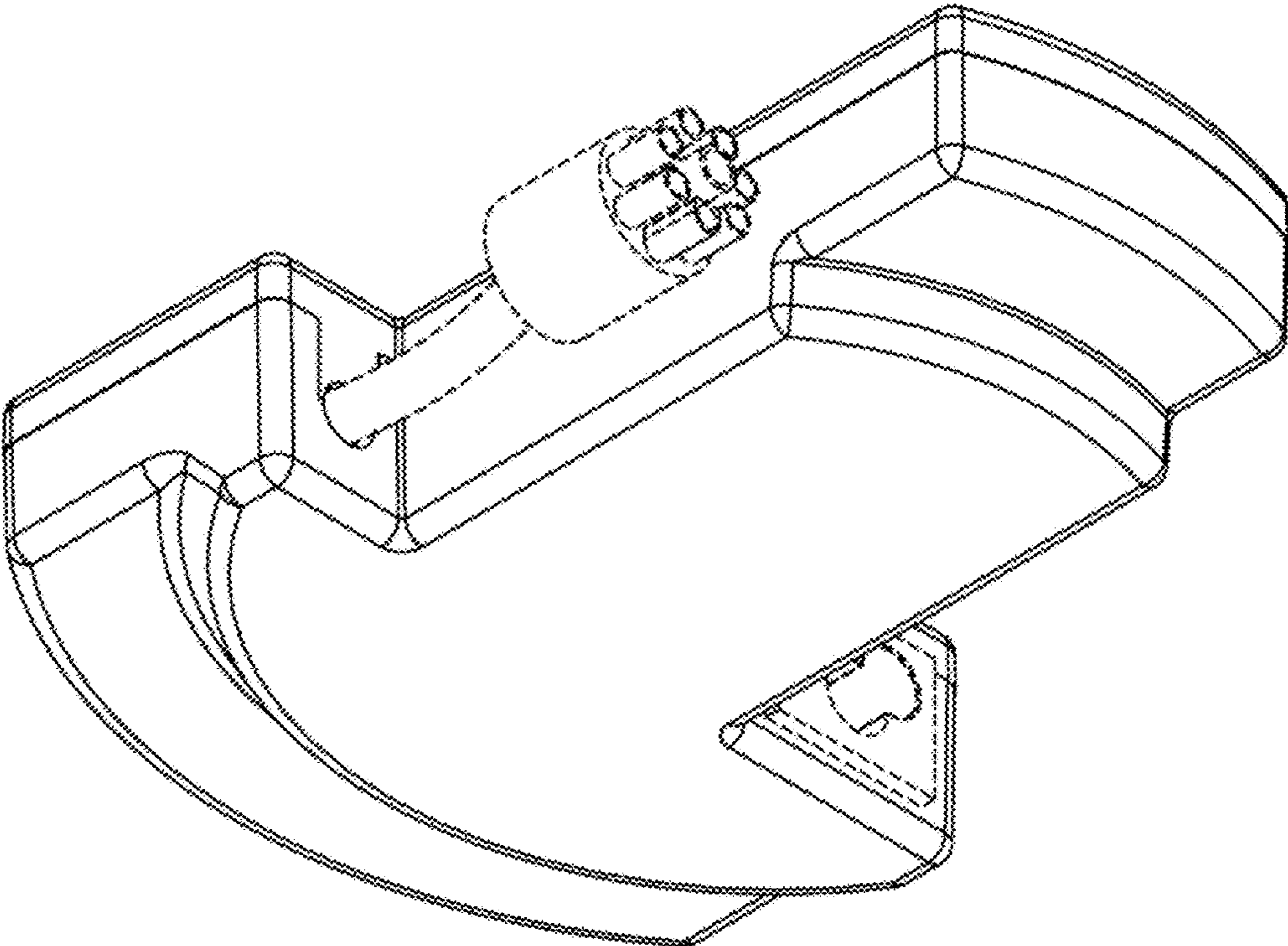


FIG. 2



**FIG. 3**

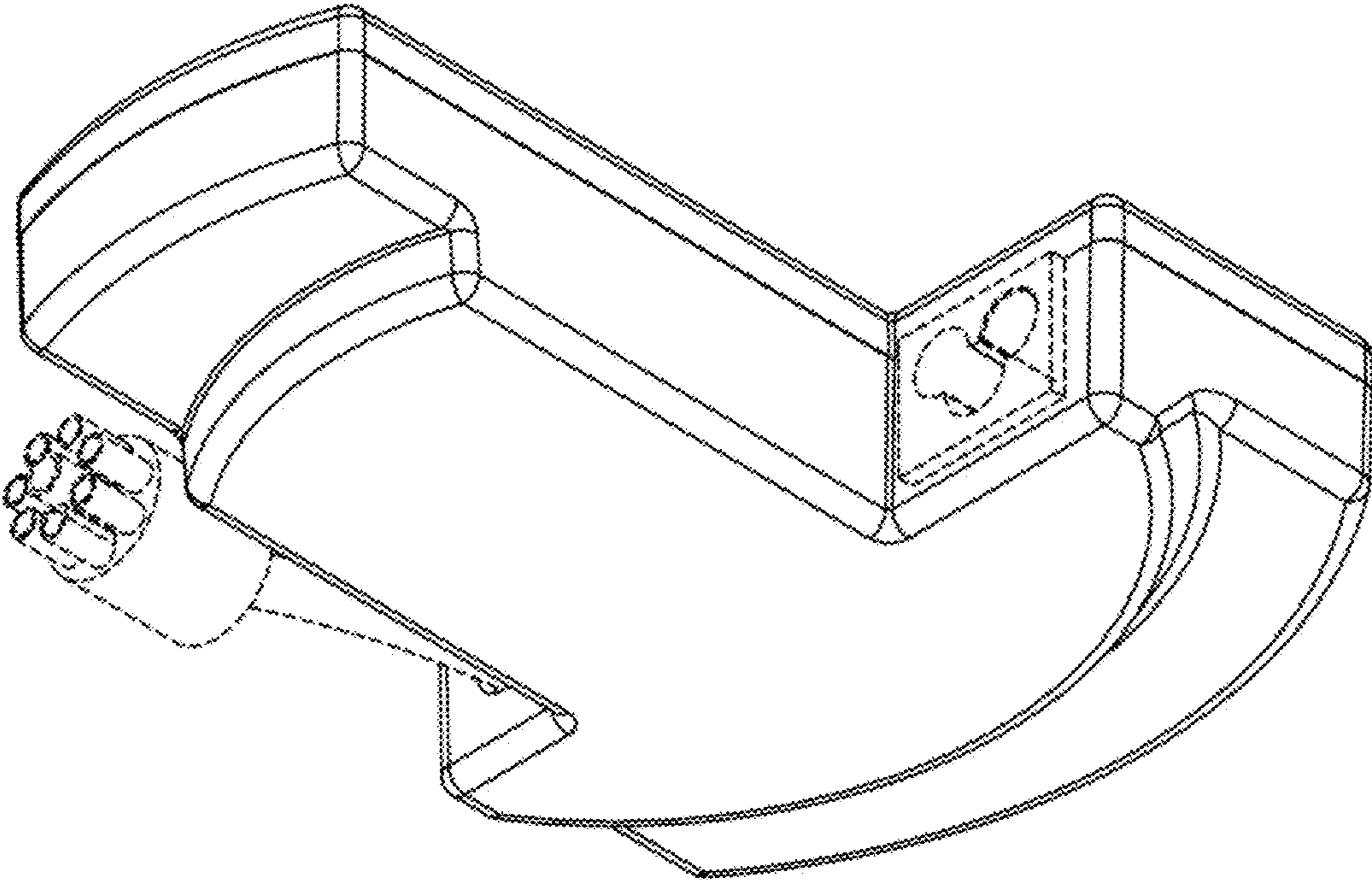


FIG. 4

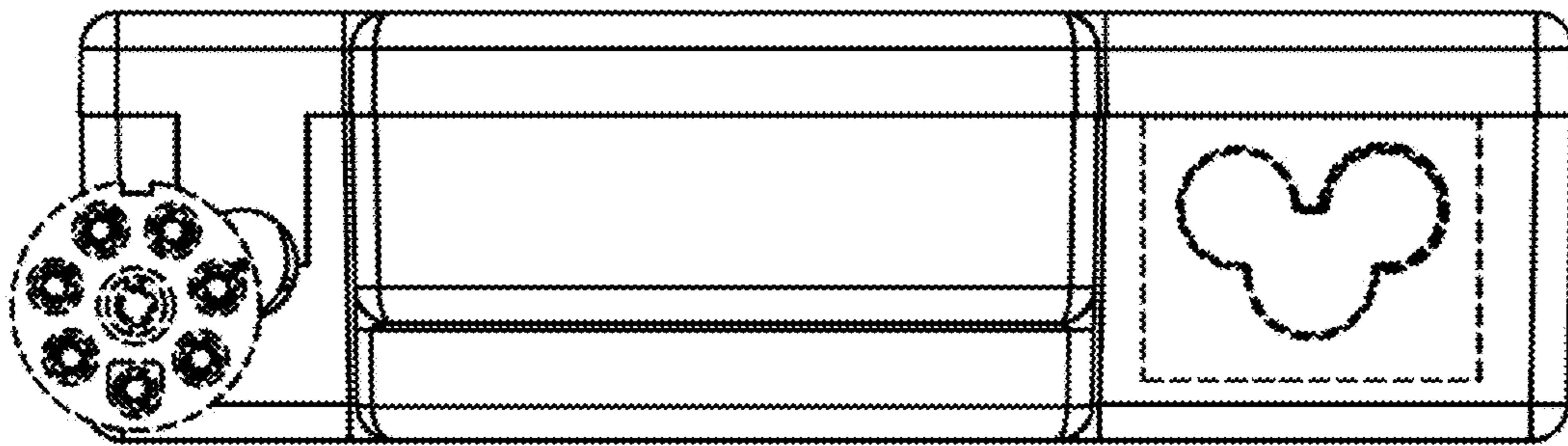


FIG. 5

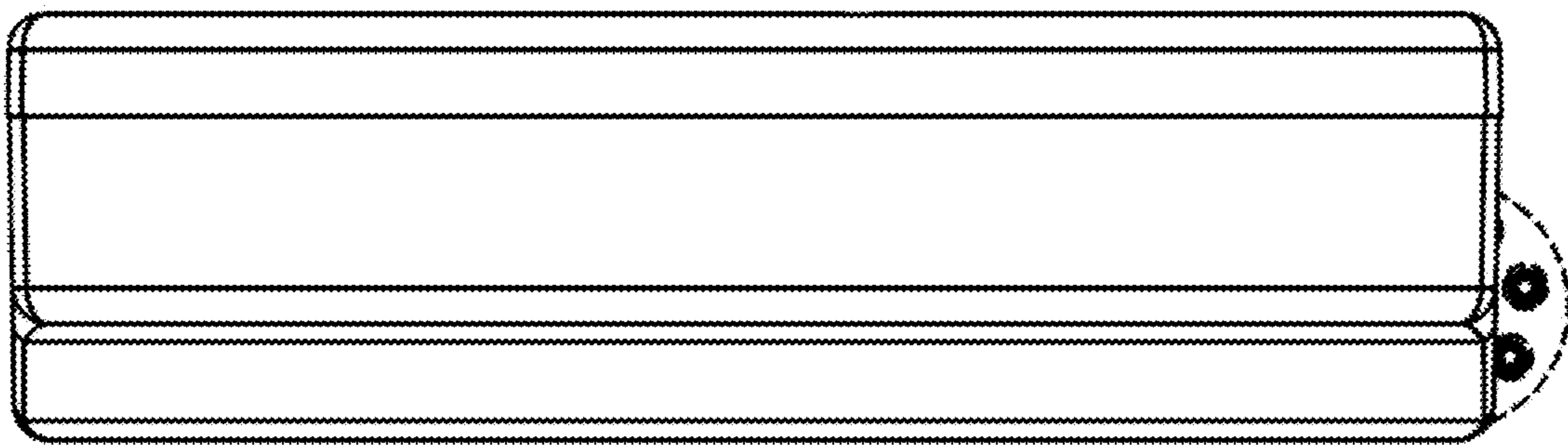


FIG. 6

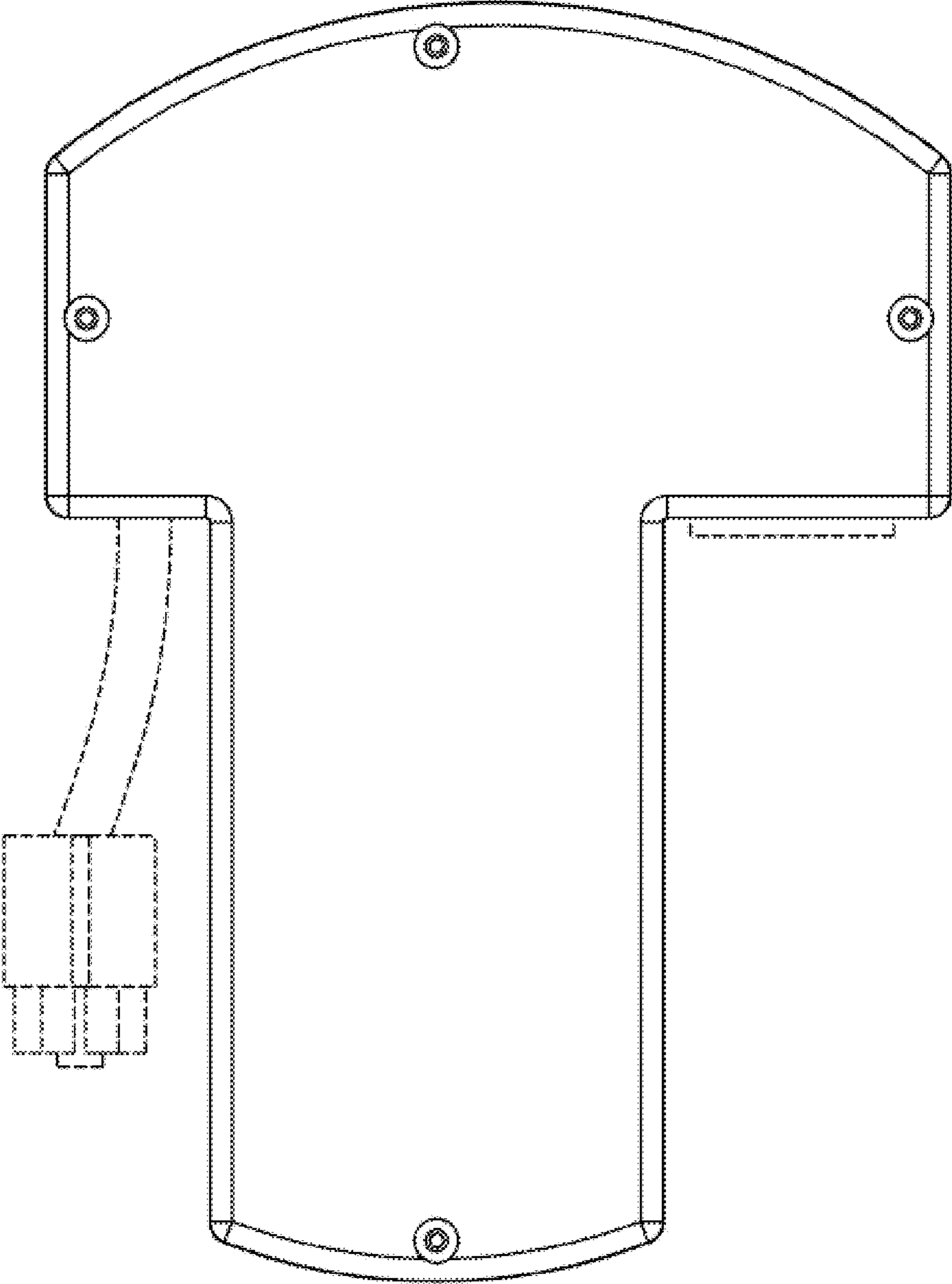


FIG. 7



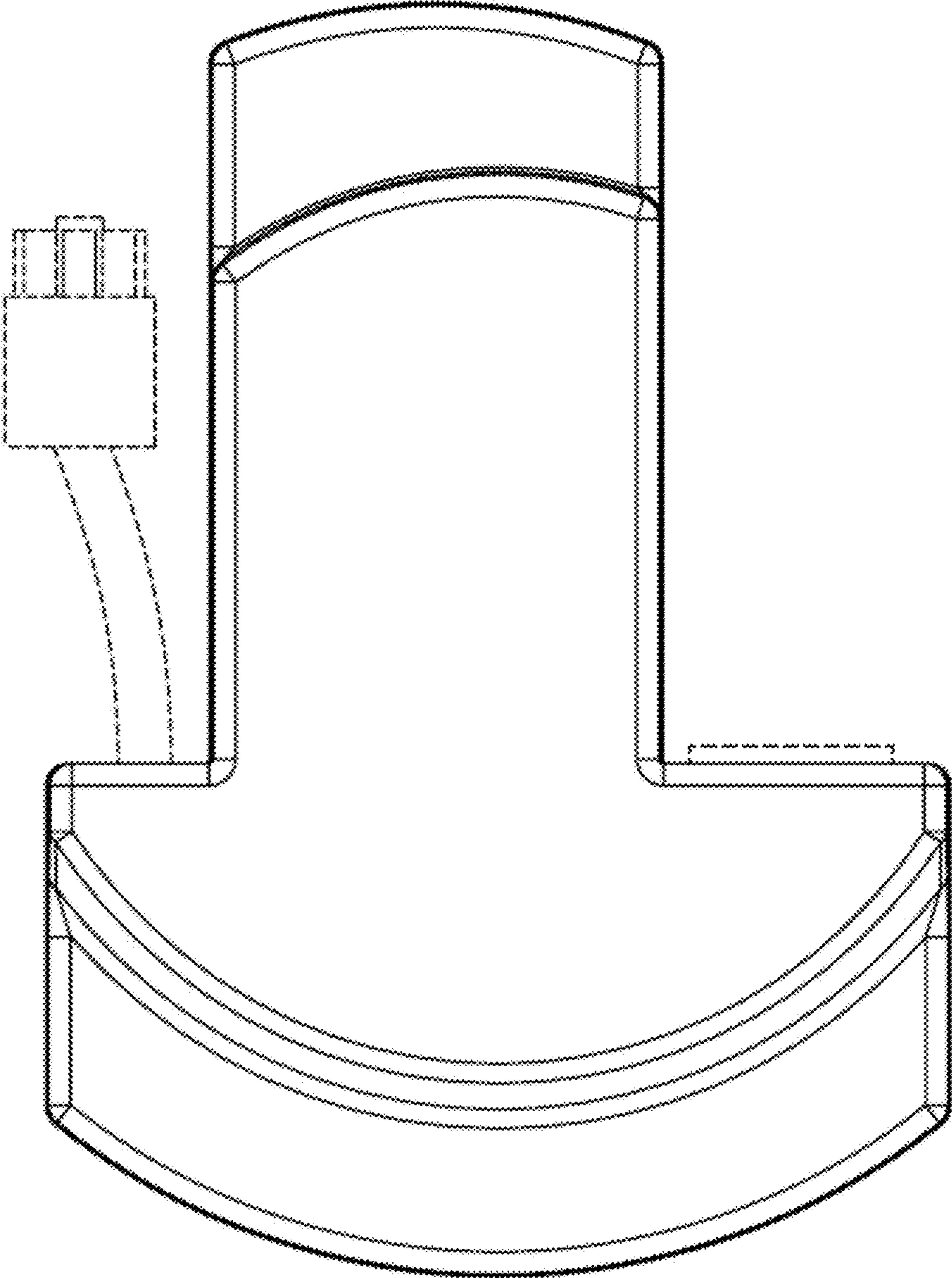
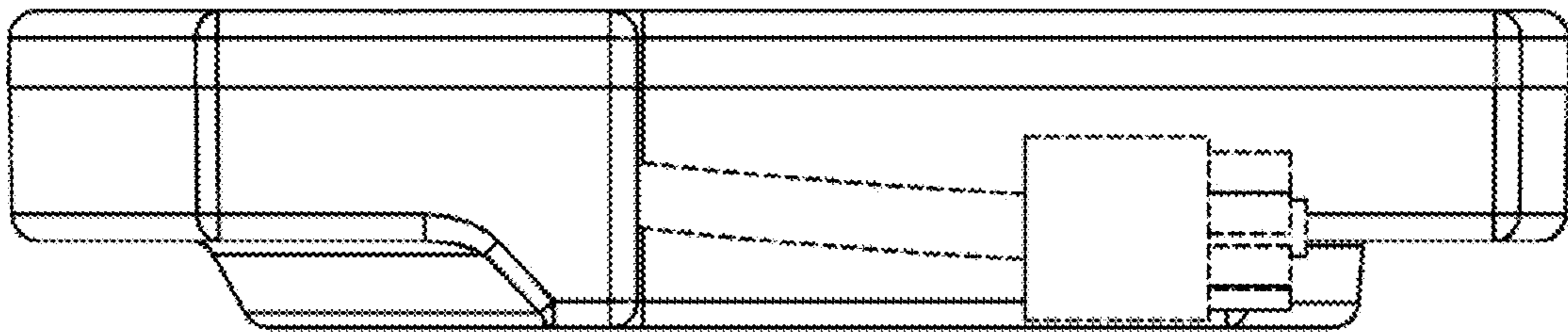
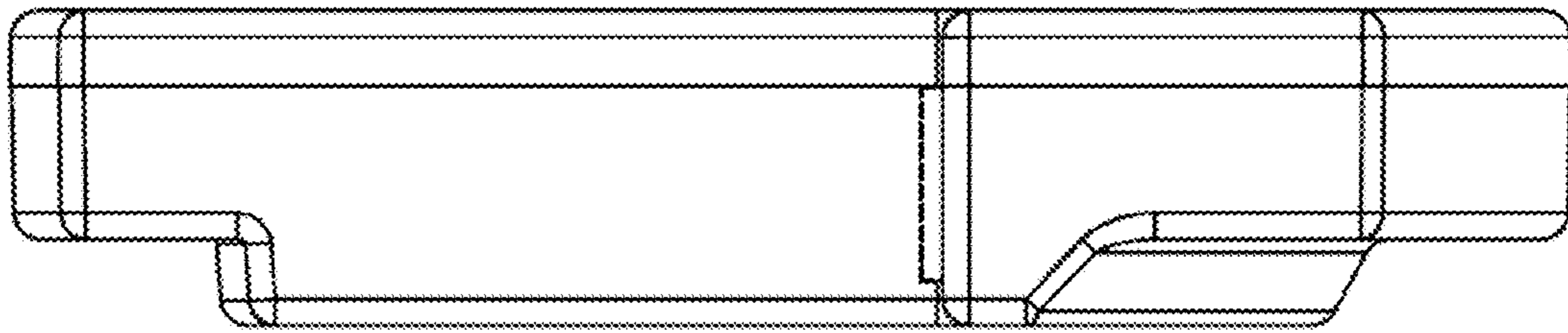


FIG. 8



**FIG. 9**



**FIG. 10**