



US00D696206S

(12) **United States Design Patent**
Woodlief

(10) **Patent No.:** **US D696,206 S**

(45) **Date of Patent:** **** Dec. 24, 2013**

(54) **BRACE MEMBER**

(75) Inventor: **Wallace Sanford Woodlief**, Houston,
TX (US)

(73) Assignee: **Enduro Composites, Inc.**, Houston, TX
(US)

(**) Term: **14 Years**

(21) Appl. No.: **29/416,019**

(22) Filed: **Mar. 16, 2012**

(51) **LOC (9) Cl.** **13-03**

(52) **U.S. Cl.**
USPC **D13/155**

(58) **Field of Classification Search**

USPC D13/133, 149, 151, 153, 154, 155, 156,
D13/158, 170, 184, 199; D8/339, 342, 343,
D8/344, 349, 354, 364, 366, 376, 377, 380,
D8/381; D25/48.2, 119, 120, 121, 123,
D25/126, 13, 132, 133, 136, 164; 439/110,
439/115, 116, 119, 120, 121, 122, 207, 209,
439/210, 211; 174/68.2, 74.3, 74.4, 74.2,
174/95, 97, 99 B, 101, 365; 248/55, 65,
248/67.5, 73; 52/653.1

See application file for complete search history.

(56) **References Cited**

U.S. PATENT DOCUMENTS

3,384,855 A * 5/1968 Jorgensen et al. 439/114
D240,707 S * 7/1976 Rudinski D8/377
D251,806 S * 5/1979 Brady D25/119
4,695,019 A 9/1987 Lindberg et al.
4,991,056 A * 2/1991 Shimizu et al. 361/679.02
D345,427 S * 3/1994 Moss et al. D25/119

6,246,004 B1 * 6/2001 Faccin 174/95
D455,336 S * 4/2002 Anderson D8/377
D489,465 S * 5/2004 Allsopp D25/119
D584,941 S * 1/2009 Broehl et al. D8/377
D585,267 S * 1/2009 Di Vinadio D8/377

FOREIGN PATENT DOCUMENTS

ES 2097015 3/1995
FR 2395449 1/1979
WO 2006125907 A2 11/2006

OTHER PUBLICATIONS

cope-glas TM, Fiberglass Cable Tray Product Catalog (2007),
retrieved from www.simrep.com/copeglas.pdf.

* cited by examiner

Primary Examiner — Derrick Holland

Assistant Examiner — Lauren Calve

(74) *Attorney, Agent, or Firm* — Bracewell & Giuliani LLP

(57) **CLAIM**

I claim the ornamental design for a brace member, as shown
and described.

DESCRIPTION

FIG. 1 is a perspective view of a brace member of my inven-
tion;

FIG. 2 is a front elevation view of the brace member of FIG.
1;

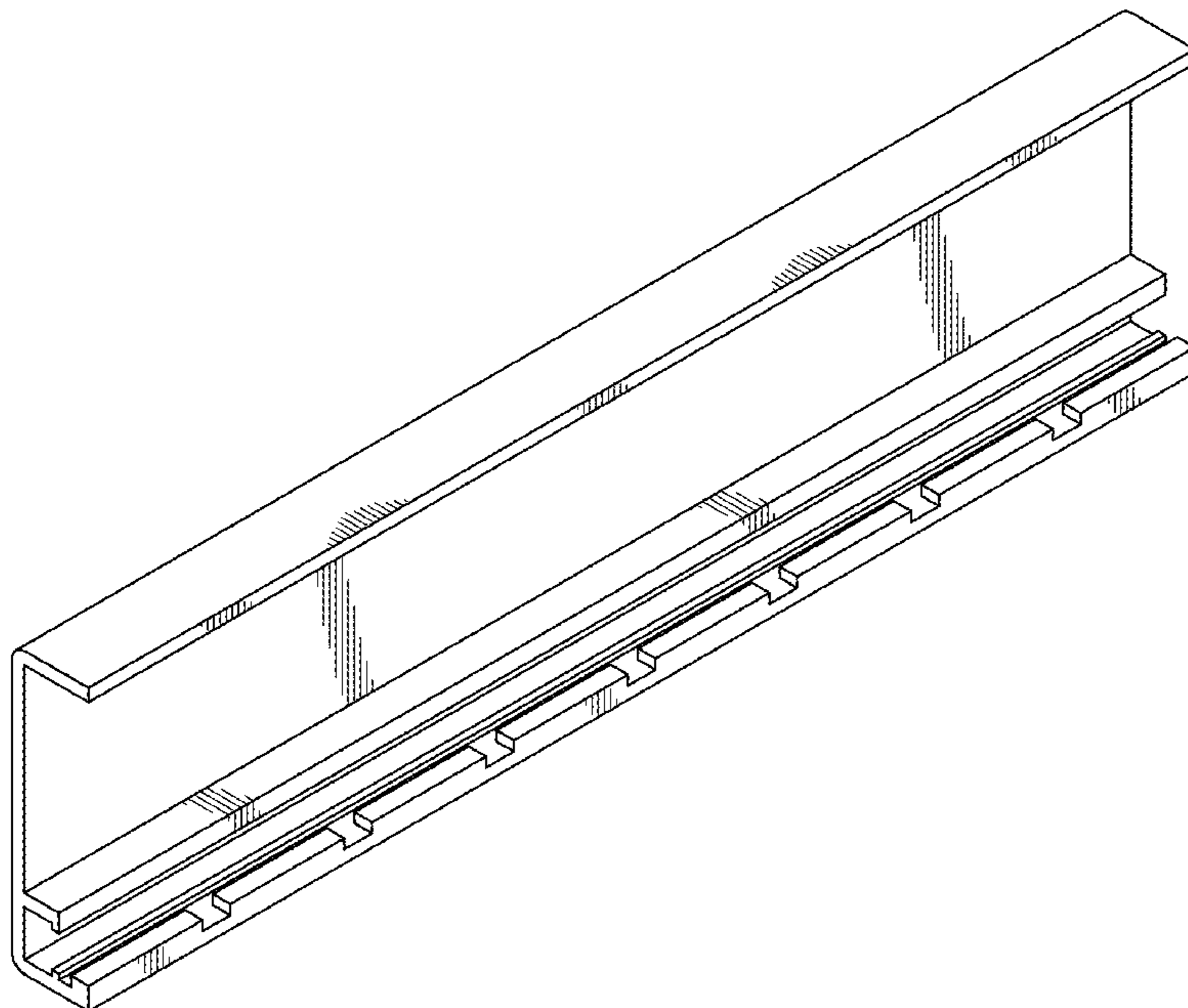
FIG. 3 is rear elevation view of the brace member of FIG. 1;

FIG. 4 is a top plan view of the brace member of FIG. 1;

FIG. 5 is a bottom plan view of the brace member of FIG. 1;
and,

FIG. 6 is a left side elevation view of the brace member of
FIG. 1, the right side being a mirror image.

1 Claim, 3 Drawing Sheets



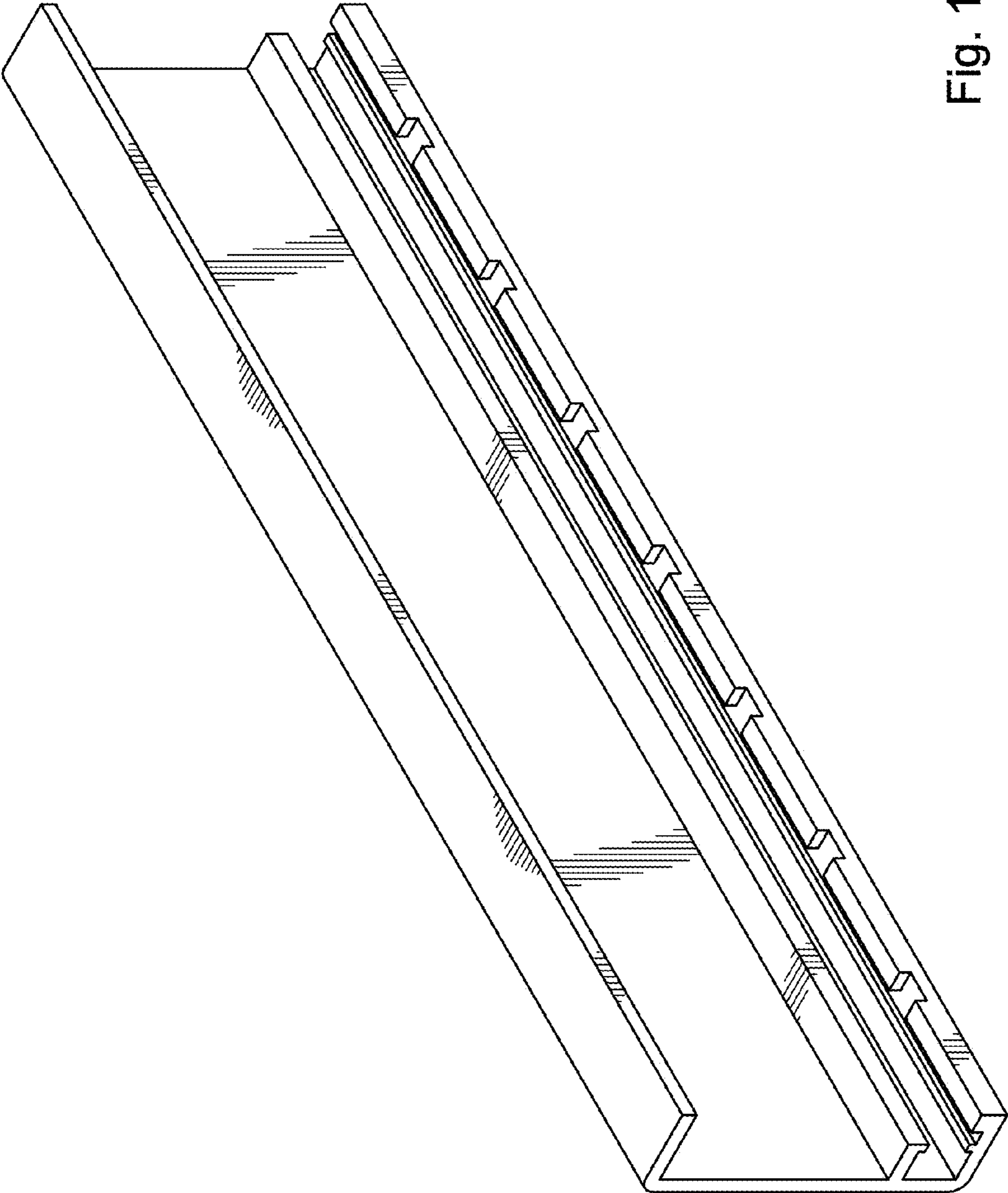


Fig. 1

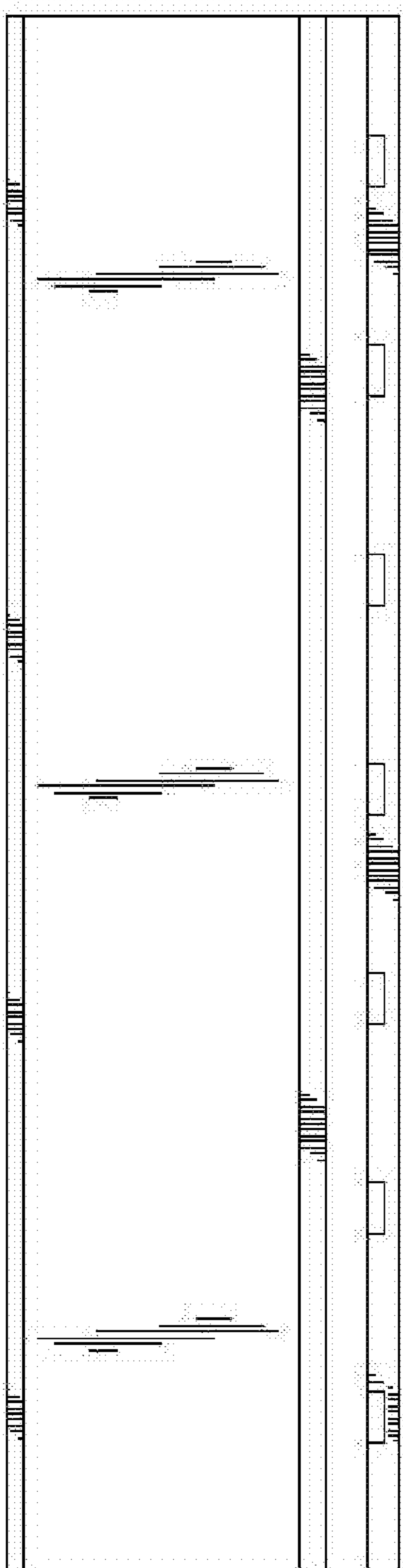


Fig. 2

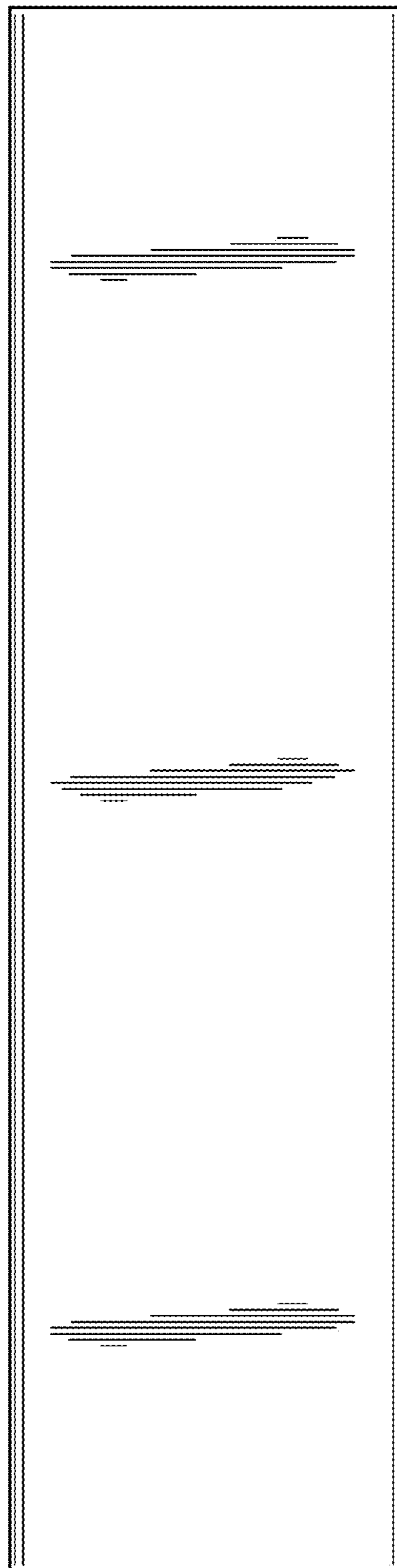


Fig. 3

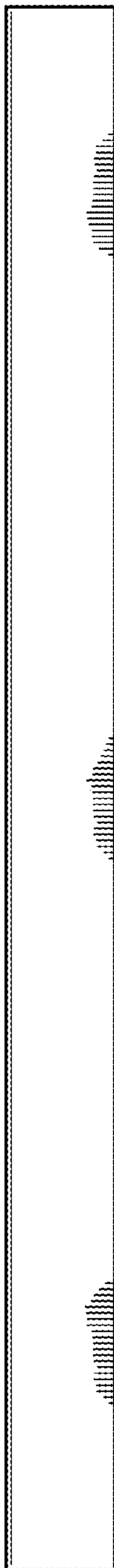


Fig. 4



Fig. 5



Fig. 6