

US00D696204S

(12) **United States Design Patent**
Lee et al.

(10) **Patent No.:** **US D696,204 S**
(45) **Date of Patent:** **** Dec. 24, 2013**

- (54) **CABLE-SPLITTER**
- (71) Applicant: **Monster, LLC**, Las Vegas, NV (US)
- (72) Inventors: **Noel Lee**, Las Vegas, NV (US);
Kendrew Lee, Hong Kong (HK); **Minki Bang**, Daly City, CA (US)
- (73) Assignee: **Monster, LLC**, Las Vegas, NV (US)
- (**) Term: **14 Years**
- (21) Appl. No.: **29/434,631**
- (22) Filed: **Oct. 15, 2012**
- (51) **LOC (9) Cl.** **13-03**
- (52) **U.S. Cl.**
USPC **D13/154**
- (58) **Field of Classification Search**
USPC D13/139.5, 161, 137.2, 137.1, 133, 127,
D13/124, 139.8, 139.1, 154, 156, 184, 199,
D13/153, 155, 152, 177, 138.1; D14/205,
D14/228; D7/300.2
See application file for complete search history.

- D586,759 S * 2/2009 Victor D13/156
- D643,404 S * 8/2011 Lee et al. D14/205
- 8,068,633 B2 11/2011 Lee et al.
- D651,180 S * 12/2011 Lee et al. D13/154
- D678,198 S * 3/2013 Izen et al. D13/133

* cited by examiner

Primary Examiner — Robert M Spear

Assistant Examiner — Rhea Shields

(74) *Attorney, Agent, or Firm* — LaRiviere, Grubman & Payne, LLP

(57) **CLAIM**

The ornamental design for a cable-splitter, as shown and described.

DESCRIPTION

FIG. 1 is a perspective view of a cable-splitter, showing our design;

FIG. 2 is a front view thereof;

FIG. 3 is a rear view thereof;

FIG. 4 is a side view thereof;

FIG. 5 is an opposing side view thereof;

FIG. 6 is a top view thereof; and,

FIG. 7 is a bottom view thereof.

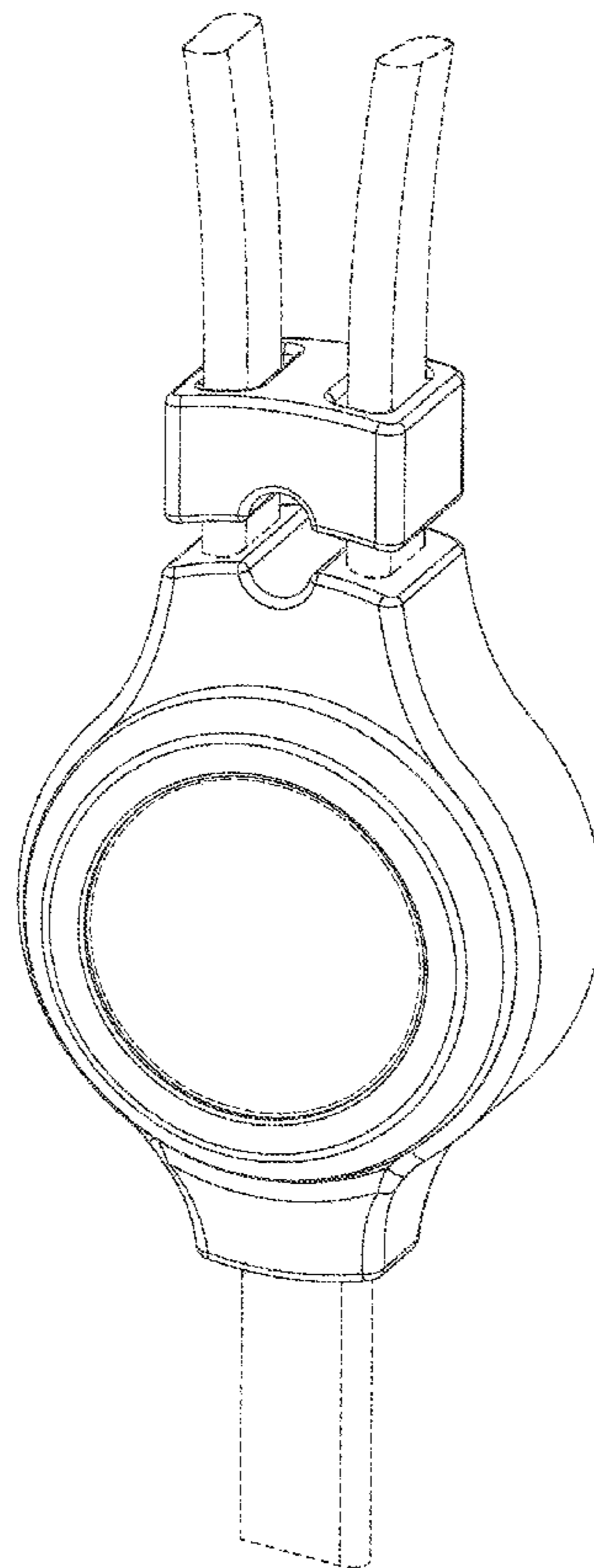
The broken lines showing the environment are for illustrative purposes only and form no part of the claimed design.

(56) **References Cited**

U.S. PATENT DOCUMENTS

- D556,134 S * 11/2007 Lee et al. D13/133
- D569,810 S * 5/2008 Victor D13/154

1 Claim, 5 Drawing Sheets



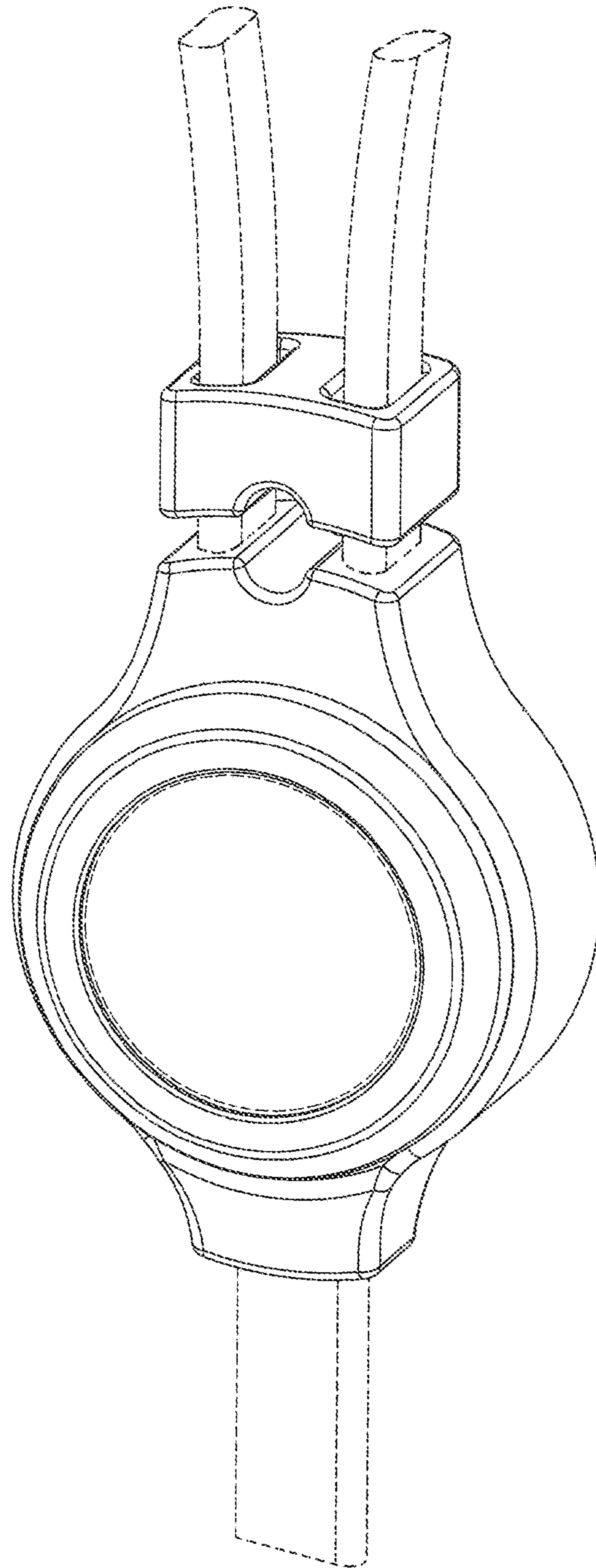


FIG. 1

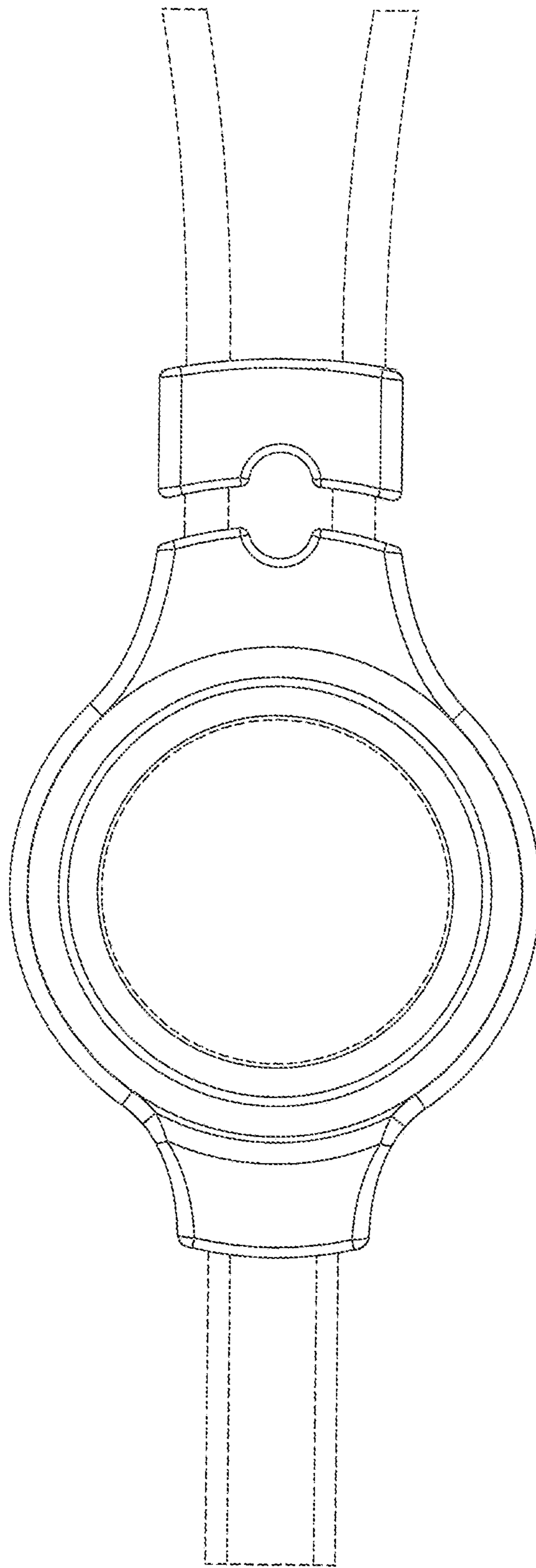


FIG. 2

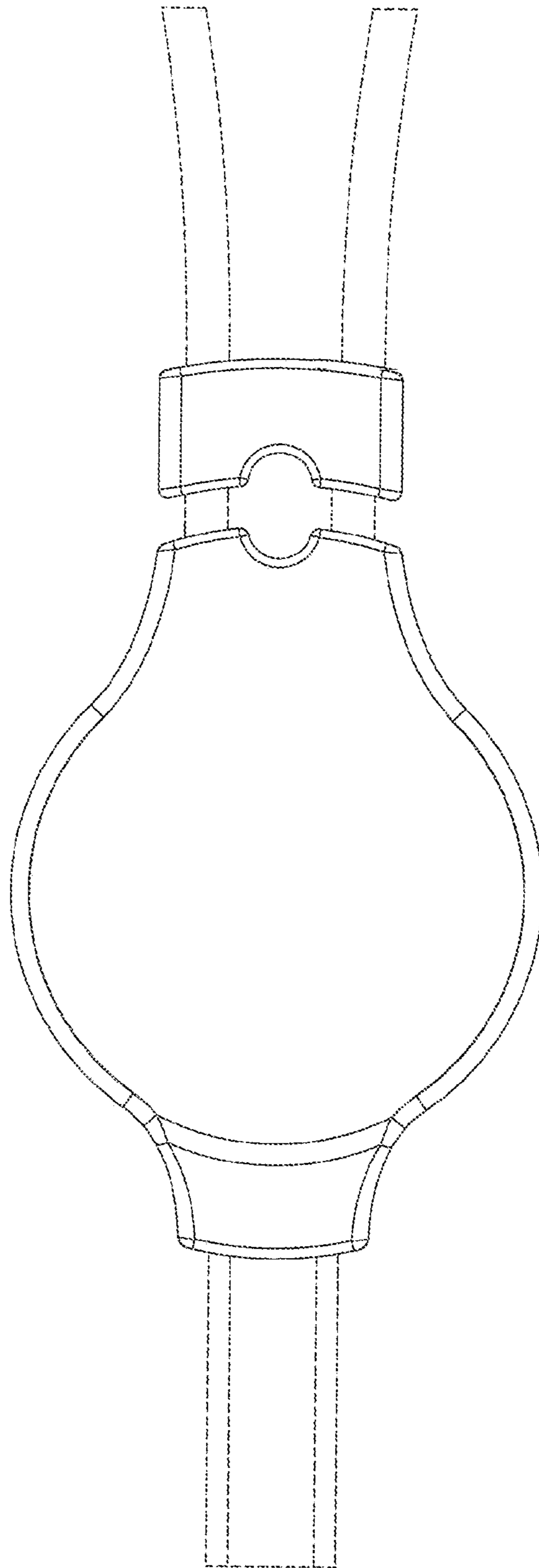


FIG. 3

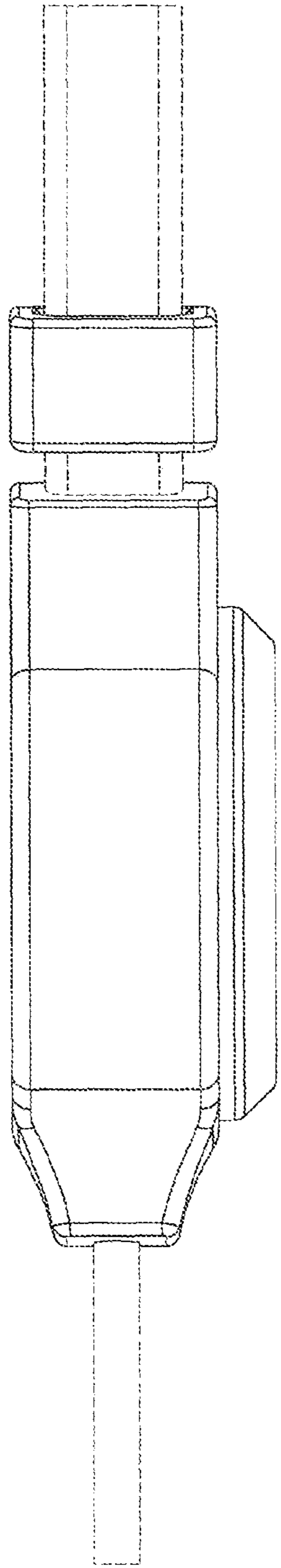


FIG. 4

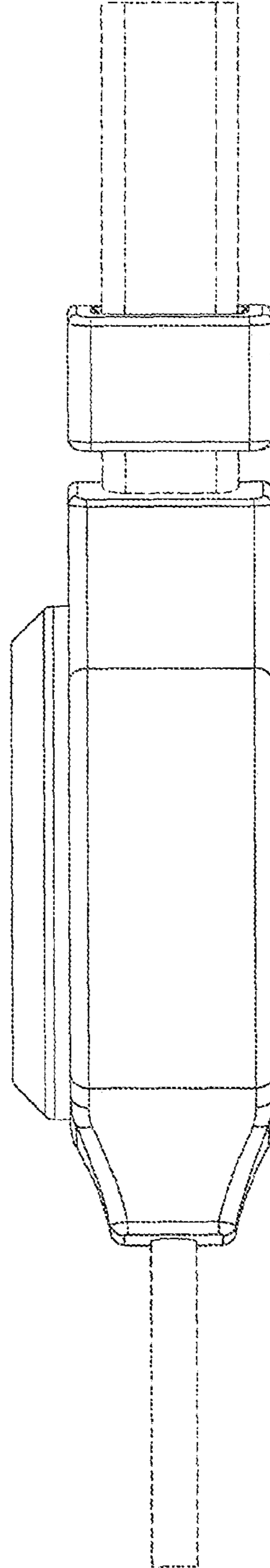


FIG. 5

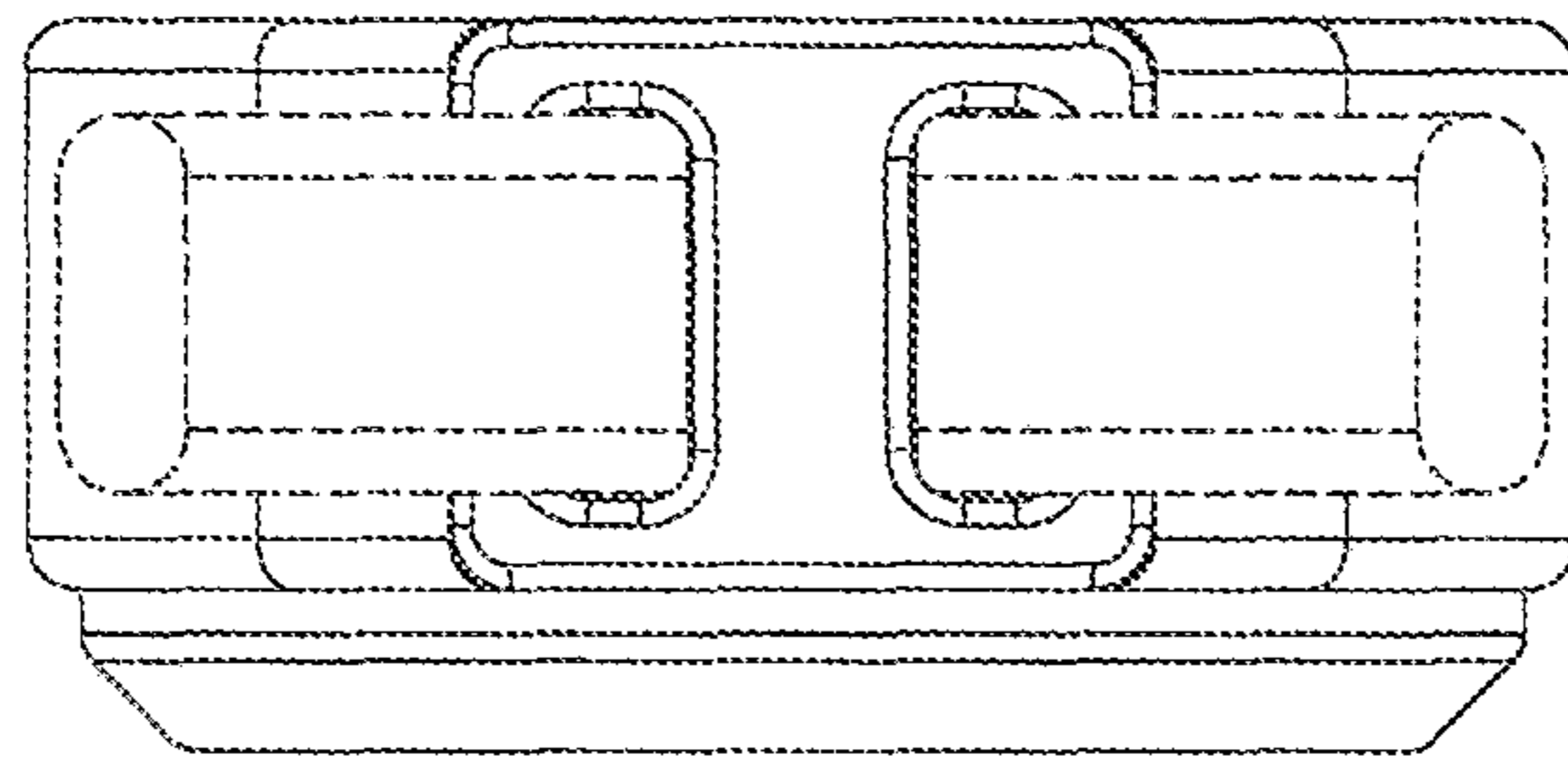


FIG. 6

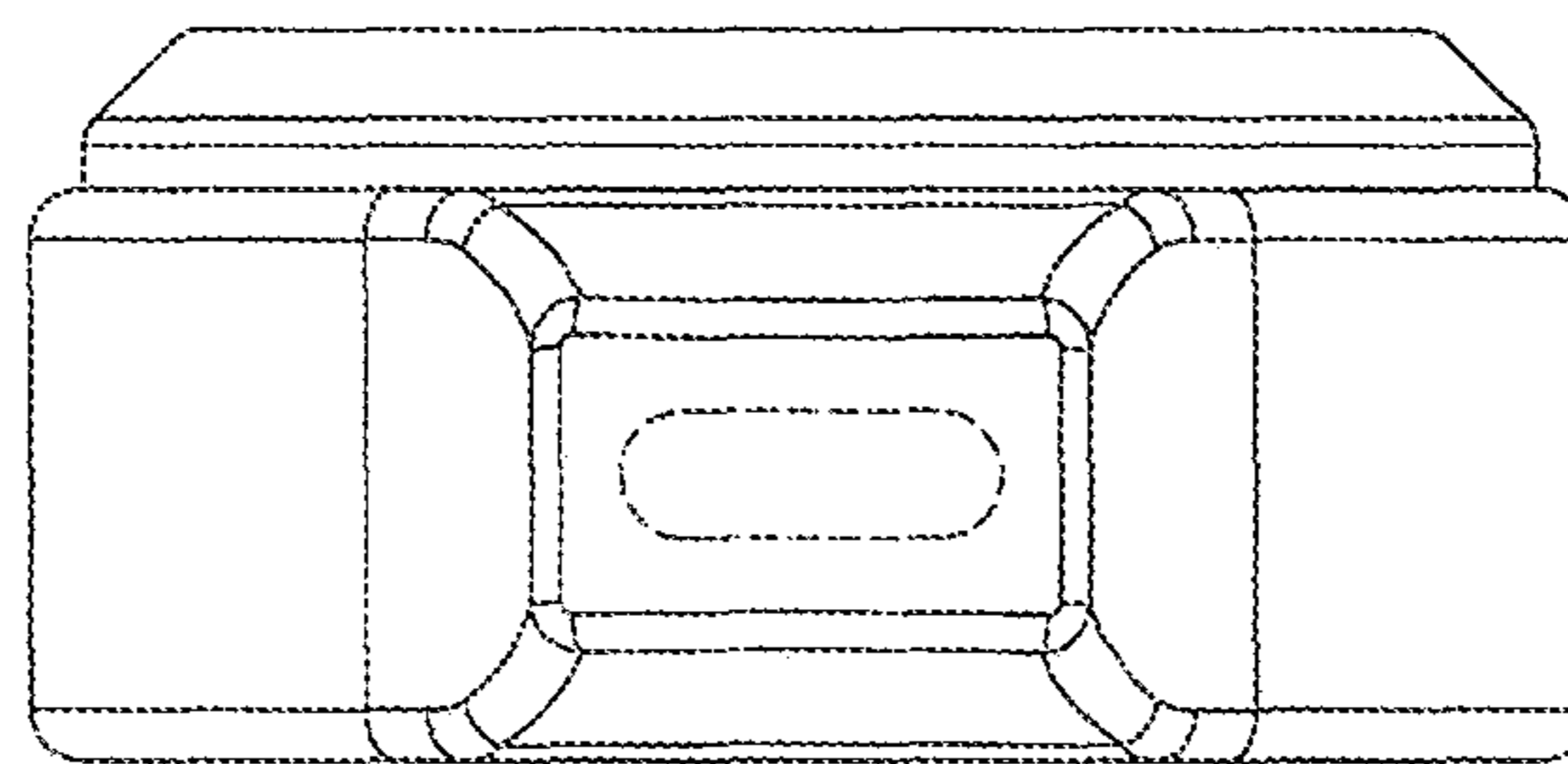


FIG. 7