



US00D696198S

(12) **United States Design Patent**
Roy et al.

(10) **Patent No.:** **US D696,198 S**
(45) **Date of Patent:** **** Dec. 24, 2013**

(54) **ELECTRICAL WIRING DEVICE DESIGN WITH VERTICALLY ORIENTED LOW VOLTAGE PORTS AND HIGH VOLTAGE OUTLET RECEPTACLES**

(71) Applicant: **Pass & Seymour, Inc.**, Syracuse, NY (US)

(72) Inventors: **Thomas F. Roy**, Camillus, NY (US);
Gretchen M. Valentino, Skaneateles, NY (US)

(73) Assignee: **Pass & Seymour, Inc.**, Syracuse, NY (US)

(**) Term: **14 Years**

(21) Appl. No.: **29/439,452**

(22) Filed: **Dec. 11, 2012**

(51) **LOC (9) Cl.** **13-03**

(52) **U.S. Cl.**
USPC **D13/139.1**

(58) **Field of Classification Search**
USPC D13/152, 164, 184, 137.1, 139.1, 153,
D13/137.2, 133, 137.4, 139.7, 130, 128,
D13/132, 138.2, 139.4, 139.8, 139.6, 123,
D13/160, 107; 361/683; D9/416, 423
See application file for complete search history.

(56) **References Cited**

U.S. PATENT DOCUMENTS

5,954,523	A	9/1999	Babcock	
6,050,849	A	4/2000	Chang	
6,056,578	A	5/2000	Lin	
D430,539	S *	9/2000	Leopold et al. D13/139.3
6,141,221	A	10/2000	Tong et al.	
6,210,216	B1	4/2001	Tso-Chin et al.	
6,211,581	B1	4/2001	Farrant	
6,305,986	B1	10/2001	Hwang	
6,346,009	B1	2/2002	Lin	
6,362,987	B1	3/2002	Yurek et al.	
D462,660	S *	9/2002	Huang et al. D13/139.3
D465,769	S	11/2002	Zhang et al.	

6,722,917	B2	4/2004	Huang	
6,722,924	B1	4/2004	Zhou et al.	
6,736,677	B1	5/2004	Lin et al.	
D494,934	S	8/2004	Milan	
6,776,658	B2	8/2004	Tang	
6,799,997	B2	10/2004	Lin et al.	
6,811,415	B2	11/2004	Chen	
6,843,684	B2	1/2005	Milan	
6,943,296	B2	9/2005	Perrella et al.	
D531,121	S *	10/2006	Fort et al. D13/139.3
7,140,922	B2	11/2006	Luu et al.	
D535,256	S *	1/2007	Fort et al. D13/139.3

(Continued)

Primary Examiner — Robert M Spear

Assistant Examiner — Rhea Shields

(74) *Attorney, Agent, or Firm* — Daniel P. Malley; Bond Schoeneck & King, PLLC

(57) **CLAIM**

The ornamental design for an electrical wiring device with vertically oriented low voltage ports and high voltage outlet receptacles, as shown and described.

DESCRIPTION

FIG. 1 is an isometric view of a first embodiment of an electrical wiring device with vertically oriented low voltage ports and high voltage outlet receptacles showing my new design;

FIG. 2 is a front elevational view thereof;

FIG. 3 is a side elevational view thereof;

FIG. 4 is an end elevational view thereof;

FIG. 5 is a front elevational view thereof shown in an environment of use;

FIG. 6 is an isometric view of a second embodiment of an electrical wiring device with vertically oriented low voltage ports and high voltage outlet receptacles showing my new design;

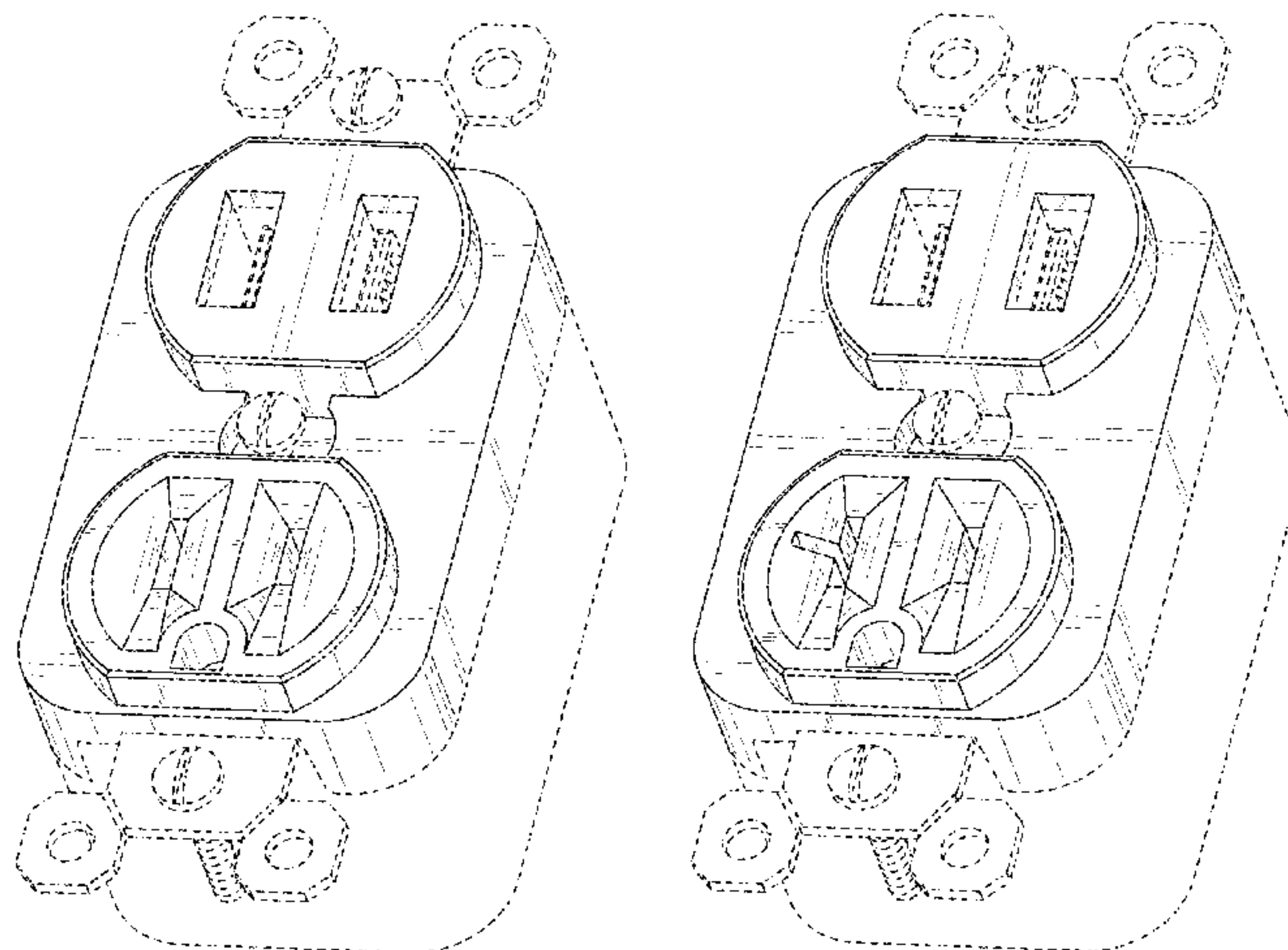
FIG. 7 is a front elevational view thereof;

FIG. 8 is a side elevational view thereof; and,

FIG. 9 is an end elevational view thereof.

The broken lines in the figures illustrate unclaimed environment only and form no part of the claimed design.

1 Claim, 9 Drawing Sheets



(56)

References Cited

U.S. PATENT DOCUMENTS

7,167,372 B2	1/2007	Mori et al.	7,855,528 B2	12/2010	Lee
D536,305 S *	2/2007	Fort et al. D13/139.6	7,997,925 B2	8/2011	Lam et al.
D542,223 S *	5/2007	Bazayev et al. D13/139.3	8,011,937 B2	9/2011	Oddsens et al.
7,212,420 B2	5/2007	Liao	8,115,591 B2	2/2012	Fair et al.
D545,272 S *	6/2007	Zhang et al. D13/139.3	8,134,254 B2	3/2012	Makwinski
7,242,111 B2	7/2007	Menas et al.	8,170,623 B2	5/2012	Dorogusker et al.
D558,676 S *	1/2008	Fort et al. D13/139.3	D674,753 S *	1/2013	Jansen et al. D13/139.1
7,338,328 B2	3/2008	Krieger et al.	2005/0088834 A1	4/2005	Milan
7,528,323 B2	5/2009	Wu et al.	2006/0085584 A1	4/2006	Chen et al.
D598,859 S *	8/2009	Vaccaro et al. D13/139.3	2007/0015401 A1	1/2007	Sun
D601,962 S *	10/2009	Song D13/139.6	2007/0072476 A1	3/2007	Milan
D604,873 S *	11/2009	Richter et al. D26/26	2007/0182363 A1	8/2007	Yang
D607,816 S	1/2010	Chen et al.	2007/0247800 A1	10/2007	Smith et al.
7,766,698 B1	8/2010	De Iuliis et al.	2008/0012423 A1	1/2008	Mimran
			2008/0122292 A1	5/2008	Minami
			2008/0318474 A1	12/2008	Crottinger et al.
			2010/0246232 A1	9/2010	Chen et al.

* cited by examiner

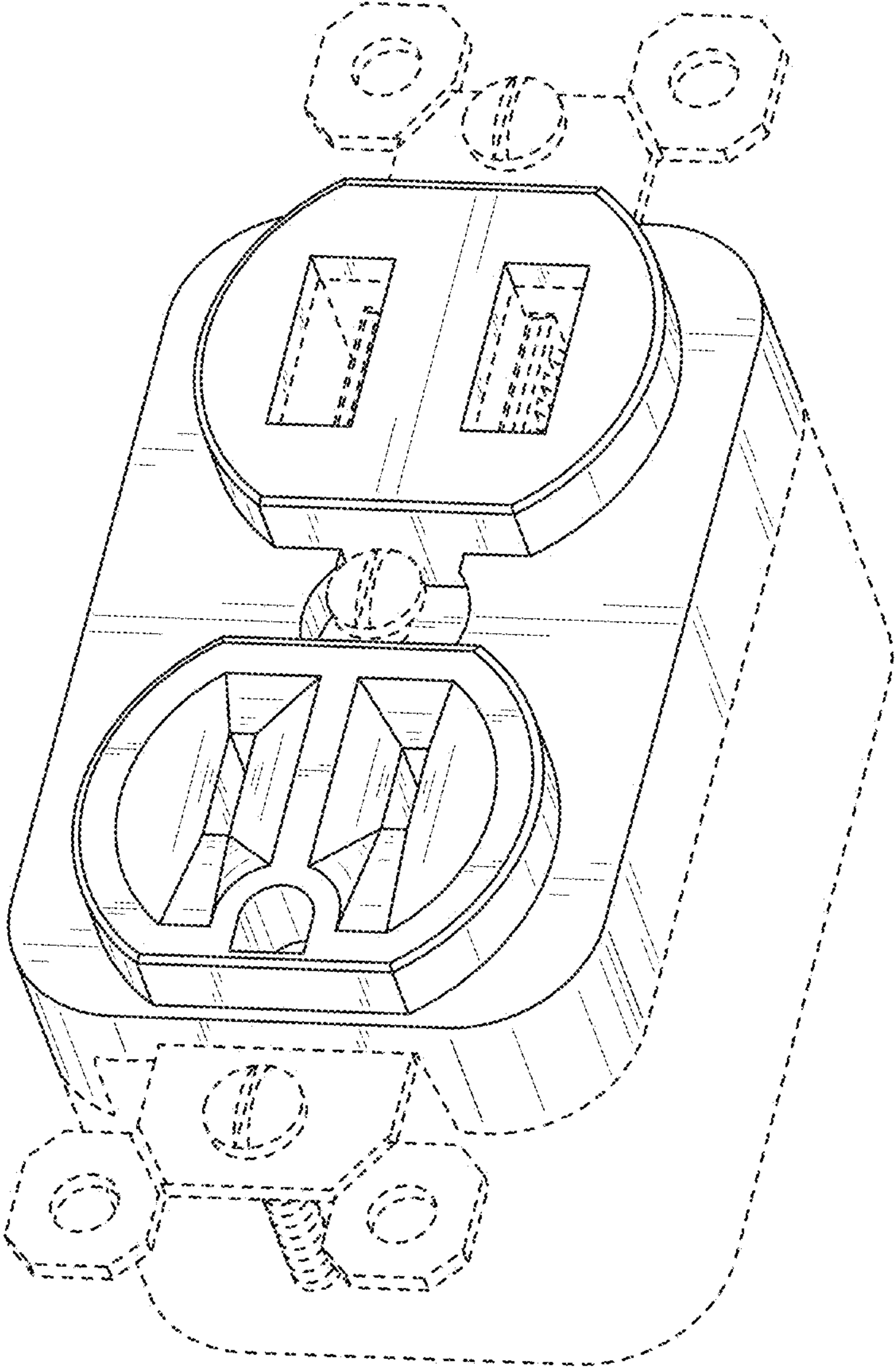


FIG. 1

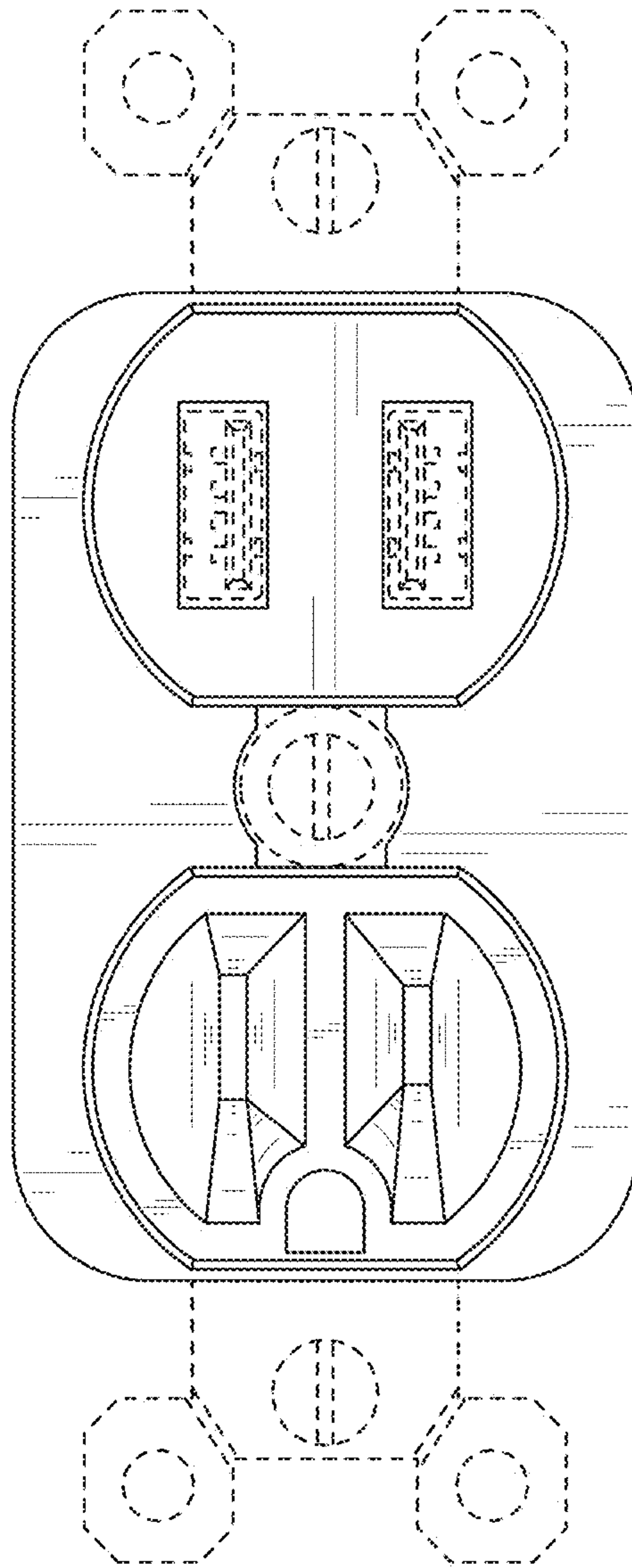


FIG. 2

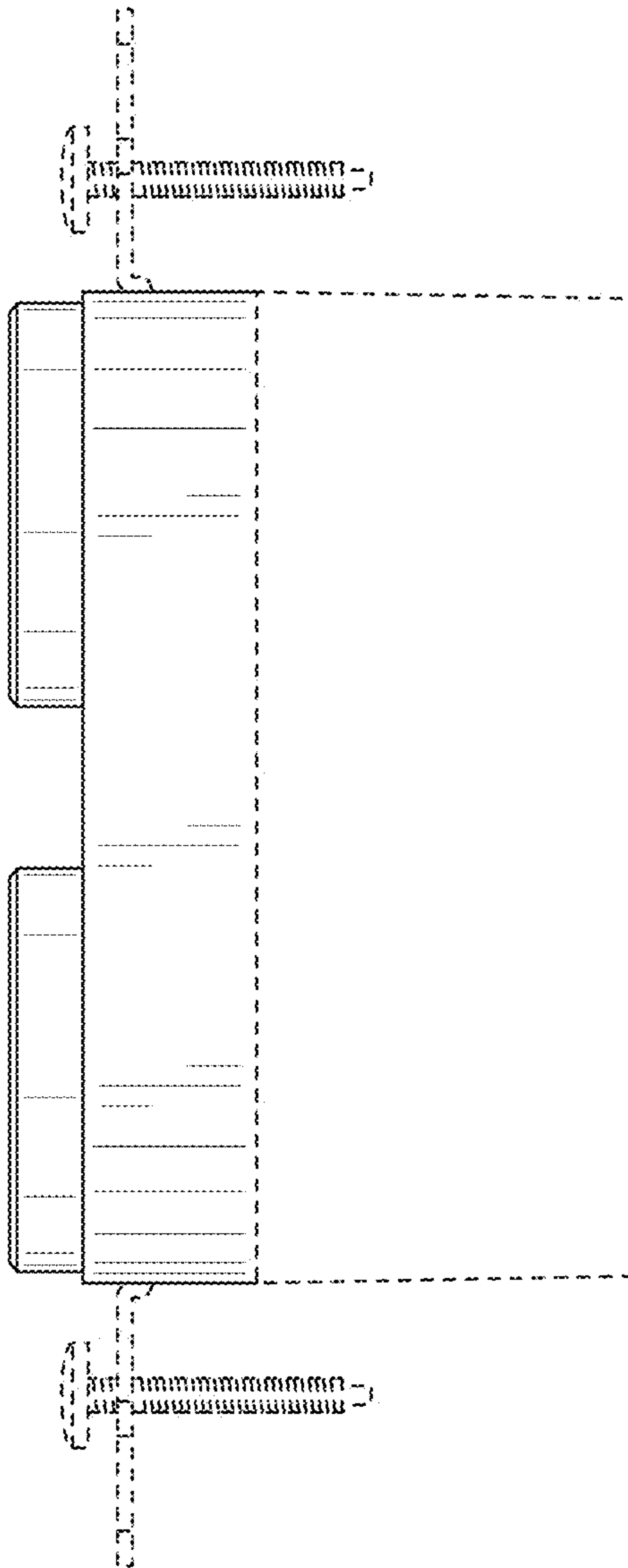


FIG. 3

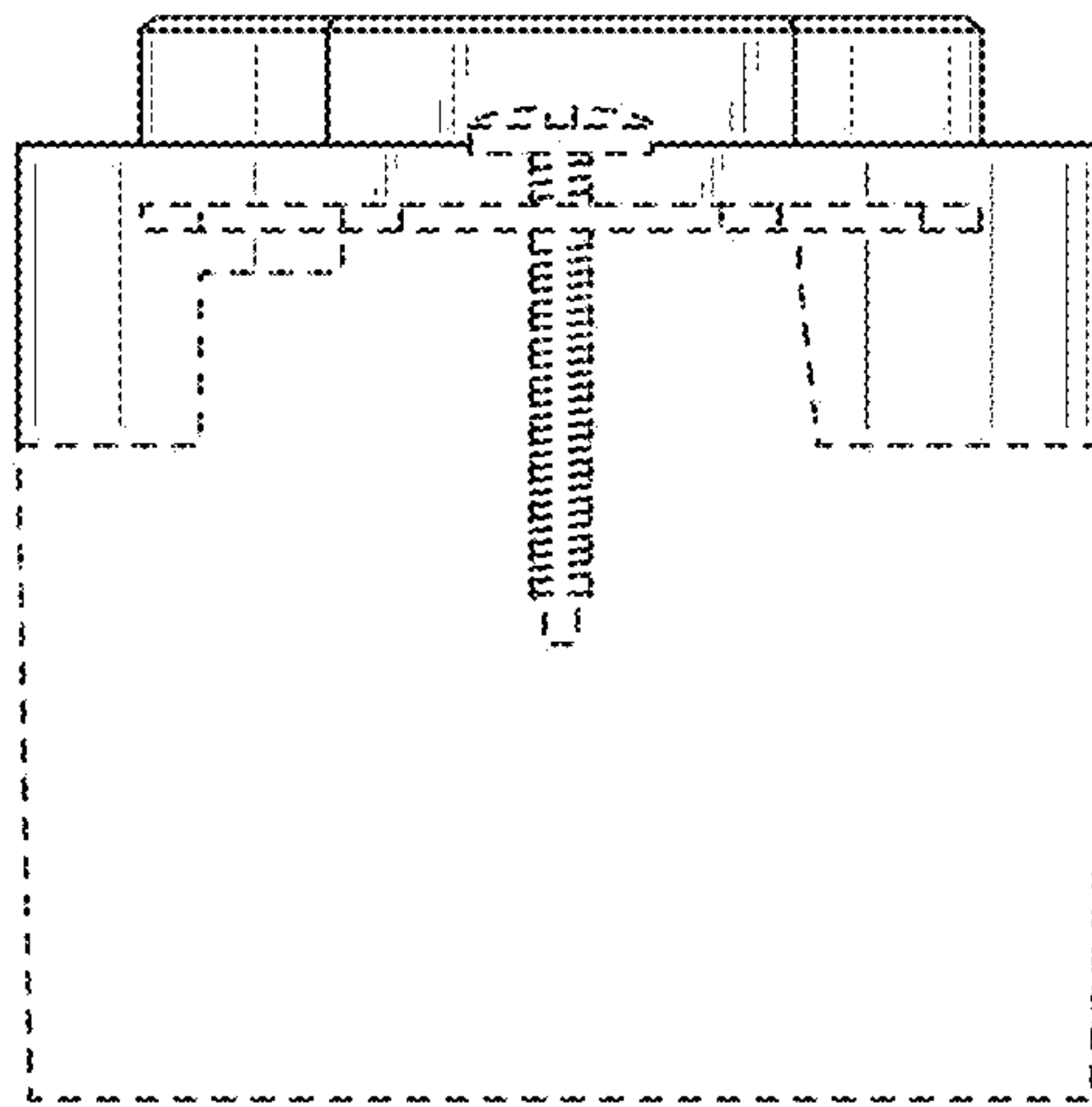


FIG. 4

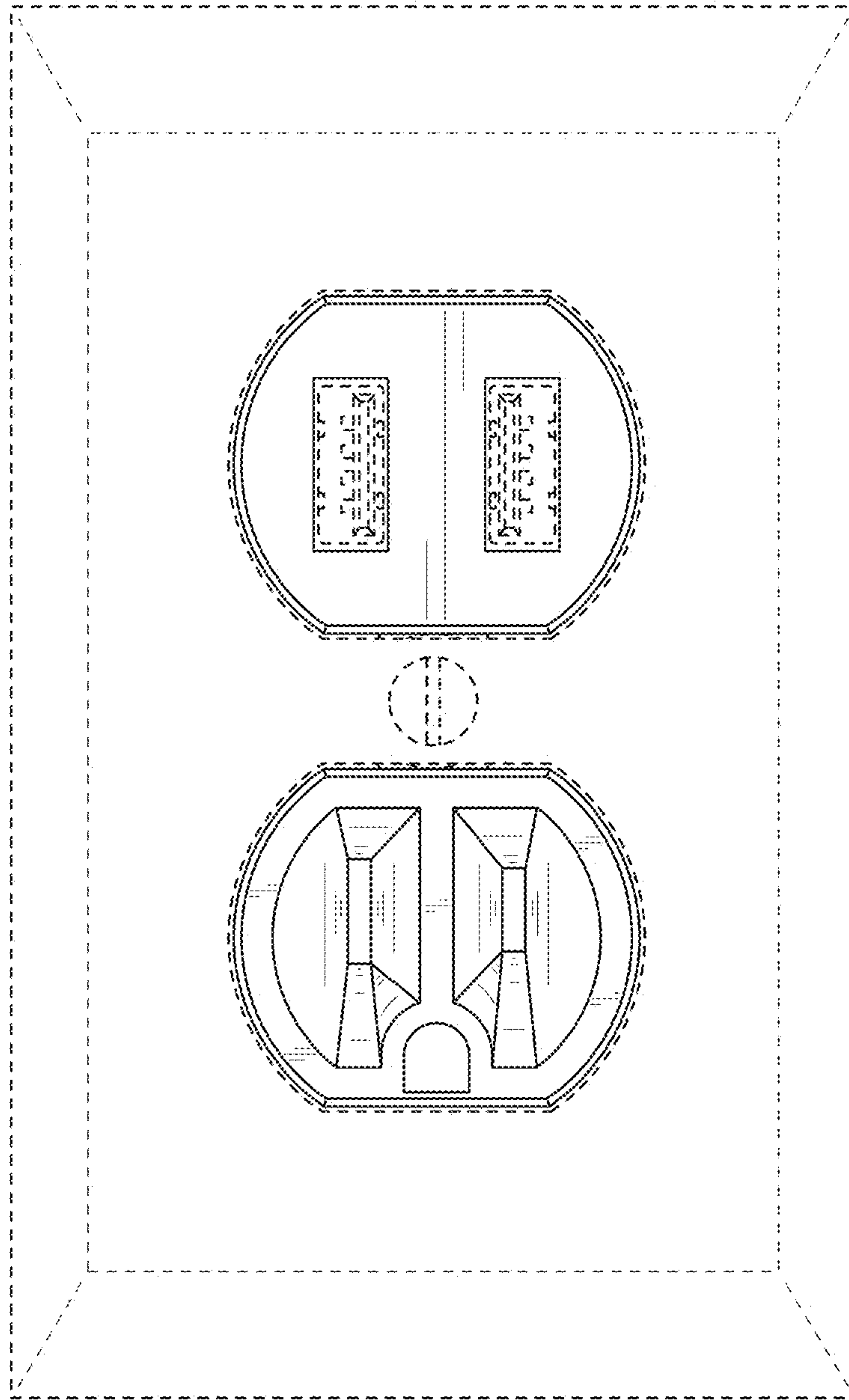


FIG. 5

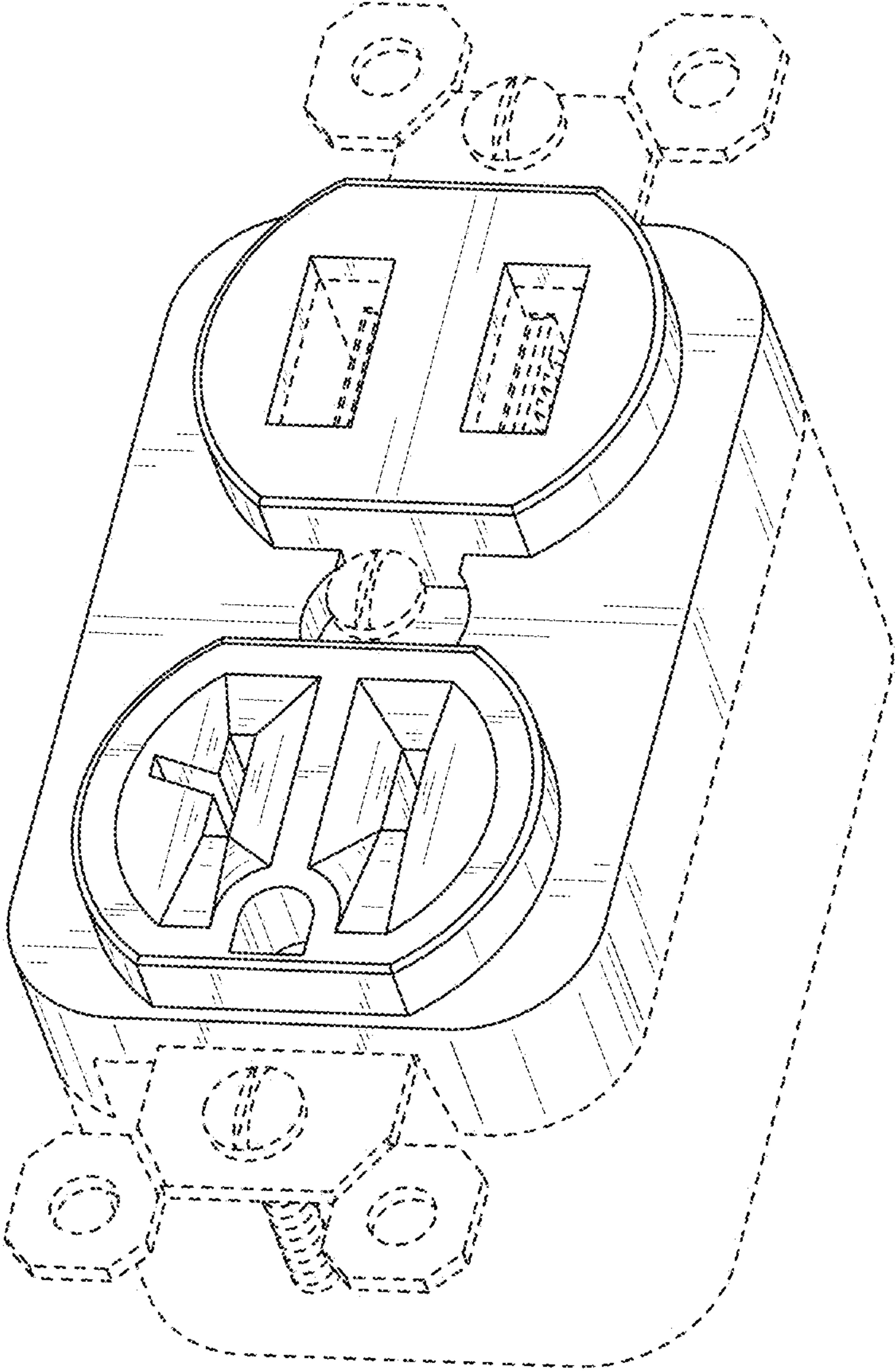


FIG. 6

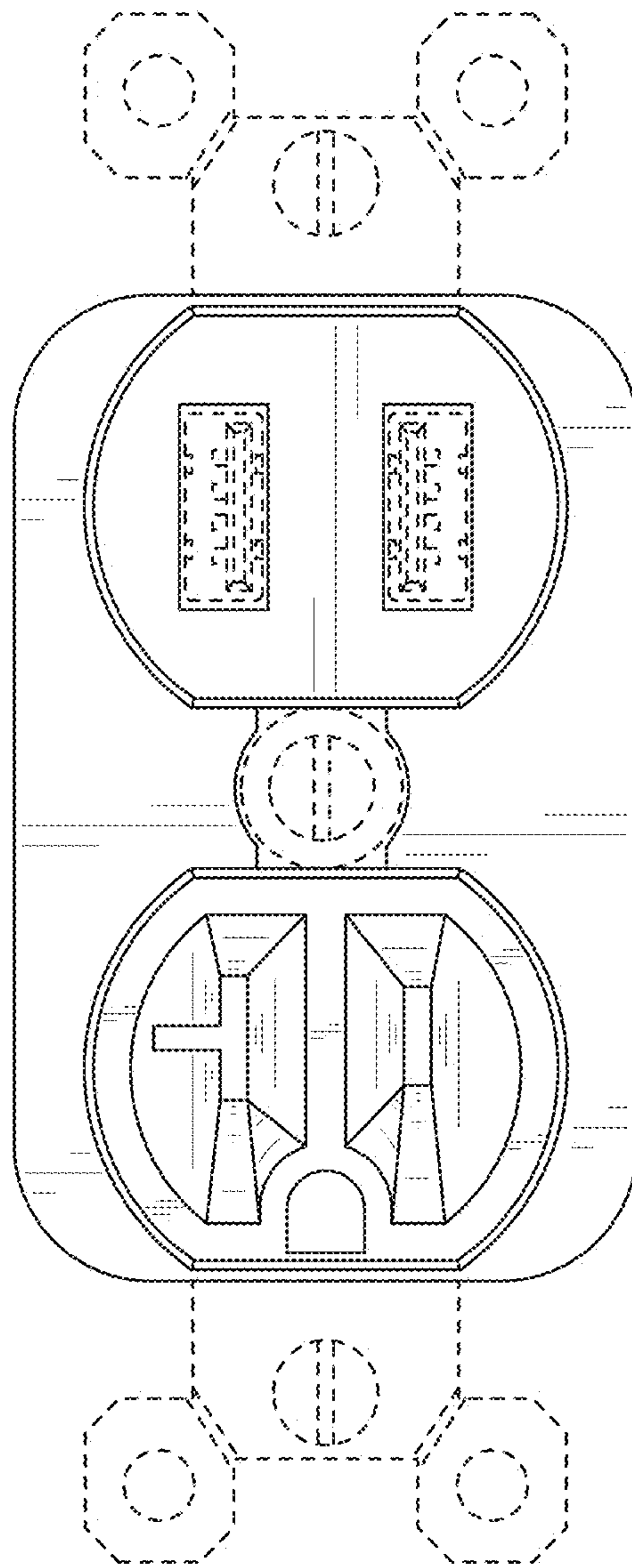


FIG. 7

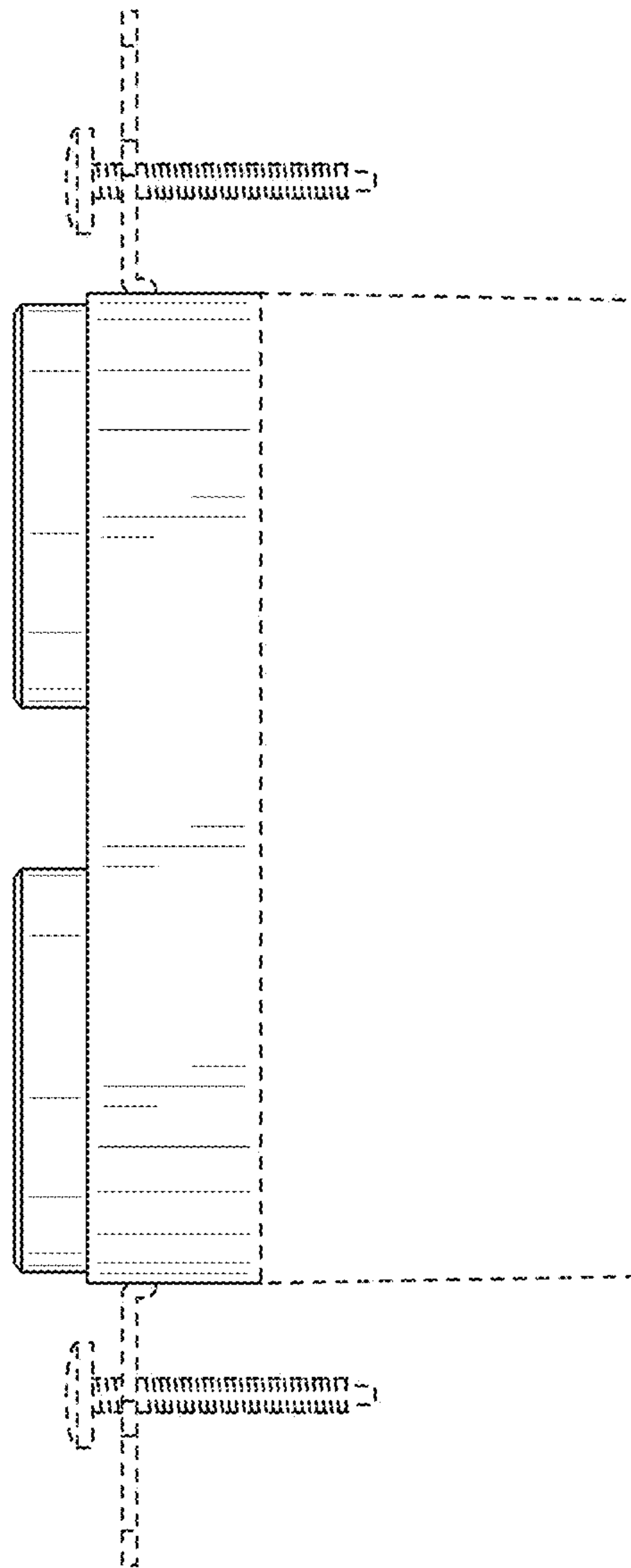


FIG. 8

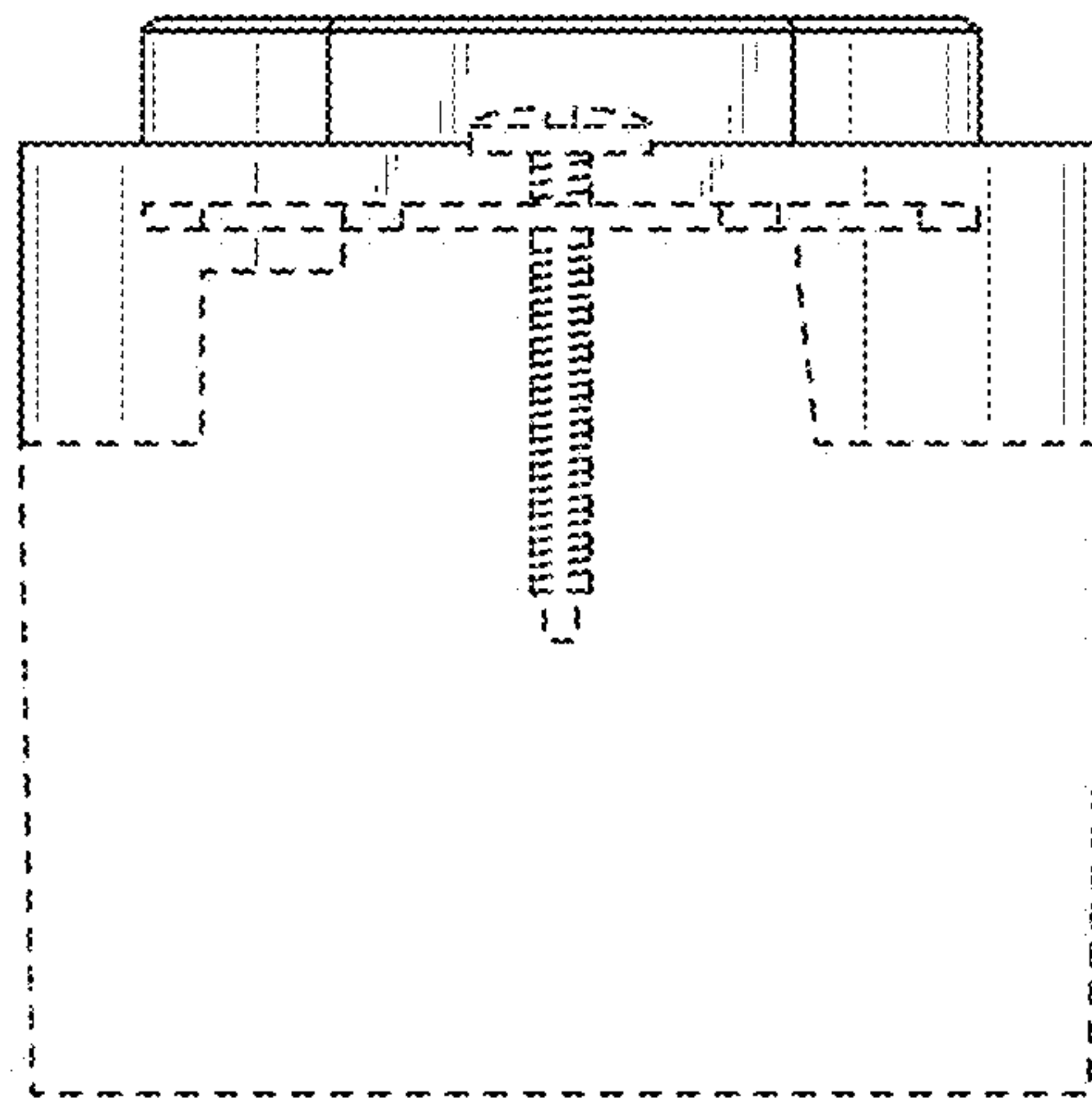


FIG. 9