



US00D696196S

(12) **United States Design Patent**
Plato et al.

(10) **Patent No.:** **US D696,196 S**

(45) **Date of Patent:** **** Dec. 24, 2013**

(54) **STANDBY GENERATOR**

(75) Inventors: **Michelle L. Plato**, Fort Atkinson, WI (US); **Robert G. Townsend**, Delafield, WI (US); **David J. Kujawa**, Waukesha, WI (US); **Frank L. Unterholzner**, Watertown, WI (US)

(73) Assignee: **Briggs & Stratton Corporation**, Wauwatosa, WI (US)

(**) Term: **14 Years**

(21) Appl. No.: **29/378,054**

(22) Filed: **Oct. 28, 2010**

(51) **LOC (9) Cl.** **13-01**

(52) **U.S. Cl.**
USPC **D13/112**

(58) **Field of Classification Search**
USPC D13/112, 101, 122, 113, 114, 116, 118,
D13/184, 199; D23/351, 395; 123/2, 3;
290/1 A, 1 B, 1 R
See application file for complete search history.

(56) **References Cited**

U.S. PATENT DOCUMENTS

D226,011	S	*	1/1973	Plantholt et al.	D13/110
4,495,901	A	*	1/1985	Nannini et al.	123/2
5,899,174	A	*	5/1999	Anderson et al.	123/2
D416,537	S	*	11/1999	Imai et al.	D13/116
D490,374	S	*	5/2004	Amakawa et al.	D13/112
D516,507	S		3/2006	Nushart et al.		
D534,863	S	*	1/2007	Yasuda et al.	D13/112
D564,450	S	*	3/2008	Gravlin et al.	D13/122
2008/0185801	A1		8/2008	Gravlin et al.		

OTHER PUBLICATIONS

20RES Model Residential Generator, <http://www.kohlerpower.com/onlinecatalog/518x416/zaa28508.jpg>, Oct. 28, 2010, 1 page.

8.5RES Model Residential Generator, <http://www.kohlerpower.com/onlinecatalog/518x416/aaa58659.jpg>, Oct. 28, 2010, 1 page.
Generac Corepower System, Air-Cooled Gas Engine Generator, Model 005837-0, Oct. 6, 2010, 4 pages.

* cited by examiner

Primary Examiner — Derrick Holland

(74) *Attorney, Agent, or Firm* — Foley & Lardner LLP

(57) **CLAIM**

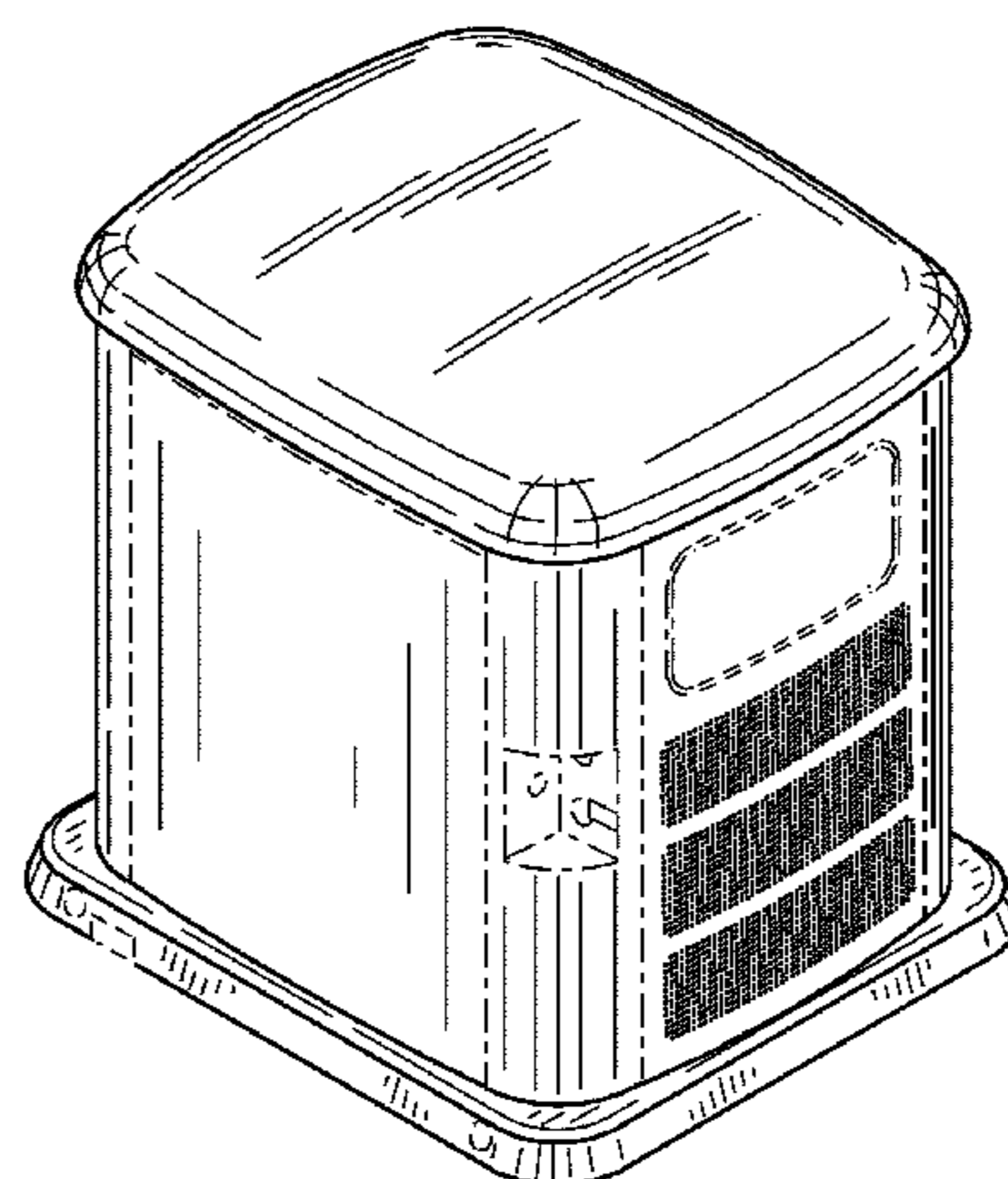
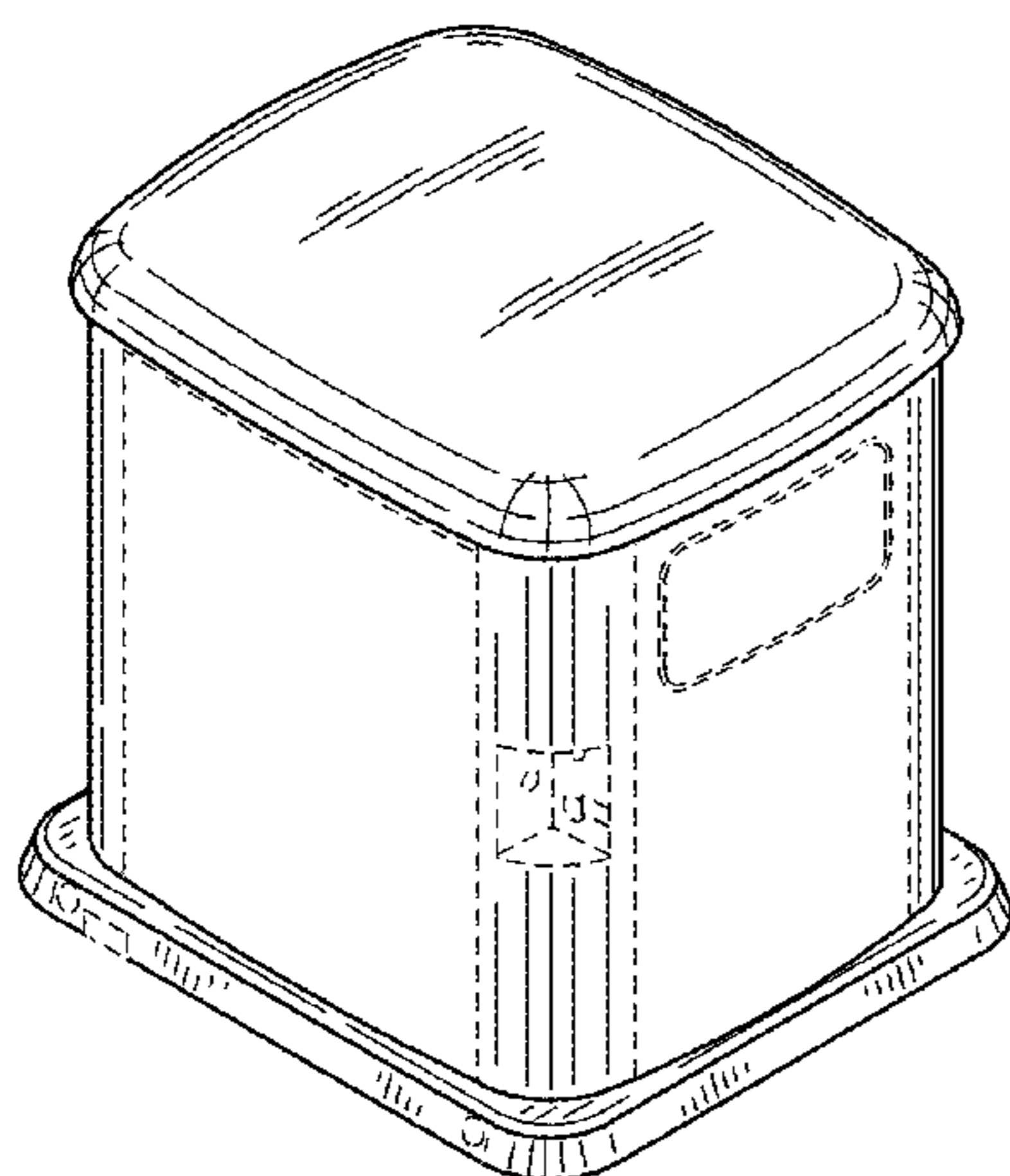
We claim the ornamental design for a standby generator, as shown and described.

DESCRIPTION

FIG. 1 is a front perspective view of a first embodiment of a standby generator showing our new design; FIG. 2 is a rear perspective view thereof; FIG. 3 is a front elevation view thereof; FIG. 4 is a right side elevation view thereof; FIG. 5 is a rear elevation view thereof; FIG. 6 is a left side elevation view thereof; FIG. 7 is a top plan view thereof; FIG. 8 is a bottom plan view thereof; FIG. 9 is a front perspective view of a second embodiment of a standby generator showing our new design; FIG. 10 is a rear perspective view thereof; FIG. 11 is a front elevation view thereof; FIG. 12 is a right side elevation view thereof; FIG. 13 is a rear elevation view thereof; FIG. 14 is a left side elevation view thereof; FIG. 15 is a top plan view thereof; and, FIG. 16 is a bottom plan view thereof.

The broken lines shown represent unclaimed subject matter and form no part of the claim design. The dash-dot broken lines represent unclaimed seam lines and form no part of the claimed design.

1 Claim, 8 Drawing Sheets



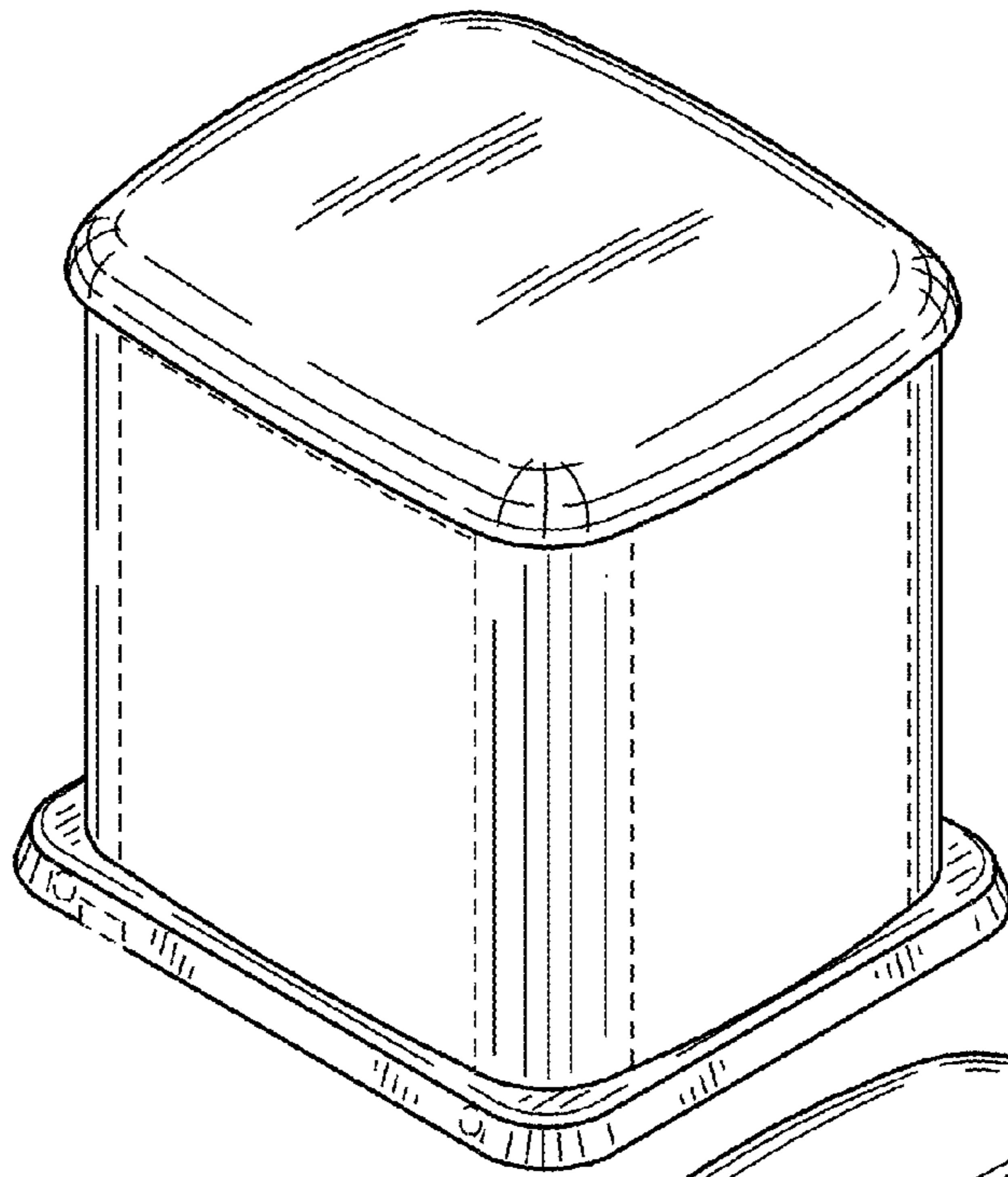


FIG. 1

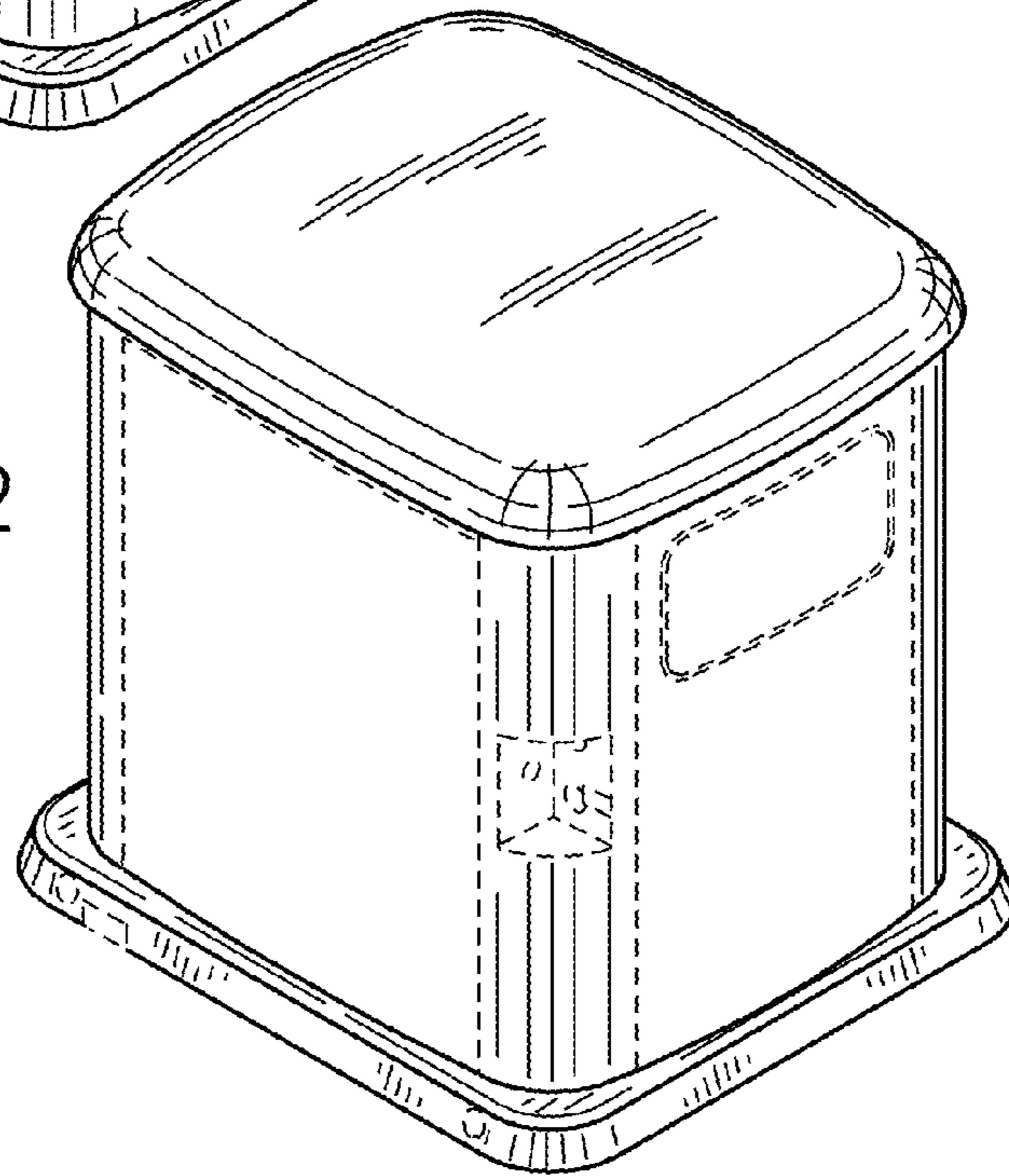


FIG. 2

FIG. 3

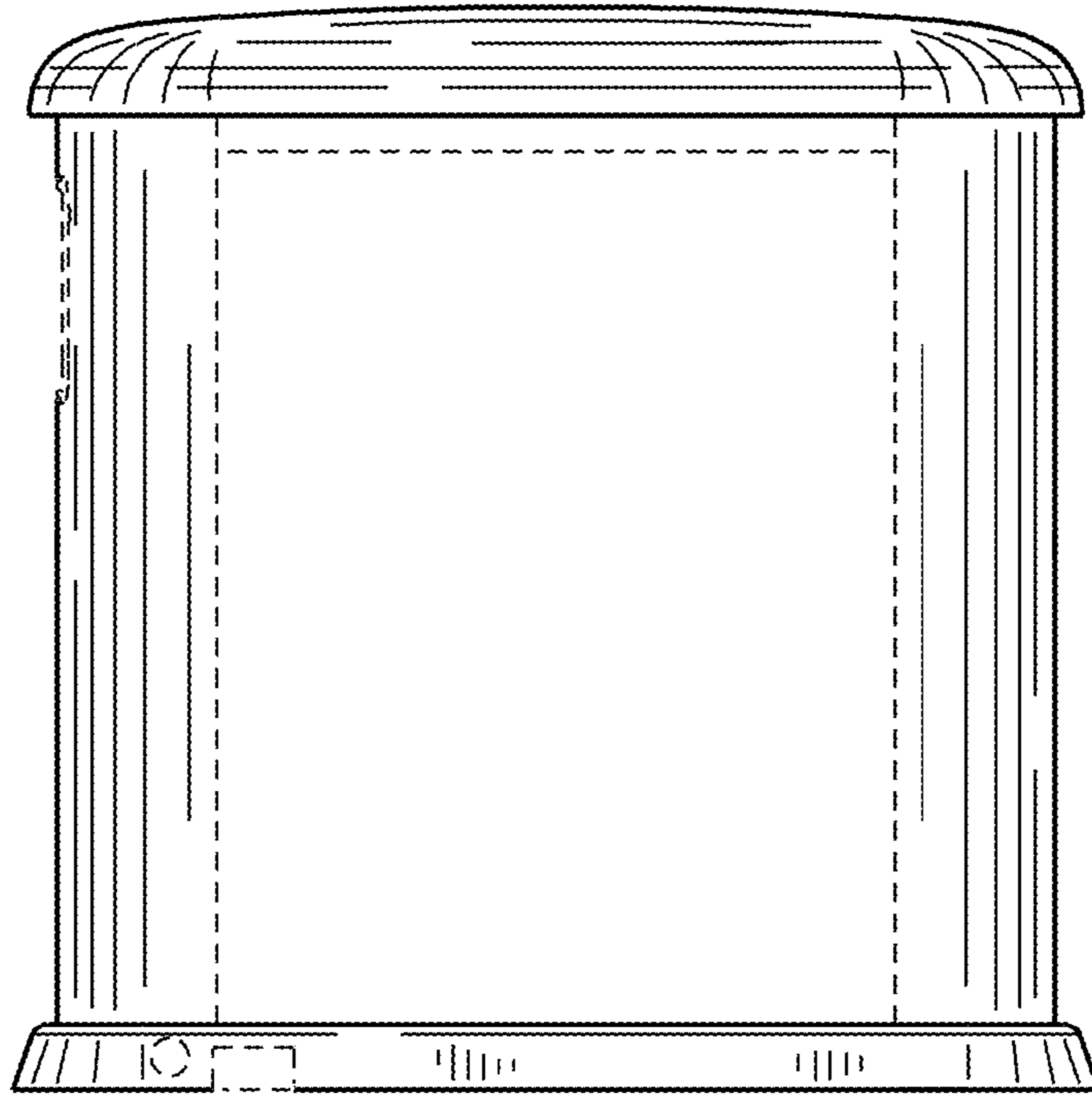


FIG. 4

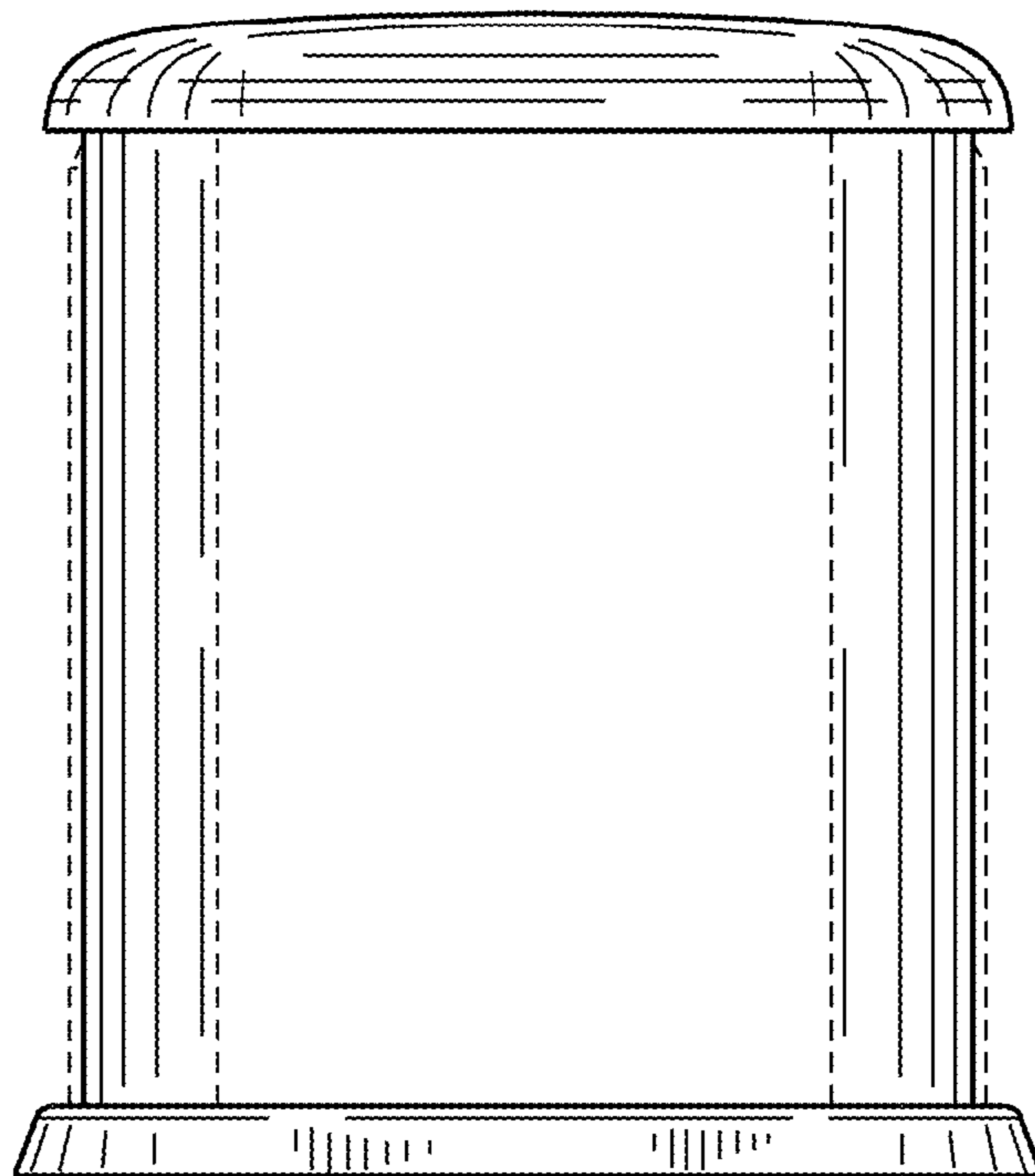


FIG. 5

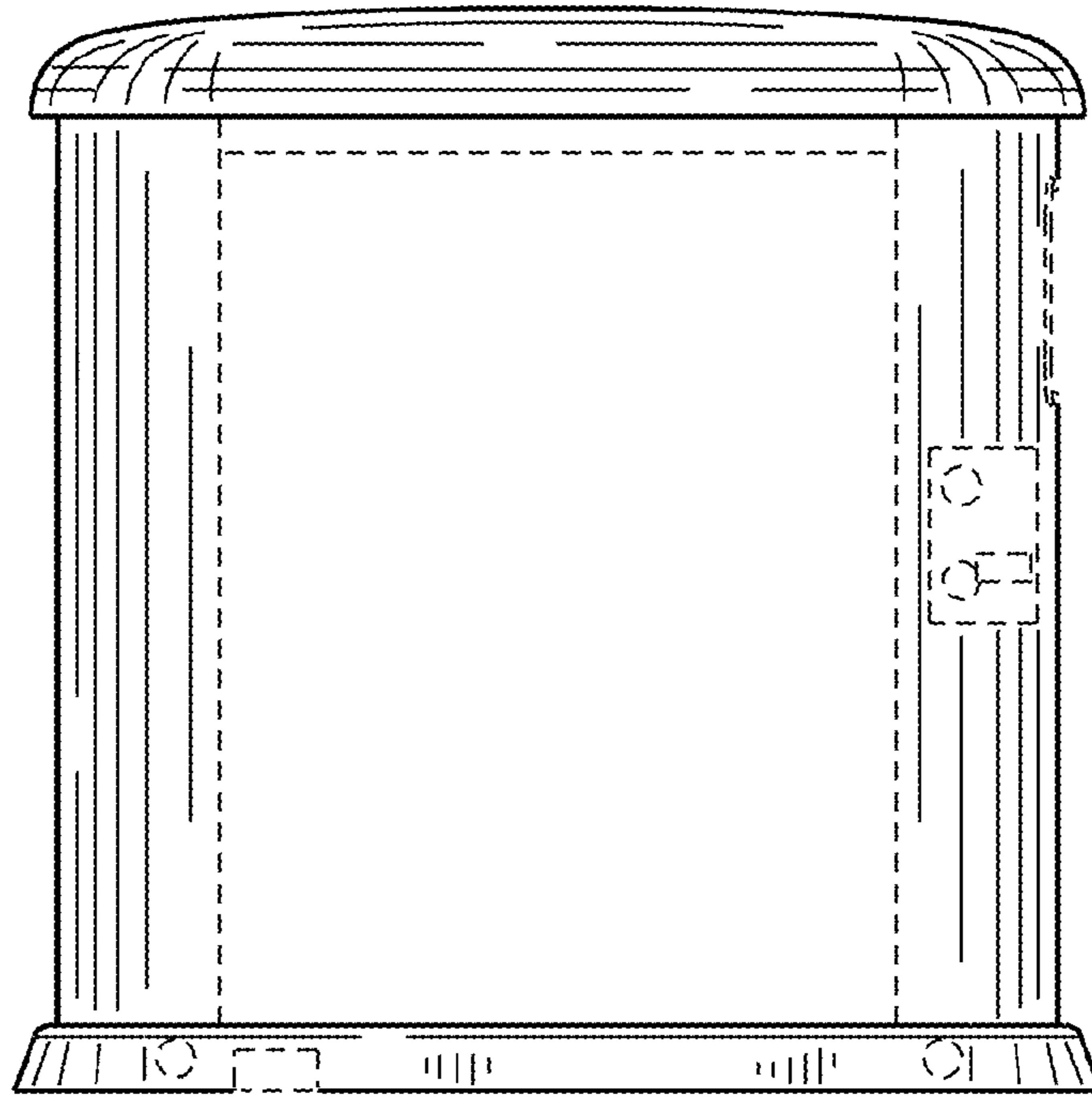


FIG. 6

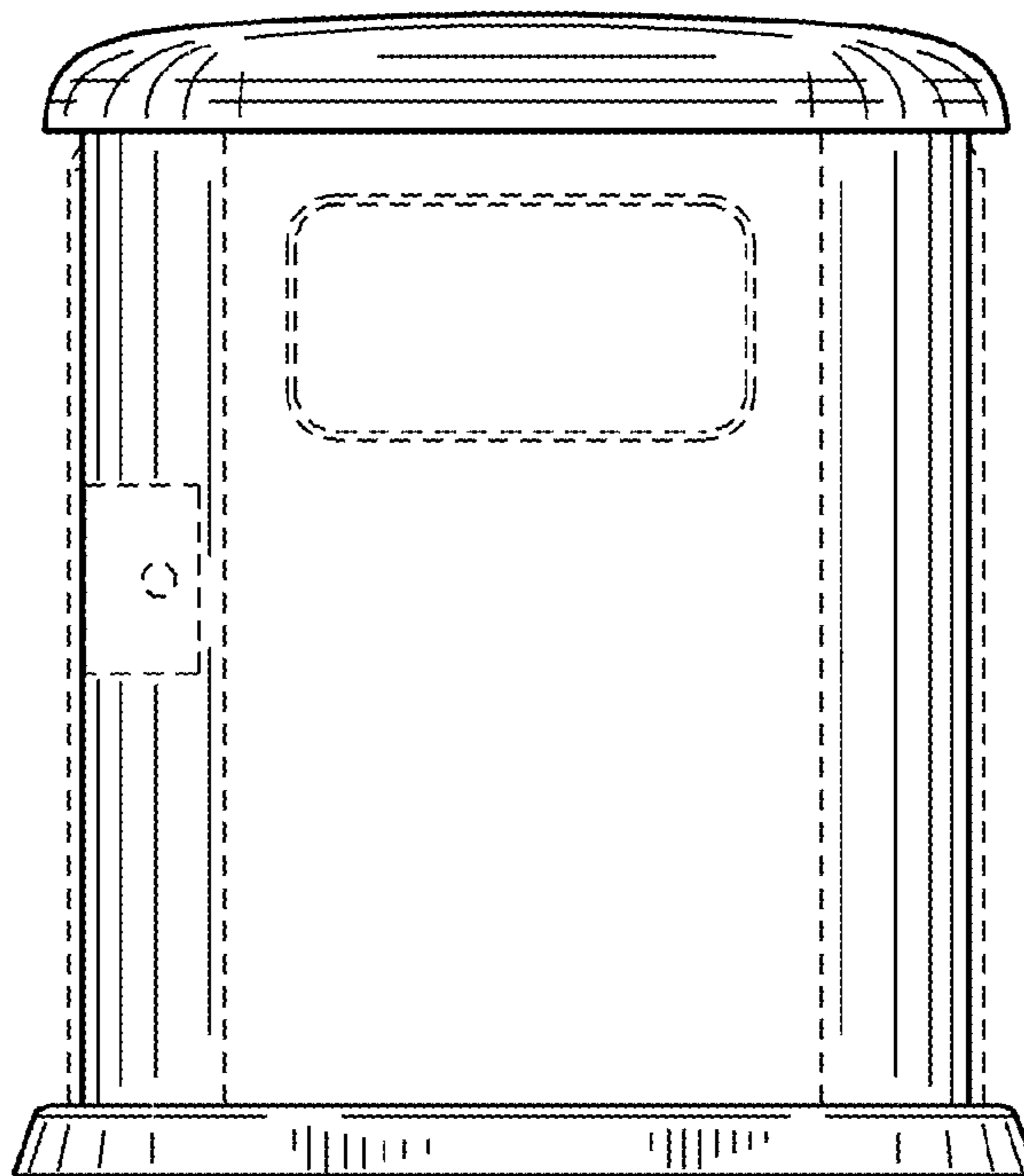


FIG. 7

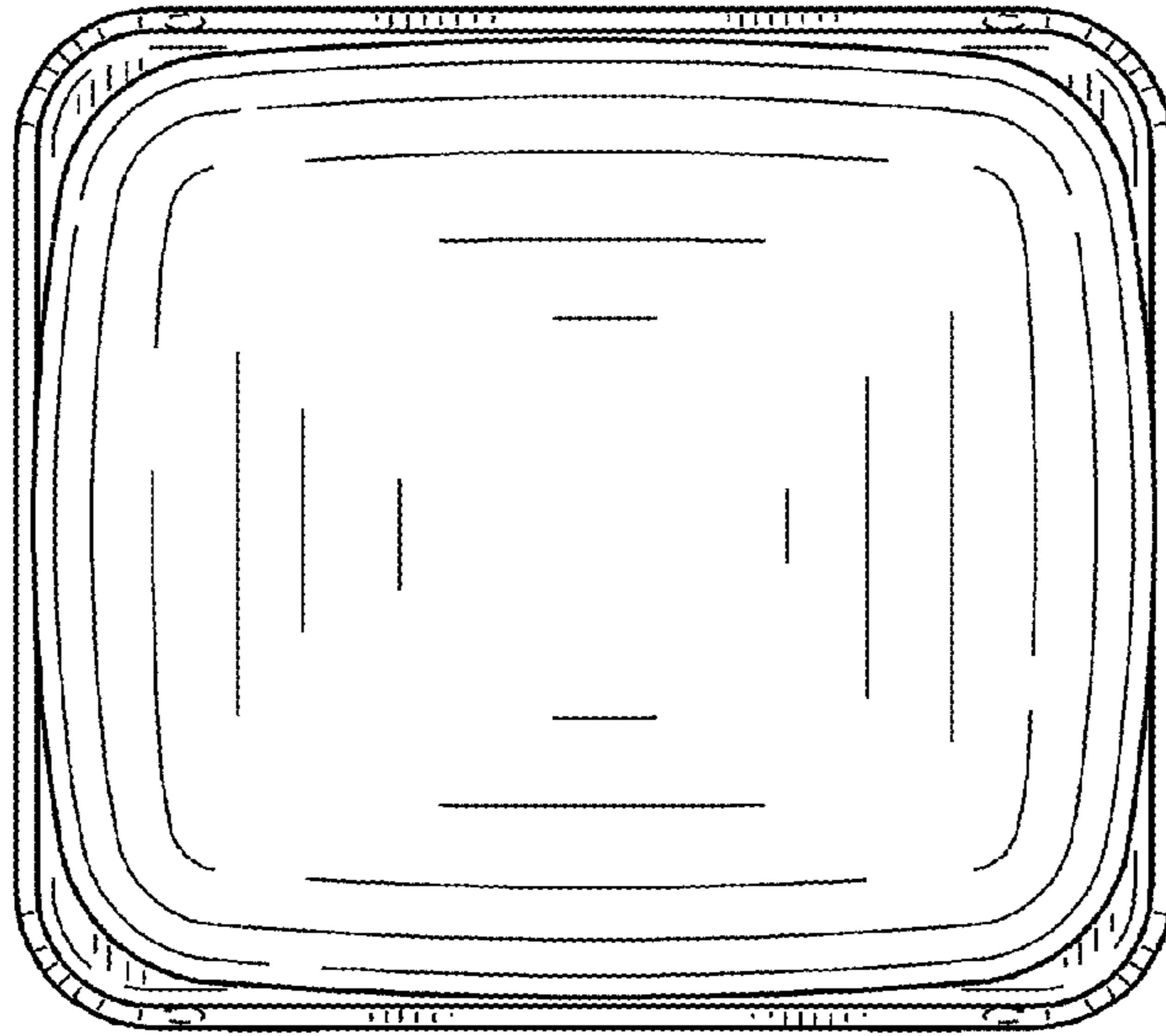
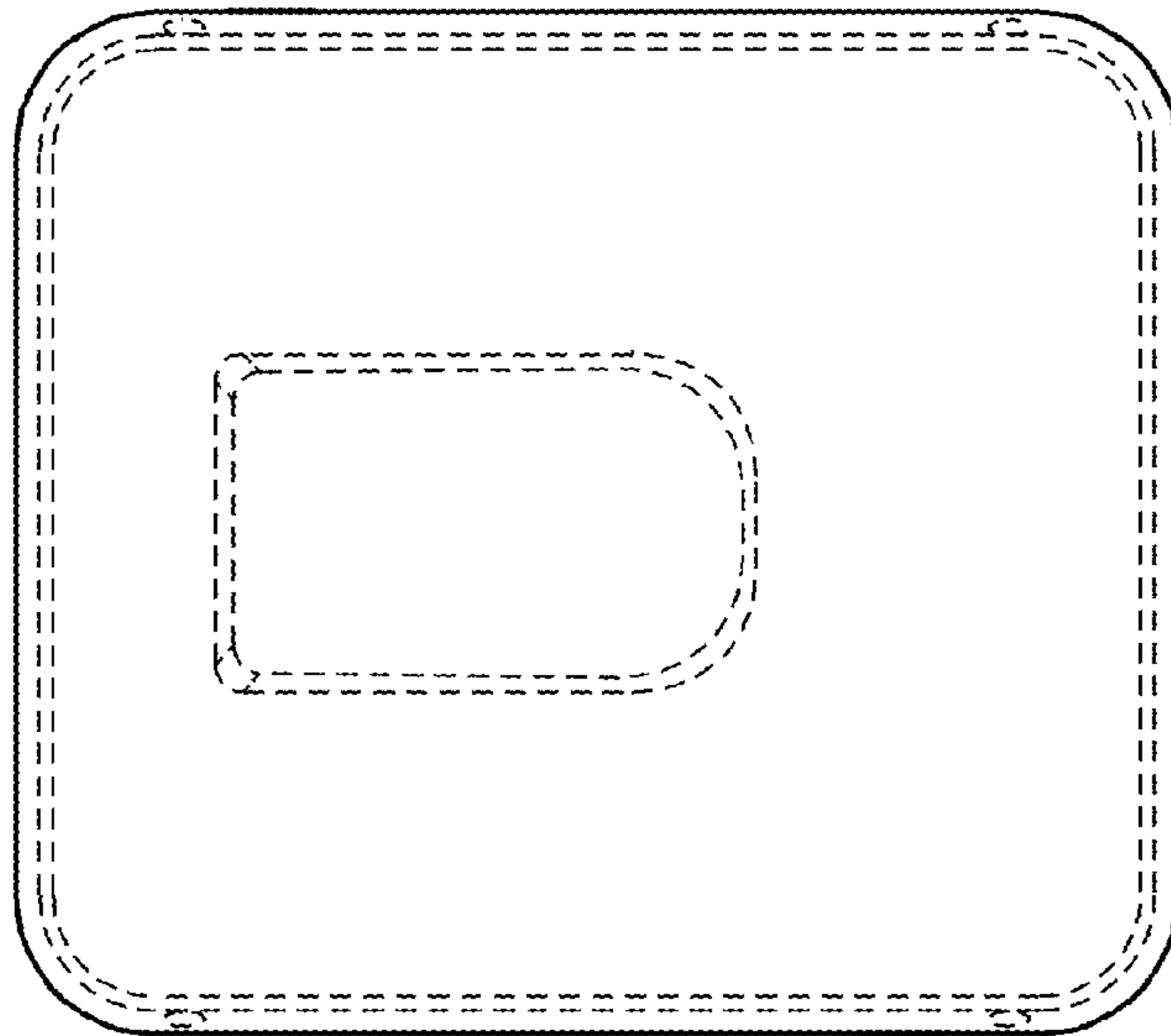


FIG. 8



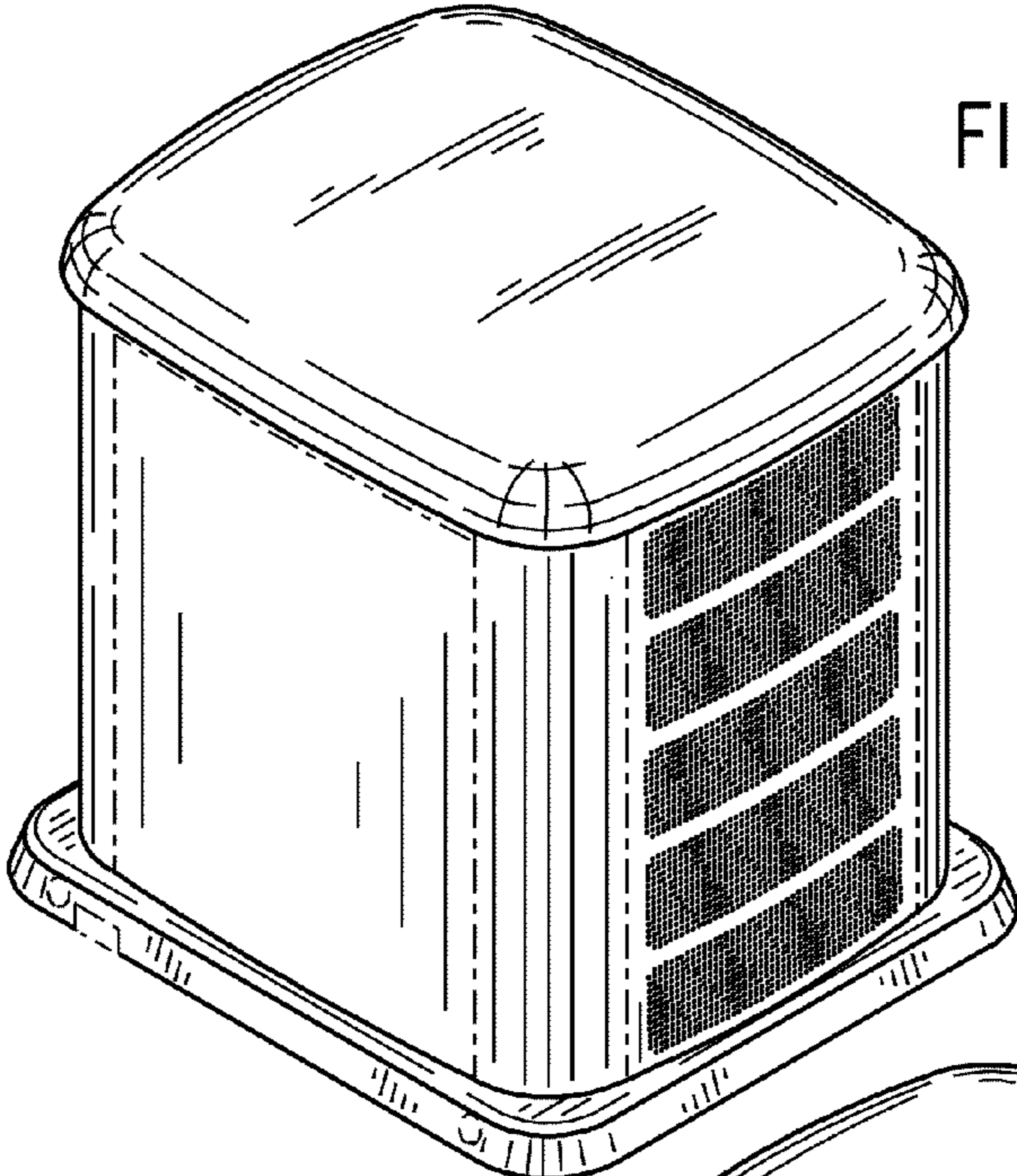


FIG. 9

FIG. 10

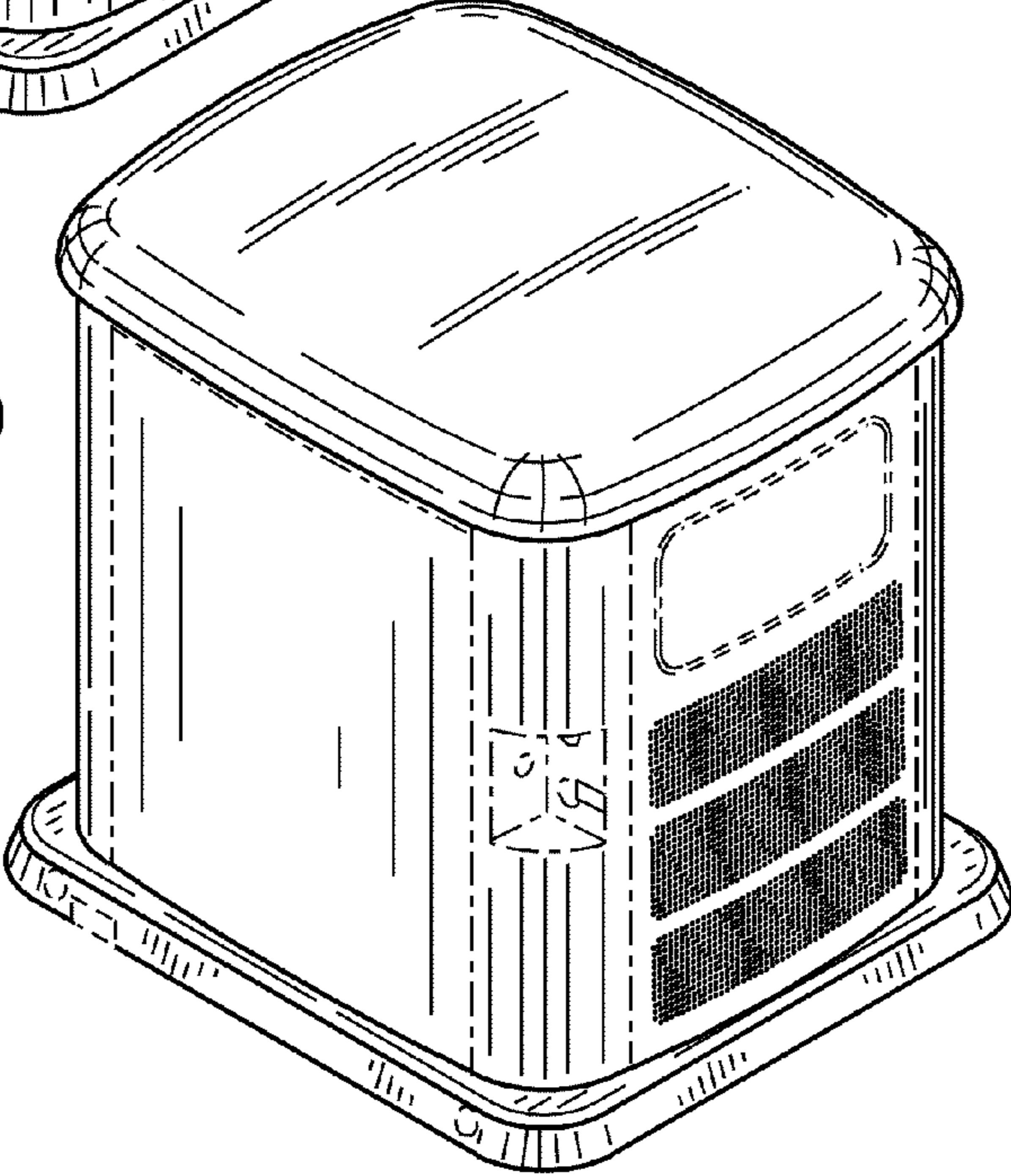


FIG. 11

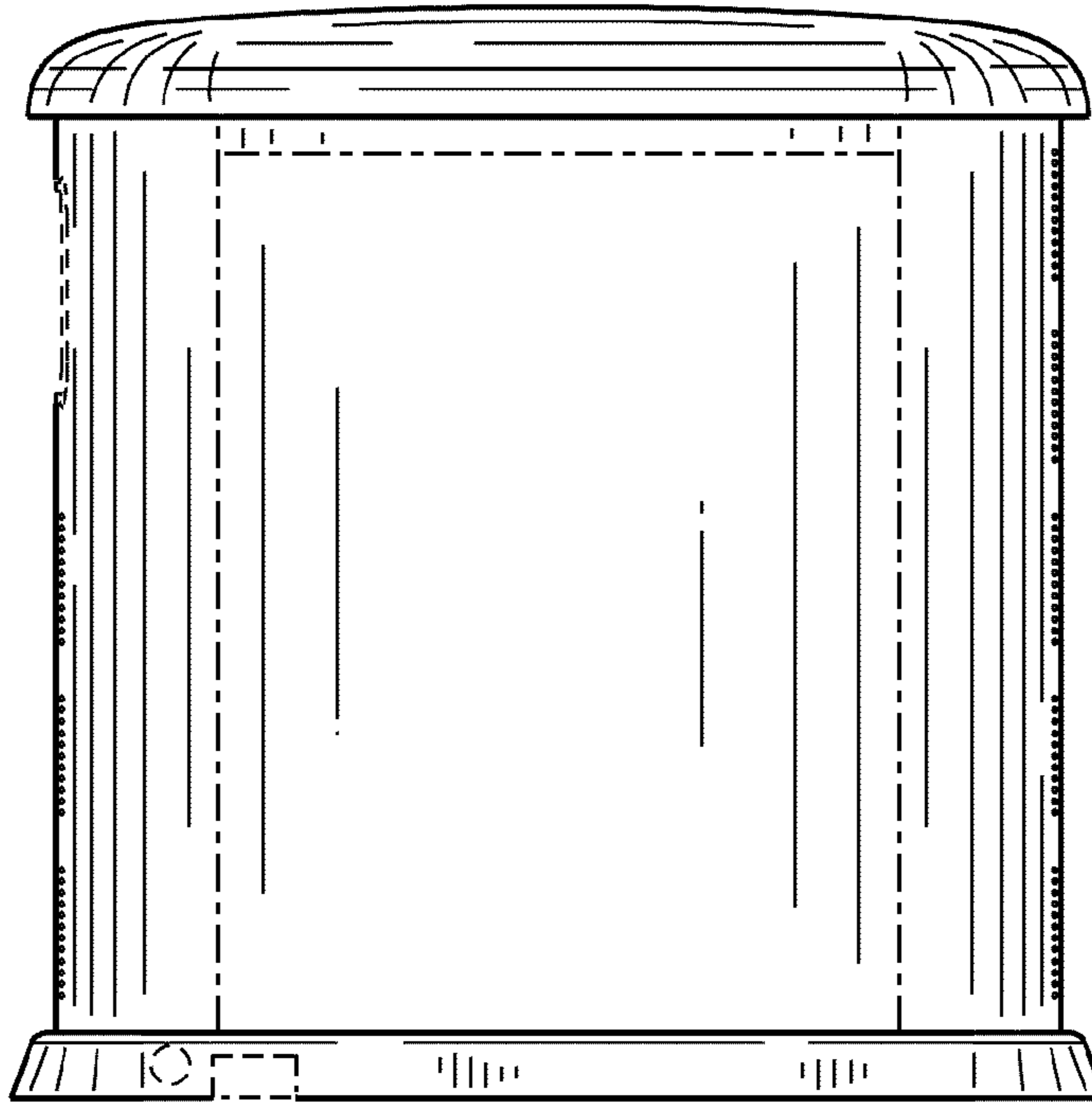


FIG. 12

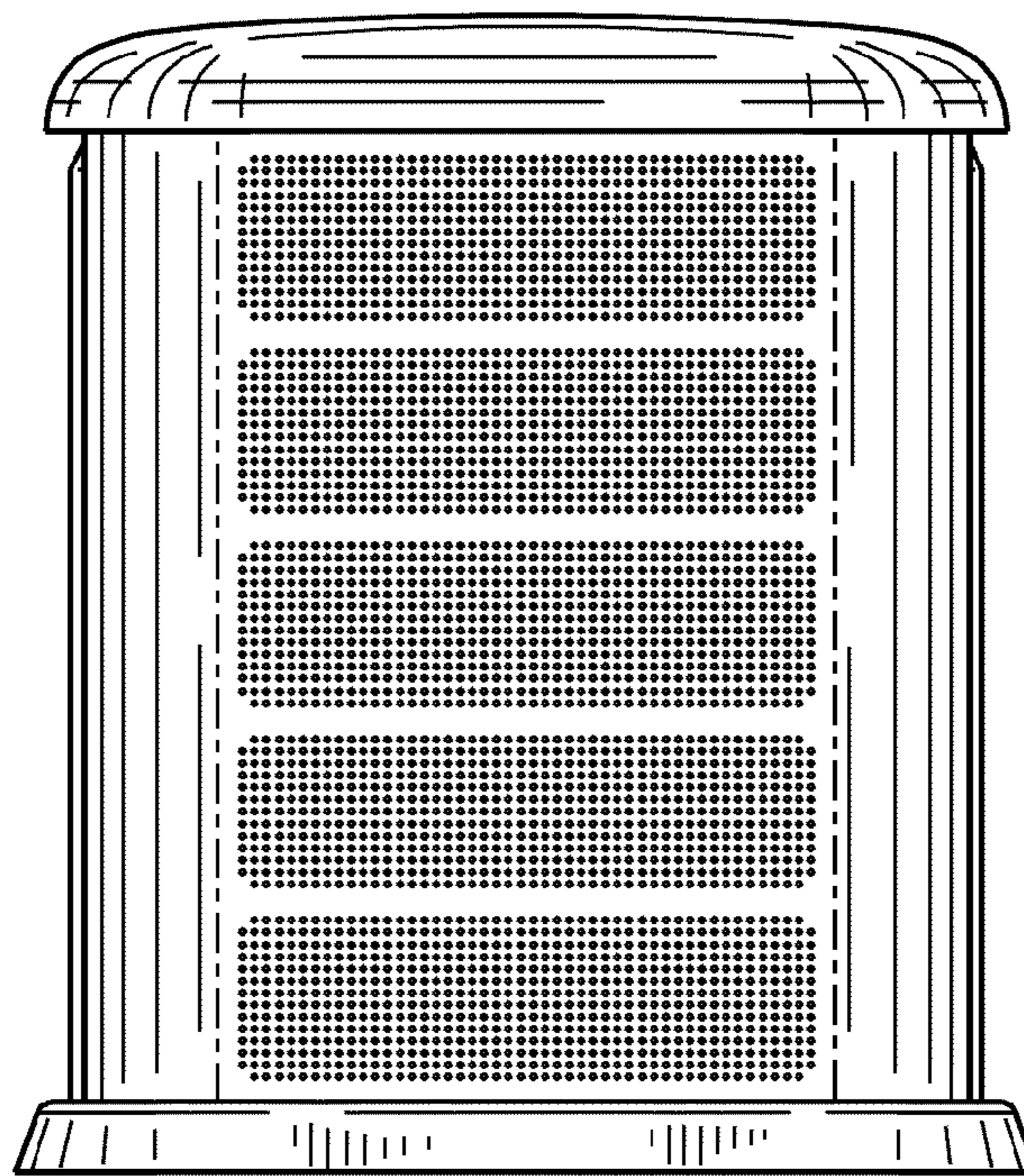


FIG. 13

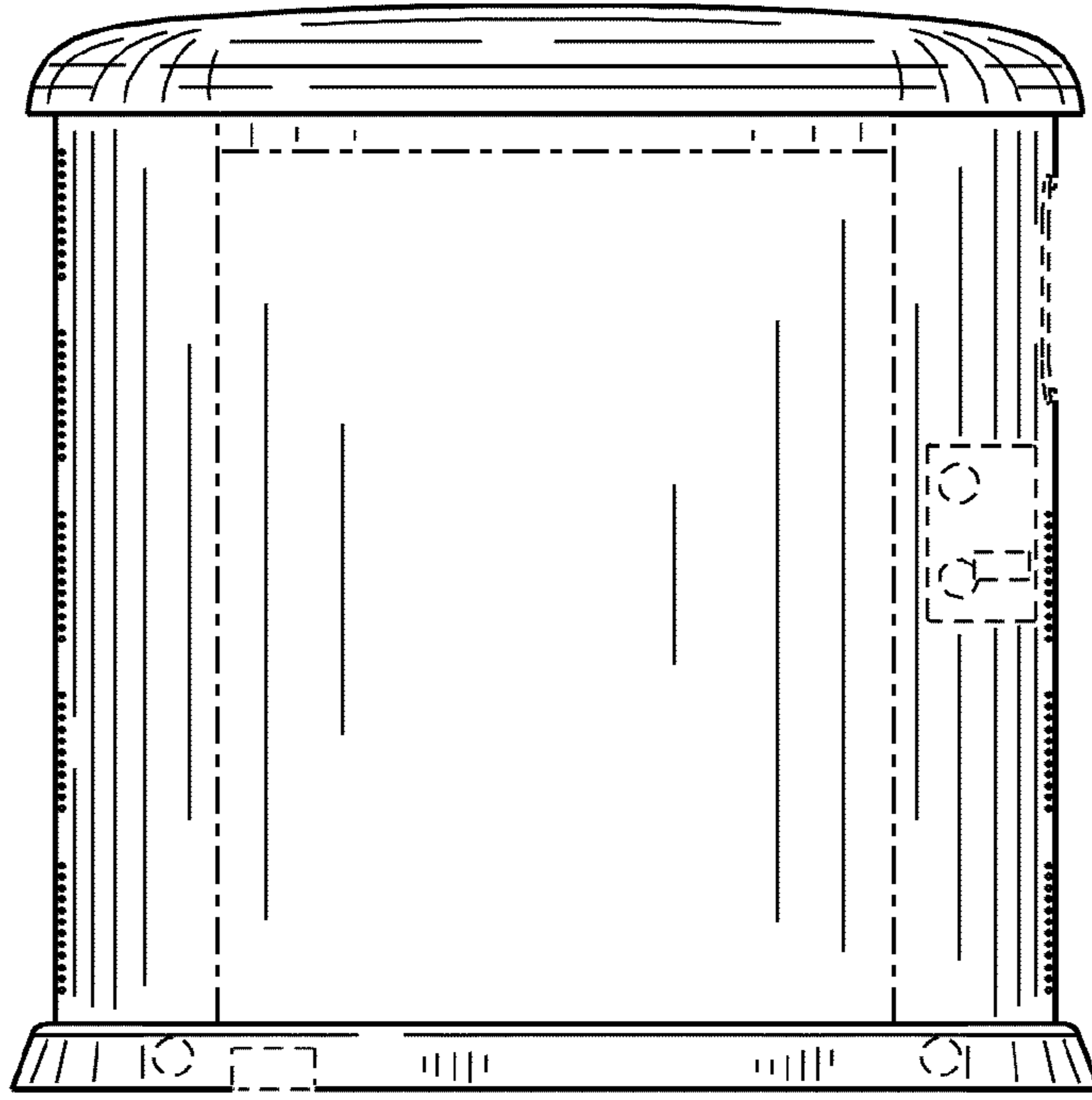


FIG. 14

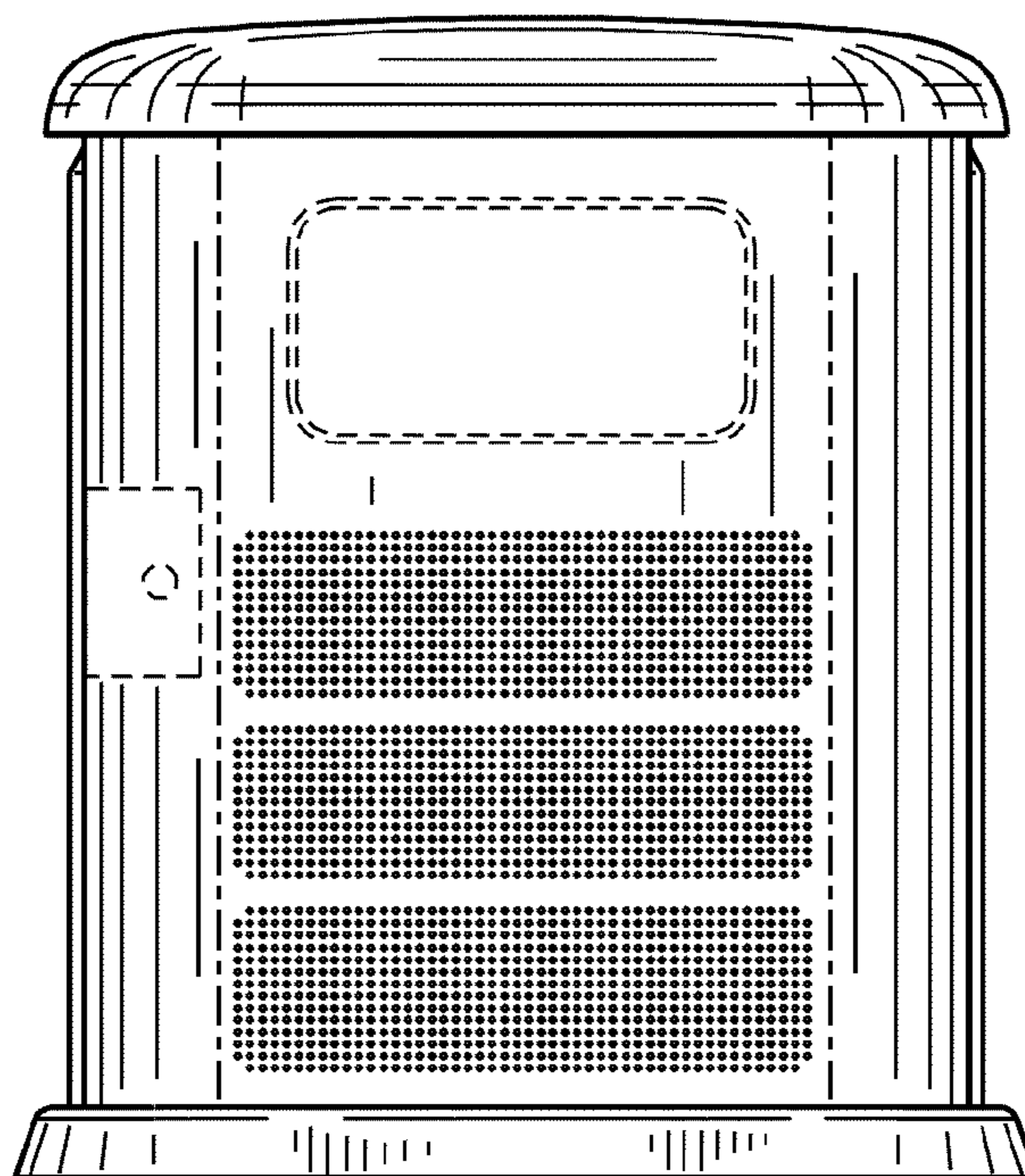


FIG. 15

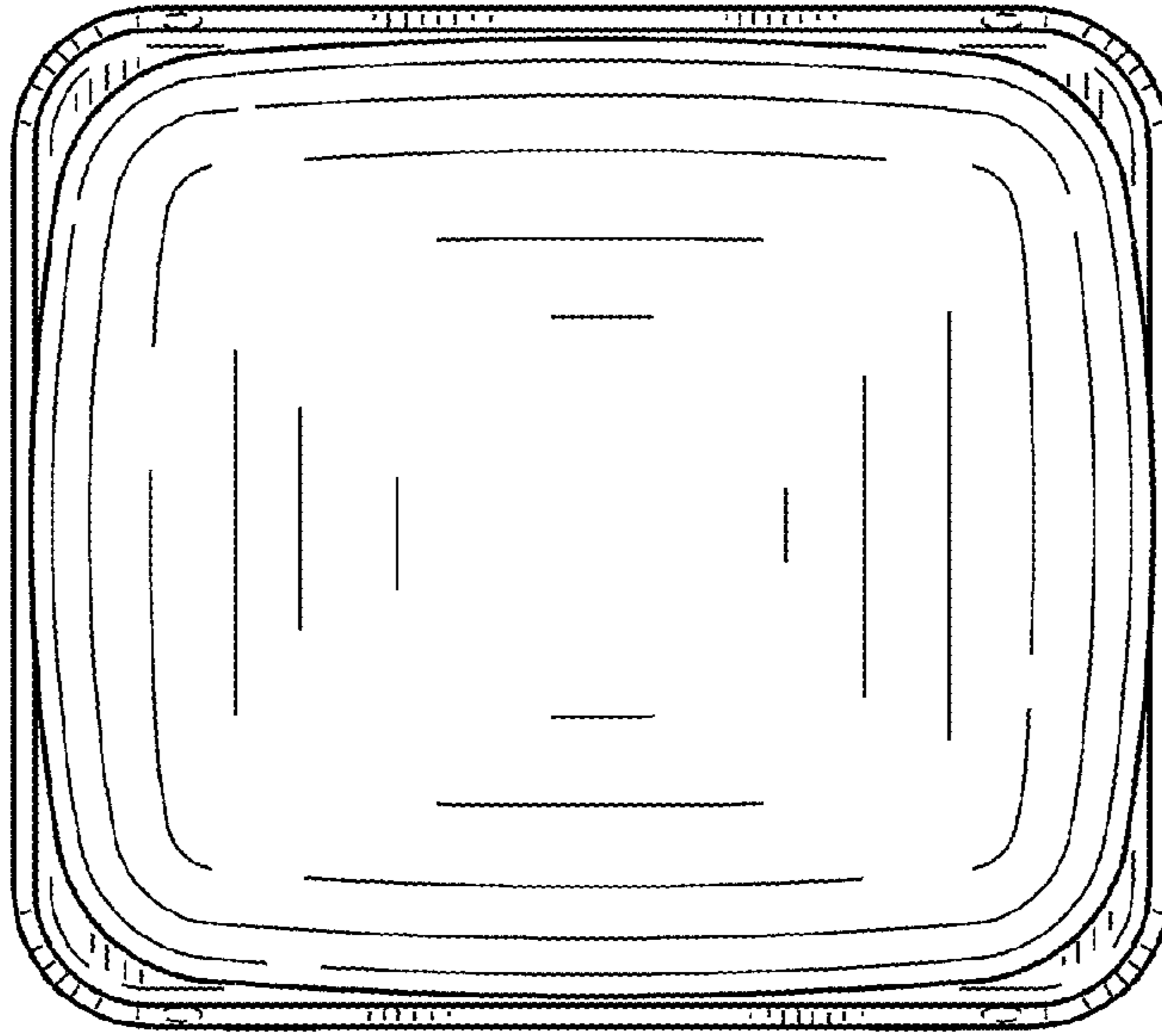


FIG. 16

