



US00D696193S

(12) **United States Design Patent**
Hatanaka

(10) **Patent No.:** **US D696,193 S**

(45) **Date of Patent:** **** Dec. 24, 2013**

(54) **HEARING AID CHARGER**

(71) Applicant: **Nitto Denko Corporation**, Osaka (JP)

(72) Inventor: **Takezo Hatanaka**, Osaka (JP)

(73) Assignee: **Nitto Denko Corporation**, Osaka (JP)

(**) Term: **14 Years**

(21) Appl. No.: **29/454,630**

(22) Filed: **May 13, 2013**

(30) **Foreign Application Priority Data**

Apr. 2, 2013 (JP) 2013-007387

(51) **LOC (9) Cl.** **13-02**

(52) **U.S. Cl.**
USPC **D13/108**

(58) **Field of Classification Search**
USPC D13/103, 107-110, 118-119, 184, 199;
D14/217, 251, 253, 432, 434;
320/107-115
See application file for complete search history.

(56) **References Cited**

U.S. PATENT DOCUMENTS

D221,081 S *	7/1971	Kahn	D13/110
D300,678 S *	4/1989	Barrault	D32/73
D442,939 S *	5/2001	Goldenburg	D14/191
D521,927 S *	5/2006	Franck et al.	D13/108
D524,282 S *	7/2006	Beasley et al.	D14/149
D526,973 S *	8/2006	Gates et al.	D13/184
D530,717 S *	10/2006	Mori et al.	D14/434
D546,280 S *	7/2007	Marchetto et al.	D13/107
D558,209 S *	12/2007	Ikeda et al.	D14/434

D575,289 S *	8/2008	Kuo et al.	D14/434
D602,858 S *	10/2009	Ellis et al.	D13/108
D627,718 S *	11/2010	Houghton	D13/108
7,839,120 B2 *	11/2010	Elizalde Rodarte	320/115
D676,377 S *	2/2013	Nokuo	D13/108
D680,541 S *	4/2013	Lee et al.	D14/434
2009/0134838 A1 *	5/2009	Raghuprasad	320/108

* cited by examiner

Primary Examiner — Rosemary K Tarcza

(74) *Attorney, Agent, or Firm* — Dennis R. Haszko

(57) **CLAIM**

The ornamental design for a hearing aid charger, as shown and described.

DESCRIPTION

FIG. 1 is a side view of the hearing aid charger;
 FIG. 2 is a top view thereof;
 FIG. 3 is a bottom view thereof;
 FIG. 4 is a side view thereof;
 FIG. 5 is a side view thereof;
 FIG. 6 is a cross-sectional view thereof taken along line 6-6 of FIG. 1;
 FIG. 7 is a cross-sectional view thereof taken along line 7-7 of FIG. 2;
 FIG. 8 is a perspective view thereof, shown in an open position;
 FIG. 9 is a top view thereof, shown in an open position; and,
 FIG. 10 is another top view thereof, shown in an open position.

The portions shown in broken lines form no part of the claimed design. The broken lines which define the bounds of the claimed design form no part thereof. FIG. 10 shows a hearing aid, in broken lines, which does not form part of the claimed design.

1 Claim, 5 Drawing Sheets

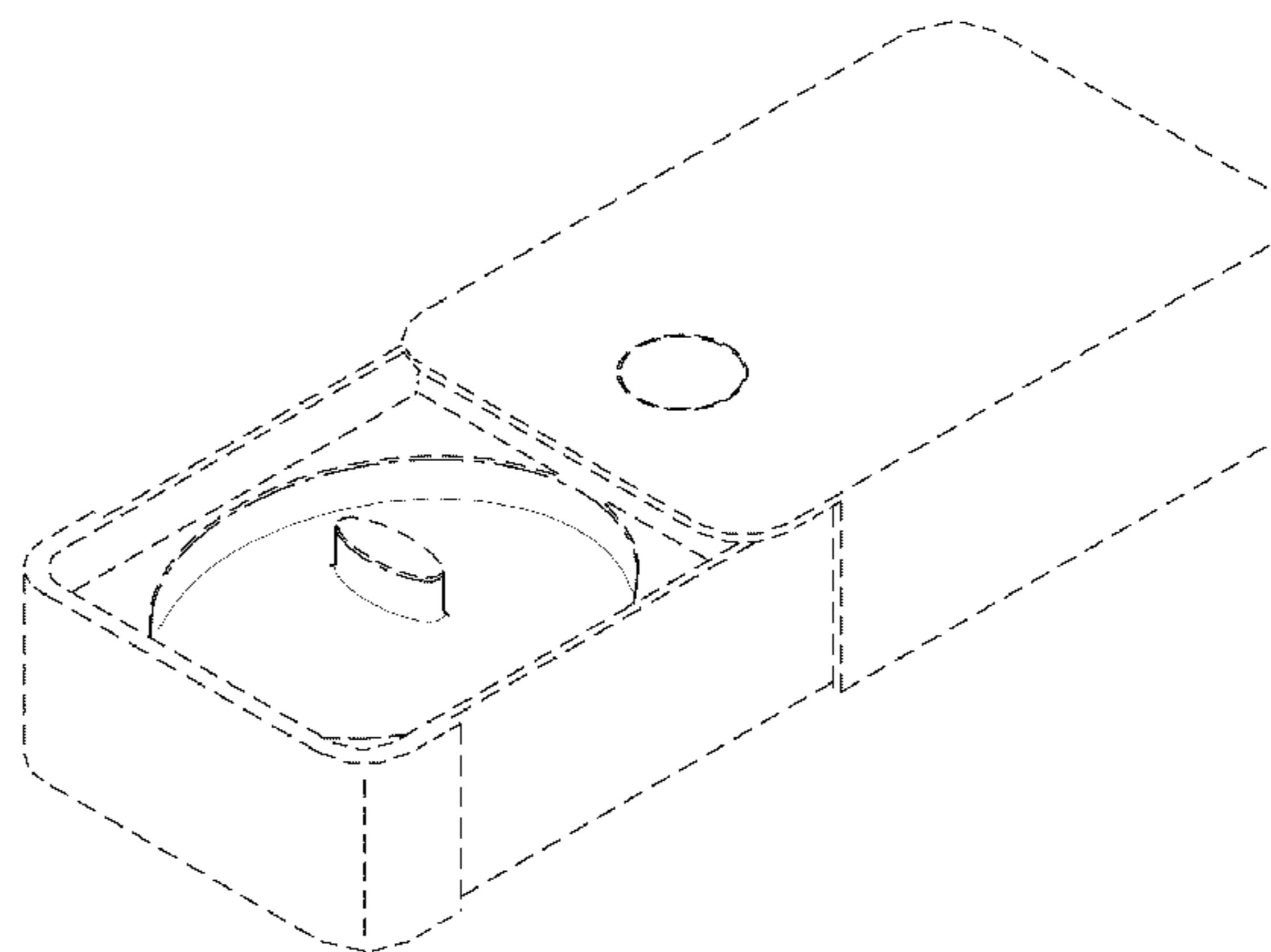
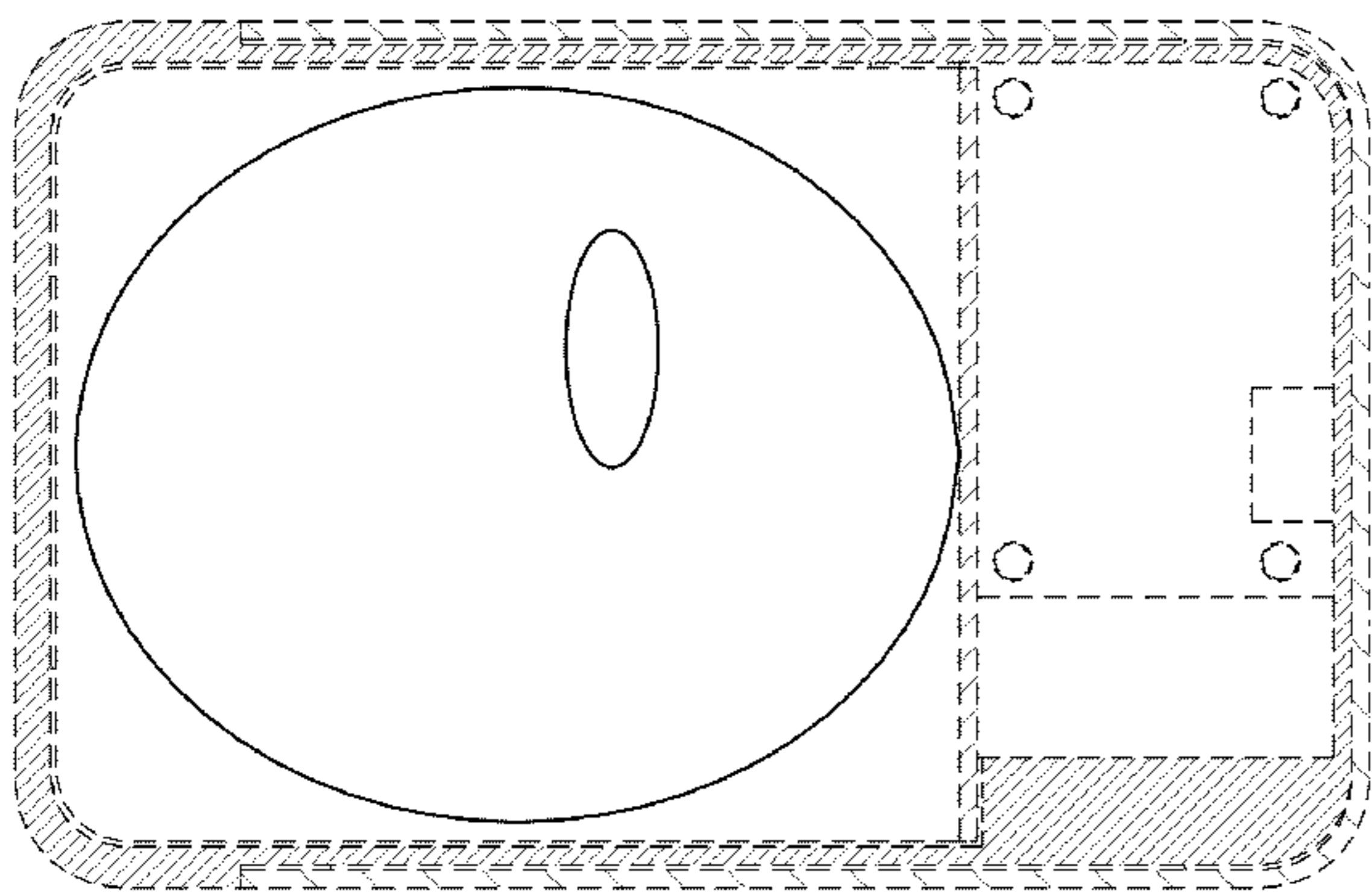




FIG.1

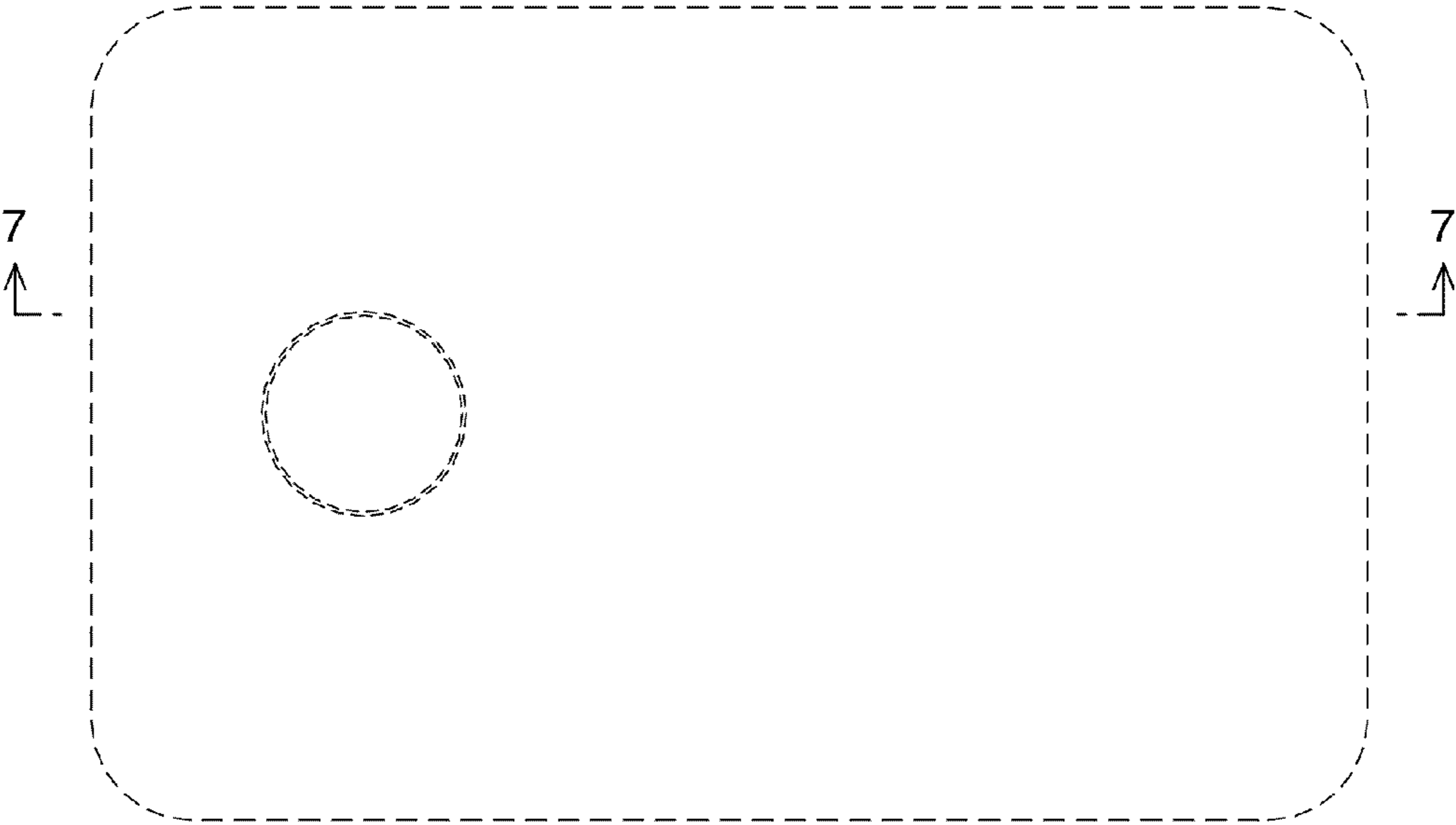


FIG.2

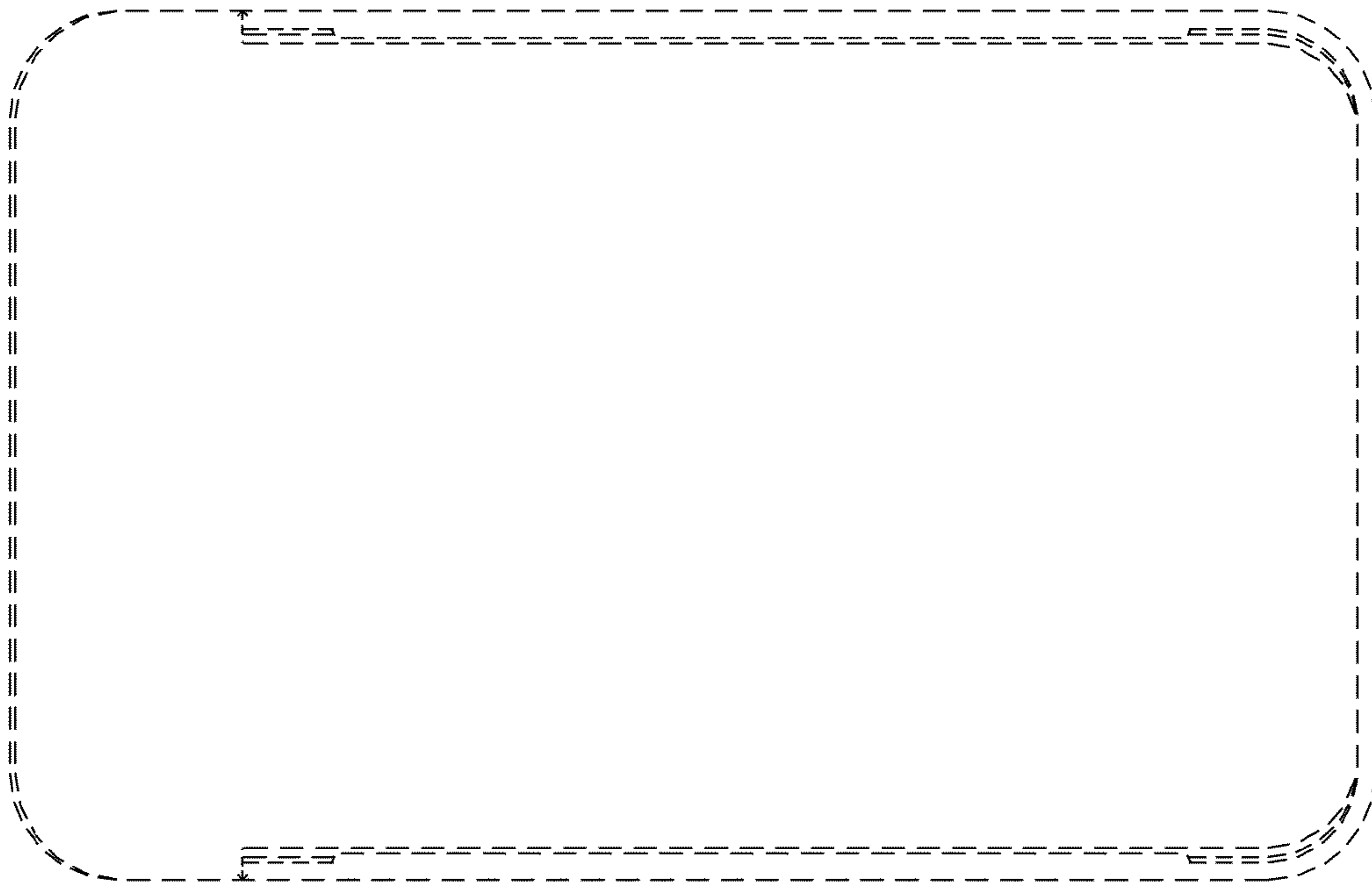


FIG. 3

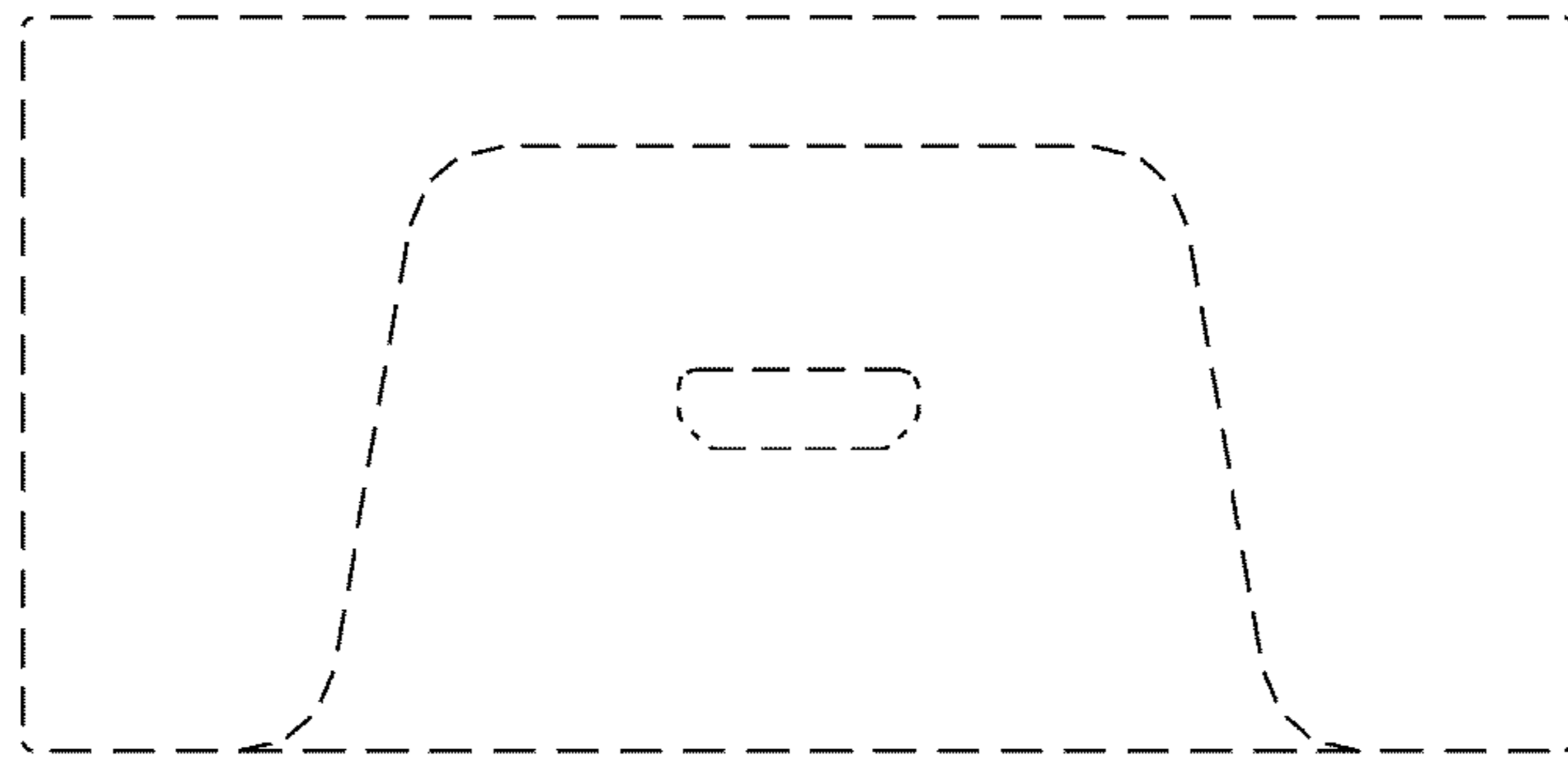


FIG. 4



FIG. 5

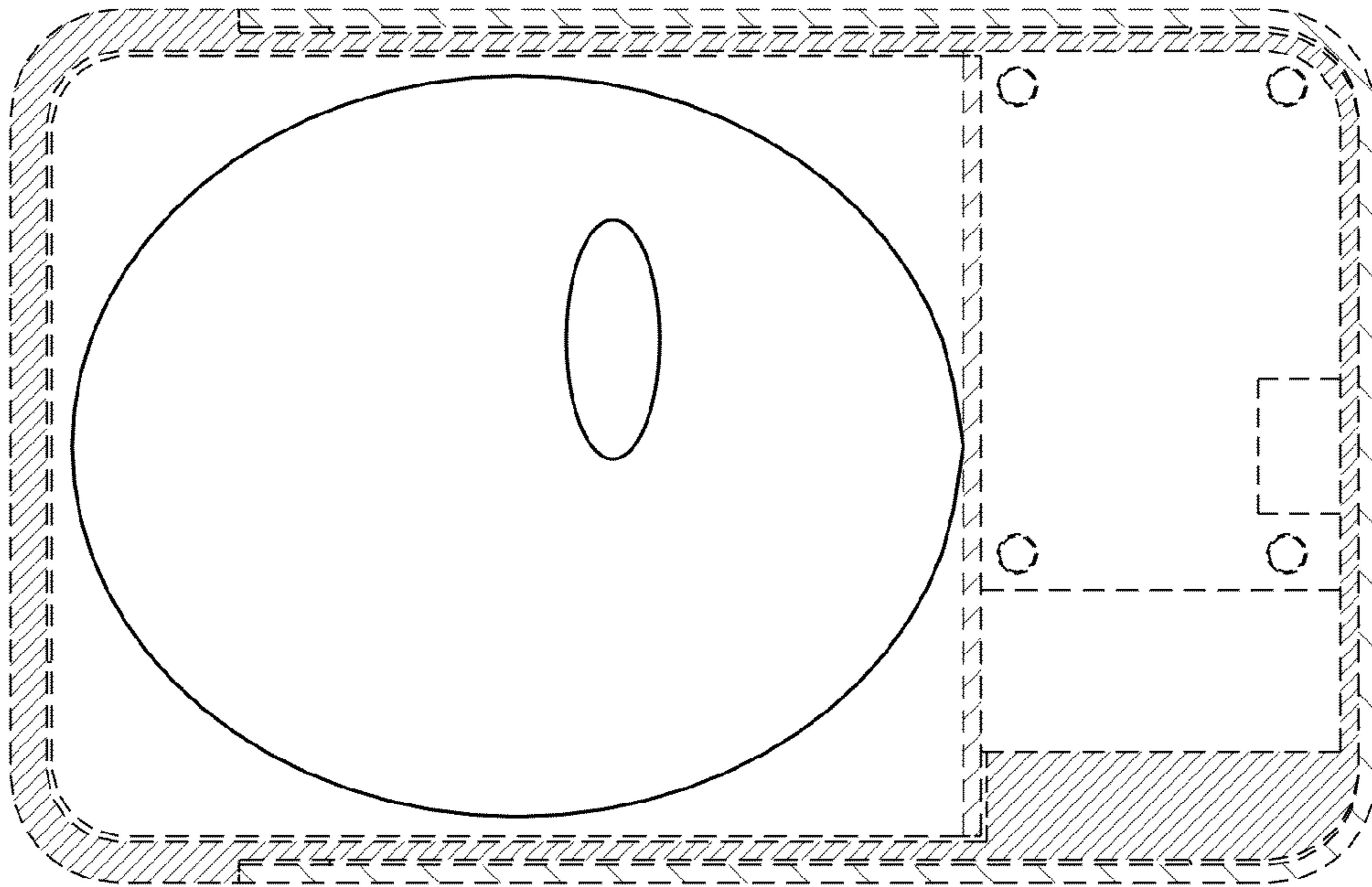


FIG. 6

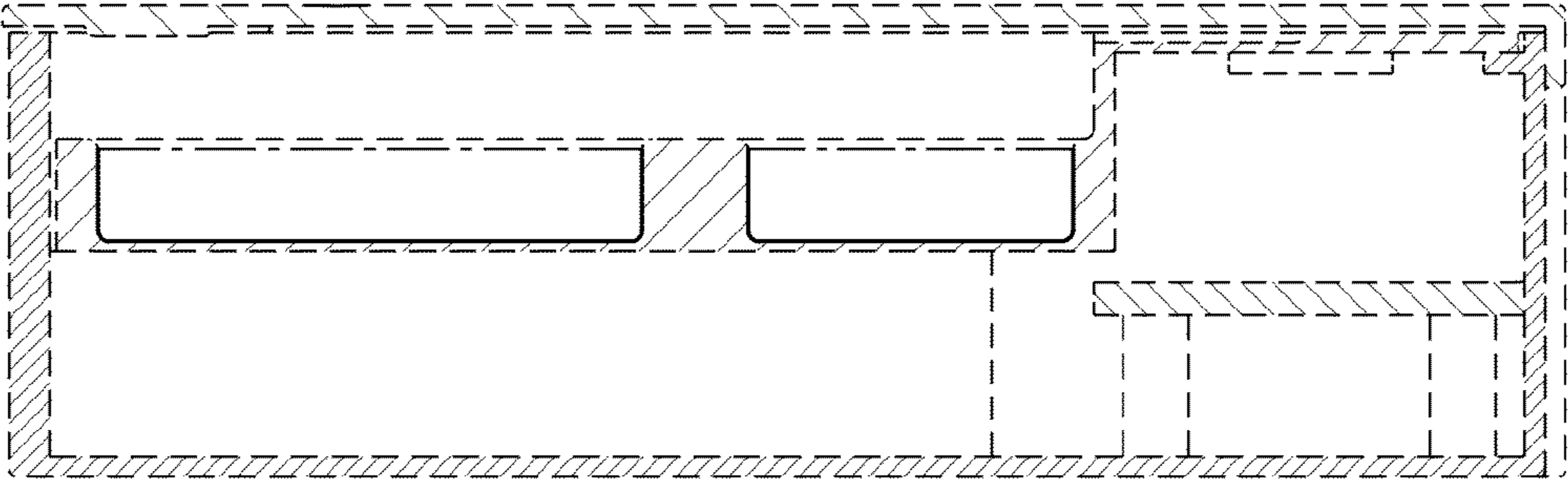


FIG. 7

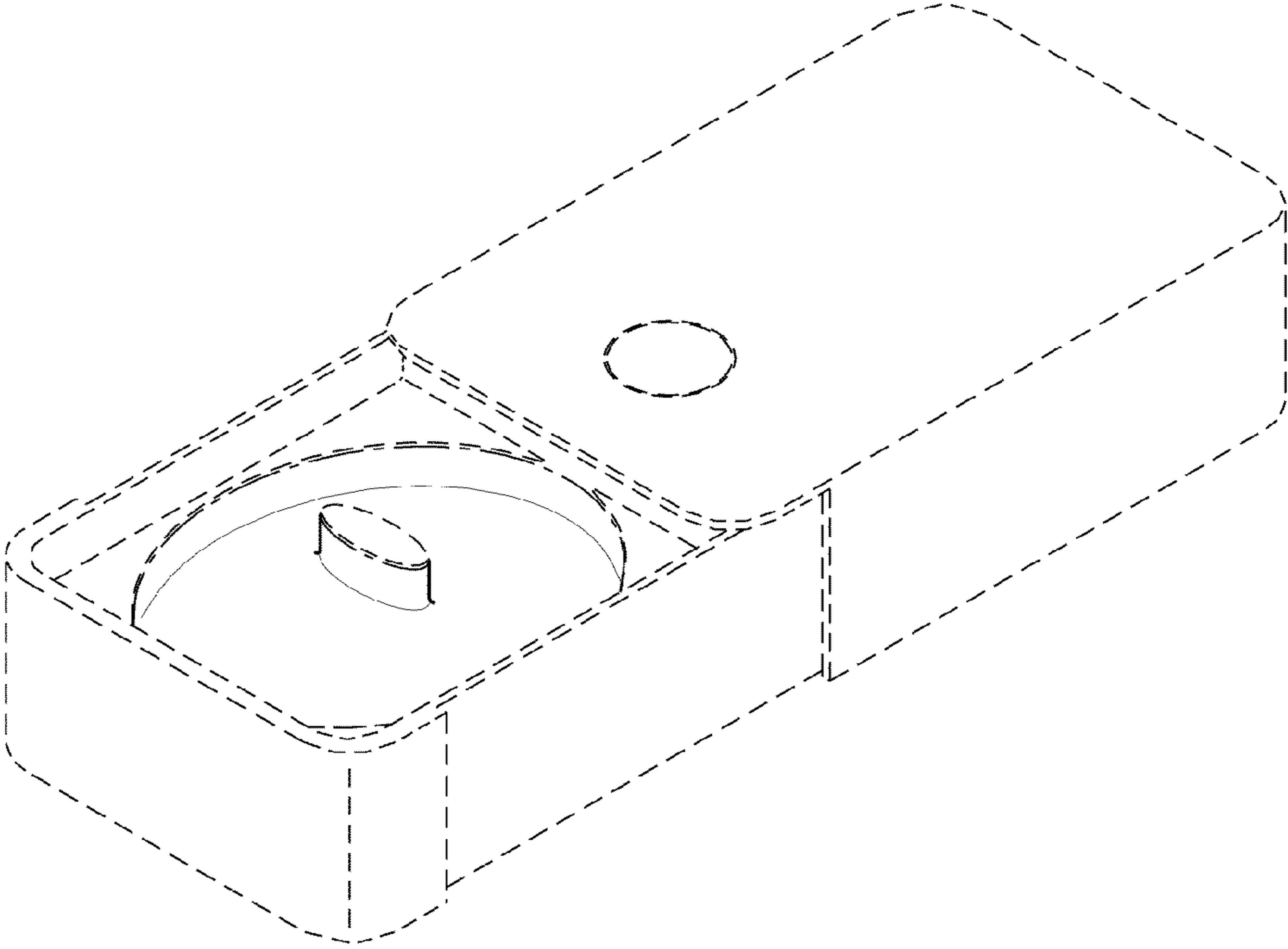


FIG. 8

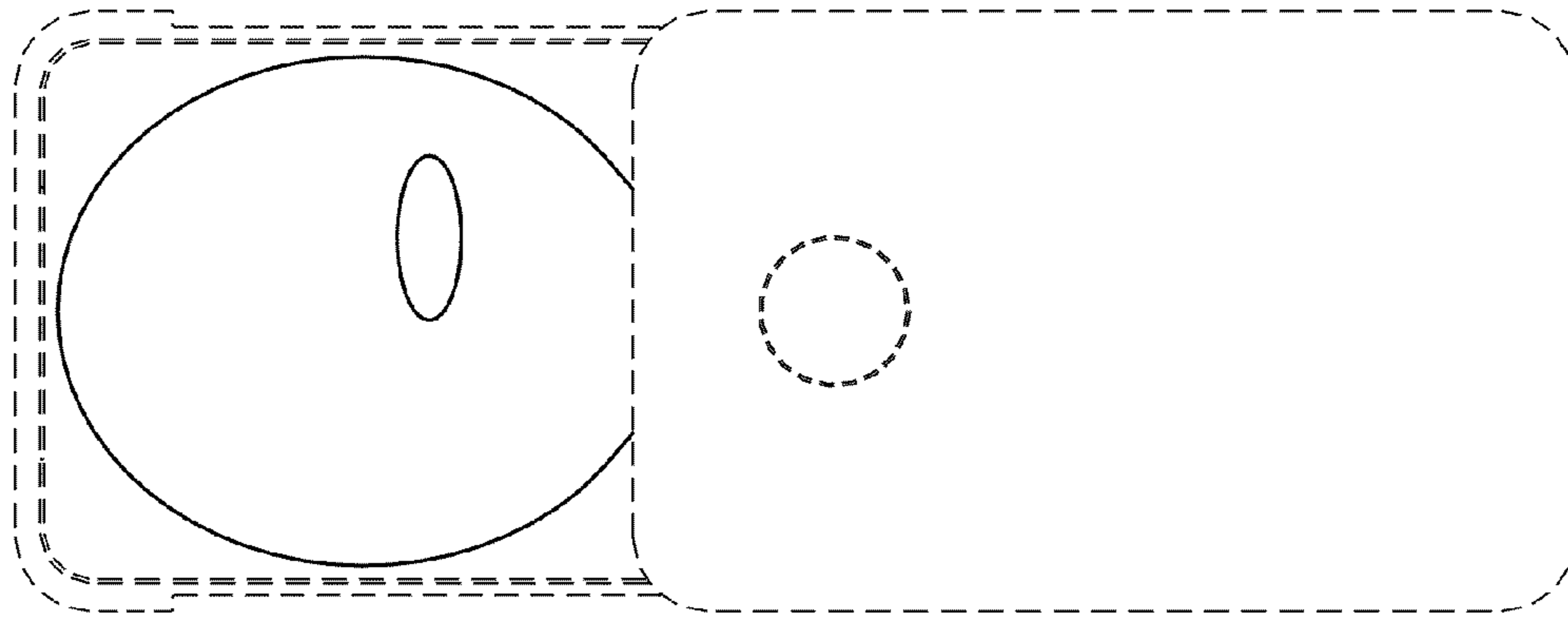


FIG. 9

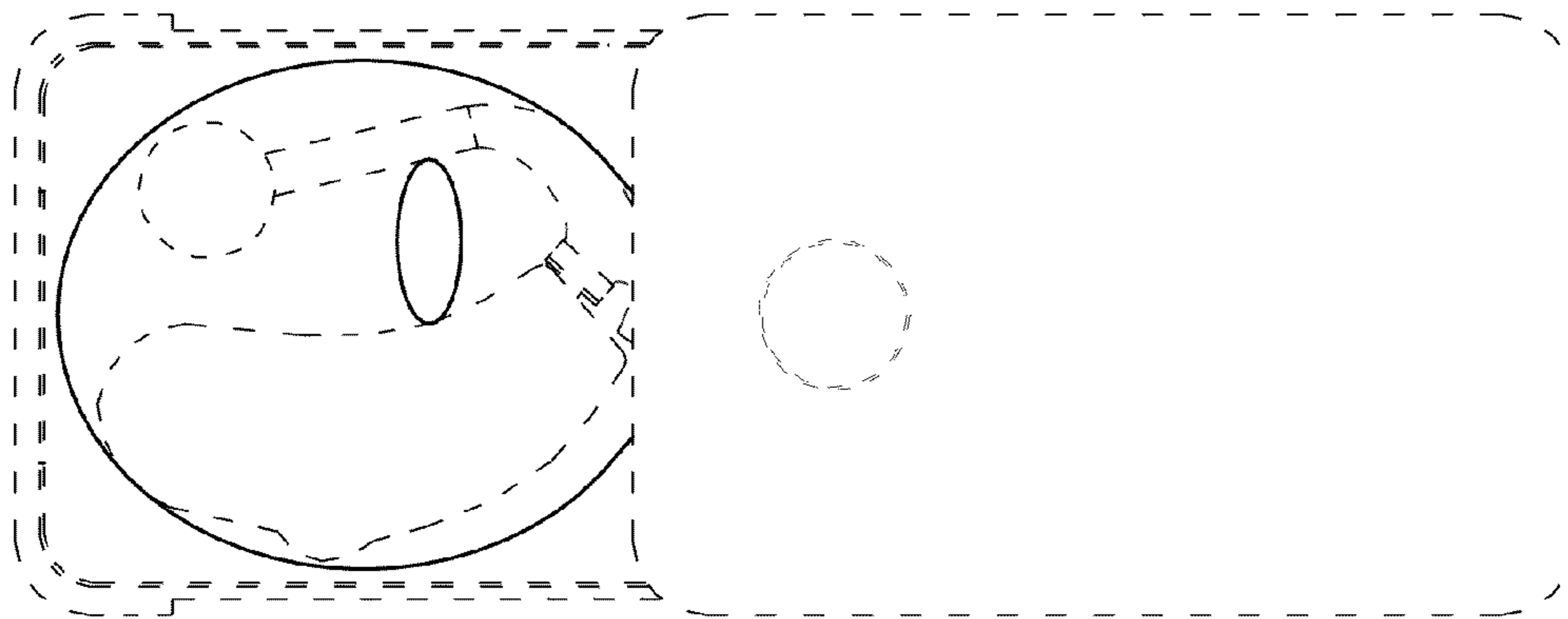


FIG. 10