



US00D696192S

(12) **United States Design Patent**  
**Hatanaka**

(10) **Patent No.:** **US D696,192 S**

(45) **Date of Patent:** **\*\* Dec. 24, 2013**

(54) **HEARING AID CHARGER**

(71) Applicant: **Nitto Denko Corporation**, Osaka (JP)

(72) Inventor: **Takezo Hatanaka**, Osaka (JP)

(73) Assignee: **Nitto Denko Corporation**, Osaka (JP)

(\*\*) Term: **14 Years**

(21) Appl. No.: **29/454,625**

(22) Filed: **May 13, 2013**

(30) **Foreign Application Priority Data**

Nov. 14, 2012 (JP) ..... 2012-027791

(51) **LOC (9) Cl.** ..... **13-02**

(52) **U.S. Cl.**  
USPC ..... **D13/108**

(58) **Field of Classification Search**  
USPC ..... D13/103, 107-110, 118-119, 184, 199;  
D14/217, 251, 253, 432, 434;  
320/107-115

See application file for complete search history.

(56) **References Cited**

**U.S. PATENT DOCUMENTS**

D328,277 S \* 7/1992 Leman et al. .... D13/108  
D385,530 S \* 10/1997 Hames et al. .... D13/107  
D442,939 S \* 5/2001 Goldenburg ..... D14/191  
D510,091 S \* 9/2005 Mori et al. .... D14/434  
D530,717 S \* 10/2006 Mori et al. .... D14/434  
D532,369 S \* 11/2006 Shimizu ..... D13/108  
D534,862 S \* 1/2007 Aguilar ..... D13/108  
D546,280 S \* 7/2007 Marchetto et al. .... D13/107

D553,106 S \* 10/2007 Griffin ..... D14/434  
D558,209 S \* 12/2007 Ikeda et al. .... D14/434  
D629,355 S \* 12/2010 Bodley et al. .... D13/108  
D648,707 S \* 11/2011 Akana et al. .... D14/217  
D680,541 S \* 4/2013 Lee et al. .... D14/434

\* cited by examiner

*Primary Examiner* — Rosemary K Tarcza

(74) *Attorney, Agent, or Firm* — Dennis R. Haszko

(57) **CLAIM**

The ornamental design for a hearing aid charger, as shown and described.

**DESCRIPTION**

FIG. 1 is a side view of the hearing aid charger;  
FIG. 2 is a top view thereof;  
FIG. 3 is a bottom view thereof;  
FIG. 4 is a side view thereof;  
FIG. 5 is a side view thereof;  
FIG. 6 is a cross-sectional view thereof taken along line 6-6 of FIG. 1;  
FIG. 7 is a cross-sectional view thereof taken along line 7-7 of FIG. 2;  
FIG. 8 is a perspective view thereof, shown in an open position;  
FIG. 9 is a top view thereof, shown in an open position; and,  
FIG. 10 is another top view thereof, shown in an open position.

The portions shown in broken lines form no part of the claimed design. The broken lines which define the bounds of the claimed design form no part thereof. FIG. 10 shows a hearing aid, in broken lines, which does not form part of the claimed design.

**1 Claim, 5 Drawing Sheets**

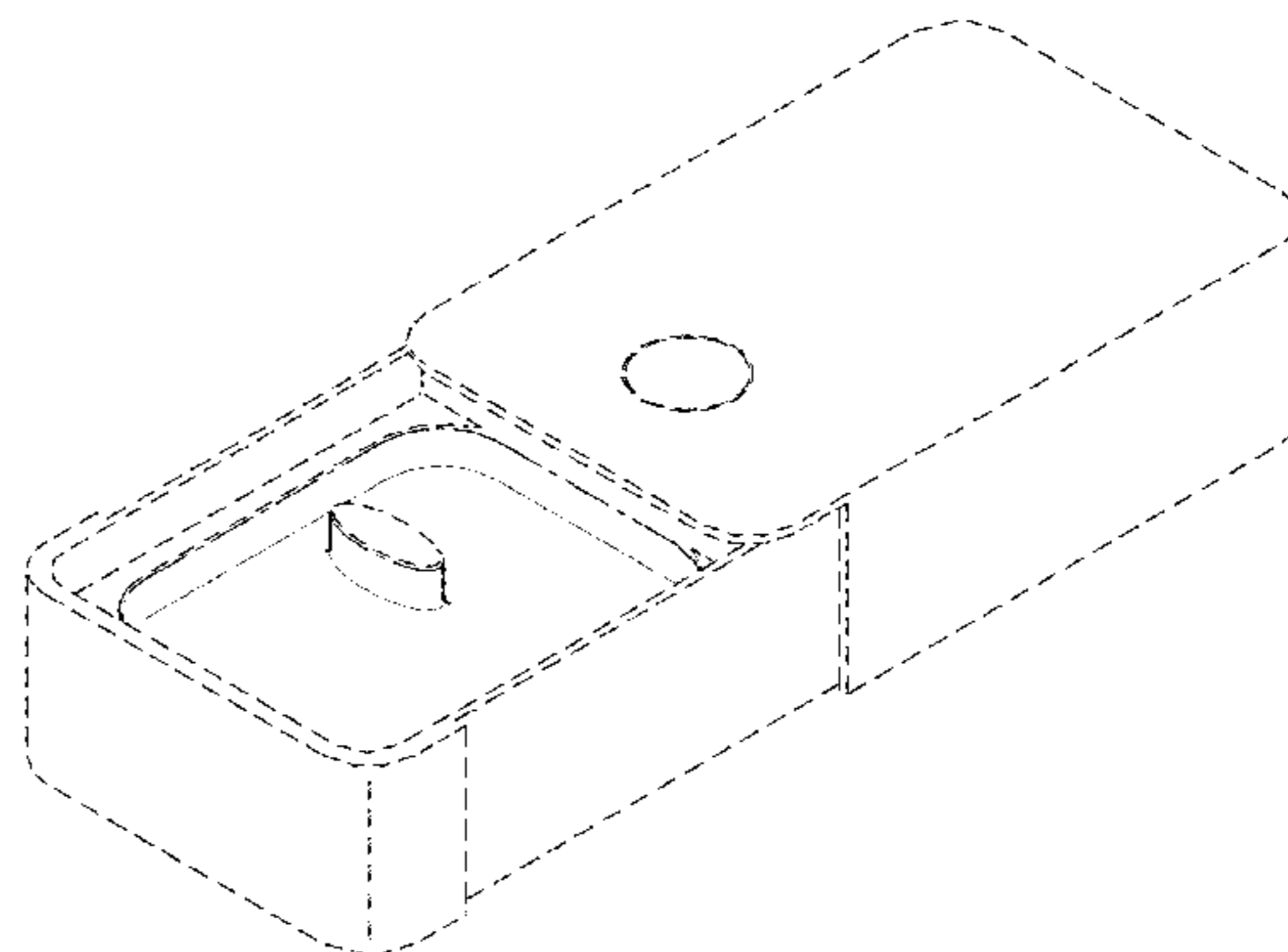
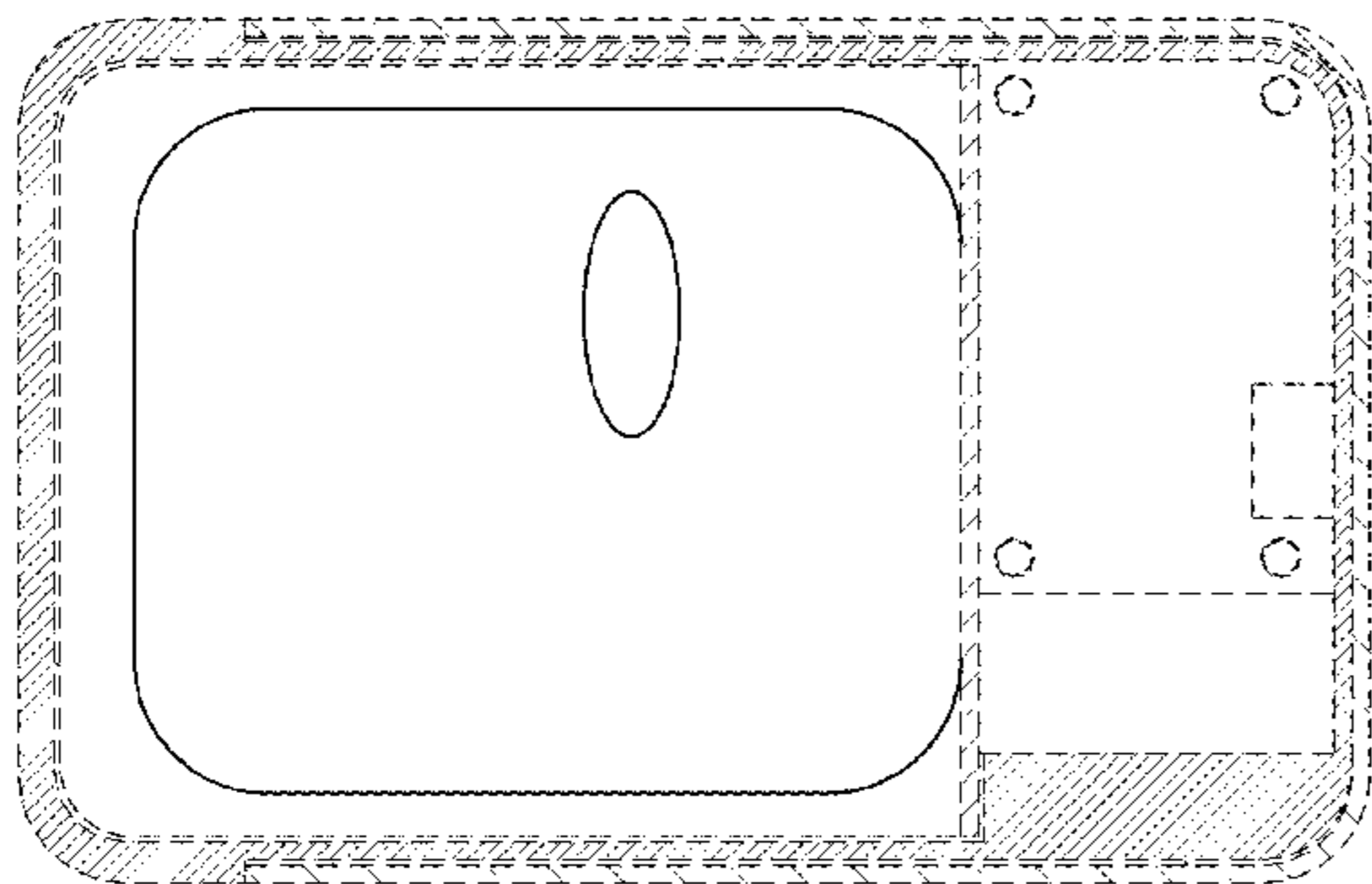




FIG.1

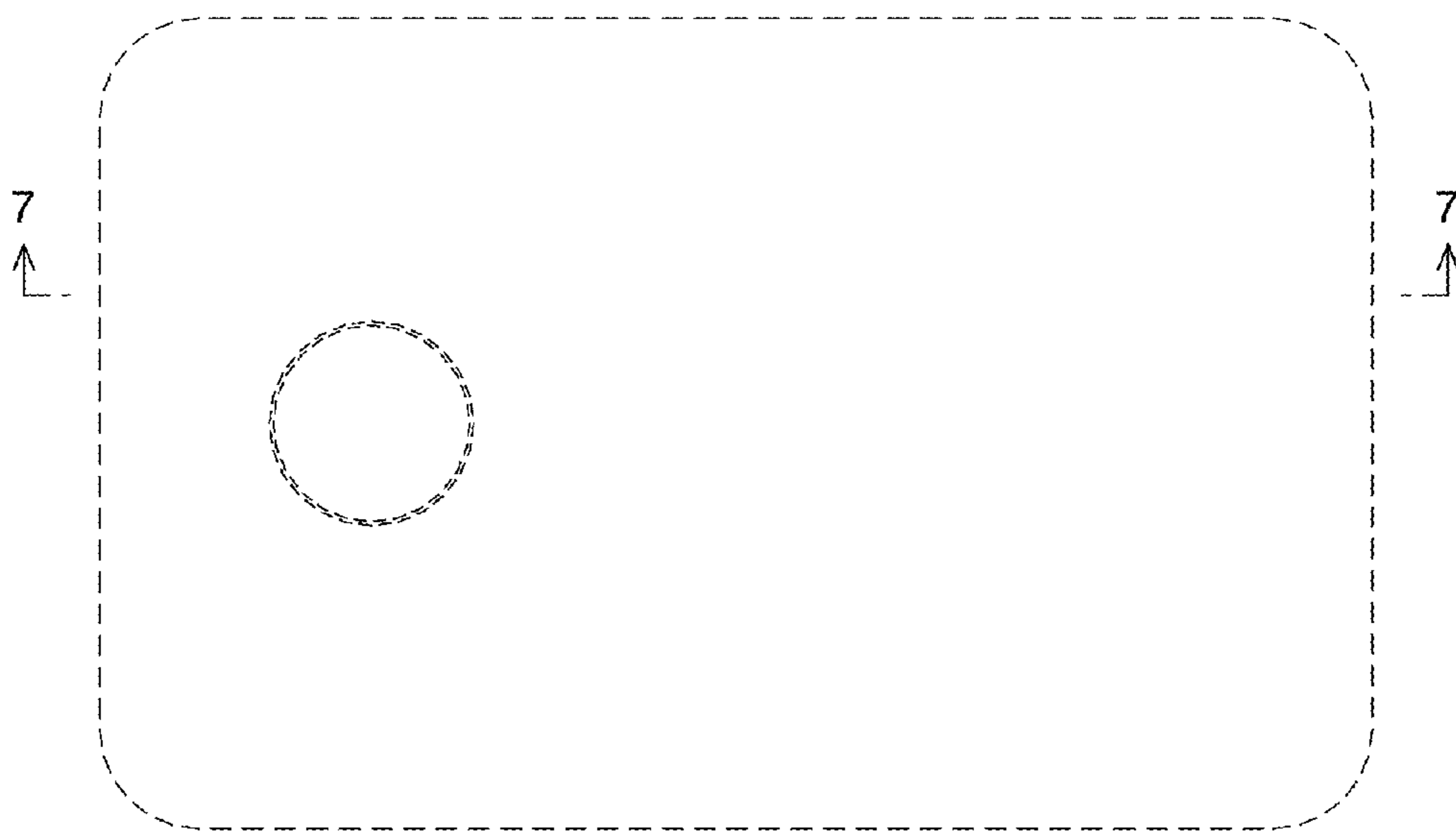


FIG.2

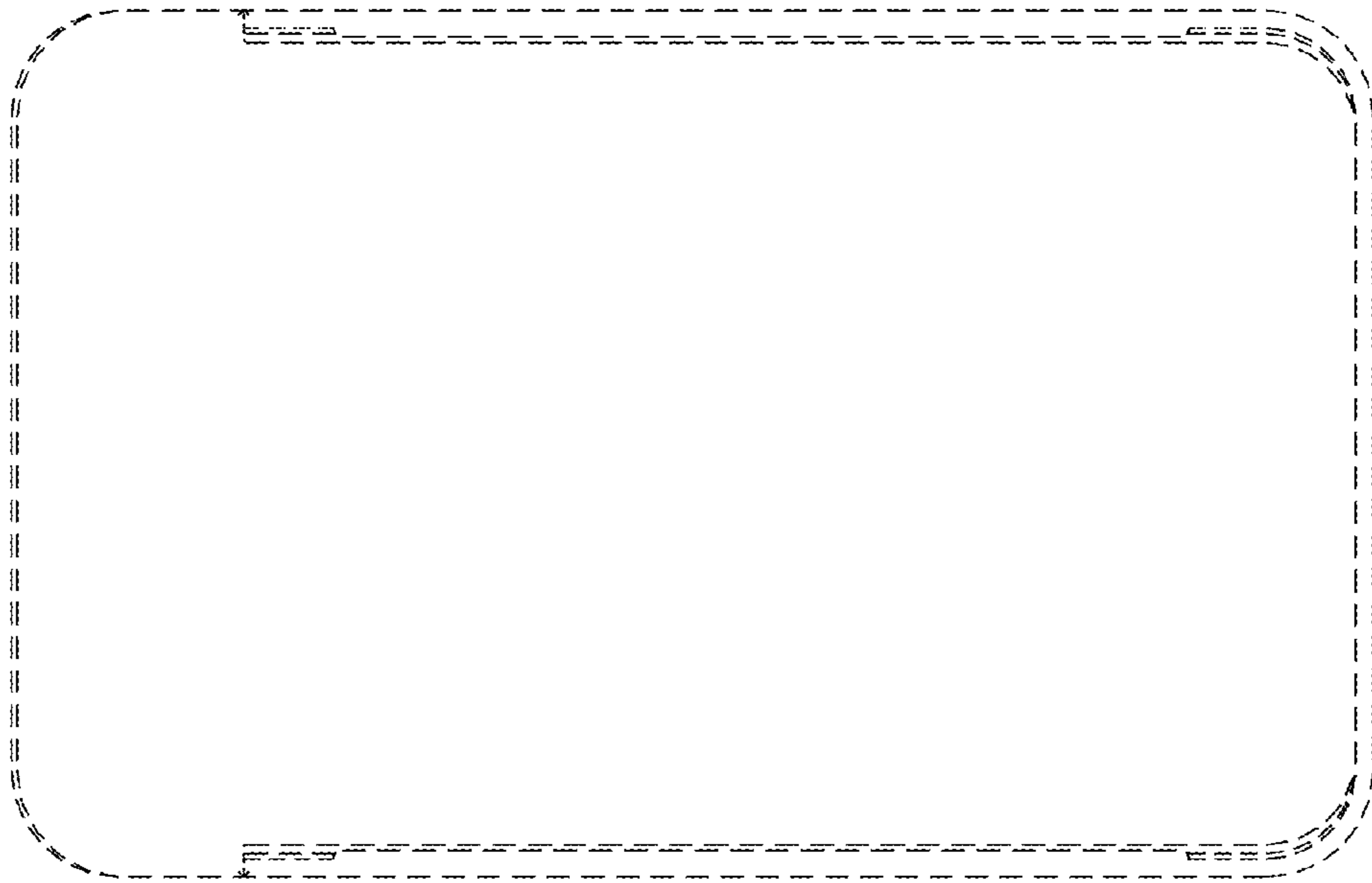


FIG.3

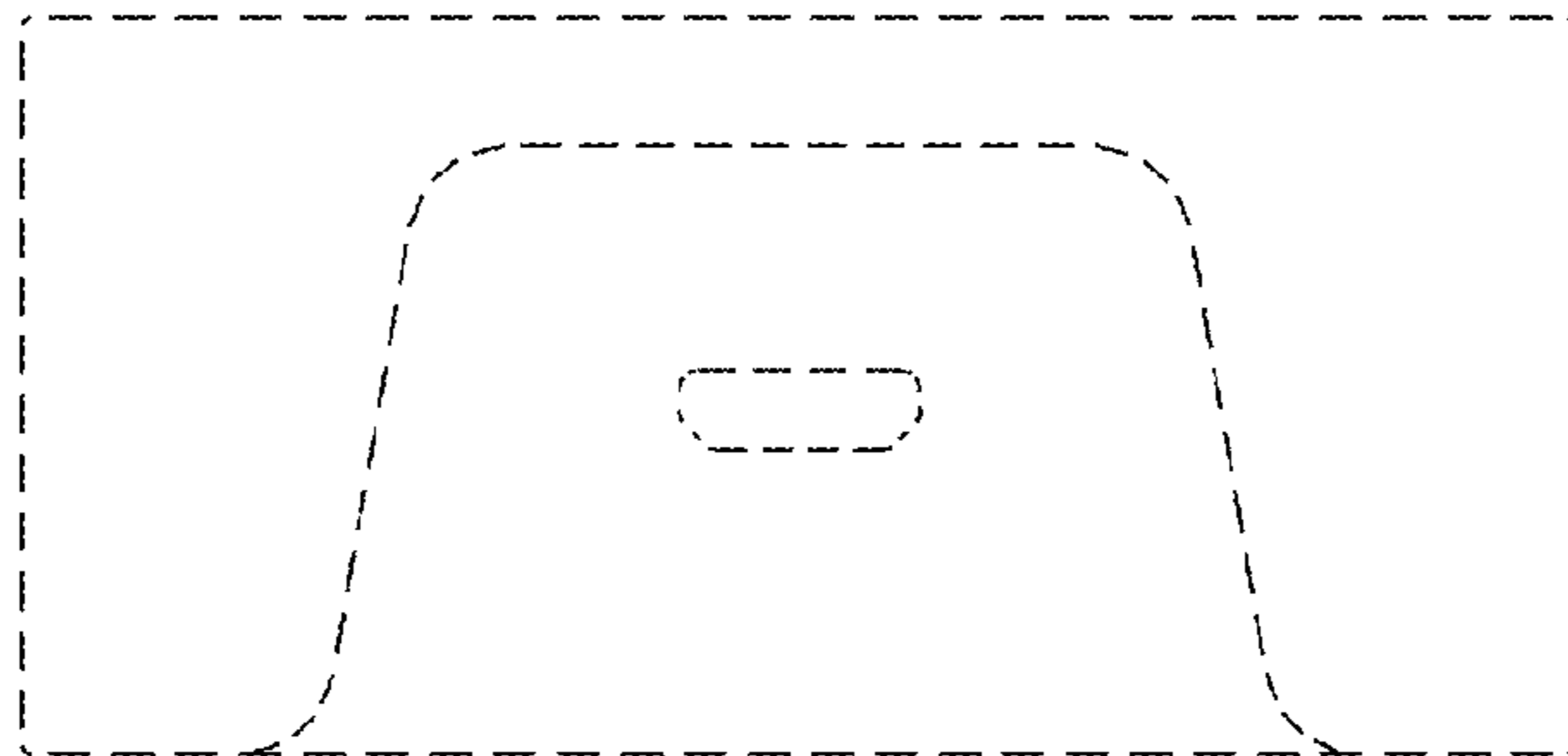


FIG.4

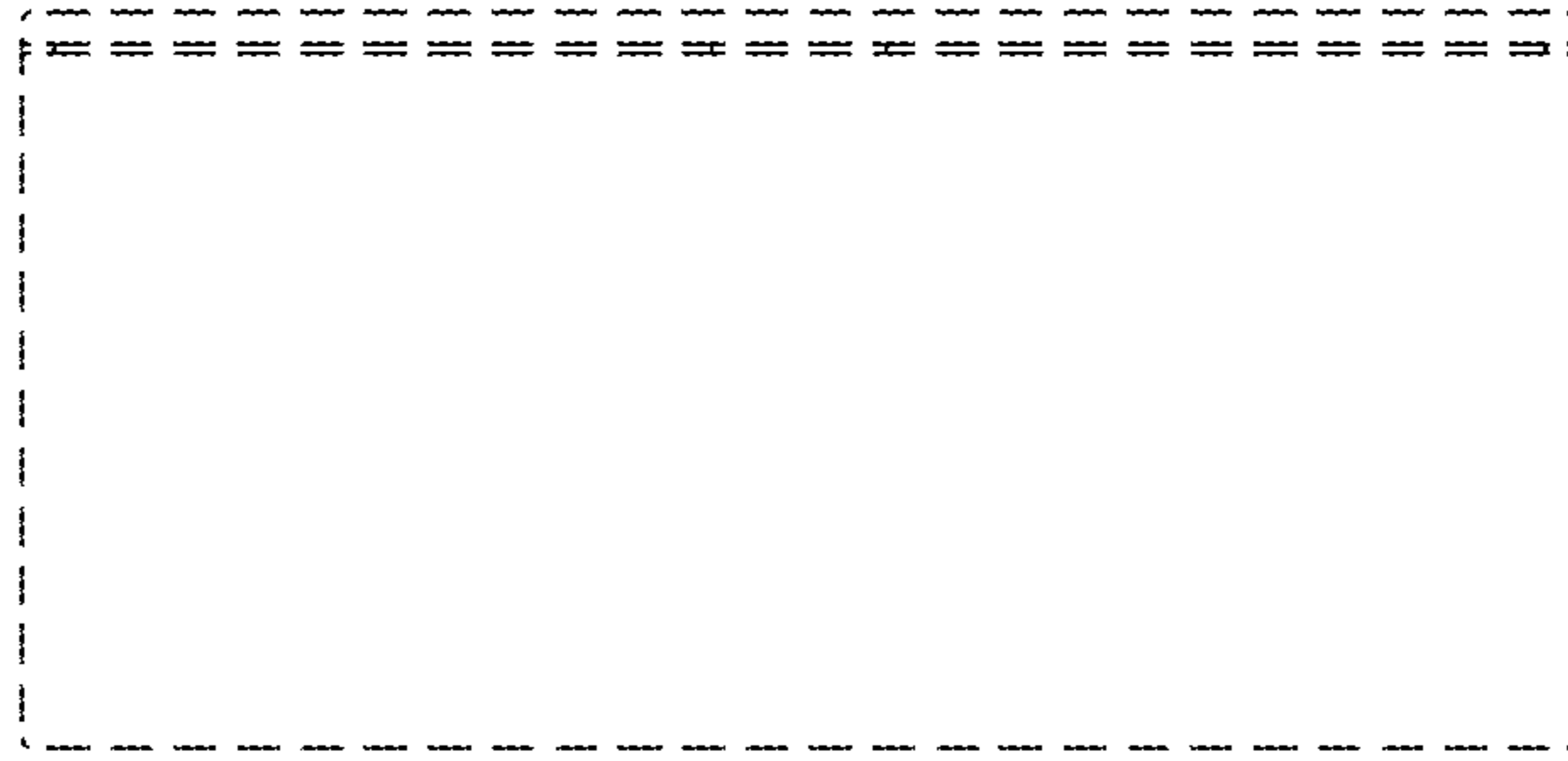


FIG. 5

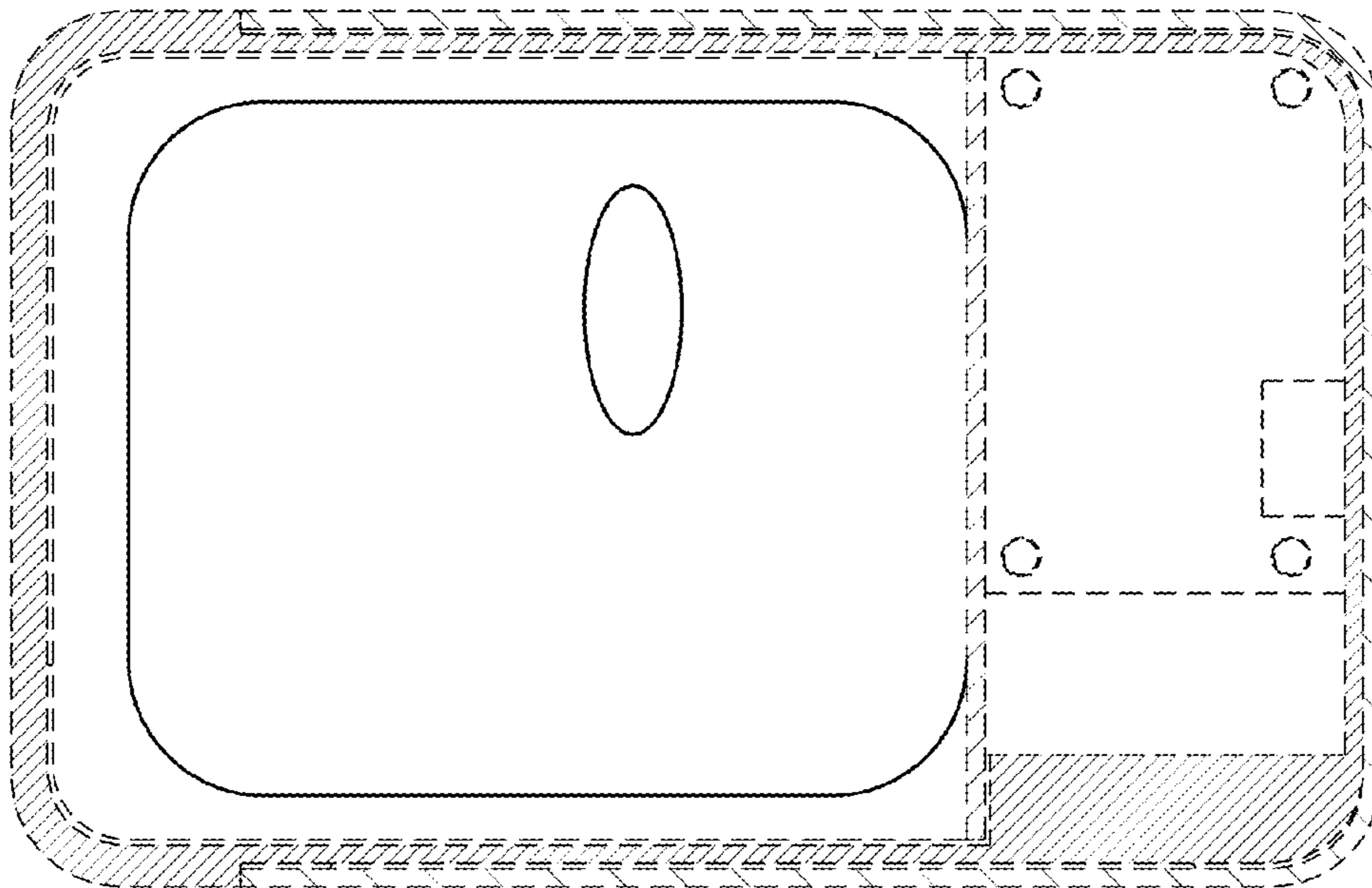


FIG. 6

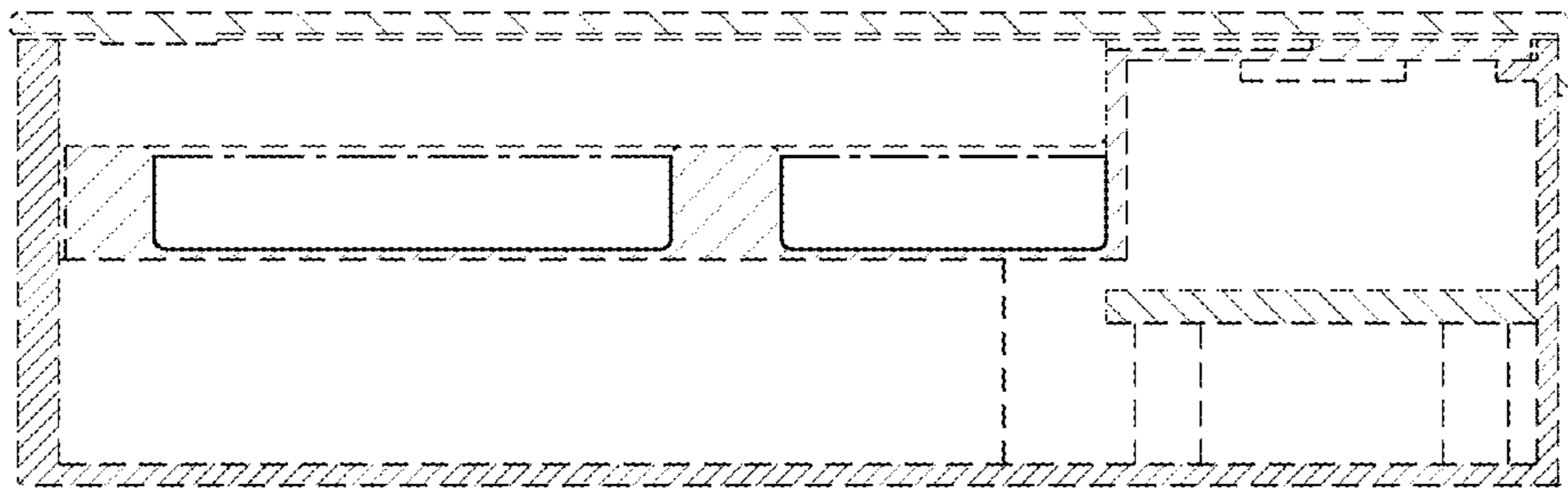


FIG. 7

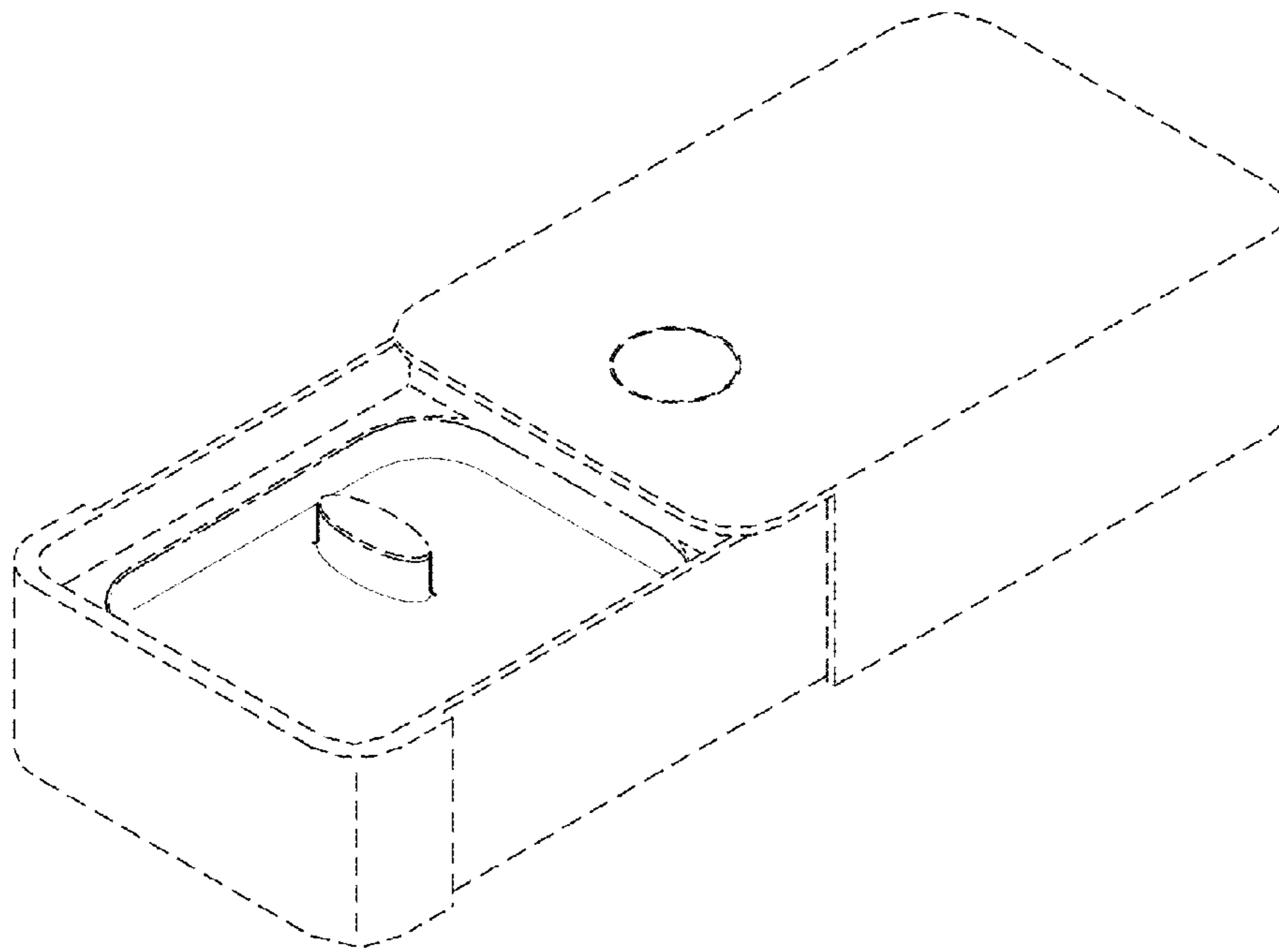


FIG. 8

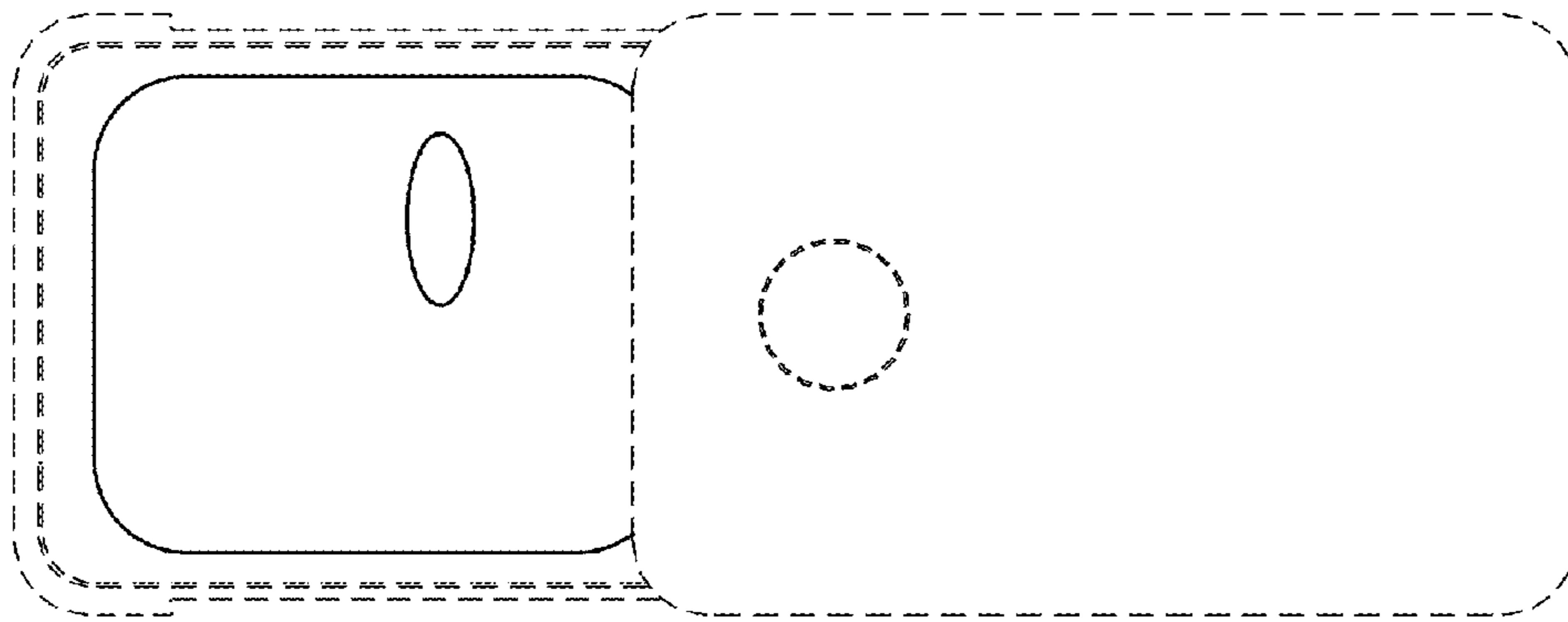


FIG. 9

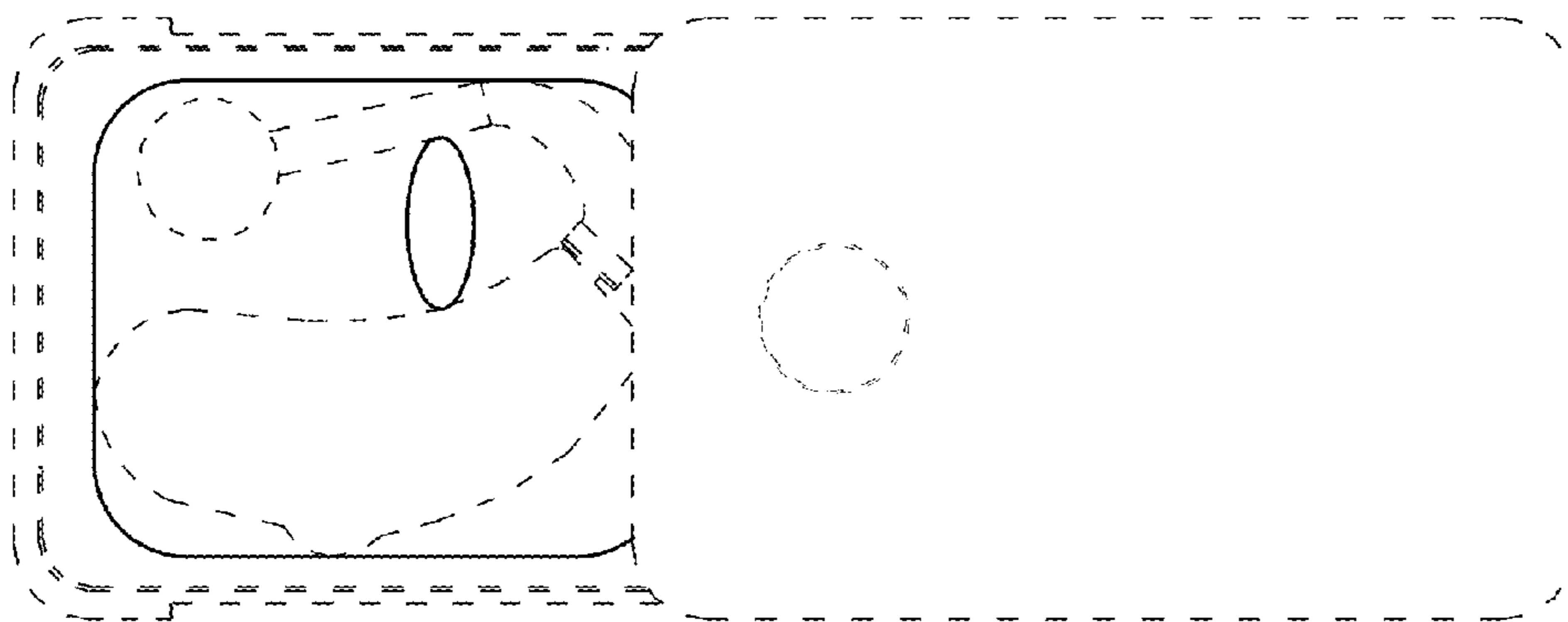


FIG. 10