



US00D696189S

(12) **United States Design Patent**  
**Muto et al.**

(10) **Patent No.:** **US D696,189 S**

(45) **Date of Patent:** **\*\* Dec. 24, 2013**

(54) **CHARGER**

(71) Applicant: **Hosiden Corporation**, Yao (JP)

(72) Inventors: **Takashi Muto**, Yao (JP); **Hikaru Okamura**, Yao (JP)

(73) Assignee: **Hosiden Corporation**, Yao-Shi (JP)

(\*\*) Term: **14 Years**

(21) Appl. No.: **29/441,203**

(22) Filed: **Jan. 2, 2013**

(30) **Foreign Application Priority Data**

Jul. 10, 2012 (JP) ..... 2012-016395

(51) **LOC (9) Cl.** ..... **13-02**

(52) **U.S. Cl.**  
USPC ..... **D13/108**

(58) **Field of Classification Search**  
USPC ..... D13/107–110, 118–119, 184, 199;  
D14/217, 251, 253, 432, 434;  
320/107–115  
See application file for complete search history.

(56) **References Cited**

**U.S. PATENT DOCUMENTS**

D341,962 S *	12/1993	Bovermann et al.	.....	D6/492
D363,276 S *	10/1995	Lucente et al.	.....	D14/434
D368,429 S *	4/1996	Serio, Jr.	.....	D9/431
D424,026 S *	5/2000	Kabat	.....	D13/184
D427,978 S *	7/2000	Kabat	.....	D13/184
D644,228 S *	8/2011	Corsini et al.	.....	D14/434
D668,605 S *	10/2012	Park	.....	D13/108
D677,224 S *	3/2013	Chen et al.	.....	D13/110

\* cited by examiner

*Primary Examiner* — Rosemary K Tarcza

(74) *Attorney, Agent, or Firm* — Rankin, Hill & Clark LLP

(57) **CLAIM**

The ornamental design for a charger, as shown and described.

**DESCRIPTION**

FIG. 1 is a front, left side and top perspective view of a charger in accordance with an embodiment of our new design;  
 FIG. 2 is a front, left side and bottom perspective view of the charger in accordance with the embodiment of our new design;  
 FIG. 3 is a front elevation view of the charger in accordance with the embodiment of our new design;  
 FIG. 4 is a rear elevation view of the charger in accordance with the embodiment of our new design;  
 FIG. 5 is a left side view of the charger in accordance with the embodiment of our new design, a right side view being a mirror image thereof;  
 FIG. 6 is a top plan view of the charger in accordance with the embodiment of our new design;  
 FIG. 7 is a bottom plan view of the charger in accordance with the embodiment of our new design;  
 FIG. 8 is a cross-sectional view taken along a line 8-8 in FIG. 3 of the charger in accordance with the embodiment of our new design; and,  
 FIG. 9 is a cross-sectional view taken along a line 9-9 in FIG. 6 of the charger in accordance with the embodiment of our new design.  
 The broken lines shown in the drawings are included for the purpose of illustrating environmental structure and form no part of the claimed design.

**1 Claim, 4 Drawing Sheets**

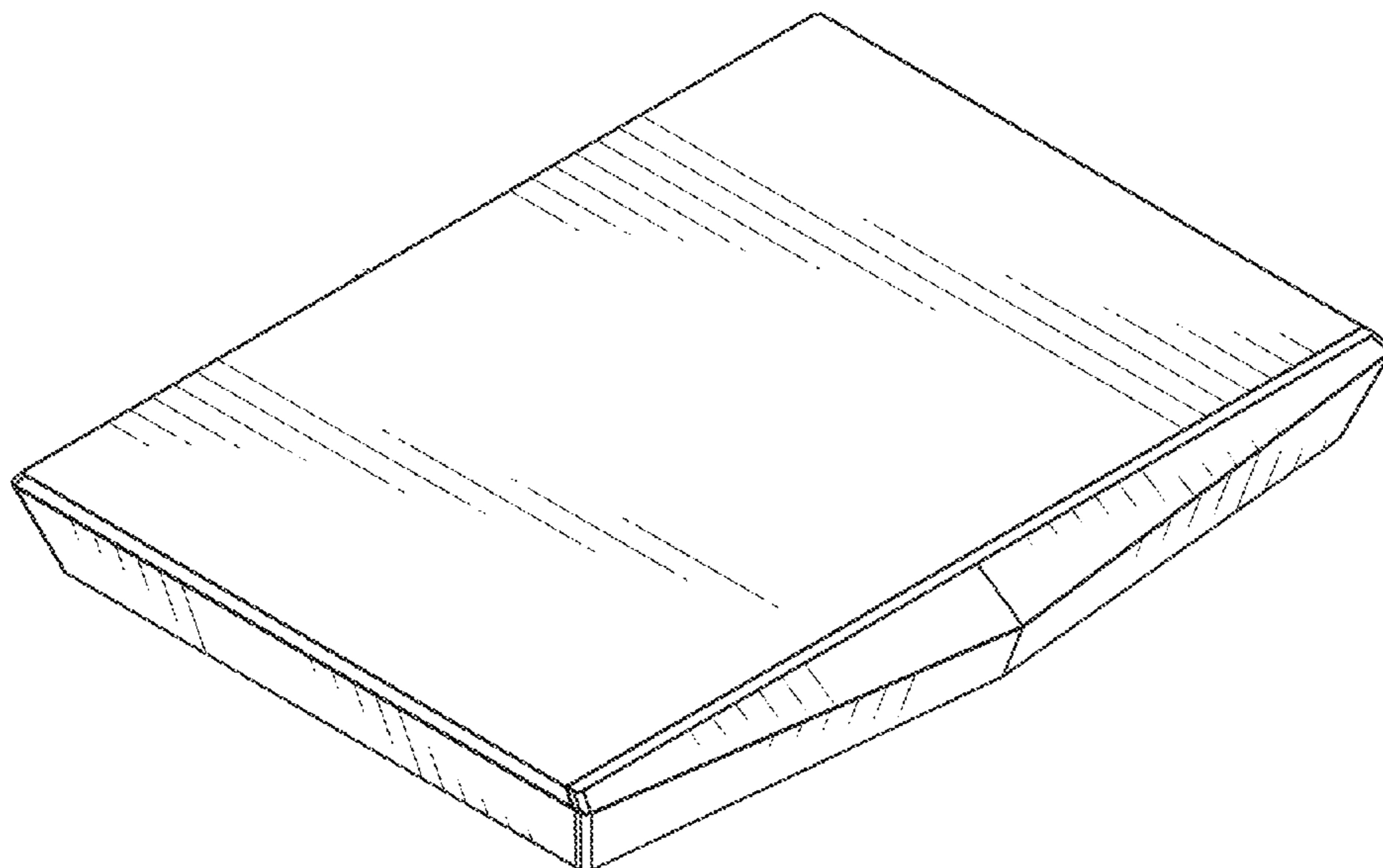


Fig. 1

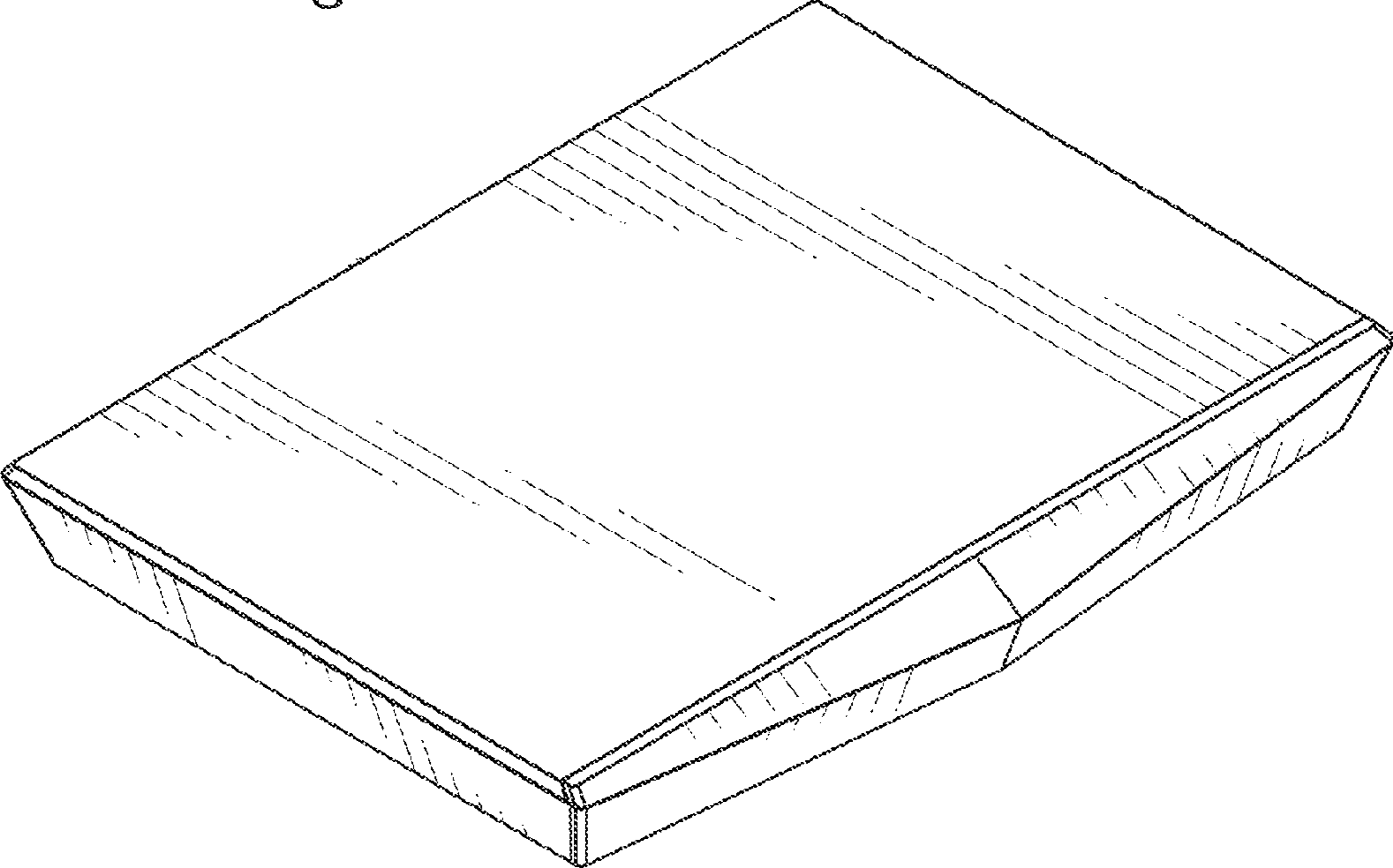


Fig. 2

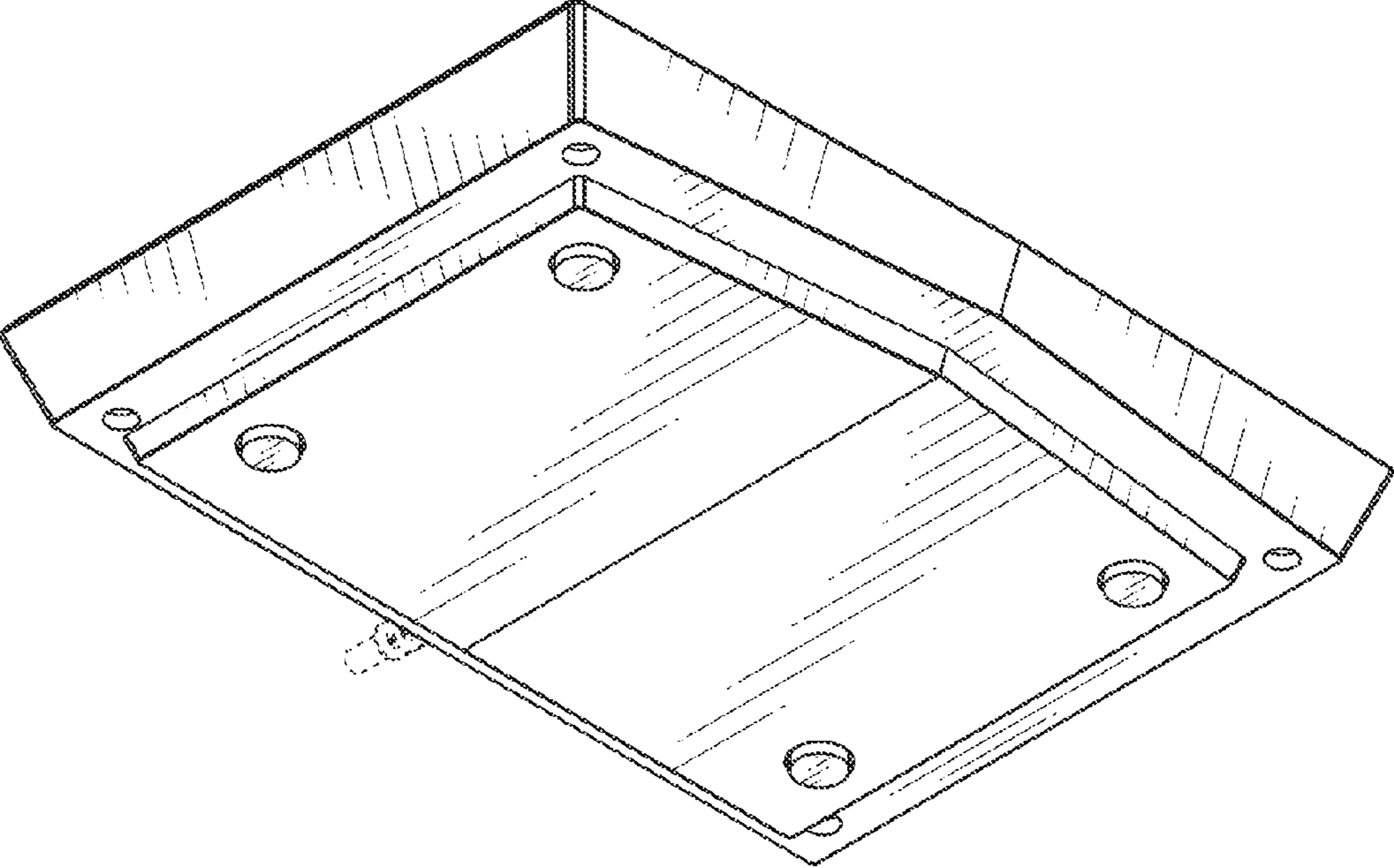


Fig. 3

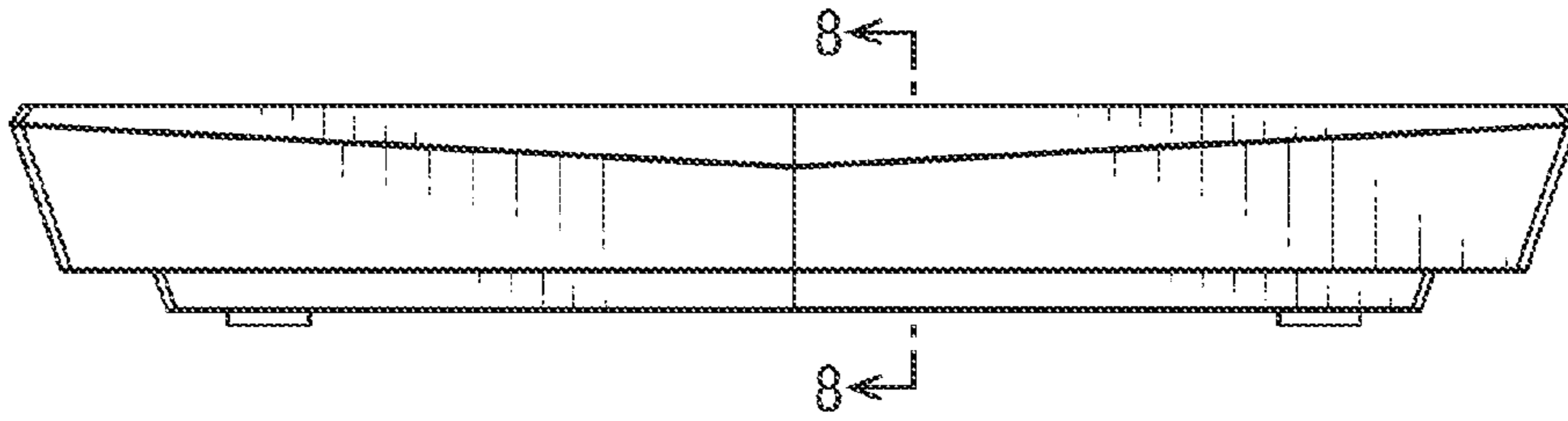


Fig. 4

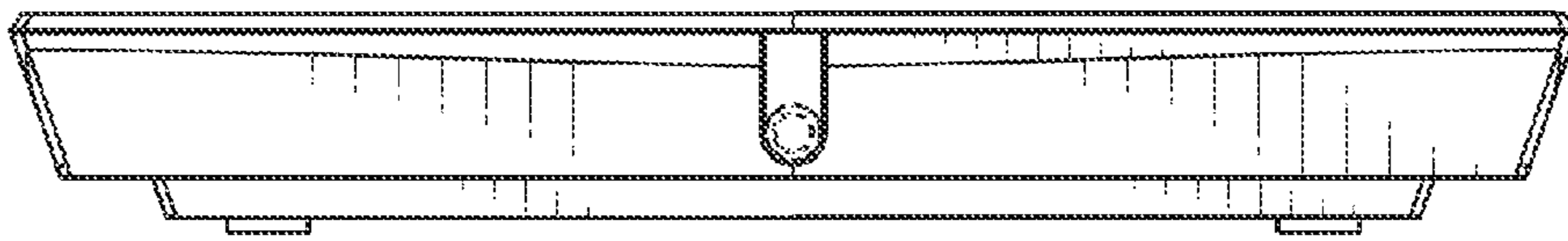


Fig. 5

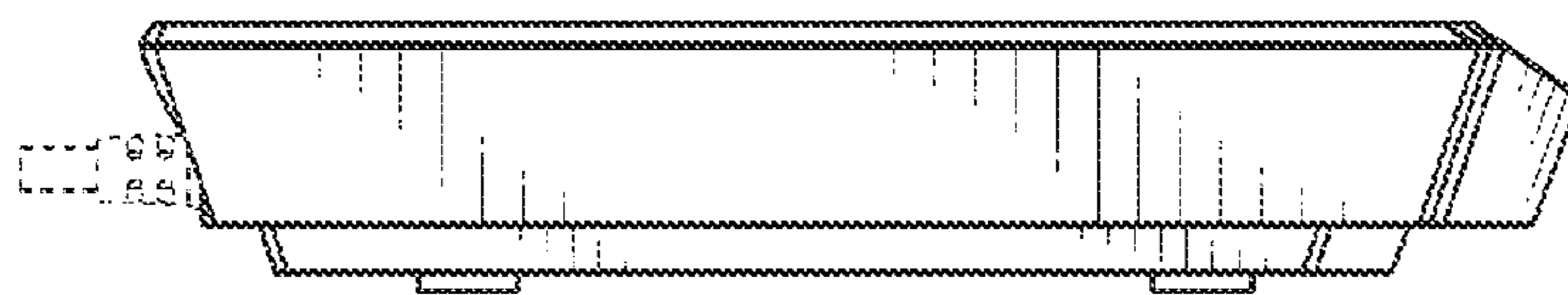


Fig. 6

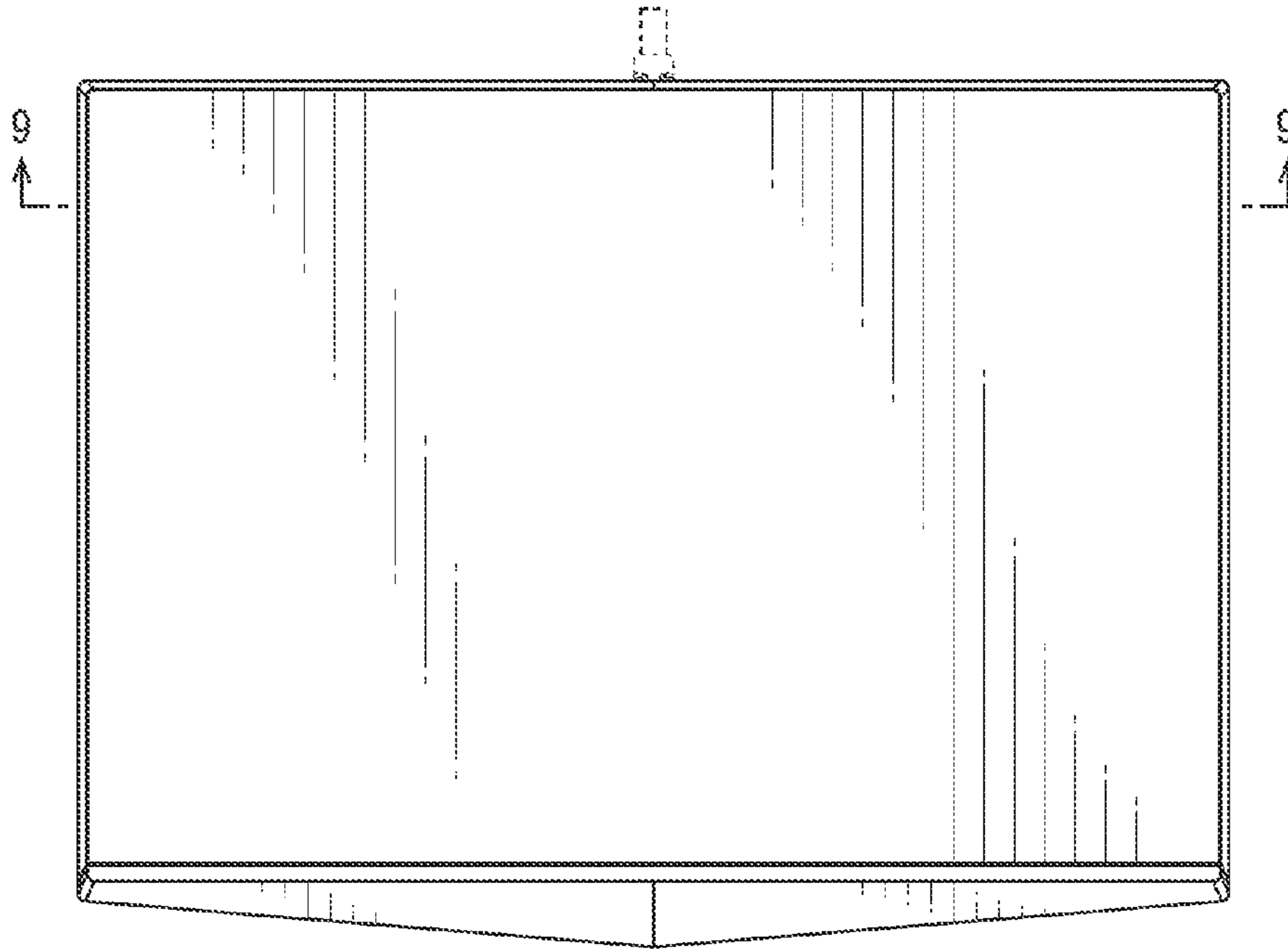


Fig. 7

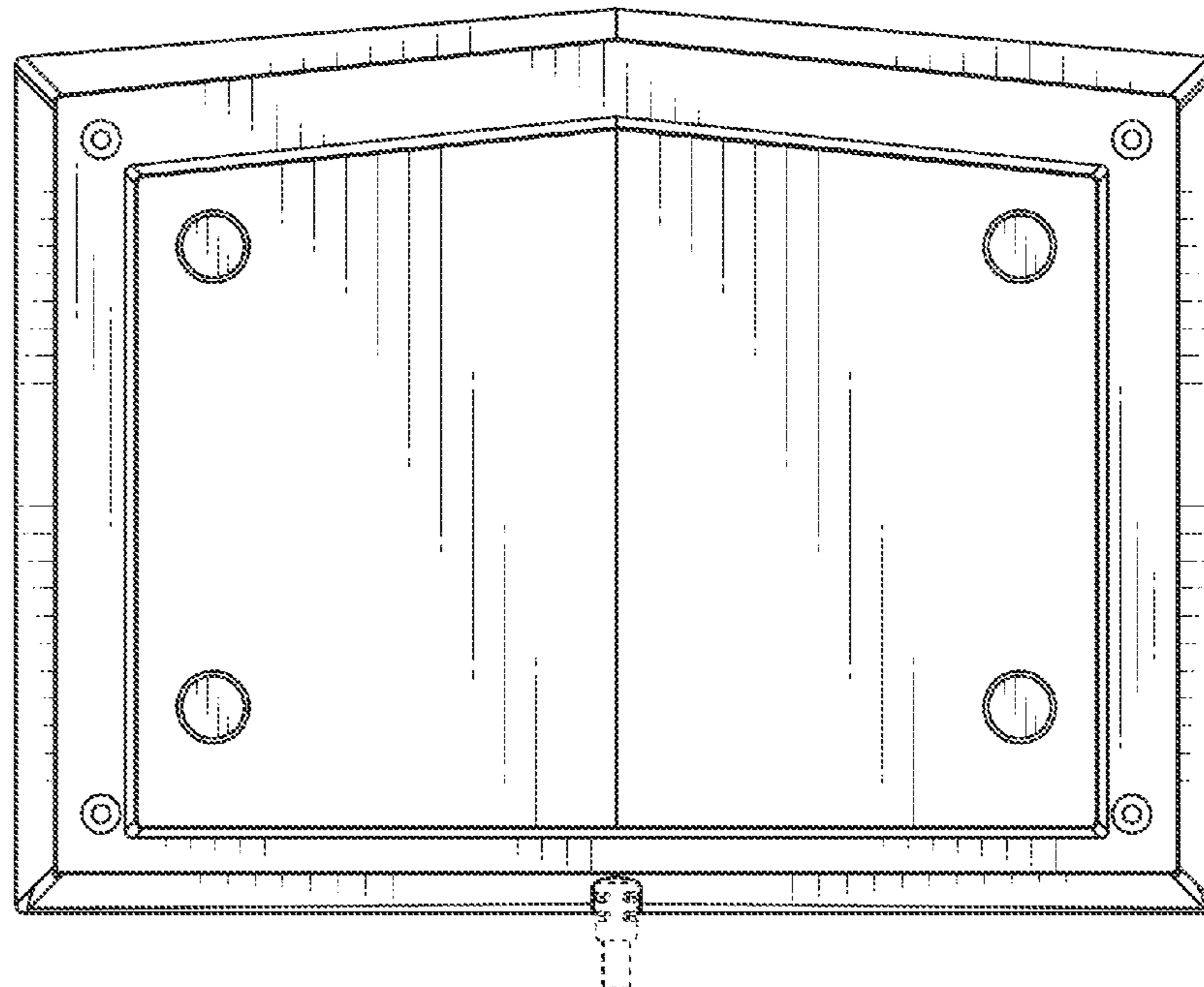


Fig. 8

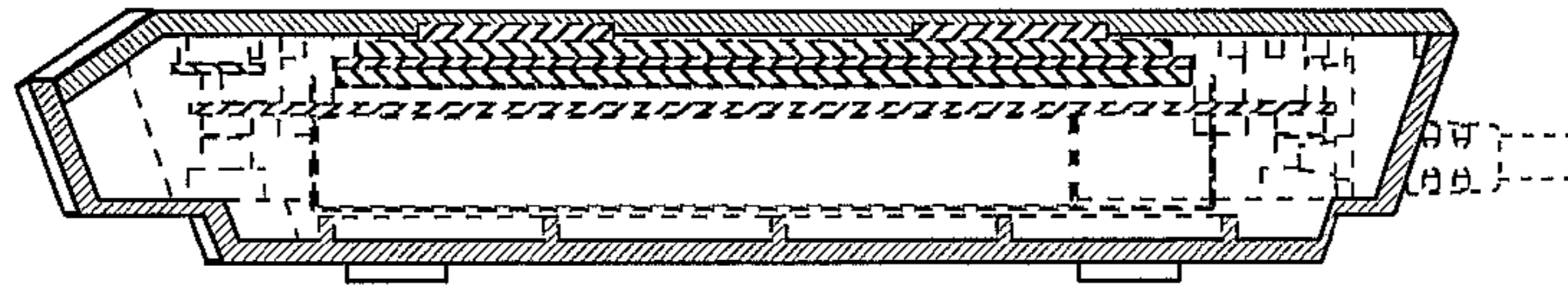


Fig. 9

