



US00D696188S

(12) **United States Design Patent**
Loeck et al.

(10) **Patent No.:** **US D696,188 S**
(45) **Date of Patent:** **** Dec. 24, 2013**

(54) **PORTABLE BATTERY CHARGER**
(71) Applicant: **Actuant Corporation**, Menomonee Falls, WI (US)
(72) Inventors: **Jonathan P. Loeck**, Sherwood, WI (US); **Shaun Horan**, Muskego, WI (US); **Andrew J. Janetski**, Menomonie, WI (US); **Katie A. Remaly**, Eau Claire, WI (US); **David J. Keyes**, Eau Claire, WI (US)

D570,772 S * 6/2008 Mahaffey et al. D13/110
D575,225 S * 8/2008 Ahlgren D13/107
D581,356 S * 11/2008 Ahlgren D13/107
D603,334 S * 11/2009 Suzuki D13/108
D617,267 S * 6/2010 Li D13/107
D624,013 S * 9/2010 Lingott D13/107
D624,014 S * 9/2010 Lingott D13/107
D654,854 S * 2/2012 Inskeep D13/107
D664,501 S * 7/2012 Inskeep D13/107
D667,788 S * 9/2012 Mai D13/110
D676,380 S * 2/2013 Sun D13/108
2012/0281392 A1 * 11/2012 Workman et al. 362/183

* cited by examiner

(73) Assignee: **Actuant Corporation**, Menomonee Falls, WI (US)

Primary Examiner — Rosemary K Tarcza

(**) Term: **14 Years**

(74) *Attorney, Agent, or Firm* — James Earl Lowe, Jr.

(21) Appl. No.: **29/434,931**

(57) **CLAIM**

The ornamental design for a portable battery charger, as shown and described.

(22) Filed: **Oct. 18, 2012**

(51) **LOC (9) Cl.** **13-02**

(52) **U.S. Cl.**
USPC **D13/108**

(58) **Field of Classification Search**
USPC D13/107–110, 118–119, 184, 199;
D14/217; 320/107–115
See application file for complete search history.

DESCRIPTION

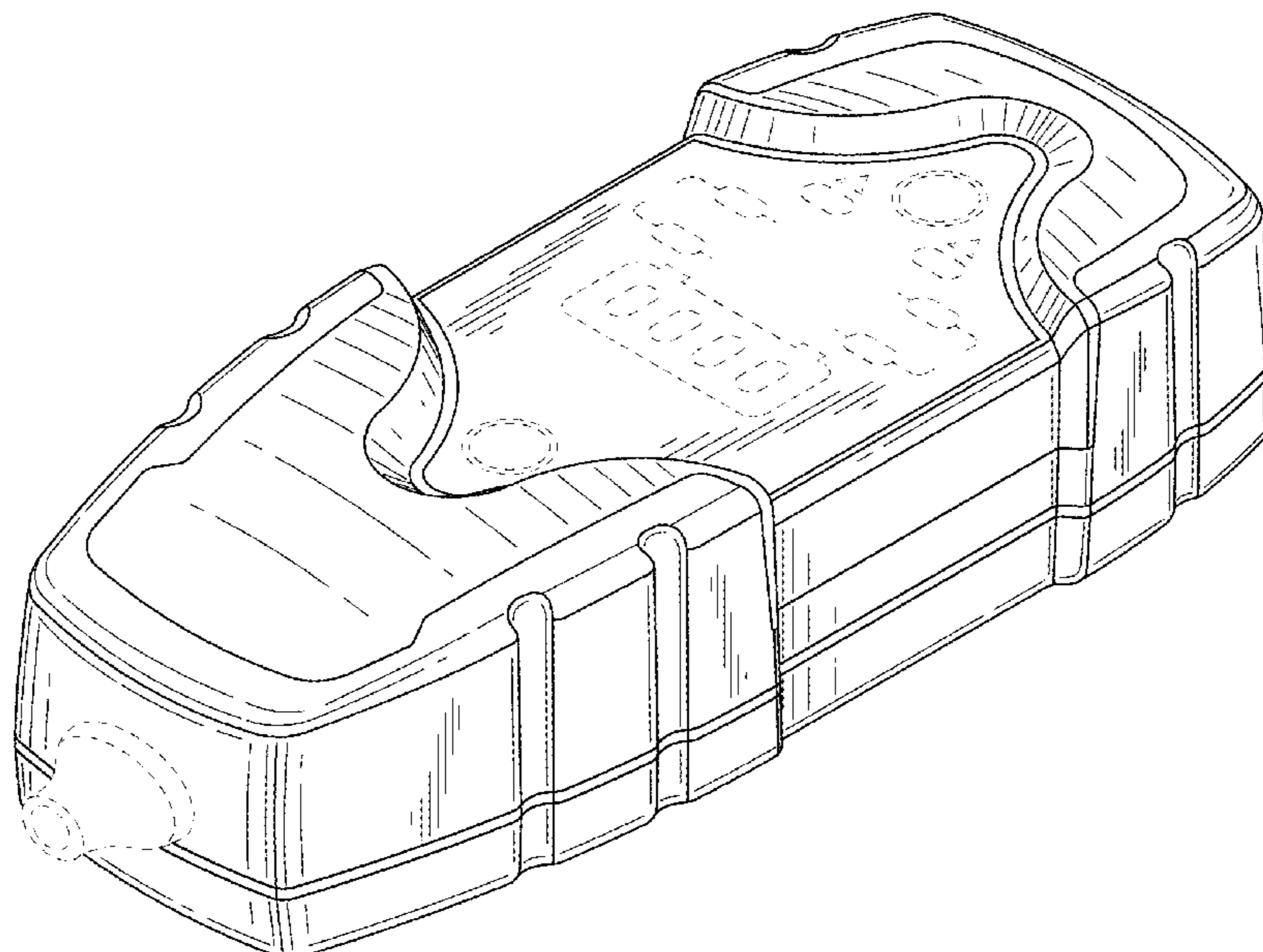
FIG. 1 is a front perspective view of a portable battery charger showing our new design;
FIG. 2 is a top elevation view thereof;
FIG. 3 is a bottom elevation view thereof.
FIG. 4 is a right side elevation view thereof;
FIG. 5 is a left side elevation view thereof;
FIG. 6 is a front elevation view thereof; and,
FIG. 7 is a rear elevation view thereof.
The broken line representations of portions of the portable battery charger in FIGS. 1 to 7 are shown for illustrative purposes only and form no part of the claimed design.

(56) **References Cited**

U.S. PATENT DOCUMENTS

5,019,767 A * 5/1991 Shirai et al. 320/112
D465,764 S * 11/2002 Salazar et al. D13/107
D494,541 S * 8/2004 Hriscu et al. D13/110
D556,678 S * 12/2007 Weinstein et al. D13/103

1 Claim, 4 Drawing Sheets



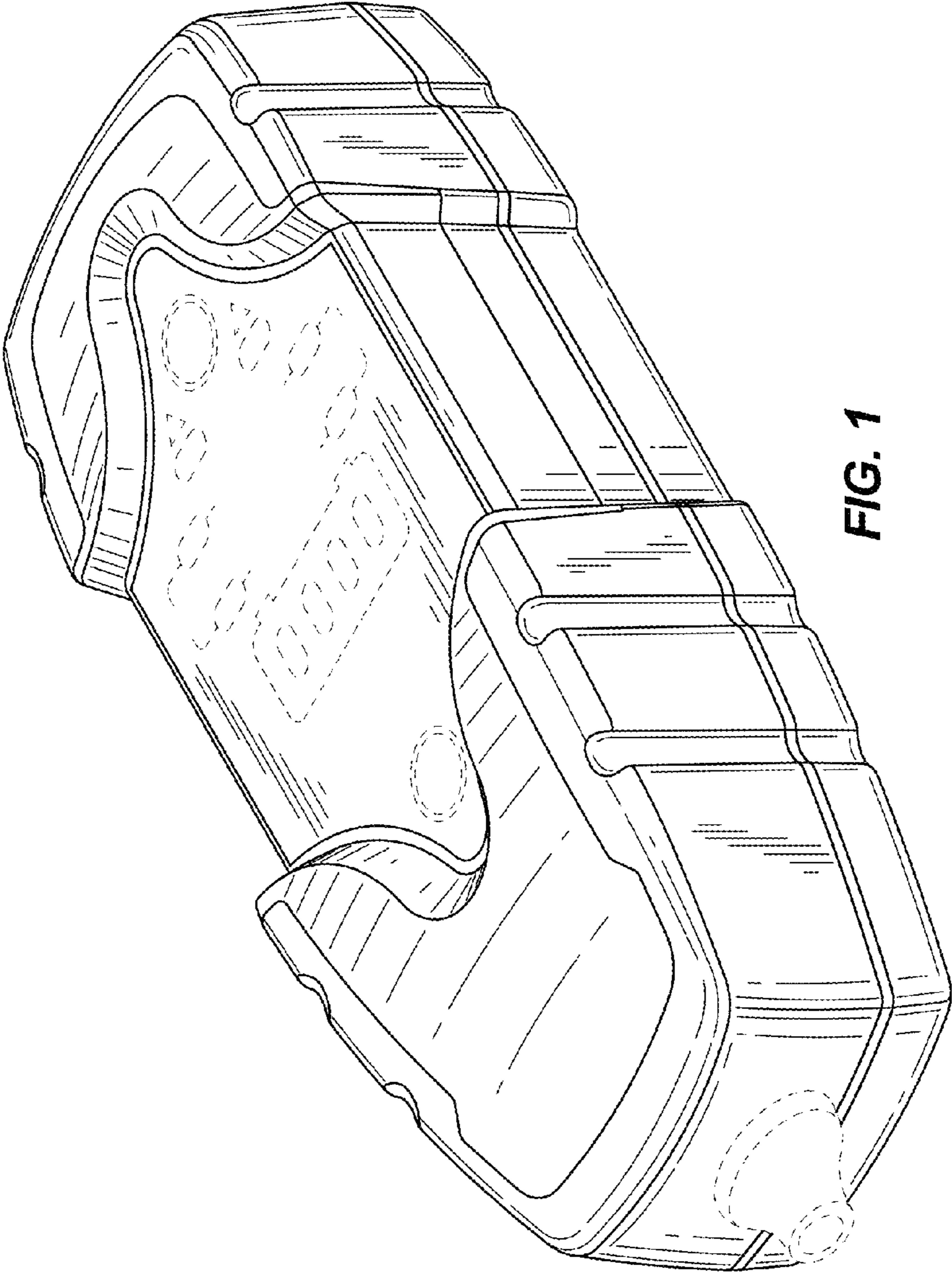


FIG. 1

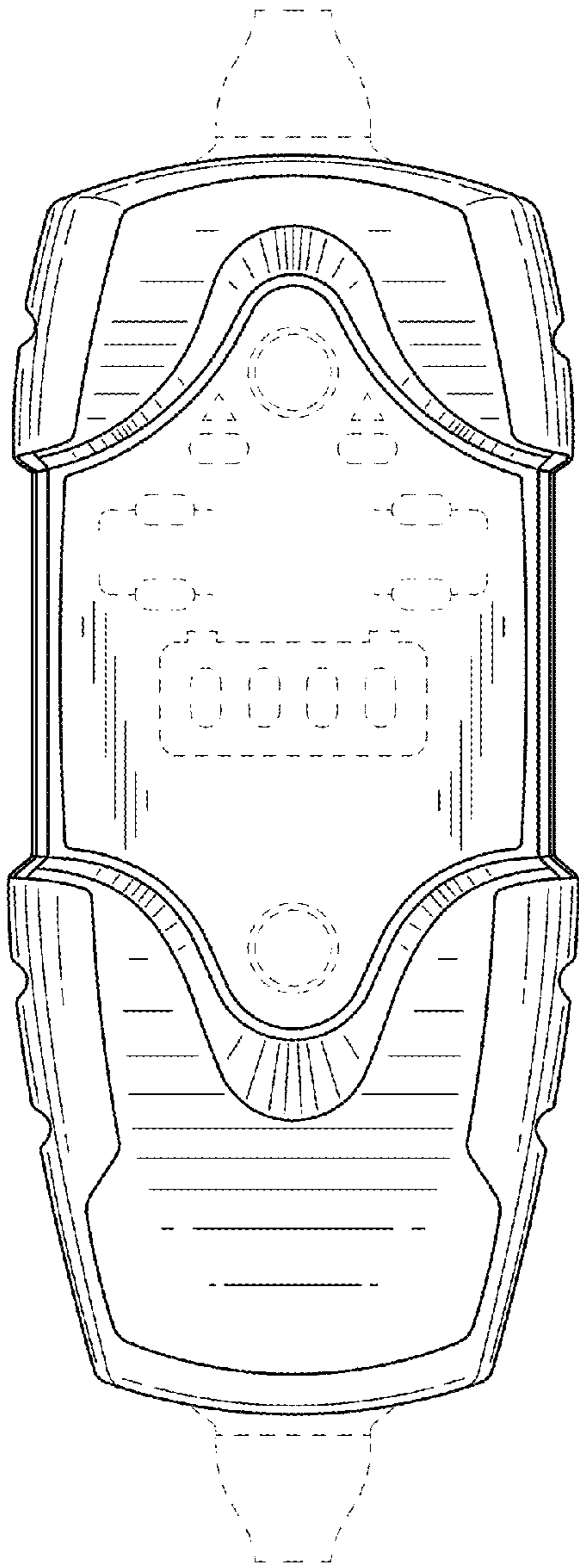


FIG. 2

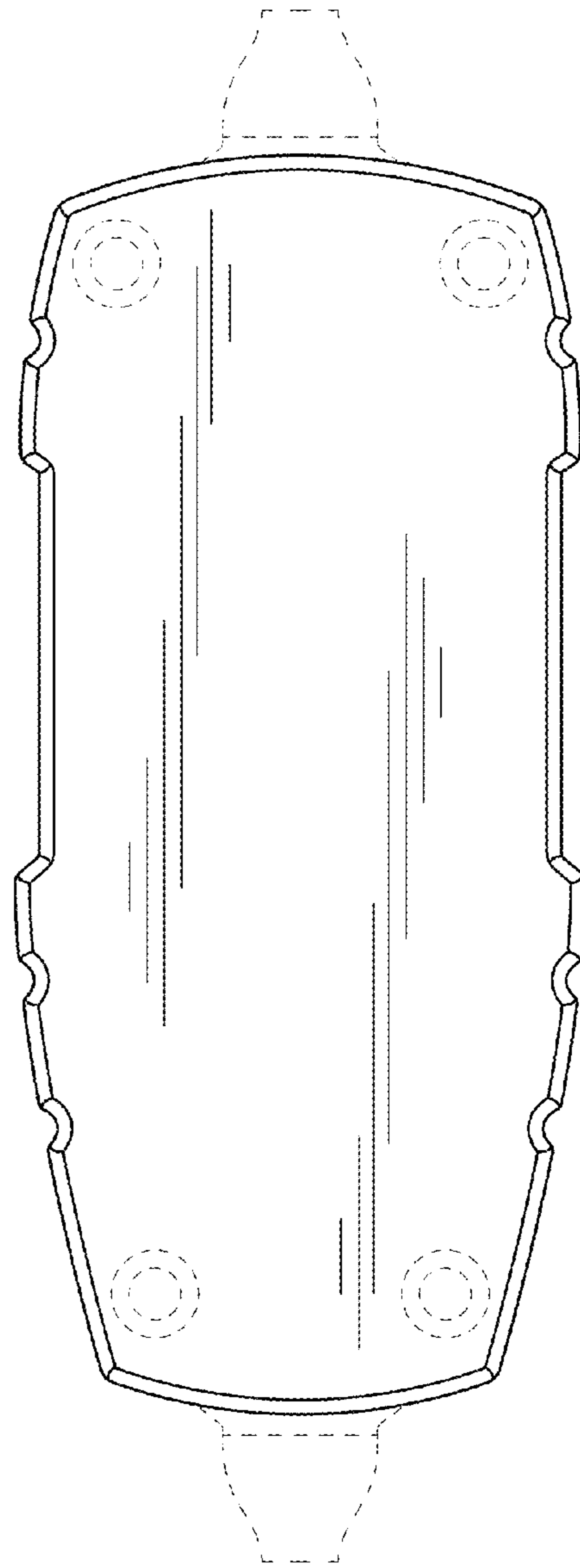


FIG. 3

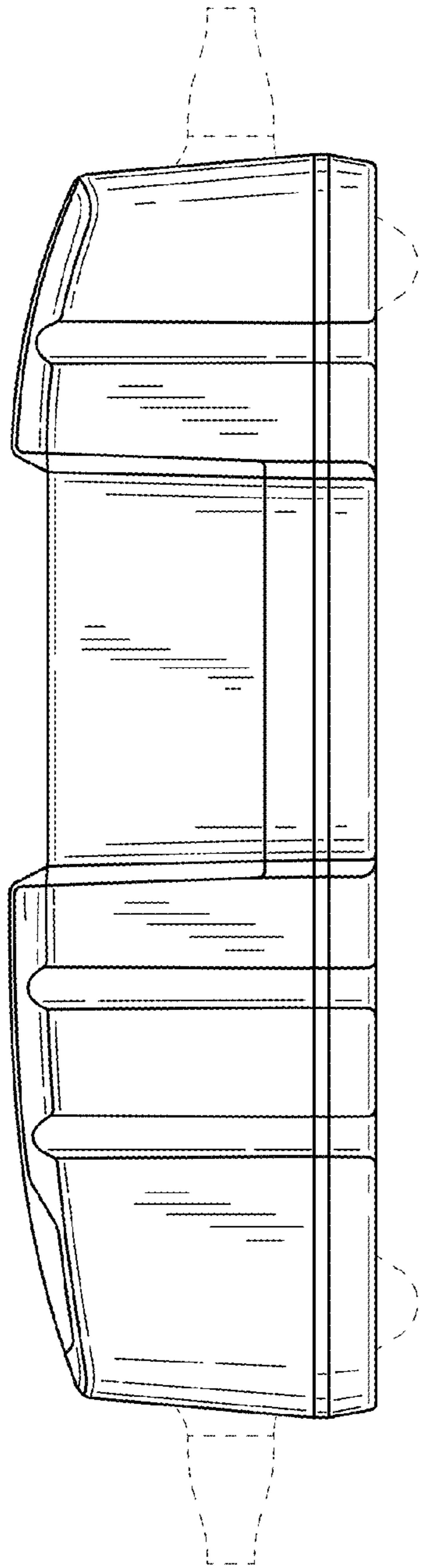


FIG. 4

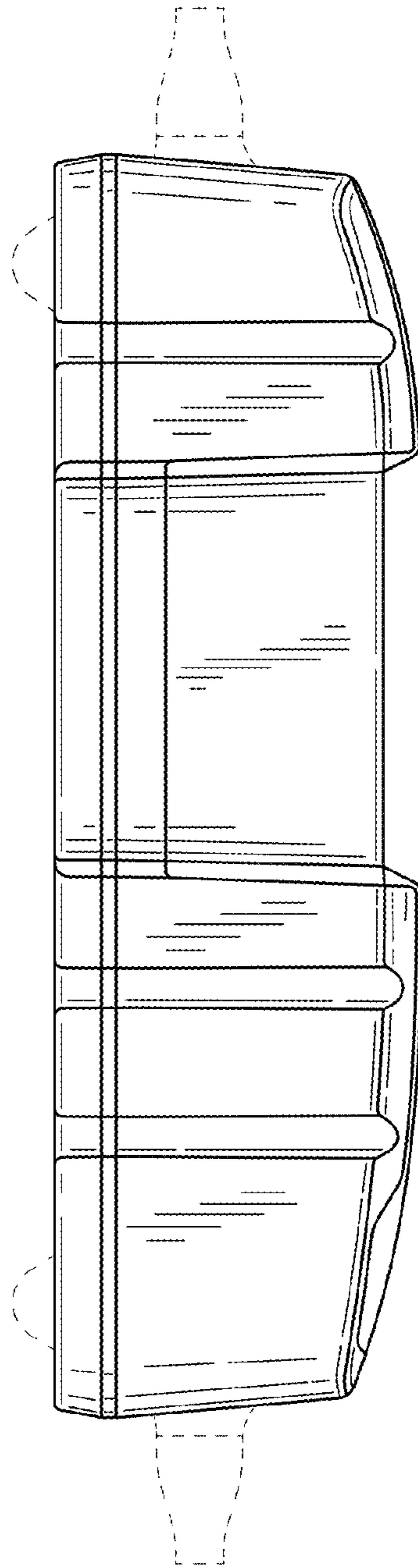


FIG. 5

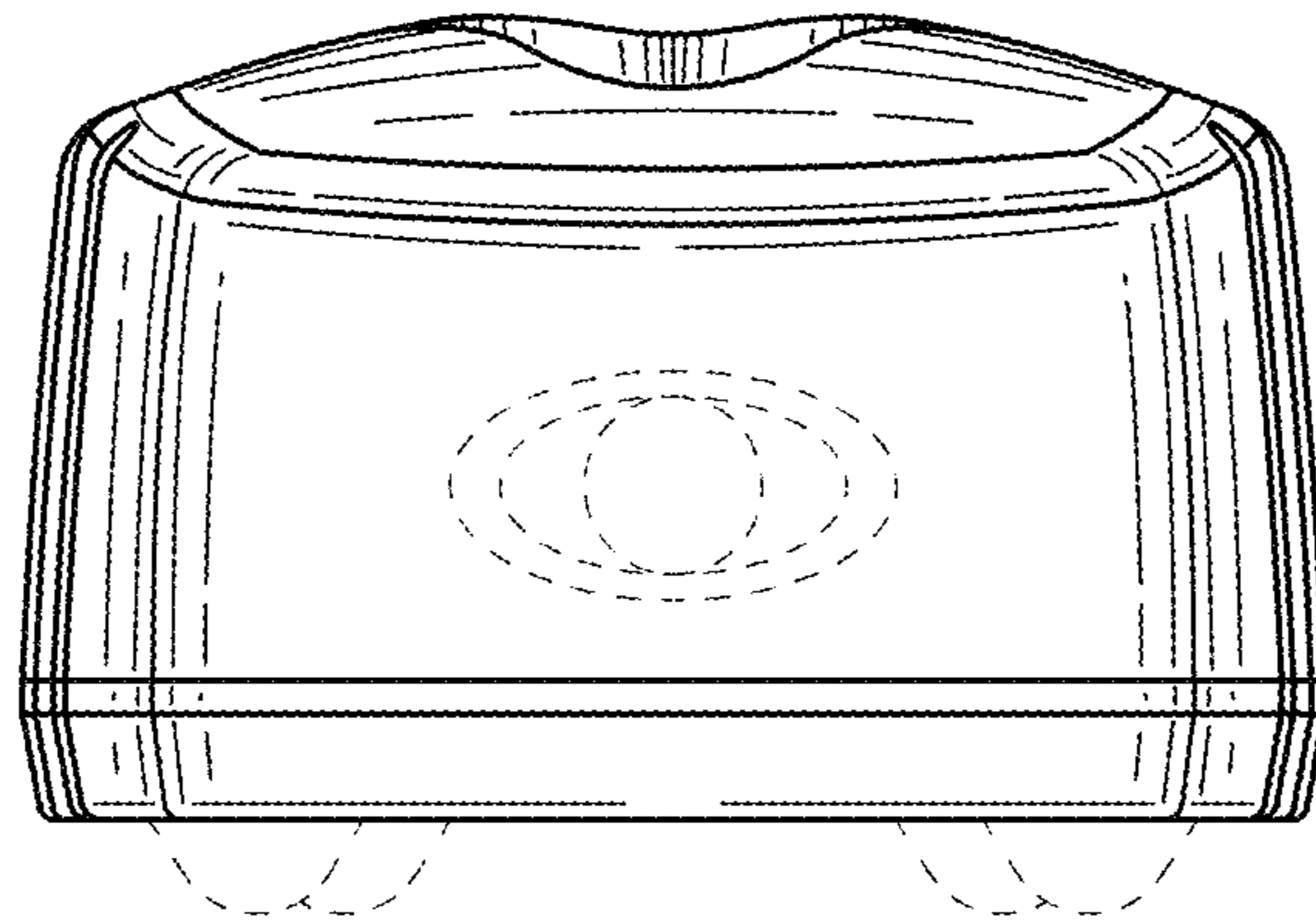


FIG. 6

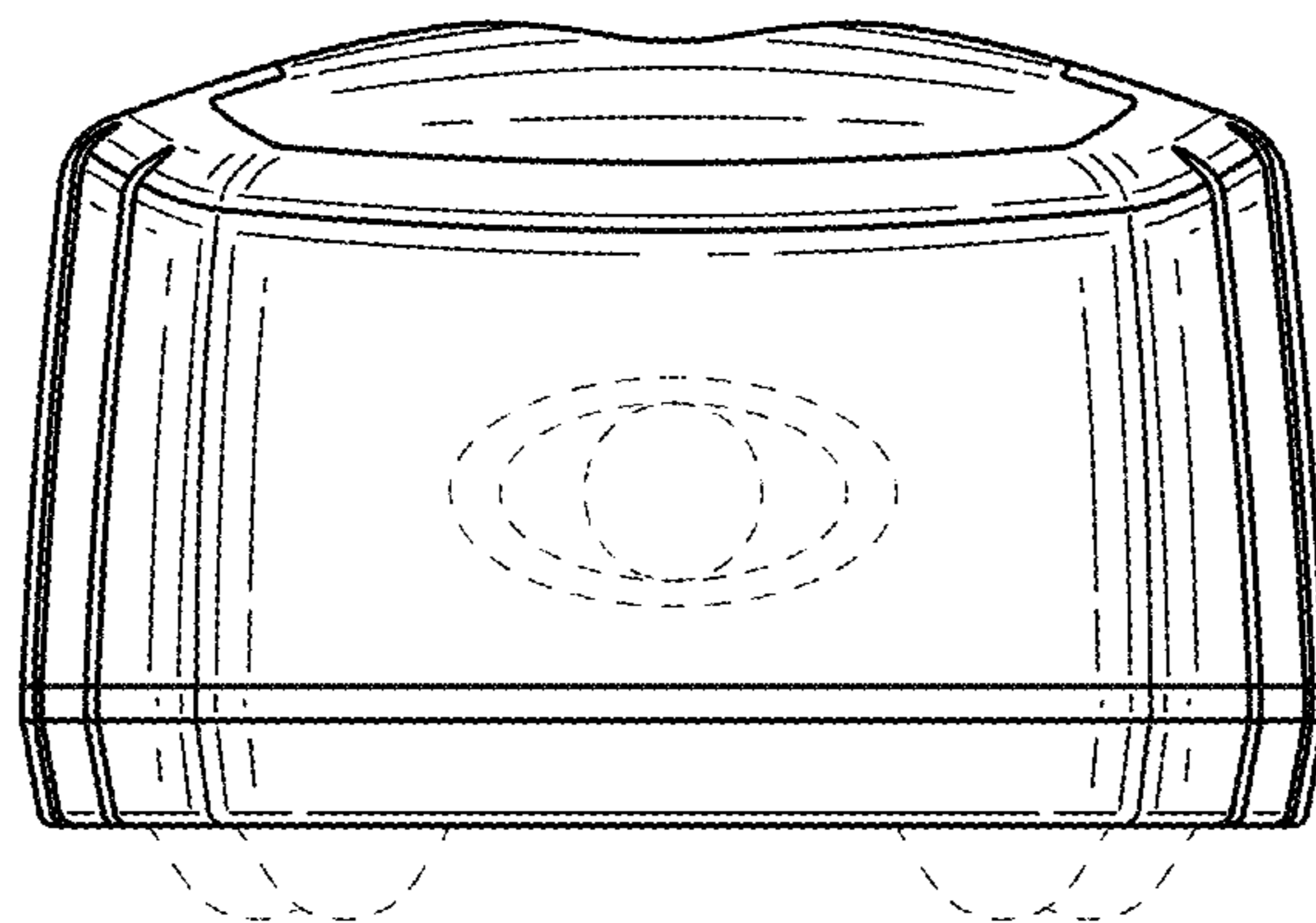


FIG. 7