

US00D696184S

(12) **United States Design Patent**
Choi

(10) **Patent No.:** **US D696,184 S**

(45) **Date of Patent:** **** Dec. 24, 2013**

(54) **TIRE**

(71) Applicant: **Hankook Tire Co., Ltd.**, Seoul (KR)

(72) Inventor: **Yoon Jin Choi**, Daejeon (KR)

(73) Assignee: **Hankook Tire Co., Ltd.** (KR)

(**) Term: **14 Years**

(21) Appl. No.: **29/455,644**

(22) Filed: **May 22, 2013**

(30) **Foreign Application Priority Data**

Dec. 3, 2012 (KR) 30-2012-0057886

(51) **LOC (9) Cl.** **12-15**

(52) **U.S. Cl.**
USPC **D12/591**

(58) **Field of Classification Search**
USPC D12/568-603, 551-556, 900-901;
152/209.1-209.9, 209.11-209.19,
152/209.21-209.28, 455

See application file for complete search history.

(56) **References Cited**

U.S. PATENT DOCUMENTS

D409,958 S *	5/1999	Gerresheim et al.	D12/591
D429,189 S *	8/2000	Boznar et al.	D12/591
D506,179 S *	6/2005	Iga et al.	D12/591
D580,348 S *	11/2008	Fontaine et al.	D12/591
D587,189 S *	2/2009	Hata et al.	D12/591
D675,978 S *	2/2013	Kuniak	D12/591

* cited by examiner

Primary Examiner — Stacia Cadmus

(74) *Attorney, Agent, or Firm* — Renaissance IP Law Group LLP

(57) **CLAIM**

The ornamental design for a tire, as shown and described.

DESCRIPTION

FIG. 1 is a perspective view of a tire showing my new design; FIG. 2 is a front view thereof; FIG. 3 is a rear view thereof; FIG. 4 is a left-side view thereof, the right side being a mirror image; FIG. 5 is a top plan view thereof, the bottom plan view being an identical image; and, FIG. 6 is an enlarged partial view between the lines A-A and A'-A' in FIG. 2.

1 Claim, 6 Drawing Sheets

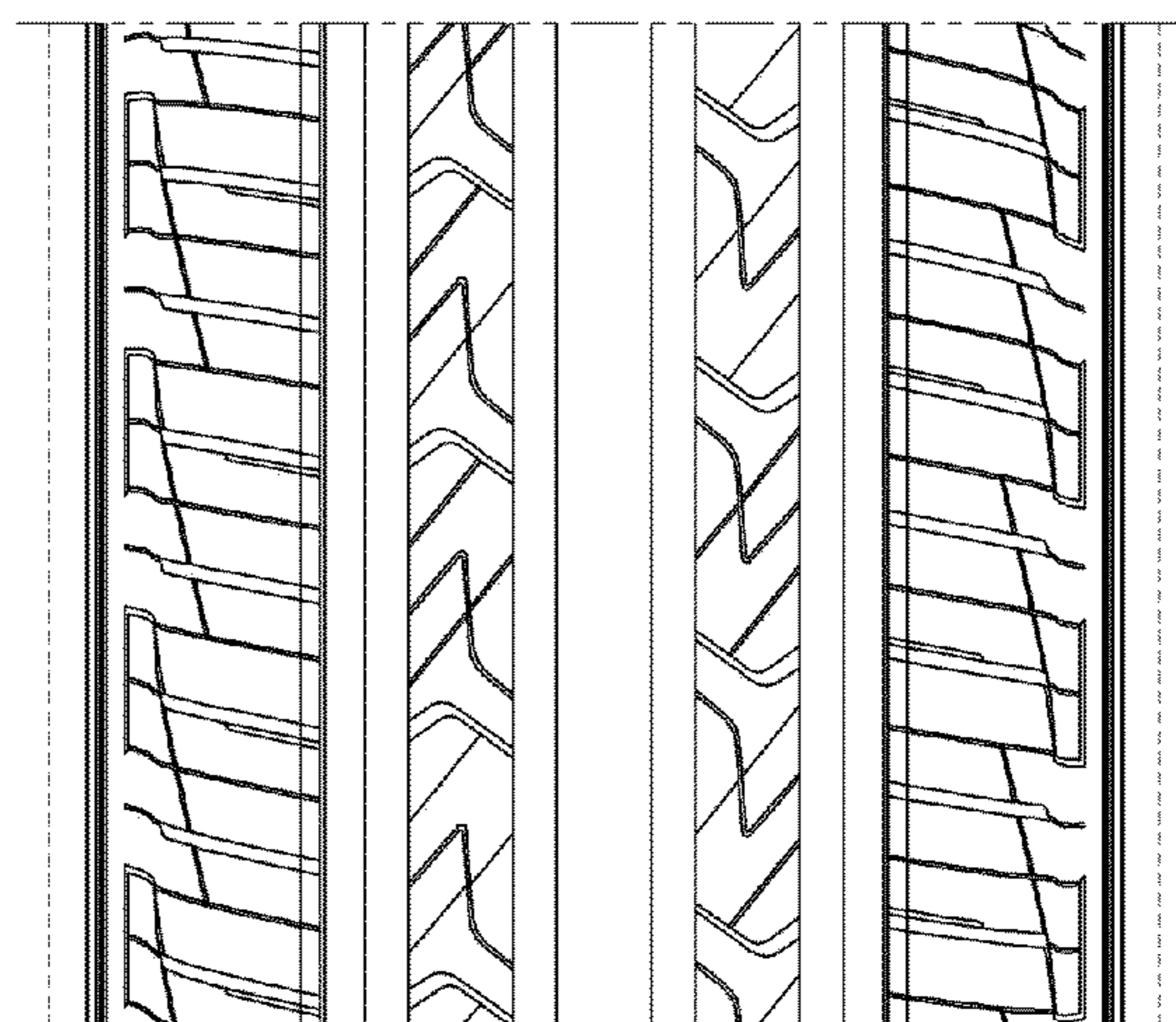
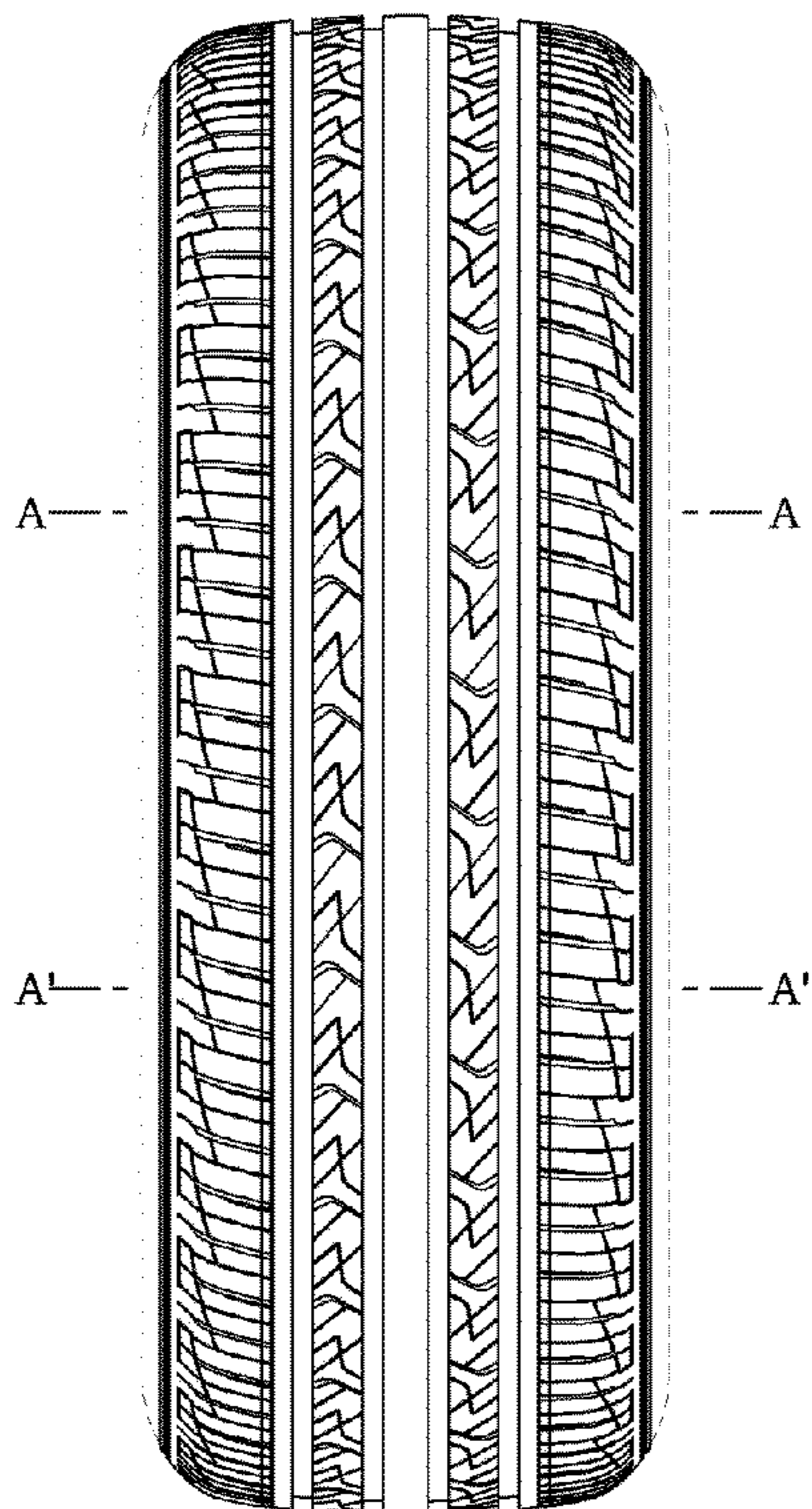


FIG. 1

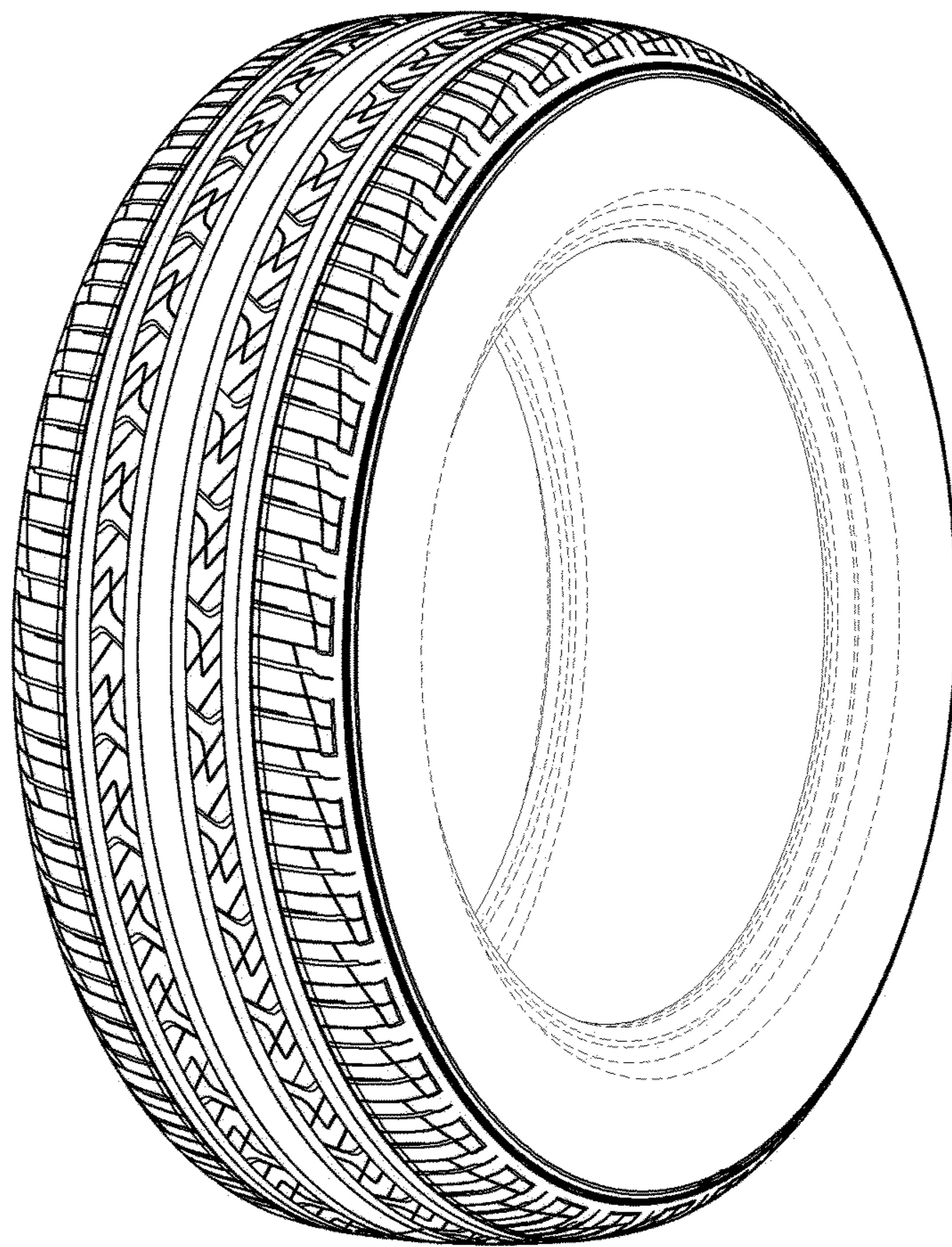


FIG. 2

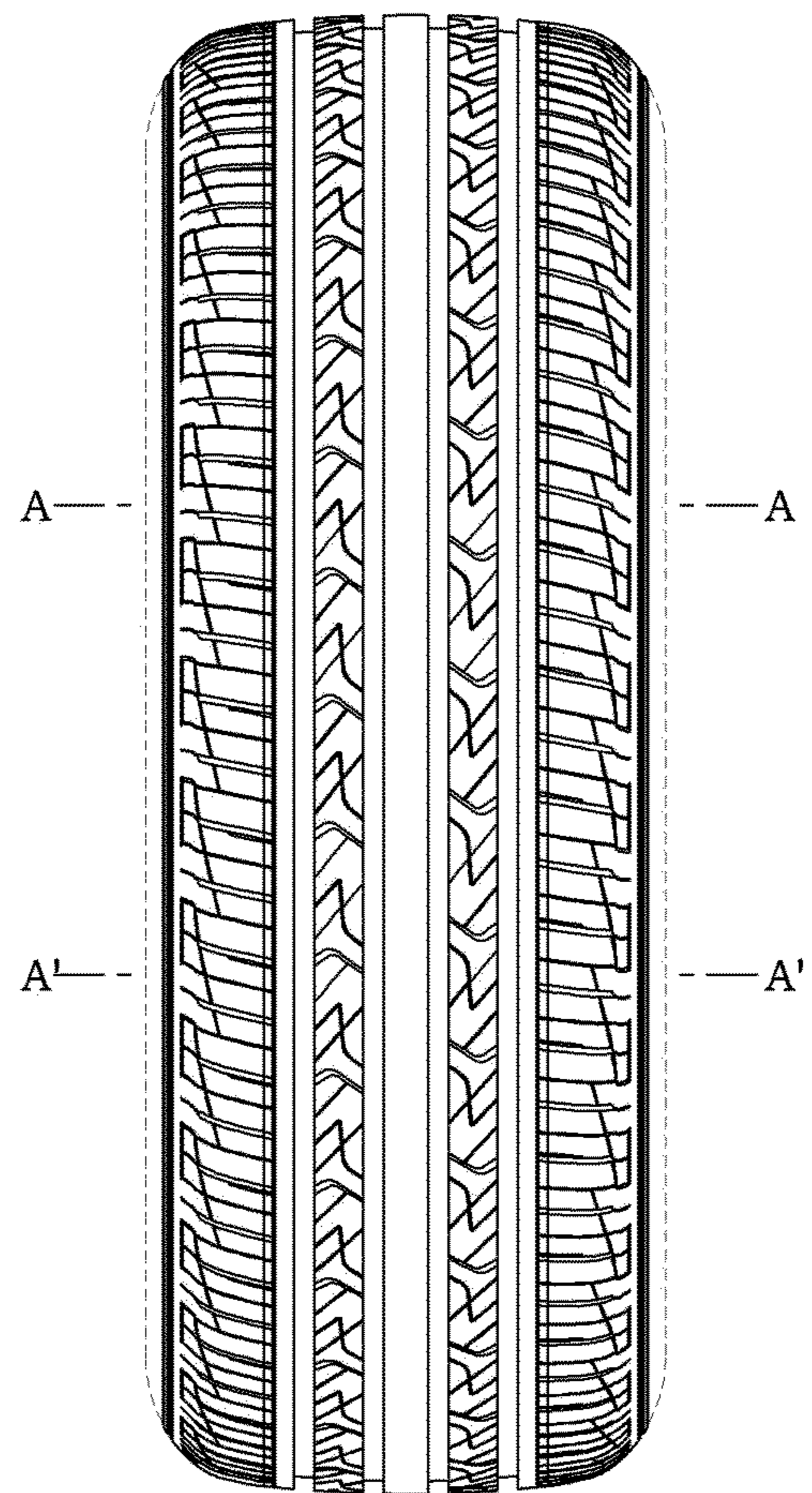


FIG. 3

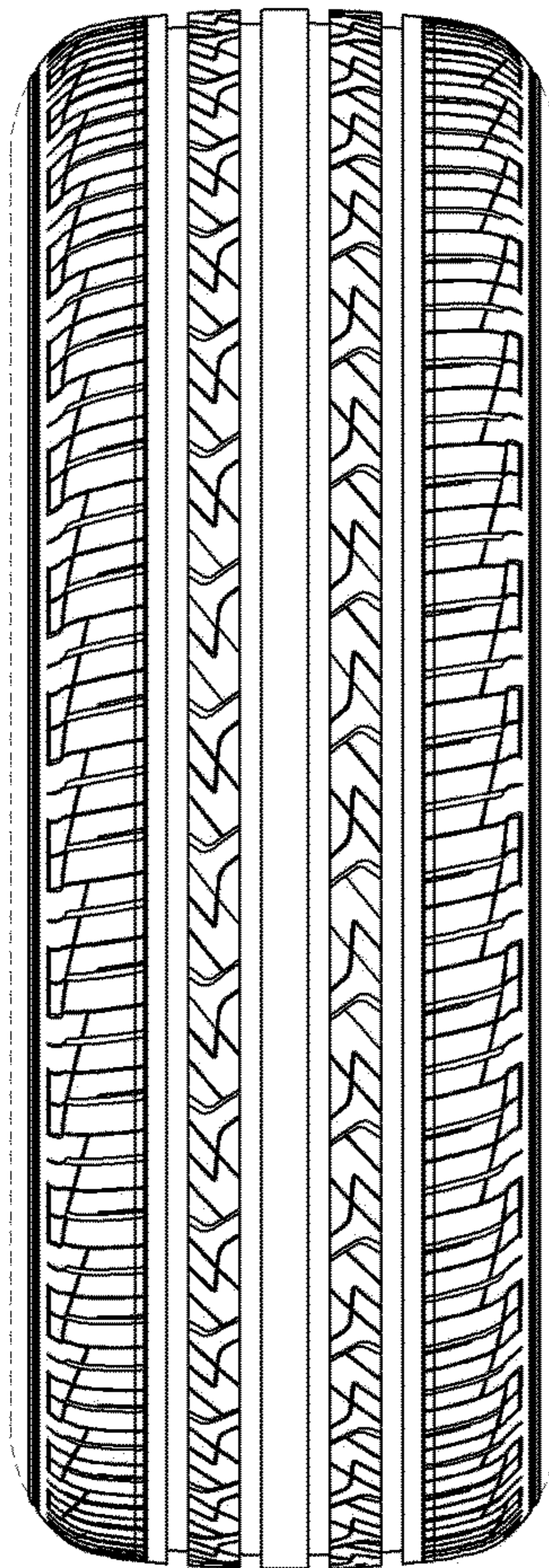


FIG. 4

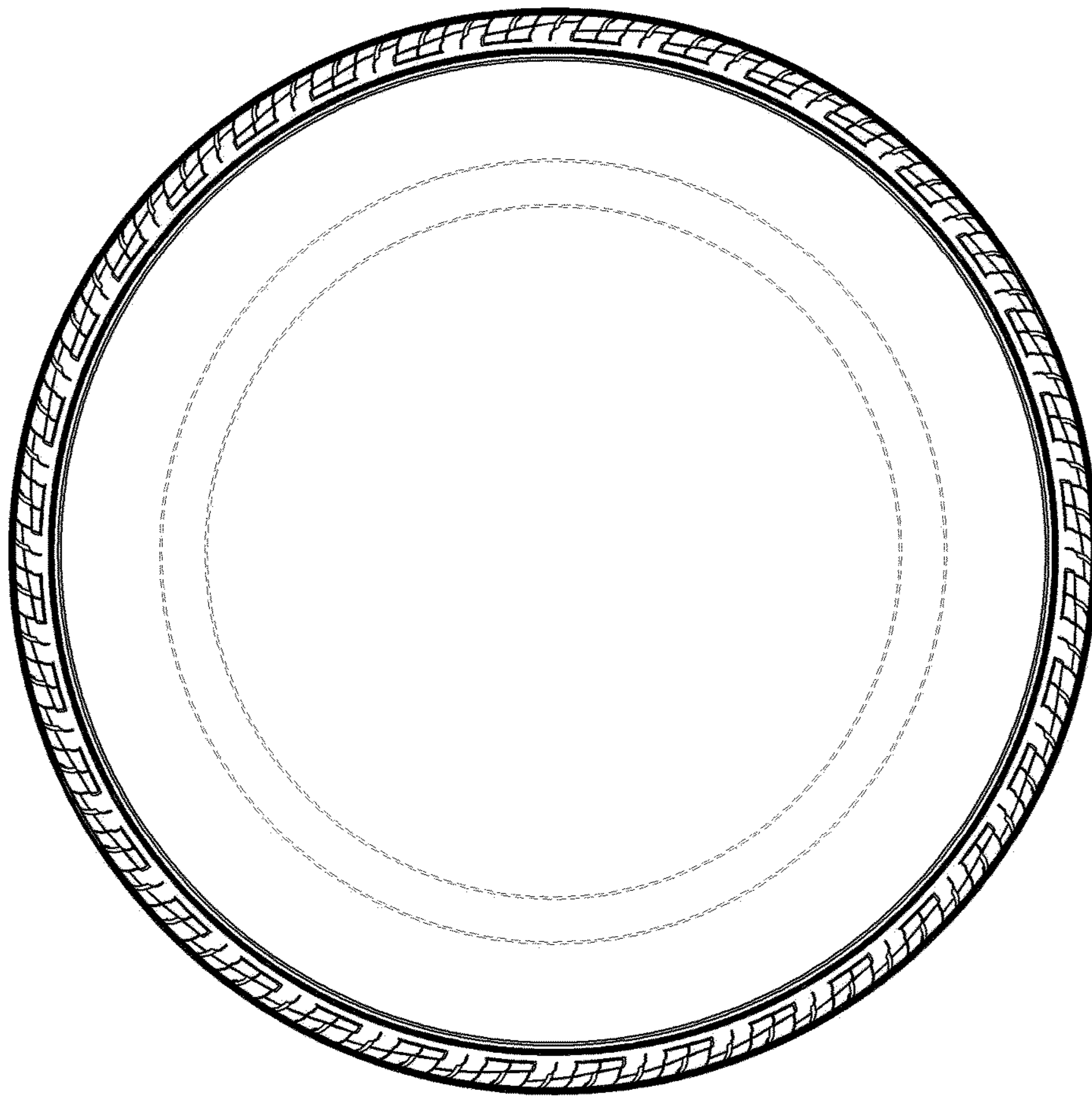


FIG. 5

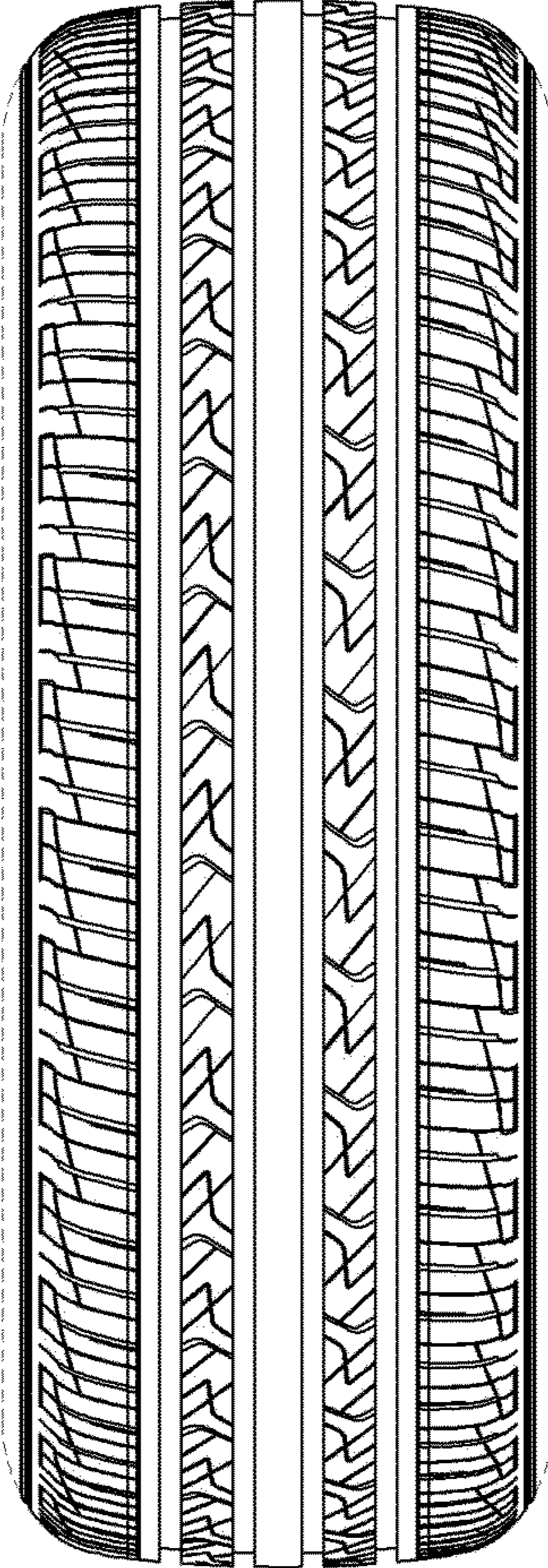


FIG. 6

