



US00D696183S

(12) **United States Design Patent**
Yasunaga

(10) **Patent No.:** **US D696,183 S**

(45) **Date of Patent:** **** Dec. 24, 2013**

(54) **TIRE**

(71) Applicant: **Toyo Tire & Rubber Co., Ltd.**, Osaka (JP)

(72) Inventor: **Toshikazu Yasunaga**, Osaka (JP)

(73) Assignee: **Toyo Tire & Rubber Co., Ltd.**, Osaka (JP)

(**) Term: **14 Years**

(21) Appl. No.: **29/456,558**

(22) Filed: **May 31, 2013**

(30) **Foreign Application Priority Data**

Apr. 17, 2013 (JP) 2013-008643

(51) **LOC (9) Cl.** **12-15**

(52) **U.S. Cl.**
USPC **D12/550**

(58) **Field of Classification Search**
USPC D12/533-567, 900-901, 585;
152/209.1-209.9, 209.11-209.19,
152/209.21-209.28, 455
See application file for complete search history.

(56) **References Cited**

U.S. PATENT DOCUMENTS

D379,443 S * 5/1997 Arendt et al. D12/550
D396,674 S * 8/1998 Lissan et al. D12/550
D490,362 S * 5/2004 Salvan et al. D12/550

D491,518 S 6/2004 Miyabe et al.
D582,840 S * 12/2008 Bombardier et al. D12/550
D614,565 S * 4/2010 Bombardier et al. D12/550
D655,670 S * 3/2012 Zhao D12/550

FOREIGN PATENT DOCUMENTS

JP 955670 6/1996
JP D1381777 3/2010

* cited by examiner

Primary Examiner — Stacia Cadmus

(74) *Attorney, Agent, or Firm* — Sterne, Kessler, Goldstein & Fox PLLC

(57) **CLAIM**

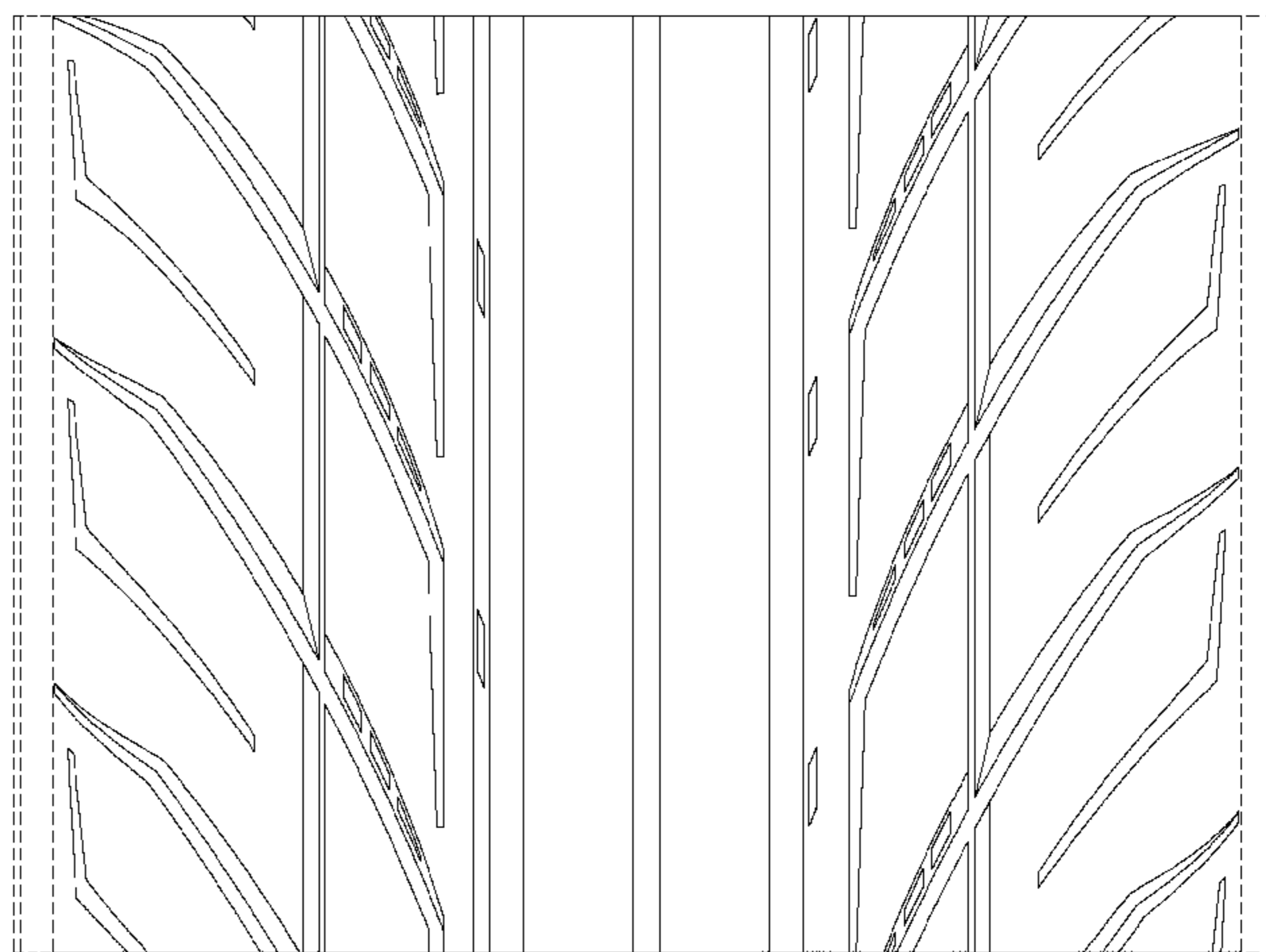
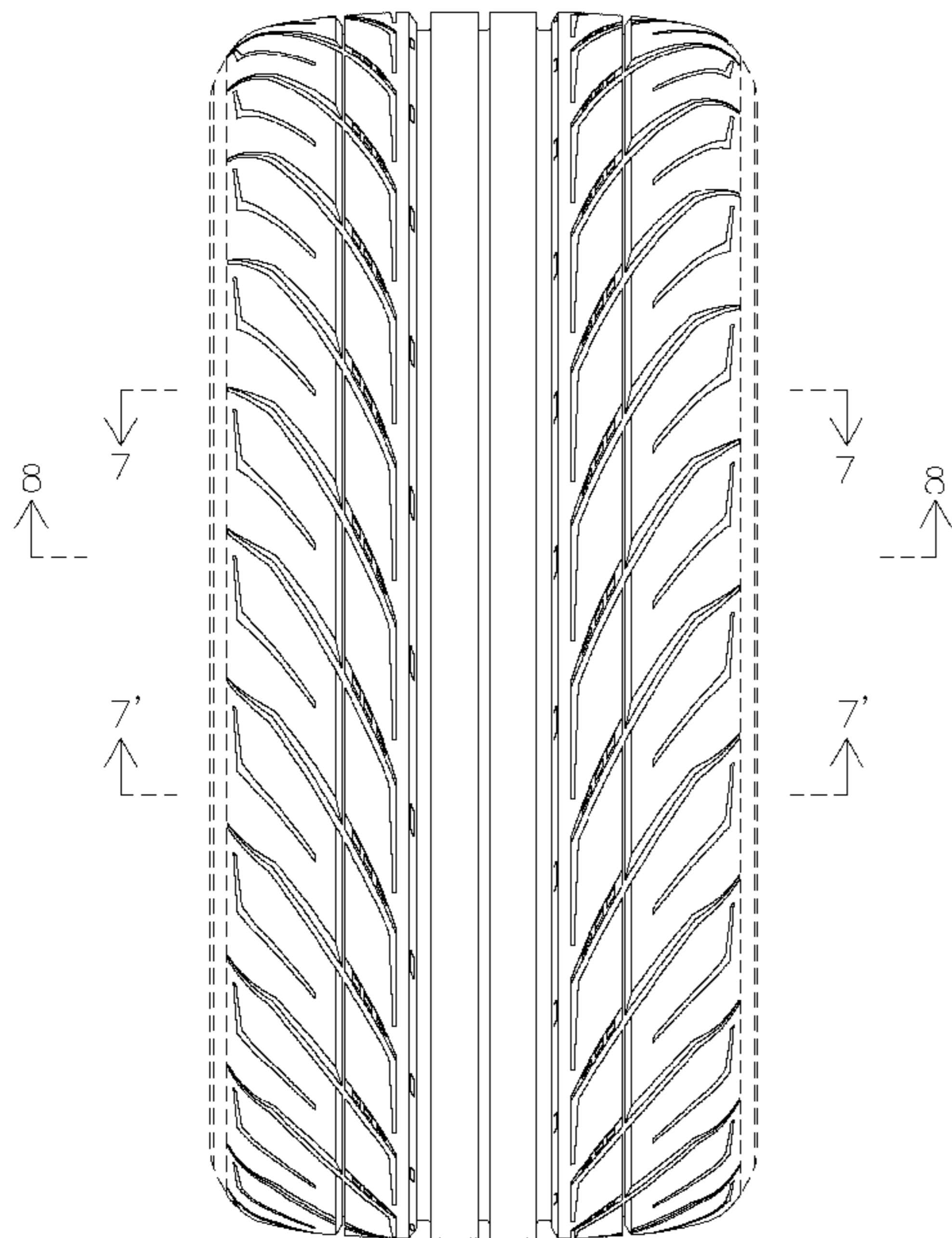
The ornamental design for a tire, as shown and described.

DESCRIPTION

FIG. 1 is a perspective view of a tire showing my new design; FIG. 2 is a front view thereof; FIG. 3 is a rear view thereof; FIG. 4 is a top plan view thereof, for which the bottom plan view is the same; FIG. 5 is a right side view thereof; FIG. 6 is a left side view thereof; FIG. 7 is an enlarged view taken along lines 7-7 and 7'-7' in FIG. 2; and, FIG. 8 is an enlarged cross-sectional view taken along line 8-8 in FIG. 2 and line 8'-8' in FIG. 5.

In the drawings, the broken lines showing portions of the sidewall and inner bead depict portions of the tire which form no part of the claimed design.

1 Claim, 8 Drawing Sheets



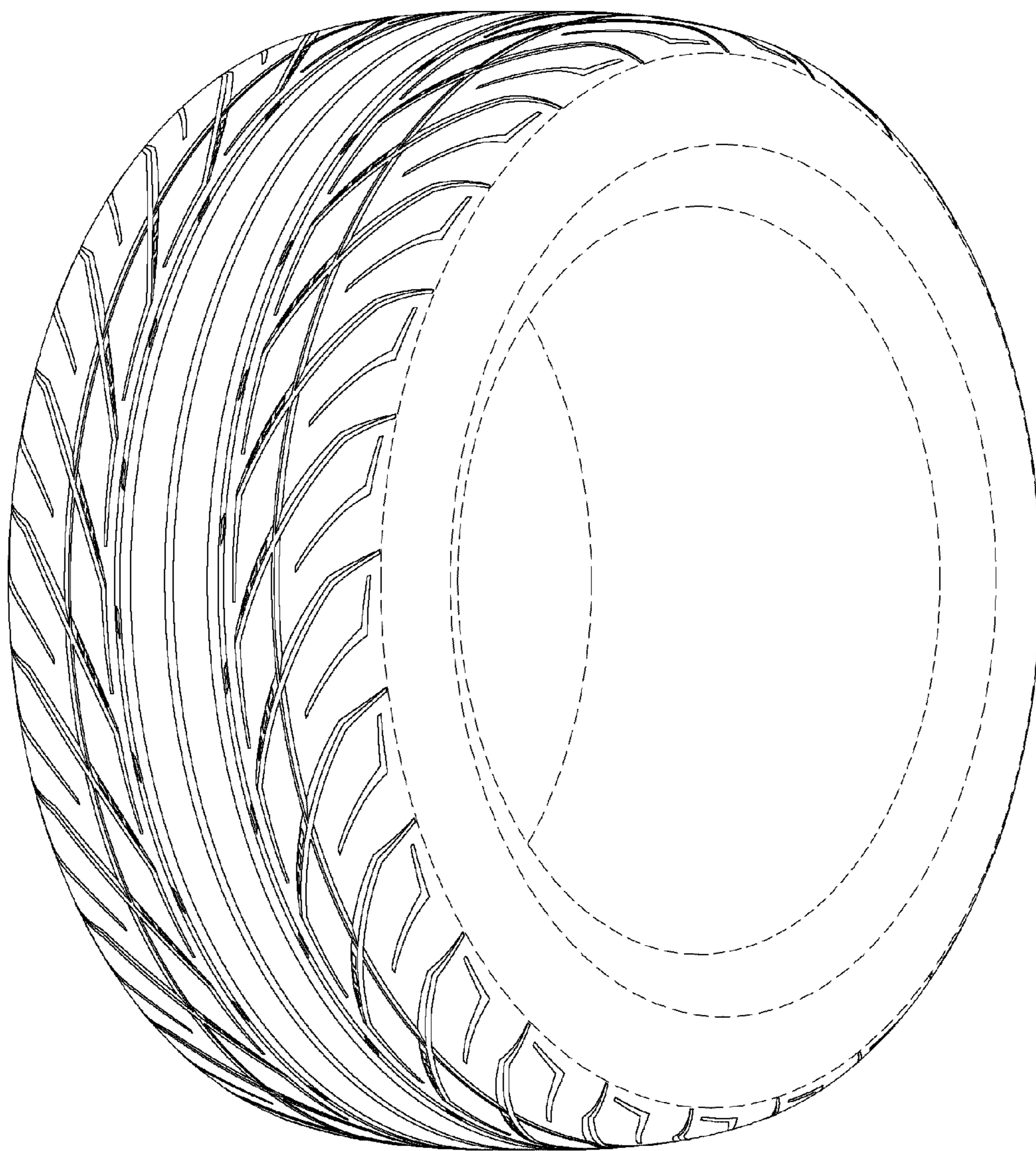


FIG. 1

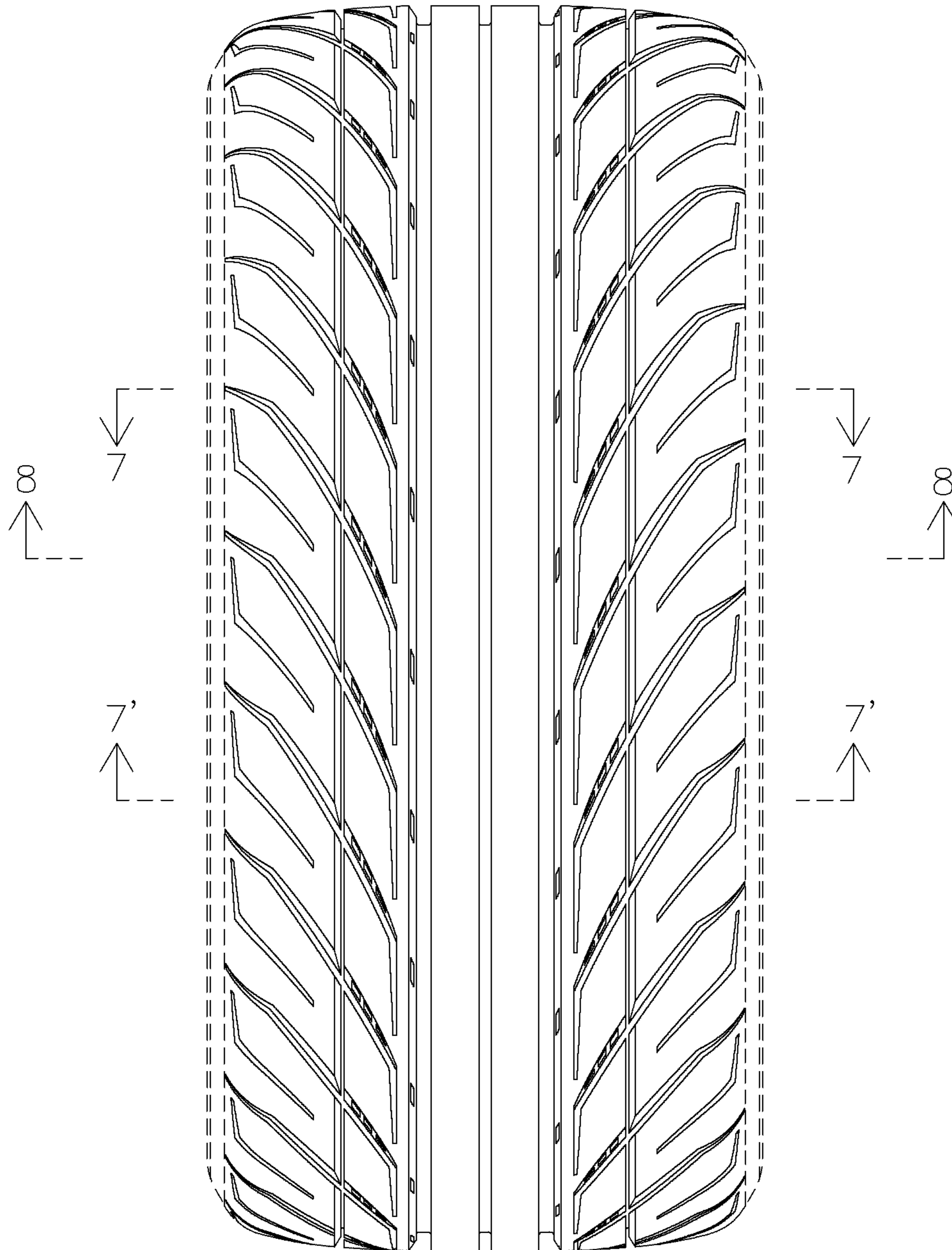


FIG. 2

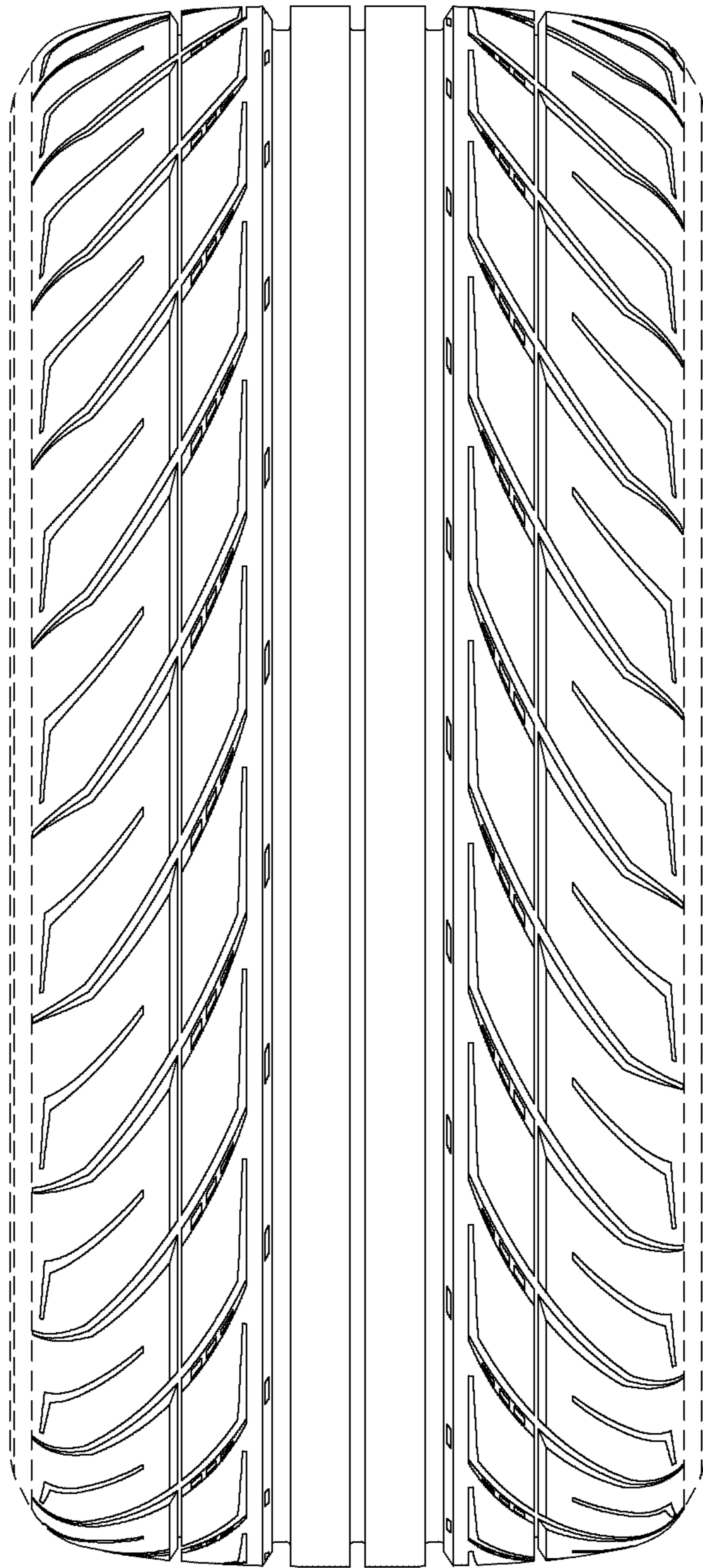


FIG. 3

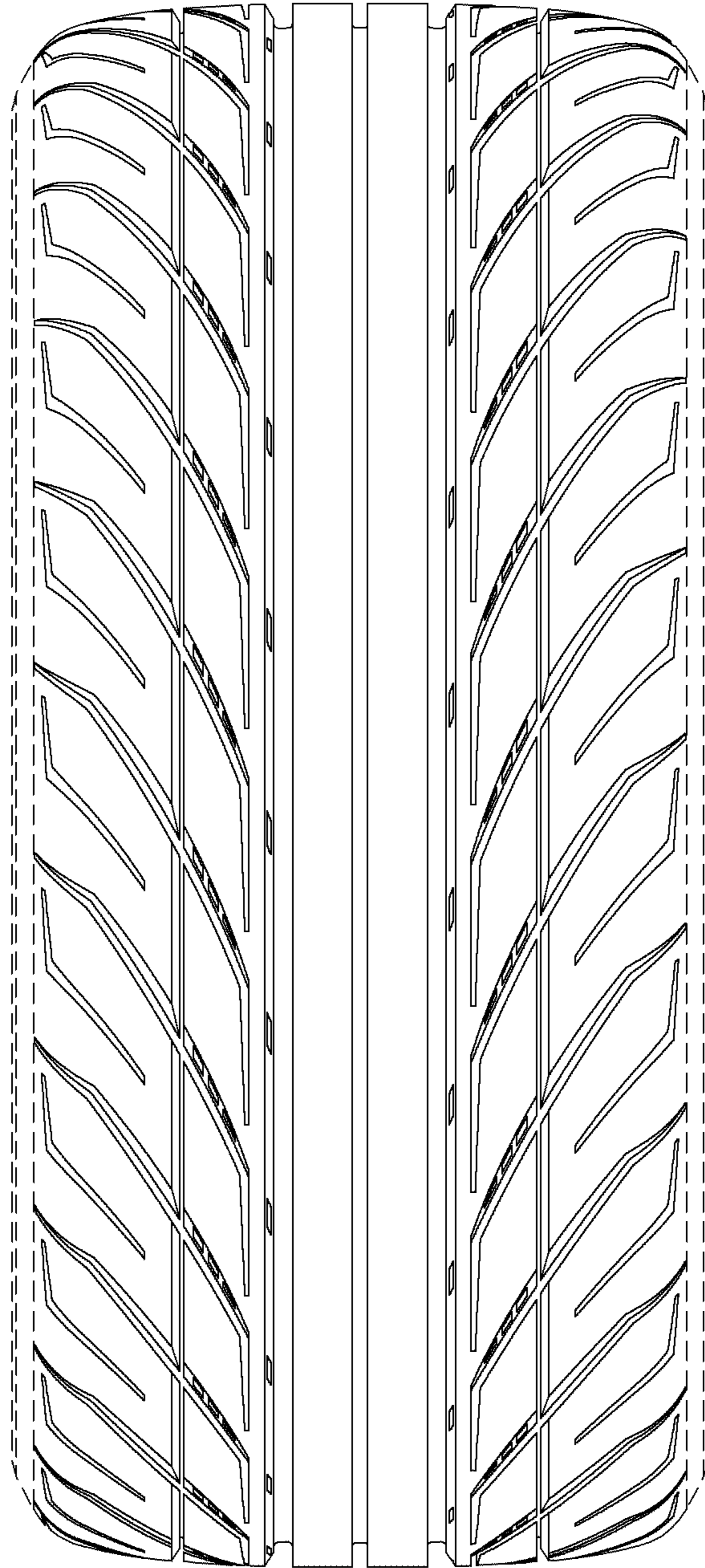


FIG. 4

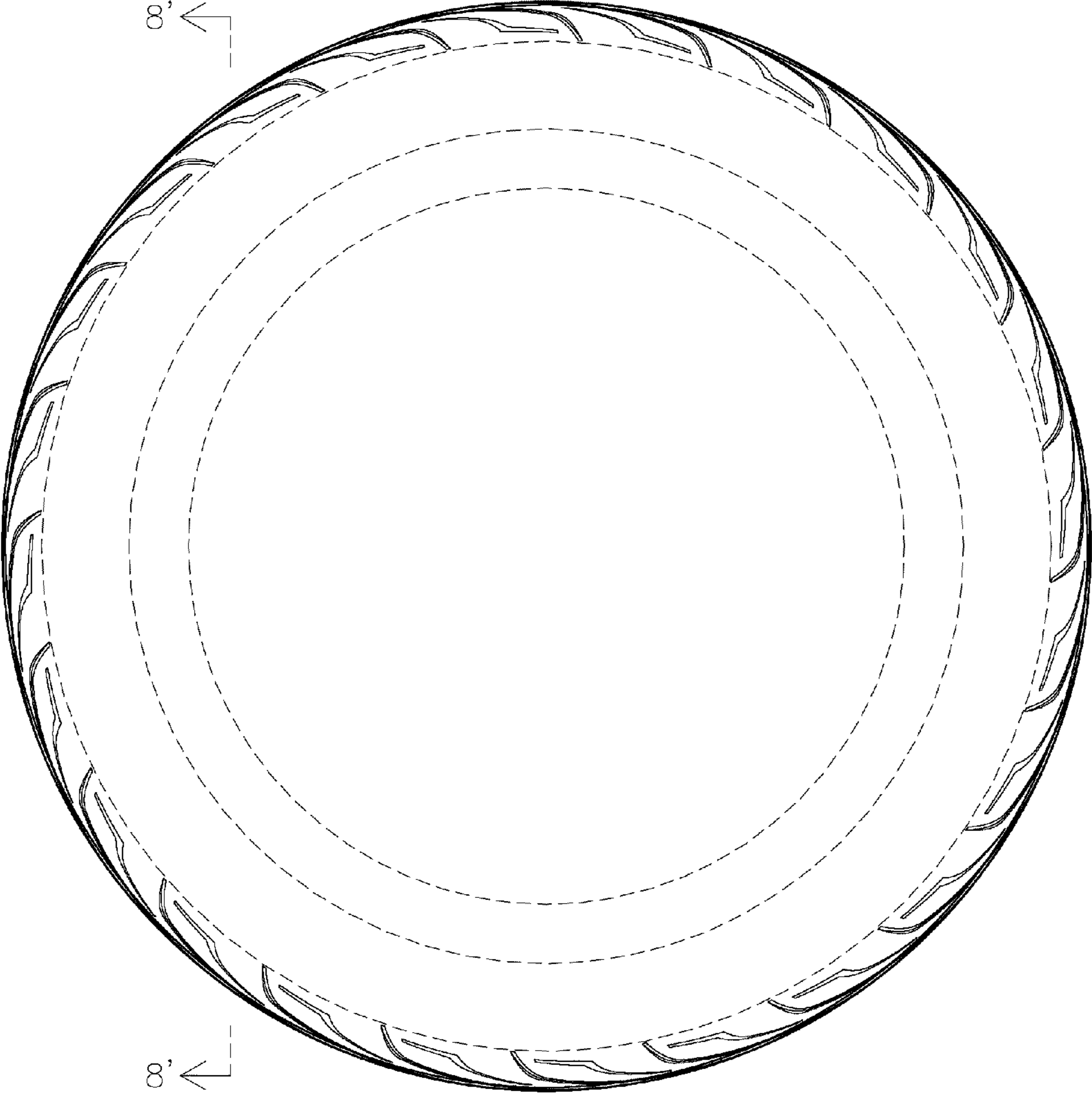


FIG. 5

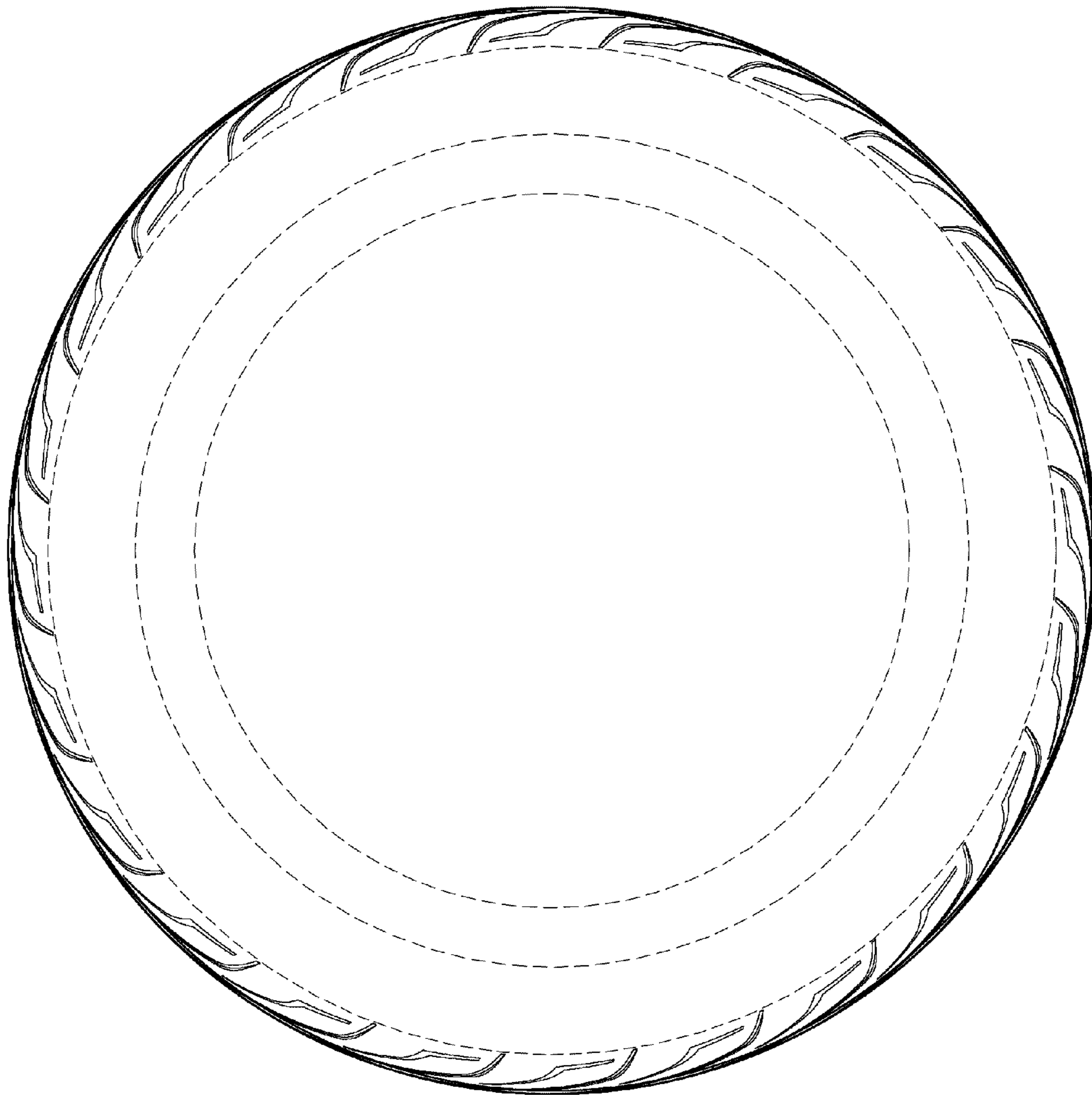


FIG. 6

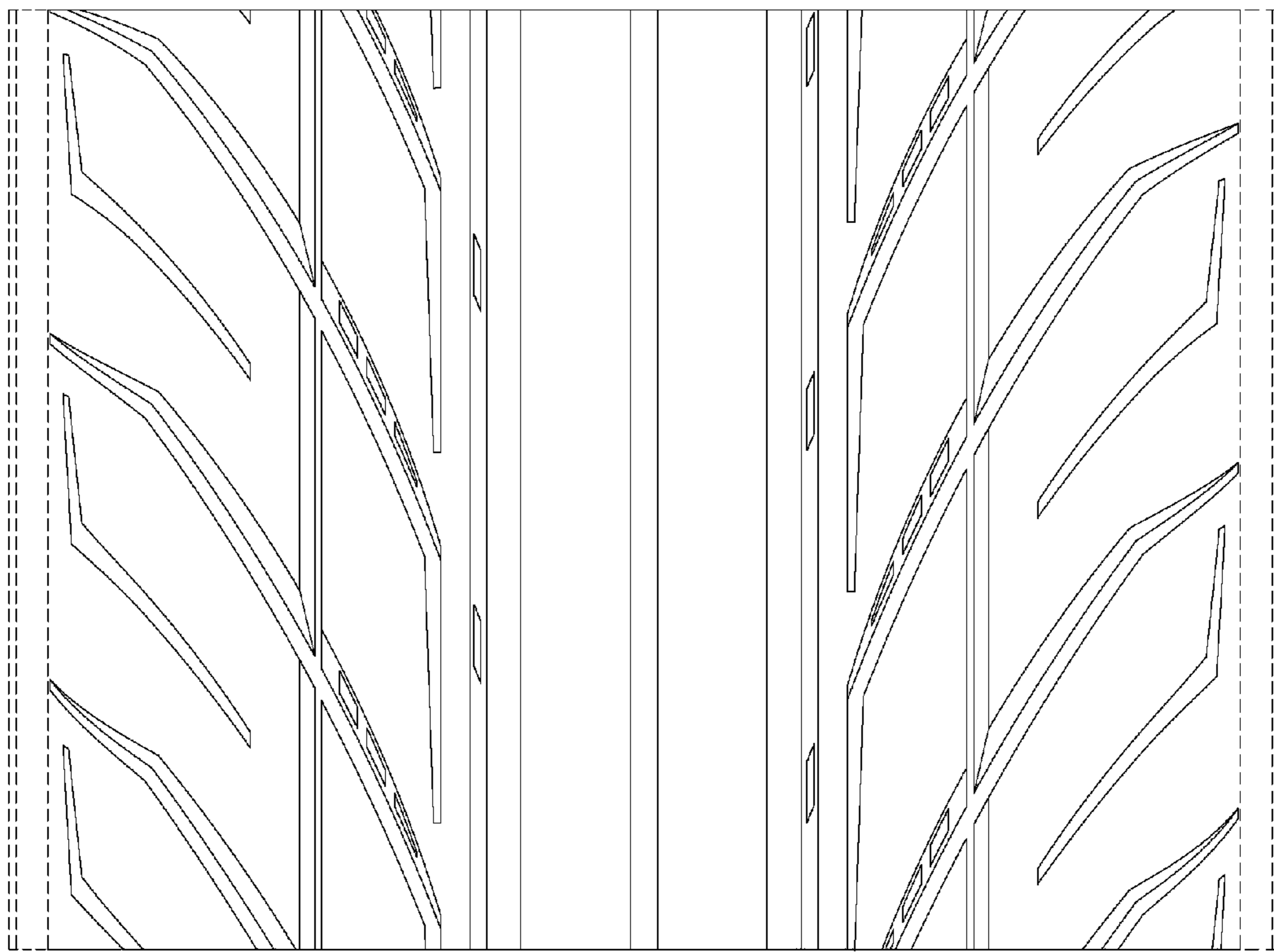


FIG. 7

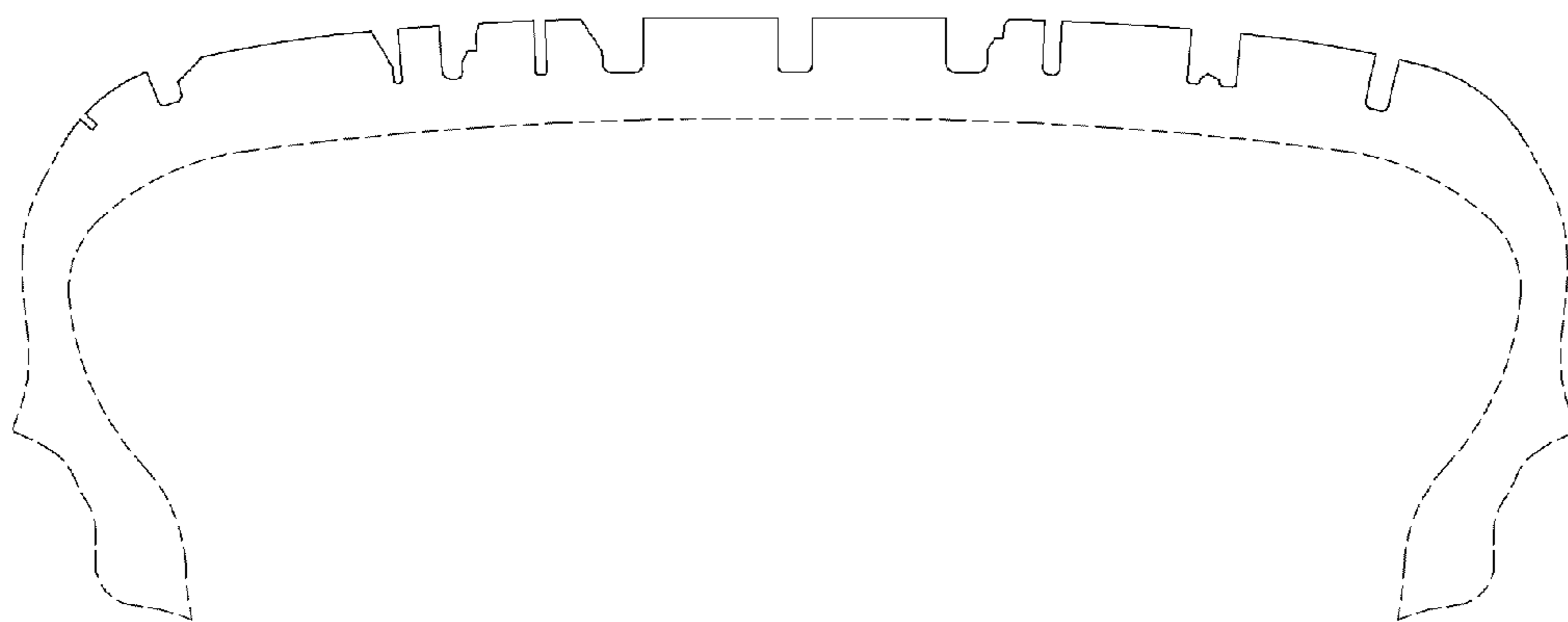


FIG. 8

UNITED STATES PATENT AND TRADEMARK OFFICE
CERTIFICATE OF CORRECTION

PATENT NO. : D696,183 S
APPLICATION NO. : 29/456558
DATED : December 24, 2013
INVENTOR(S) : Yasunaga et al.

Page 1 of 1

It is certified that error appears in the above-identified patent and that said Letters Patent is hereby corrected as shown below:

Title Page, Item (12) delete “Yasunaga” and insert --Yasunaga et al.--.

Title Page, Item (75) Inventors, delete “Toshikazu YASUNAGA, Osaka-shi (JP)”

and insert --Toshikazu YASUNAGA, Osaka-shi (JP); Yoshiki SATO, Osaka-shi (JP)--.

Signed and Sealed this
Twenty-fourth Day of November, 2015



Michelle K. Lee
Director of the United States Patent and Trademark Office