



US00D696182S

(12) **United States Design Patent**
Sakamoto

(10) **Patent No.:** **US D696,182 S**

(45) **Date of Patent:** **** Dec. 24, 2013**

(54) **AUTOMOBILE TIRE**

(71) Applicant: **The Yokohama Rubber Co., Ltd.**,
Tokyo (JP)

(72) Inventor: **Yousuke Sakamoto**, Hiratsuka (JP)

(73) Assignee: **The Yokohama Rubber Co., Ltd.** (JP)

(**) Term: **14 Years**

(21) Appl. No.: **29/457,221**

(22) Filed: **Jun. 7, 2013**

(30) **Foreign Application Priority Data**

Dec. 7, 2012 (JP) 2012-030084

(51) **LOC (9) Cl.** **12-15**

(52) **U.S. Cl.**
USPC **D12/519**

(58) **Field of Classification Search**
USPC D12/505-532, 900-901;
152/209.1-209.9, 209.11-209.19,
152/209.21-209.28, 455
See application file for complete search history.

(56) **References Cited**

U.S. PATENT DOCUMENTS

D584,213 S * 1/2009 Shinkai D12/519
D585,813 S * 2/2009 Lee D12/519

D637,546 S * 5/2011 Yonetsu D12/519
D650,322 S * 12/2011 Takahashi D12/519
D654,848 S * 2/2012 Yonetsu D12/519
D660,222 S * 5/2012 Kim et al. D12/519
D666,964 S * 9/2012 Ishida et al. D12/519

* cited by examiner

Primary Examiner — Stacia Cadmus

(74) *Attorney, Agent, or Firm* — Banner & Witcoff, Ltd.

(57) **CLAIM**

The ornamental design for an automobile tire, as shown and described.

DESCRIPTION

FIG. 1 is a perspective view of an automobile tire showing my new design;

FIG. 2 is a front view thereof;

FIG. 3 is a rear view thereof;

FIG. 4 is a left side view thereof;

FIG. 5 is a right side view thereof;

FIG. 6 is a top plan view thereof;

FIG. 7 is a bottom view thereof;

FIG. 8 is an enlarged view of a portion defined by lines X-X shown in FIG. 2; and,

FIG. 9 is a sectional view taken along lines A-A shown in FIG. 8.

The broken lines shown are included for the purpose of illustrating the unclaimed portions of the automobile tire and form no part of the claimed design.

1 Claim, 9 Drawing Sheets

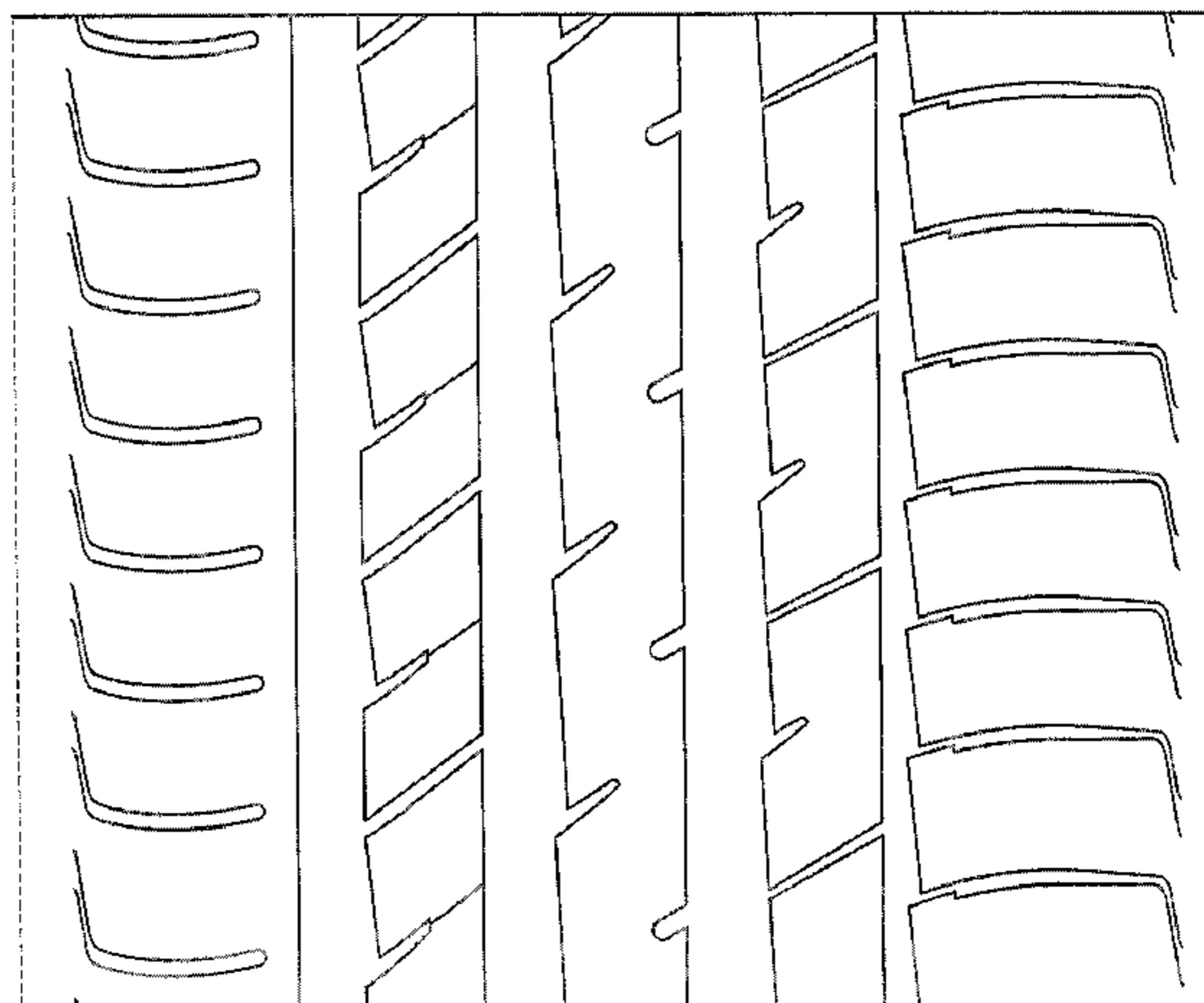
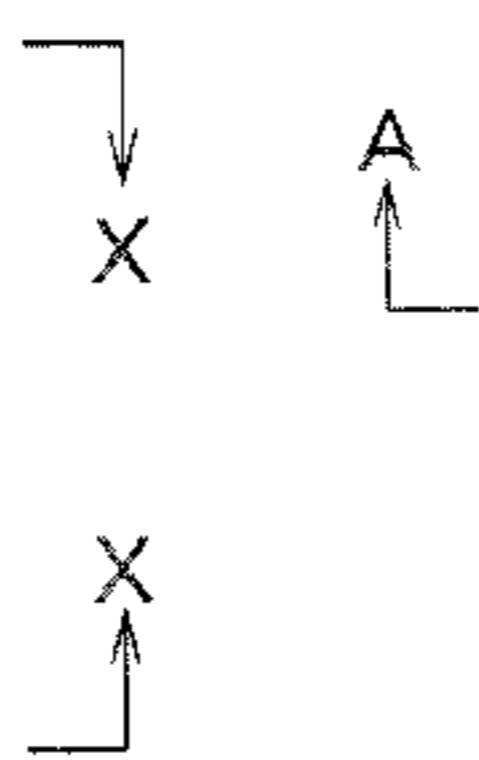
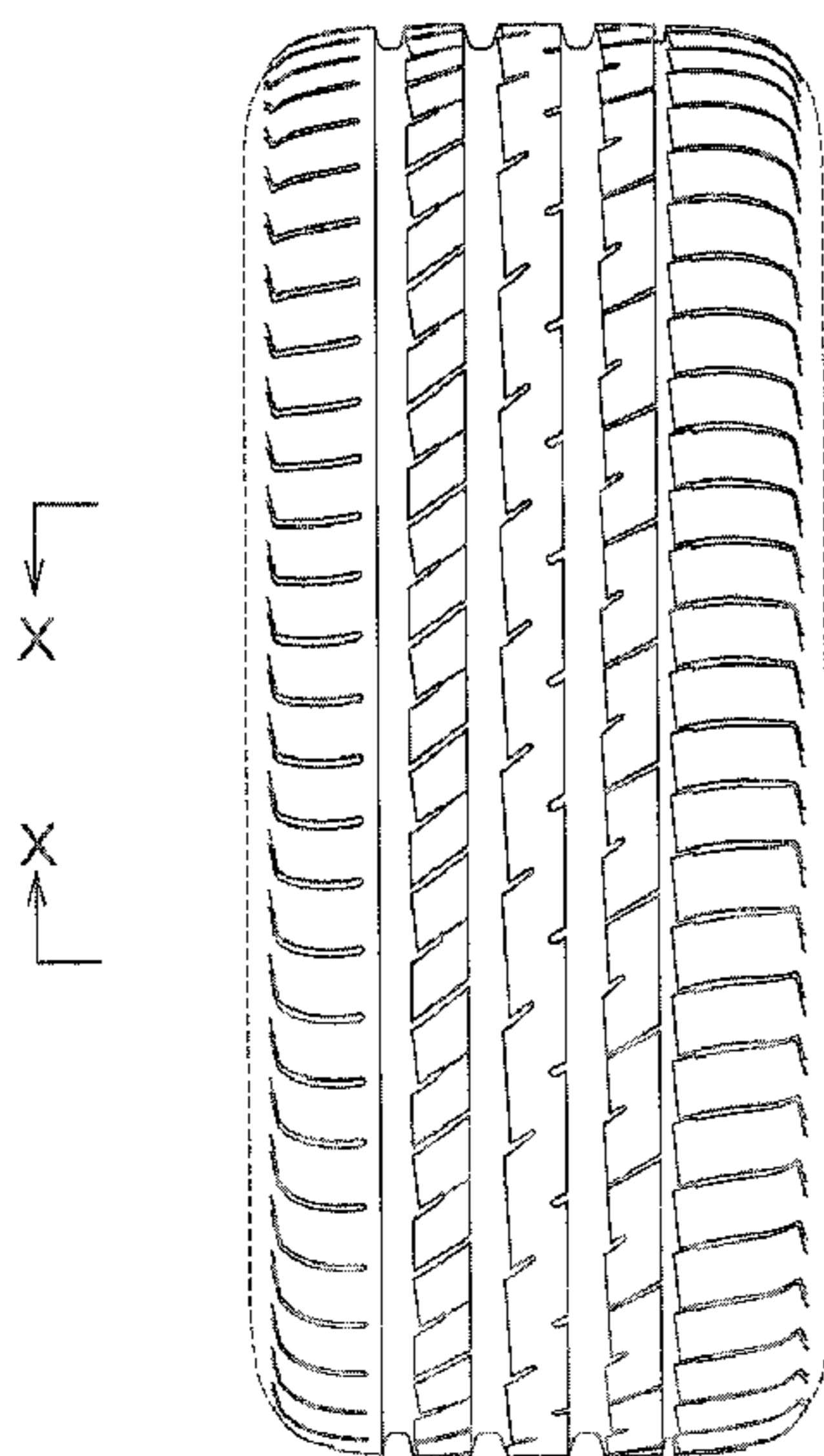


FIG. 1

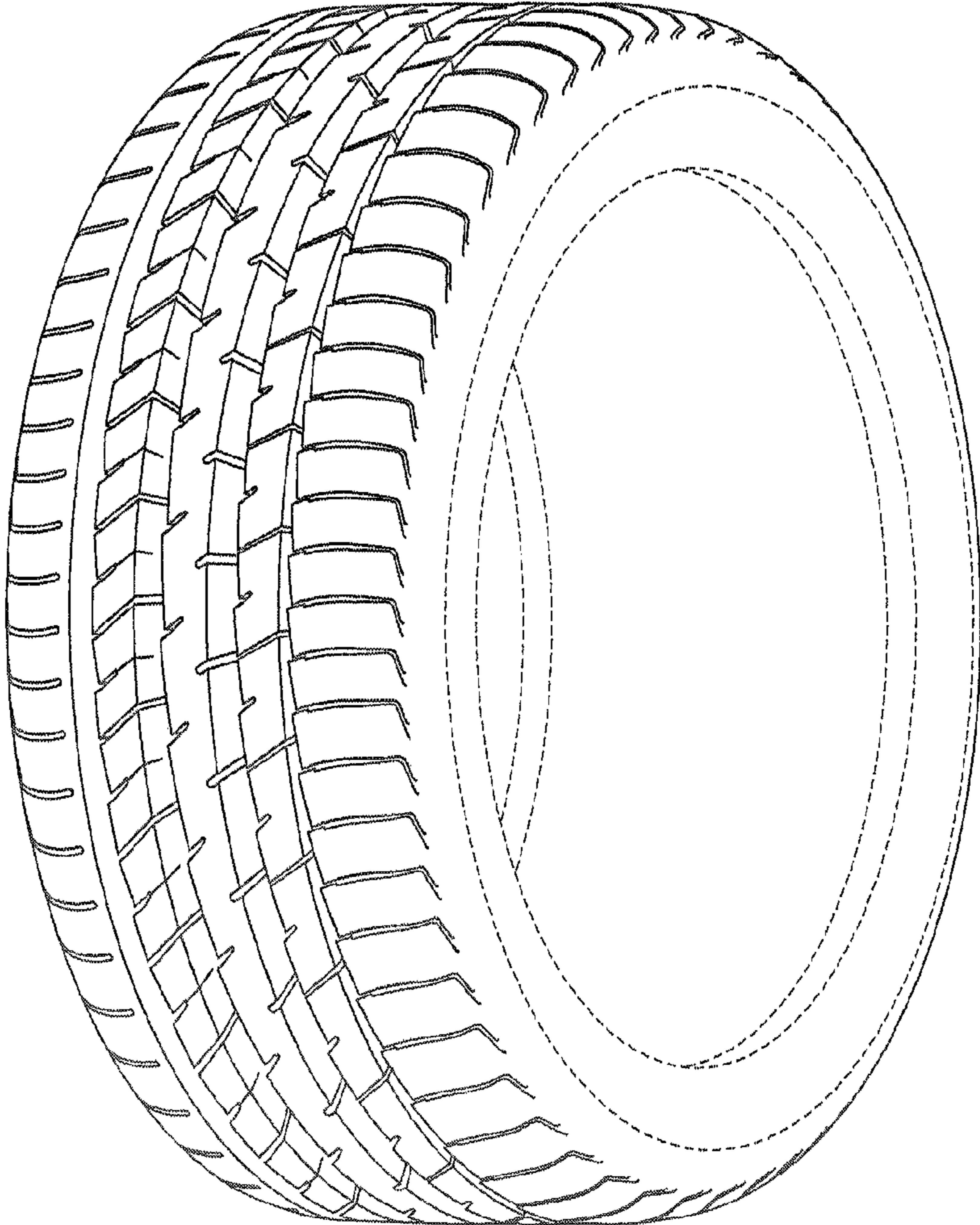


FIG. 2

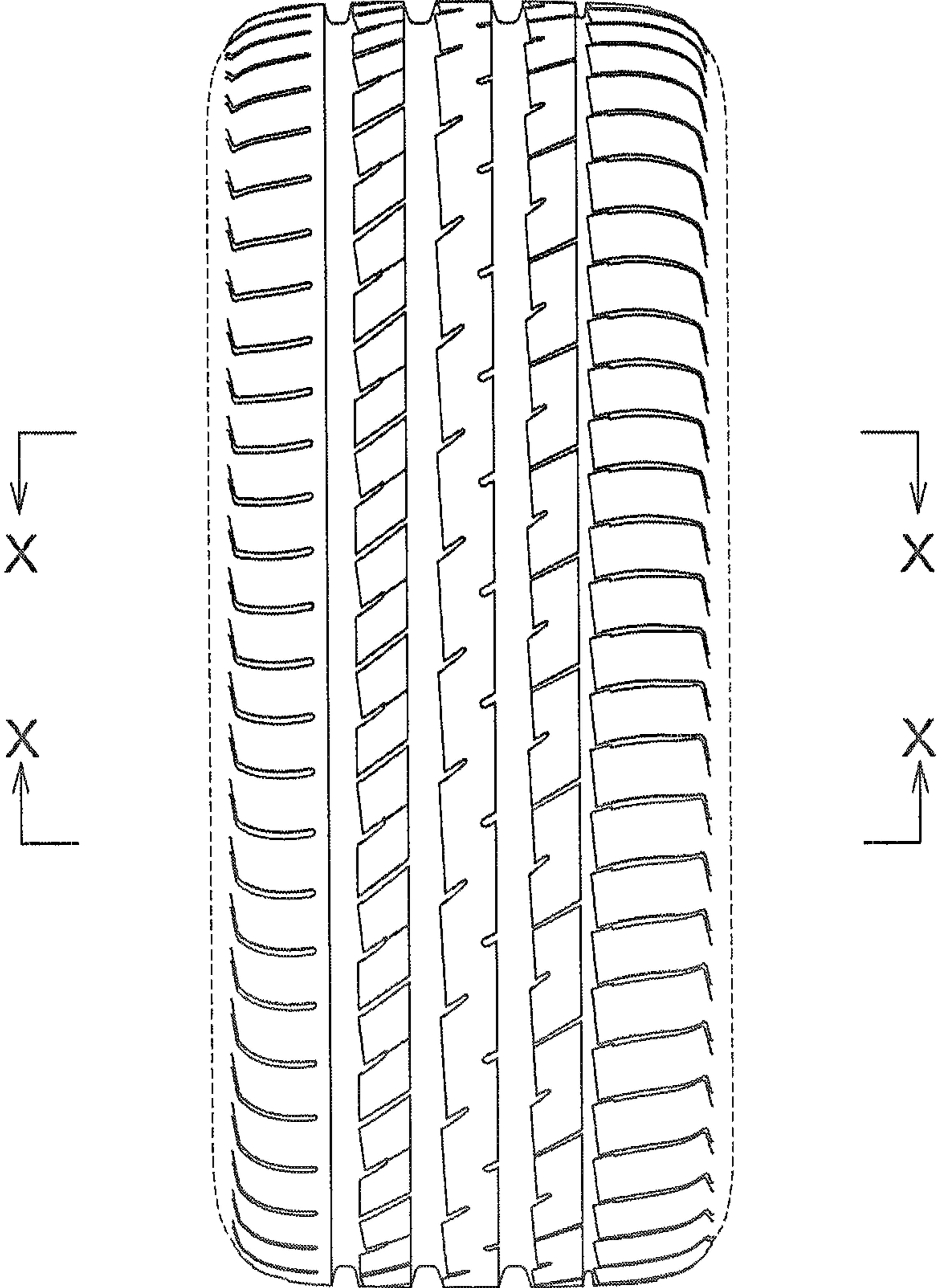


FIG. 3

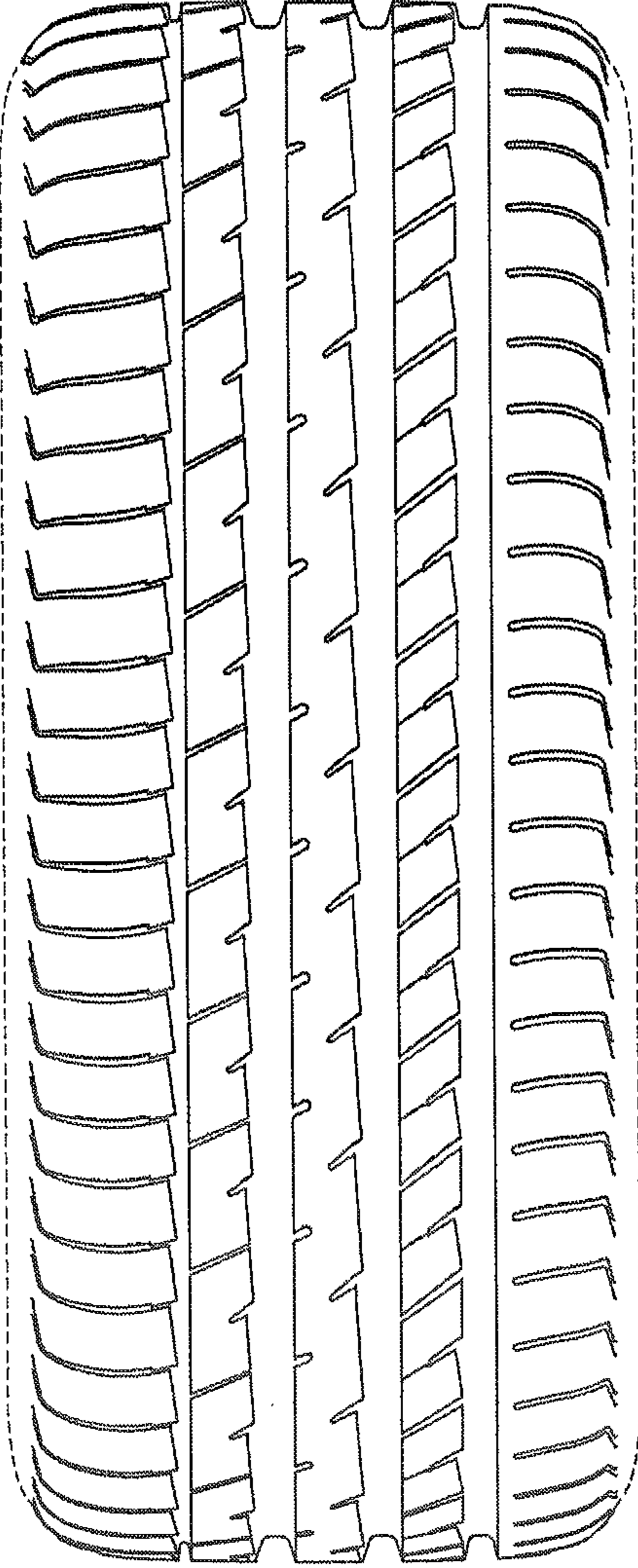


FIG. 4

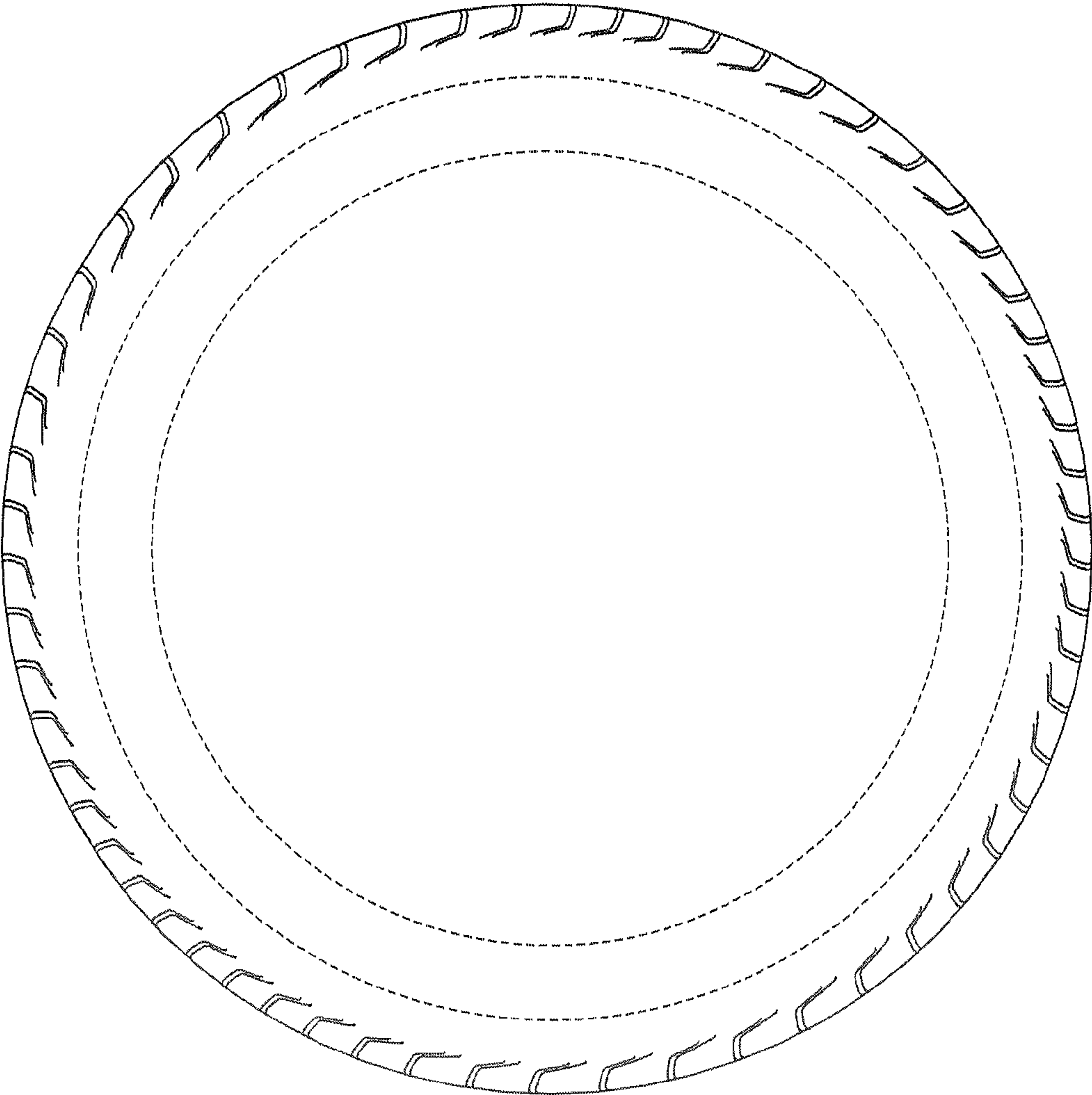


FIG. 5

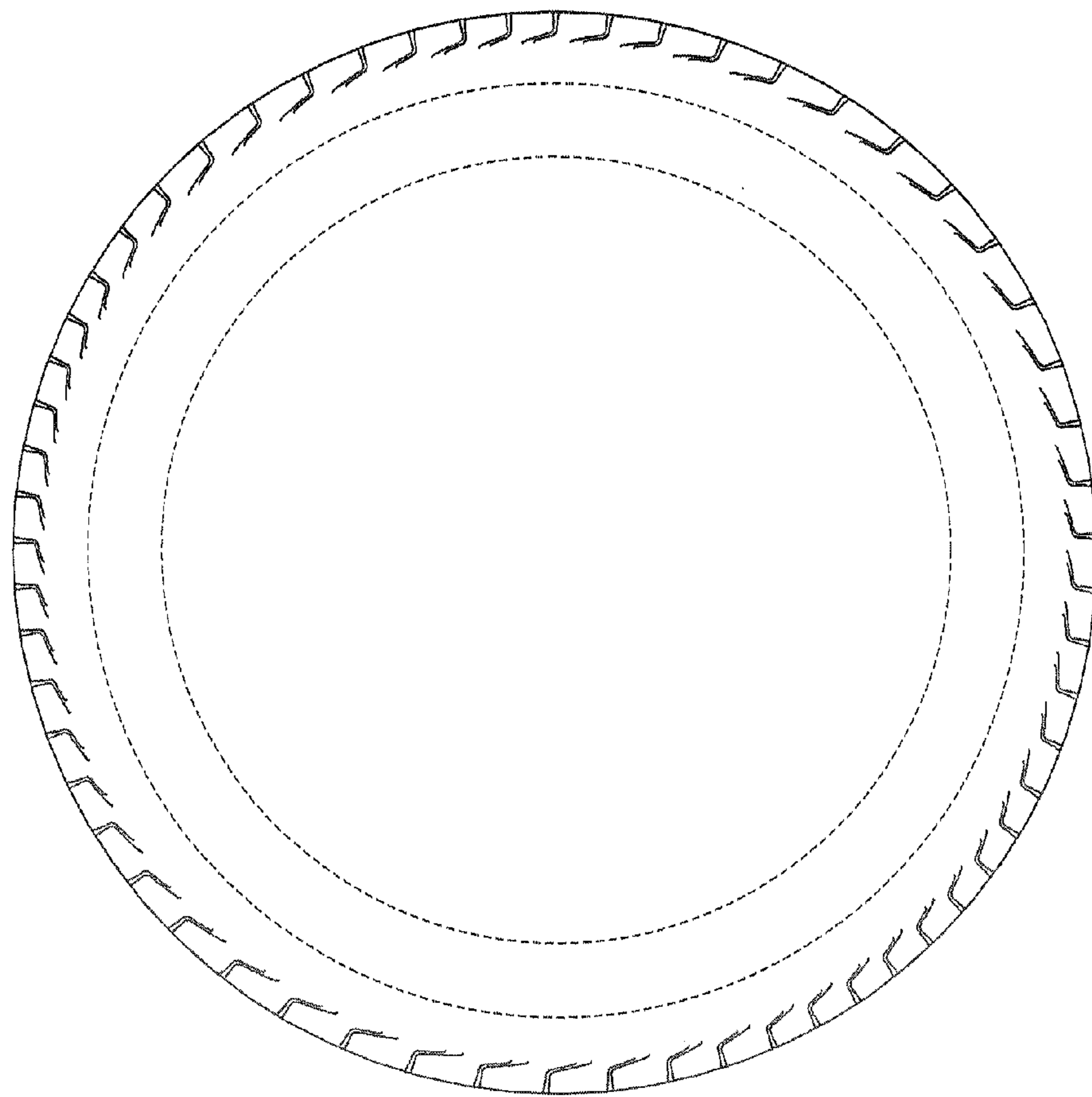


FIG. 6

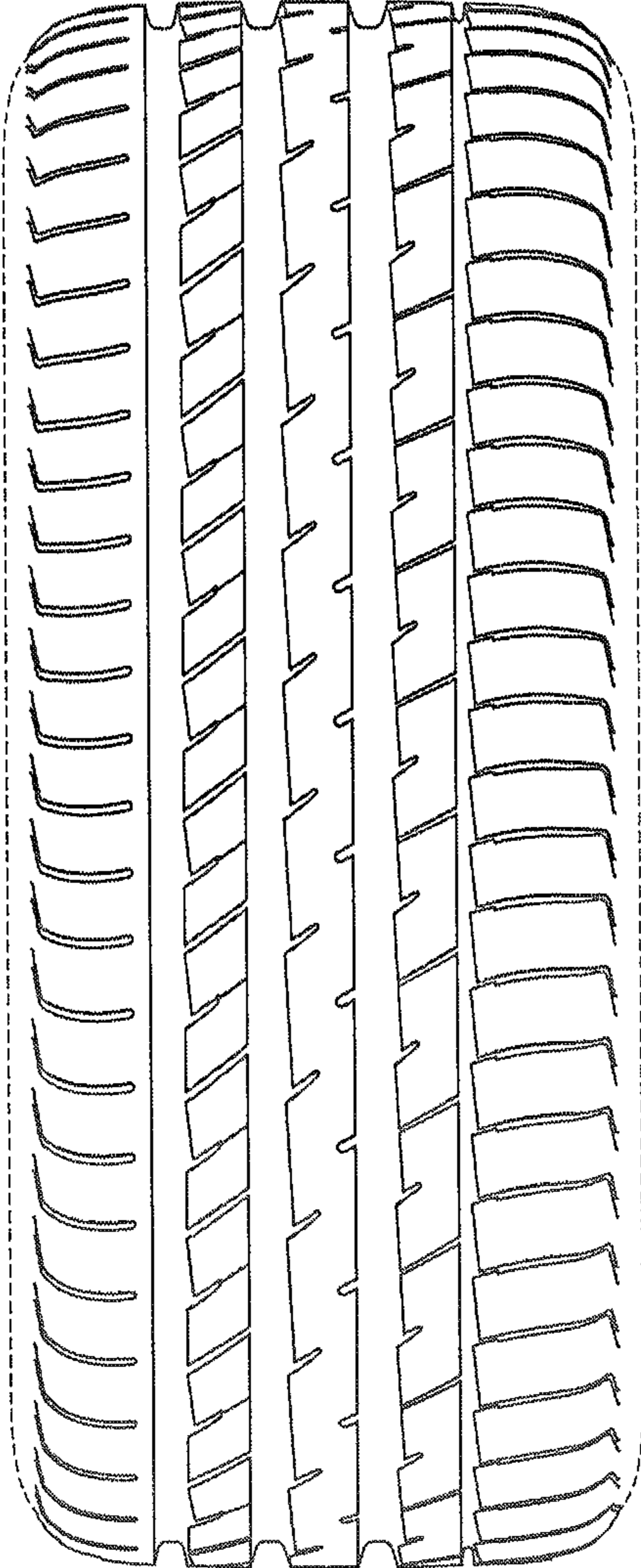


FIG. 7

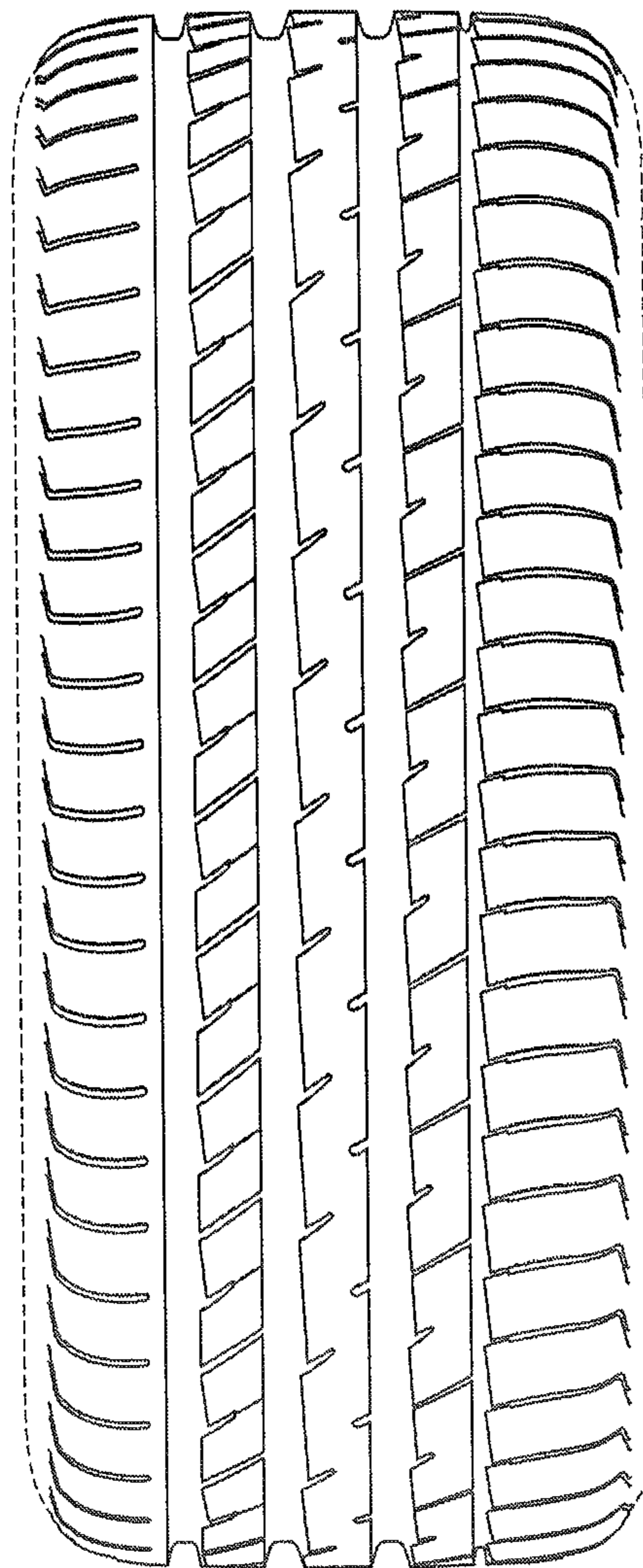


FIG. 8

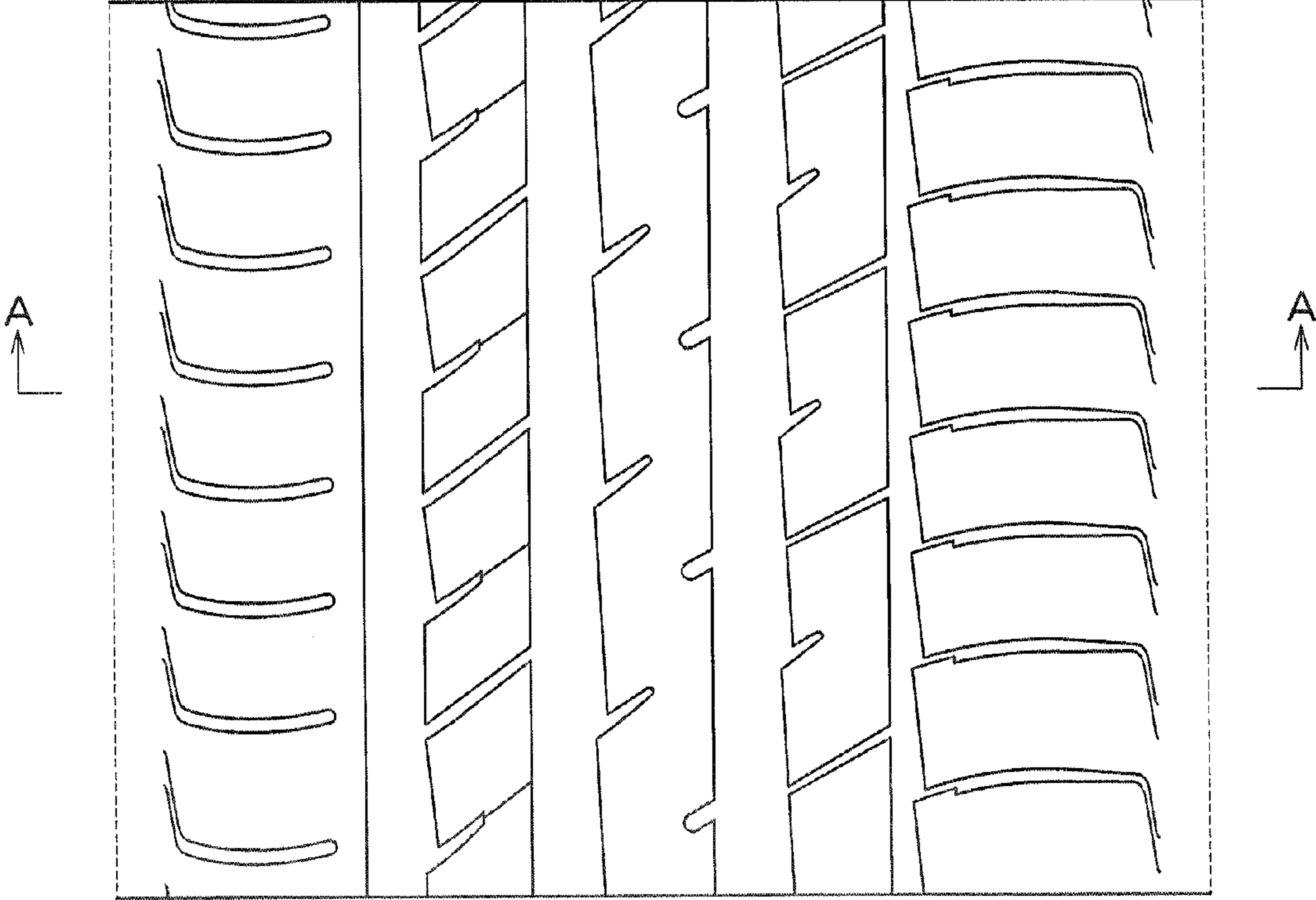


FIG. 9

