



US00D696181S

(12) **United States Design Patent**
Martin et al.

(10) **Patent No.:** **US D696,181 S**
(45) **Date of Patent:** **** Dec. 24, 2013**

- (54) **AIRCRAFT CONSOLE**
- (75) Inventors: **Mike Martin**, Los Angeles, CA (US);
Mike Robinson, Cheney, KS (US);
Allan Schrag, Wichita, KS (US);
Matthew Harrell, Wichita, KS (US)
- (73) Assignee: **Textron Innovations Inc.**, Providence,
RI (US)
- (**) Term: **14 Years**
- (21) Appl. No.: **29/400,572**
- (22) Filed: **Aug. 30, 2011**
- (51) **LOC (9) Cl.** **12-16**
- (52) **U.S. Cl.**
USPC **D12/415**
- (58) **Field of Classification Search**
USPC D12/415, 416, 417, 418, 419, 420;
296/36; 22/539; 224/404; 248/274.1,
248/284.1; D8/354; D9/423; D14/451-452
See application file for complete search history.

- D591,665 S 5/2009 Saint-Jalmes et al.
- D592,126 S 5/2009 da Silveira et al.
- D608,366 S 1/2010 Matas
- 7,665,693 B2 2/2010 Bettell
- D626,903 S * 11/2010 Vermeersch et al. D12/192
- D630,159 S 1/2011 Saint-Jalmes et al.
- D634,698 S 3/2011 Saint-Jalmes et al.
- 7,966,952 B2 6/2011 Fissette et al.
- 2009/0078169 A1 3/2009 Osborne et al.
- 2009/0146004 A1 6/2009 Plant
- 2009/0284476 A1 11/2009 Bull et al.
- 2010/0224727 A1 9/2010 Bauer et al.
- 2010/0293462 A1 11/2010 Bull et al.

* cited by examiner

Primary Examiner — Katrina A Betton

(74) *Attorney, Agent, or Firm* — Lathrop & Gage LLP

(57) **CLAIM**

The ornamental design for an aircraft console, as shown and described.

DESCRIPTION

This application is also related to commonly-owned and cofiled U.S. Design patent application Ser. No. 29/400,582, entitled Display For An Aircraft Console, filed Aug. 30, 2011, U.S. Design patent application Ser. No. 29/400,579, entitled Article Holding Area For An Aircraft Console, filed Aug. 30, 2011, and U.S. Design patent application Ser. No. 29/400,571, entitled Dual Display Arrangement For An Aircraft Console, filed Aug. 30, 2011.

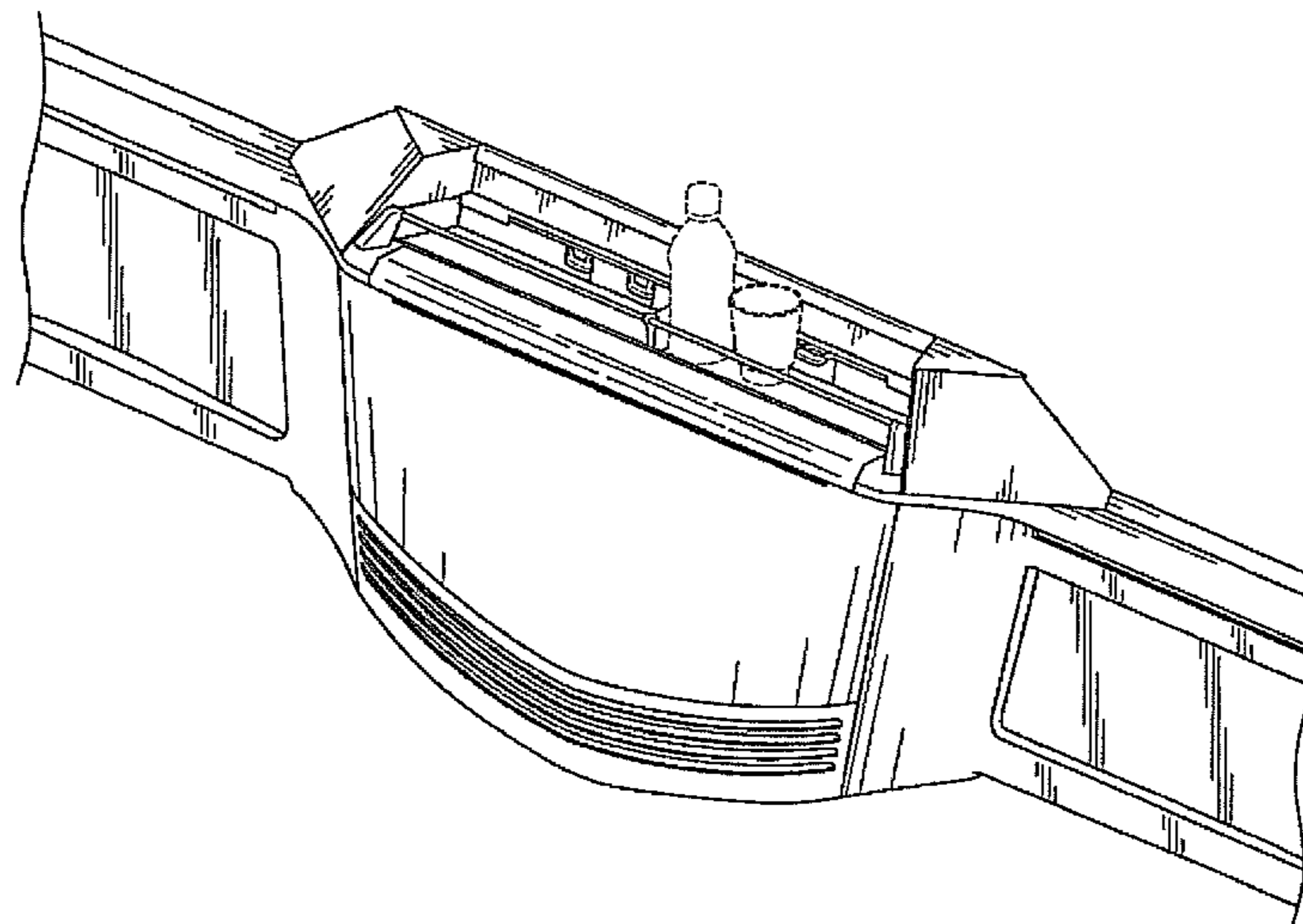
FIG. 1 is a top front perspective view of an aircraft console which embodies our new and original design therefore; FIG. 2 is a front elevational view thereof; FIG. 3 is a top plan view thereof; FIG. 4 is a left hand side elevational view thereof; and, FIG. 5 is a right hand side elevational view thereof.

The broken lines in the drawings are for illustrative purposes only and form no part of the claimed design.

1 Claim, 4 Drawing Sheets

(56) **References Cited**
U.S. PATENT DOCUMENTS

- D295,969 S * 5/1988 Hooks et al. D12/424
- D314,739 S * 2/1991 Mallone D12/424
- D320,587 S * 10/1991 Kapp et al. D12/418
- D425,475 S 5/2000 Herer
- 6,264,273 B1 7/2001 Waters, Sr.
- D451,928 S 12/2001 Van Huong
- D553,554 S 10/2007 Figueiredo
- D556,107 S 11/2007 Figueiredo
- D576,820 S 9/2008 Priestman
- D576,821 S 9/2008 Fissette et al.
- D577,501 S 9/2008 Fissette et al.
- D577,502 S 9/2008 Fissette et al.
- D577,503 S 9/2008 Priestman
- D589,870 S 4/2009 Saint-Jalmes et al.



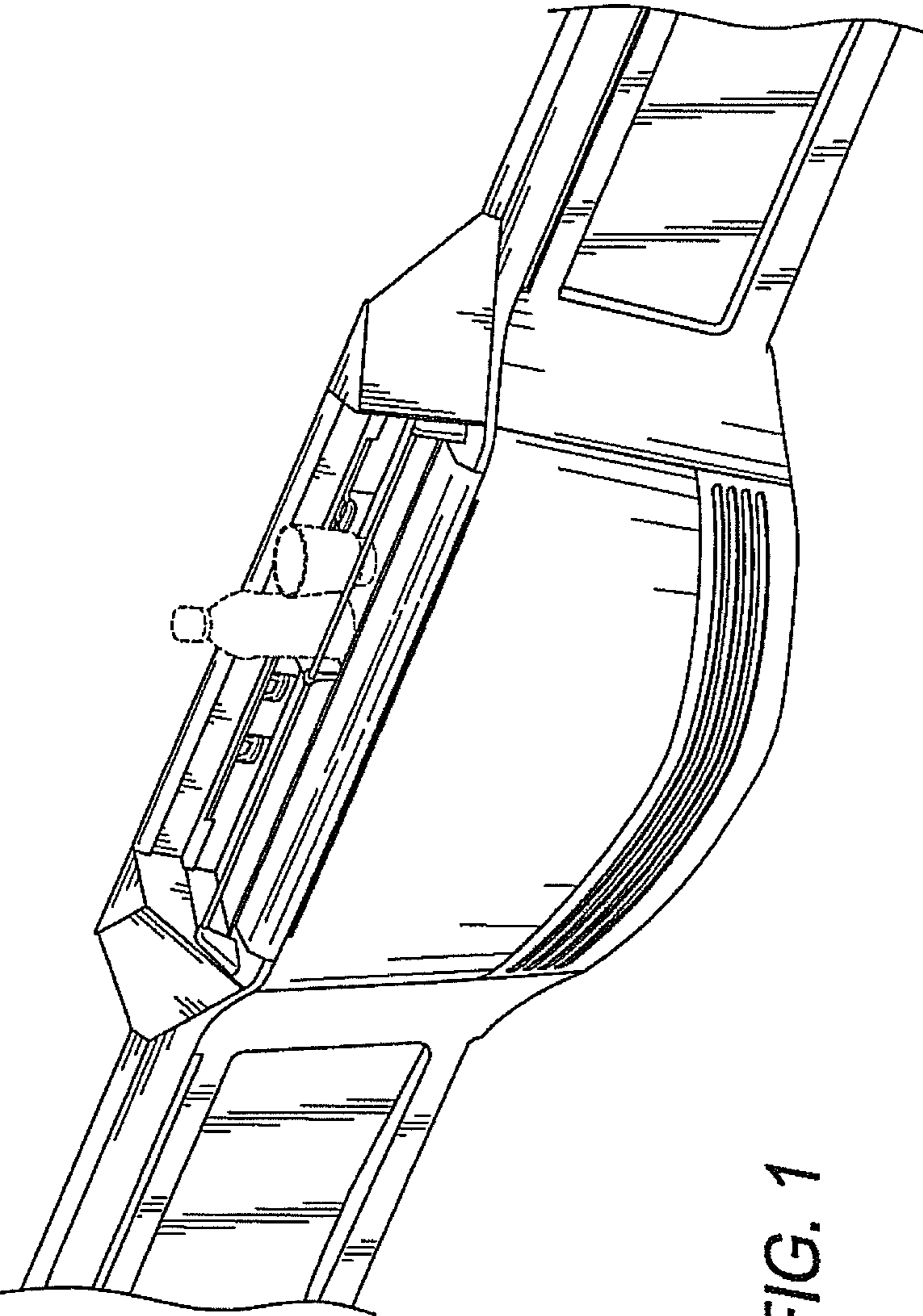


FIG. 1

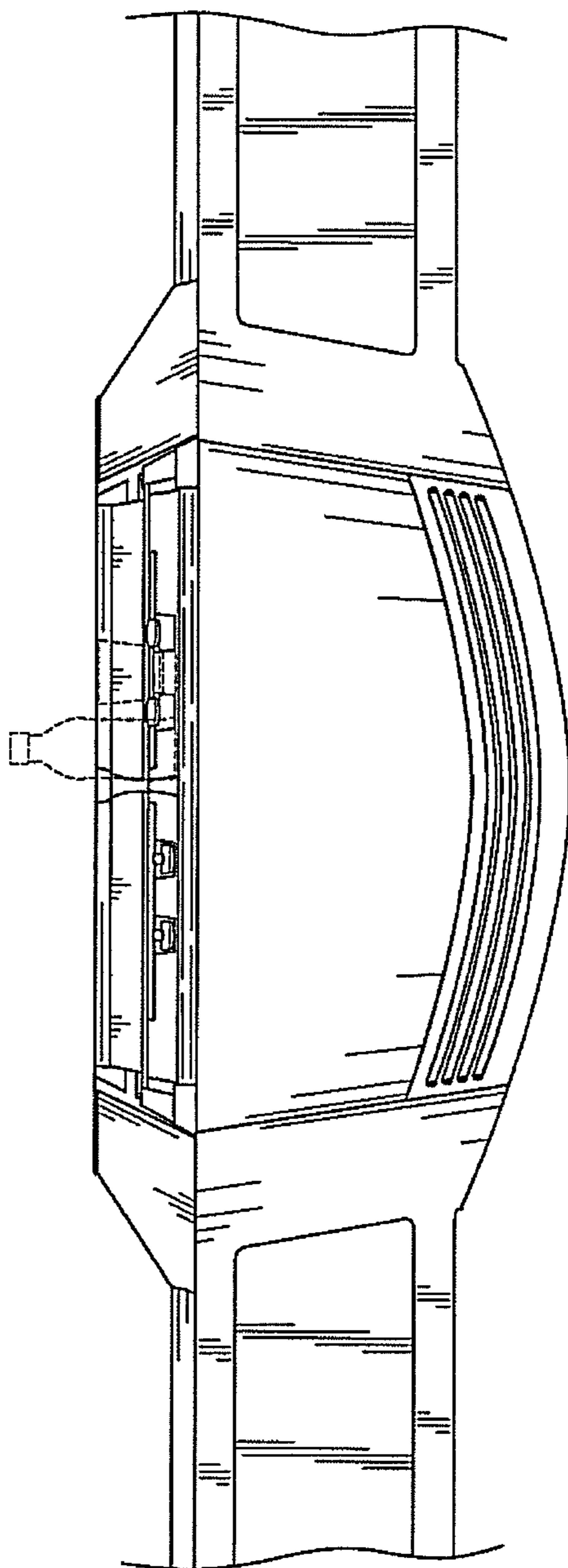


FIG. 2

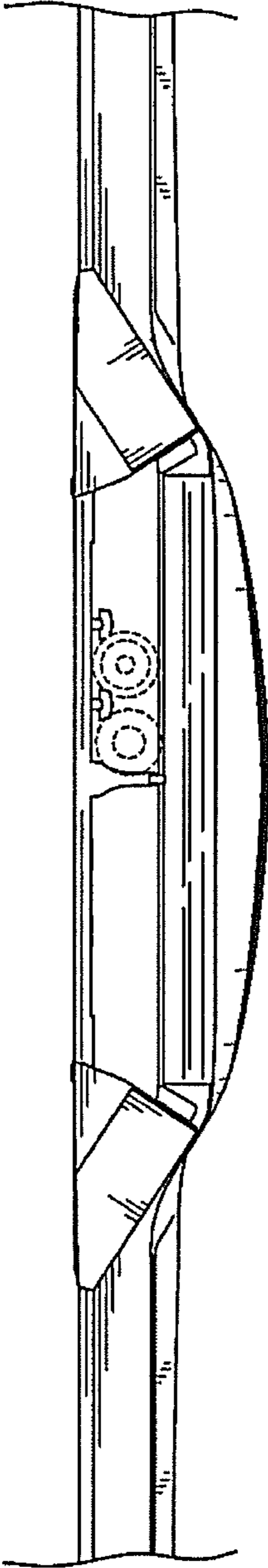


FIG. 3

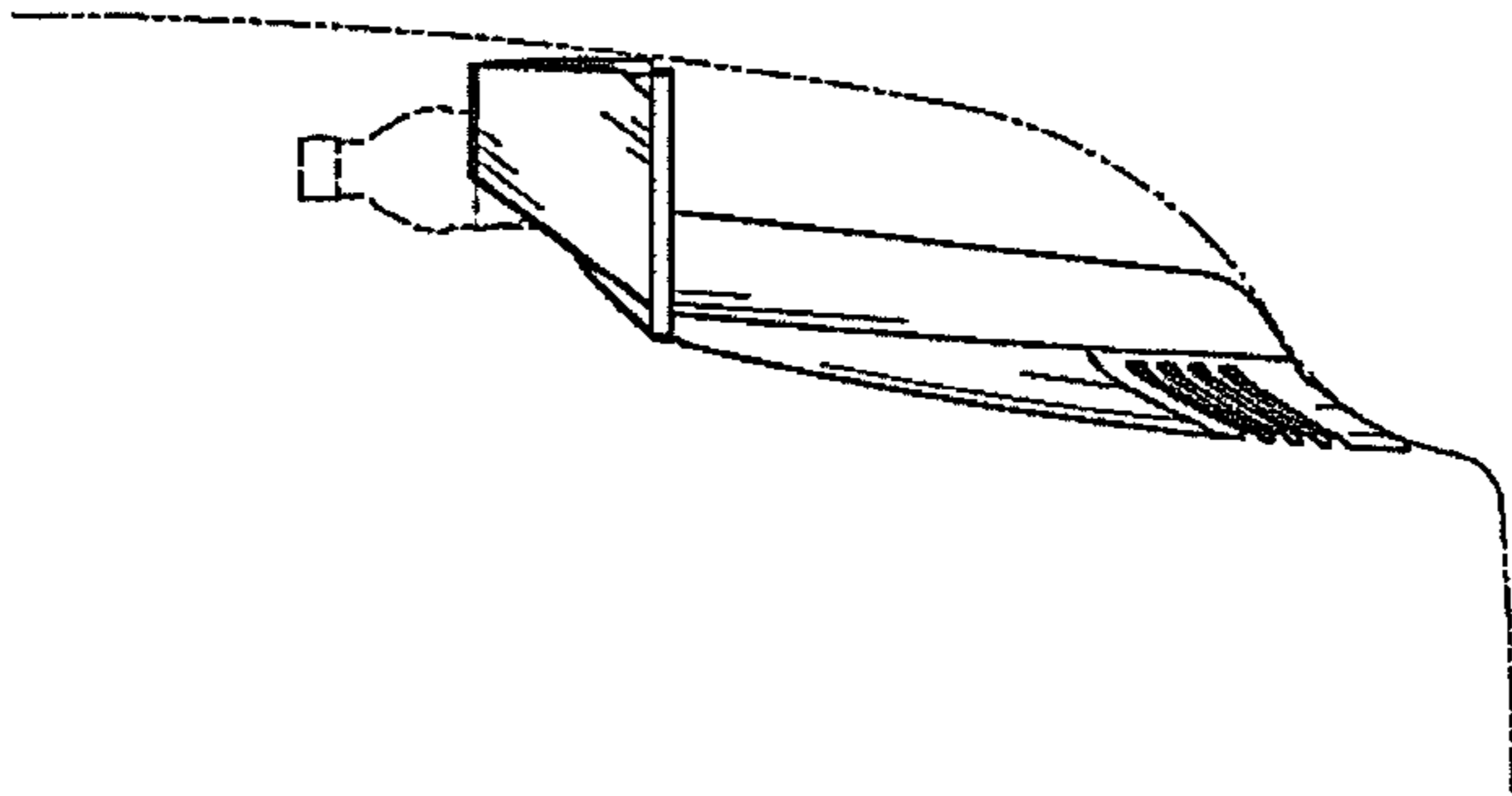


FIG. 5

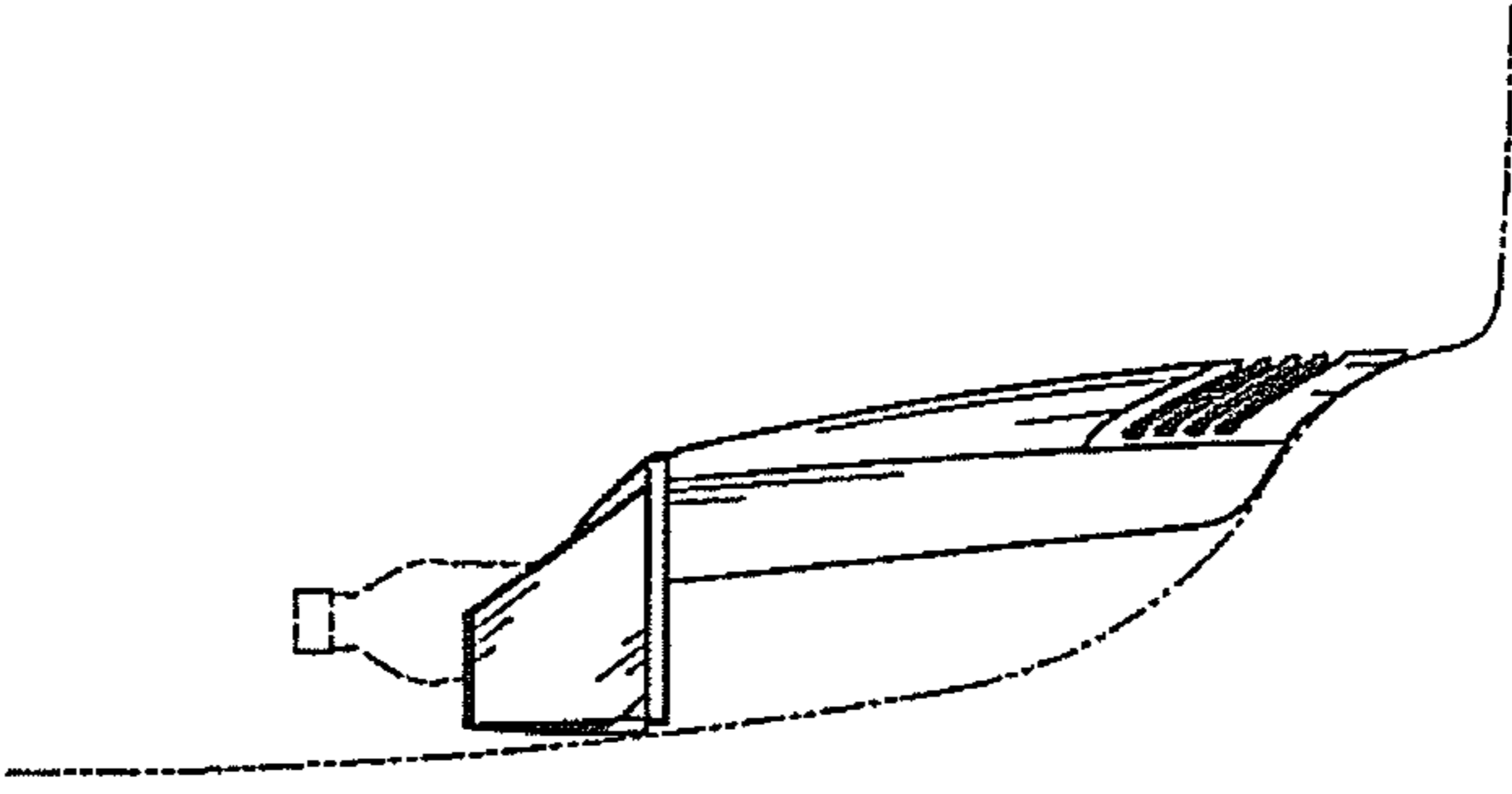


FIG. 4