

US00D696179S

(12) **United States Design Patent**
Lepper

(10) **Patent No.:** **US D696,179 S**

(45) **Date of Patent:** **** Dec. 24, 2013**

(54) **INTEGRAL WHEEL FOR SMALL WATERCRAFT**

(76) Inventor: **William Paul Lepper**, Palmerston North (NZ)

(**) Term: **14 Years**

(21) Appl. No.: **29/351,499**

(22) Filed: **Dec. 7, 2009**

(51) **LOC (9) Cl.** **12-06**

(52) **U.S. Cl.**
USPC **D12/317**

(58) **Field of Classification Search**
USPC D12/317, 300, 204–211; D34/23, 28, D34/24; D3/318, 273; D8/375; 190/100; 16/113.1, 45; 114/344; 280/47.131
See application file for complete search history.

(56) **References Cited**

U.S. PATENT DOCUMENTS

3,659,868	A *	5/1972	Tucker	280/47.32
D304,113	S *	10/1989	Smith	D34/24
D334,268	S *	3/1993	Hayes	D34/28
D401,713	S *	11/1998	Simon	D34/23
5,941,335	A *	8/1999	Krisher	180/255
6,217,038	B1 *	4/2001	Moe	280/11.207
D522,753	S *	6/2006	Moon	D3/318

D558,948	S *	1/2008	Miller et al.	D34/24
D570,072	S *	5/2008	Walstrom et al.	D34/35
D576,795	S *	9/2008	Moon	D3/318
D593,326	S *	6/2009	Yeh	D3/318
D634,124	S *	3/2011	Fair	D3/318
D650,658	S *	12/2011	Magill et al.	D8/375

* cited by examiner

Primary Examiner — Sheryl Lane

(74) *Attorney, Agent, or Firm* — The Webb Law Firm

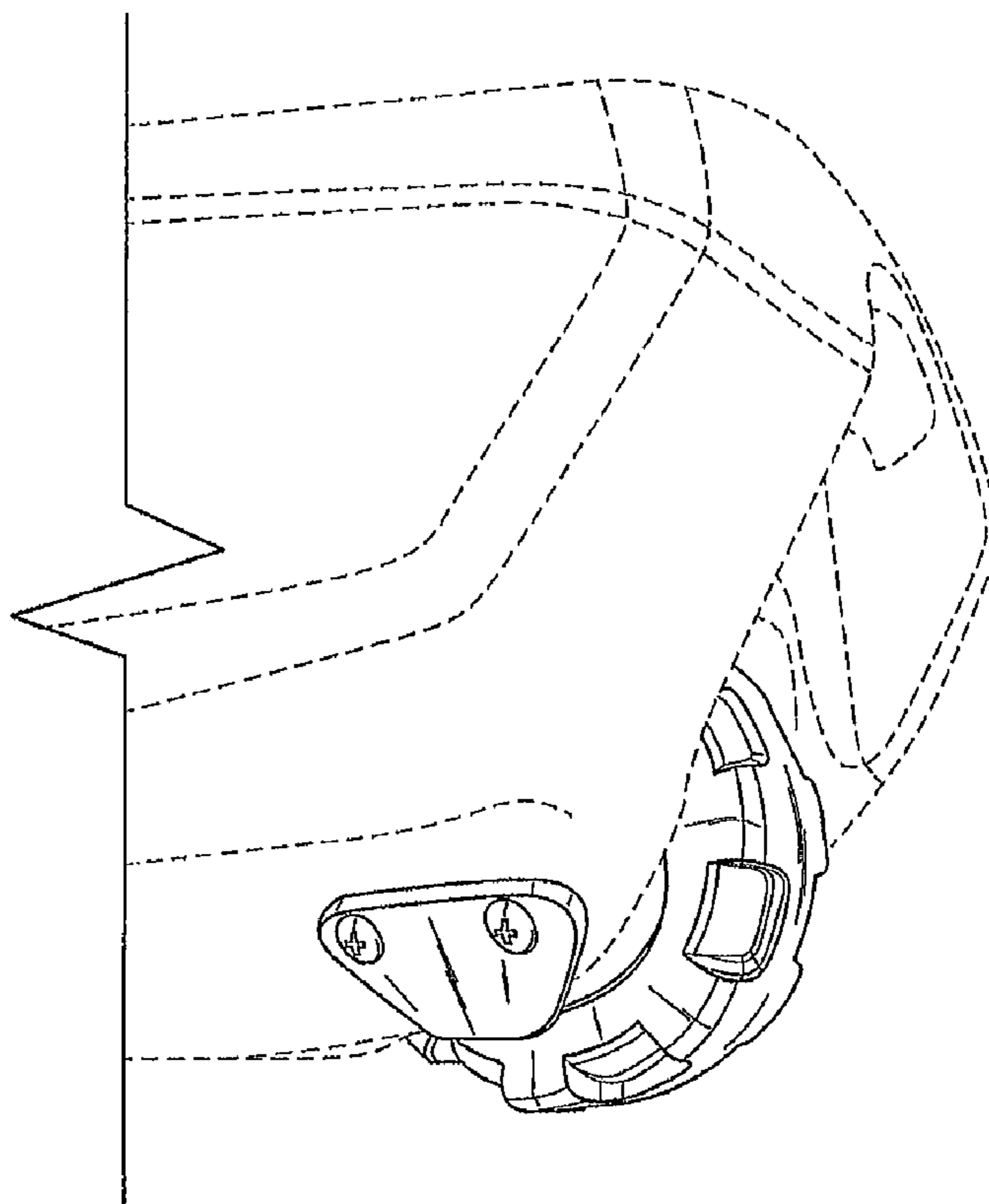
(57) **CLAIM**

The ornamental design for an integral wheel for small watercraft, as shown and described.

DESCRIPTION

FIG. 1 is a side view of the integral wheel for small watercraft, in accordance with the present invention;
FIG. 2 is a bottom view of the integral wheel for small watercraft shown in FIG. 1;
FIG. 3 is a perspective view of the integral wheel for small watercraft shown in FIG. 1; and,
FIG. 4 is an enlarged view of the lower portion of FIG. 1.
The top of the integral wheel for small watercraft, which is not depicted in the figures, forms no part of the claimed design.
The broken lines represent portions of the article and form no part of the claimed design.

1 Claim, 2 Drawing Sheets



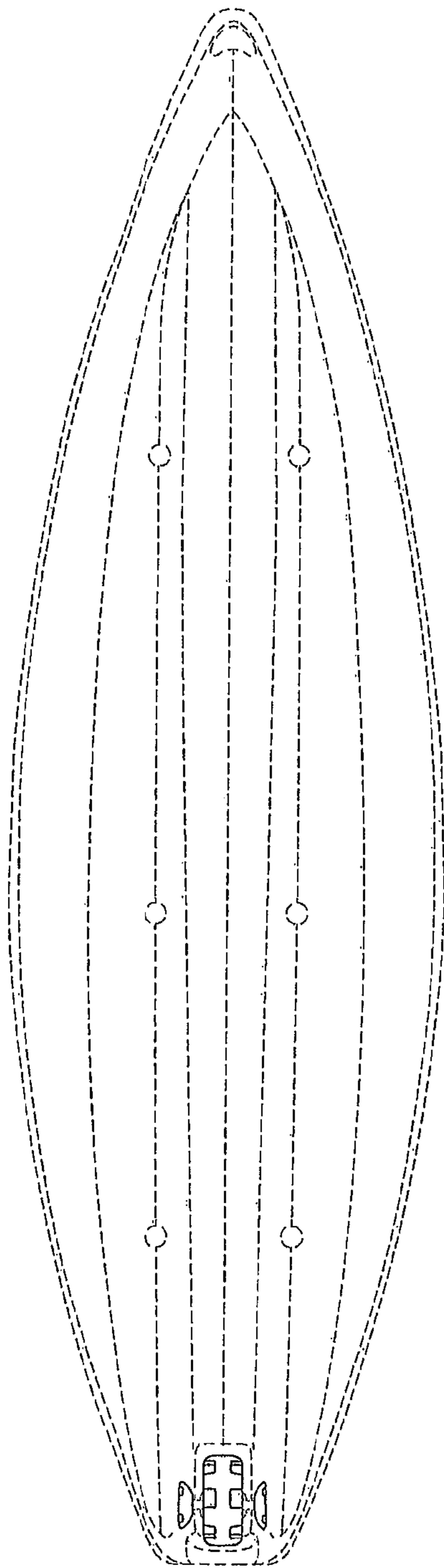


FIG. 1

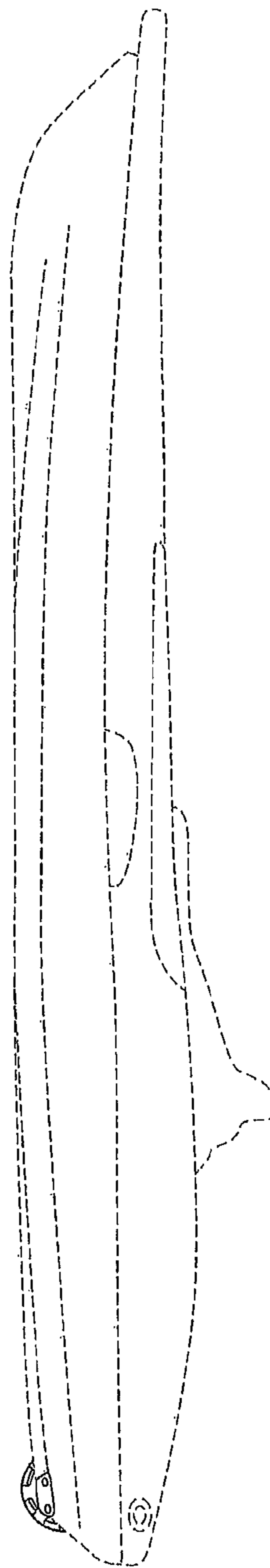


FIG. 2

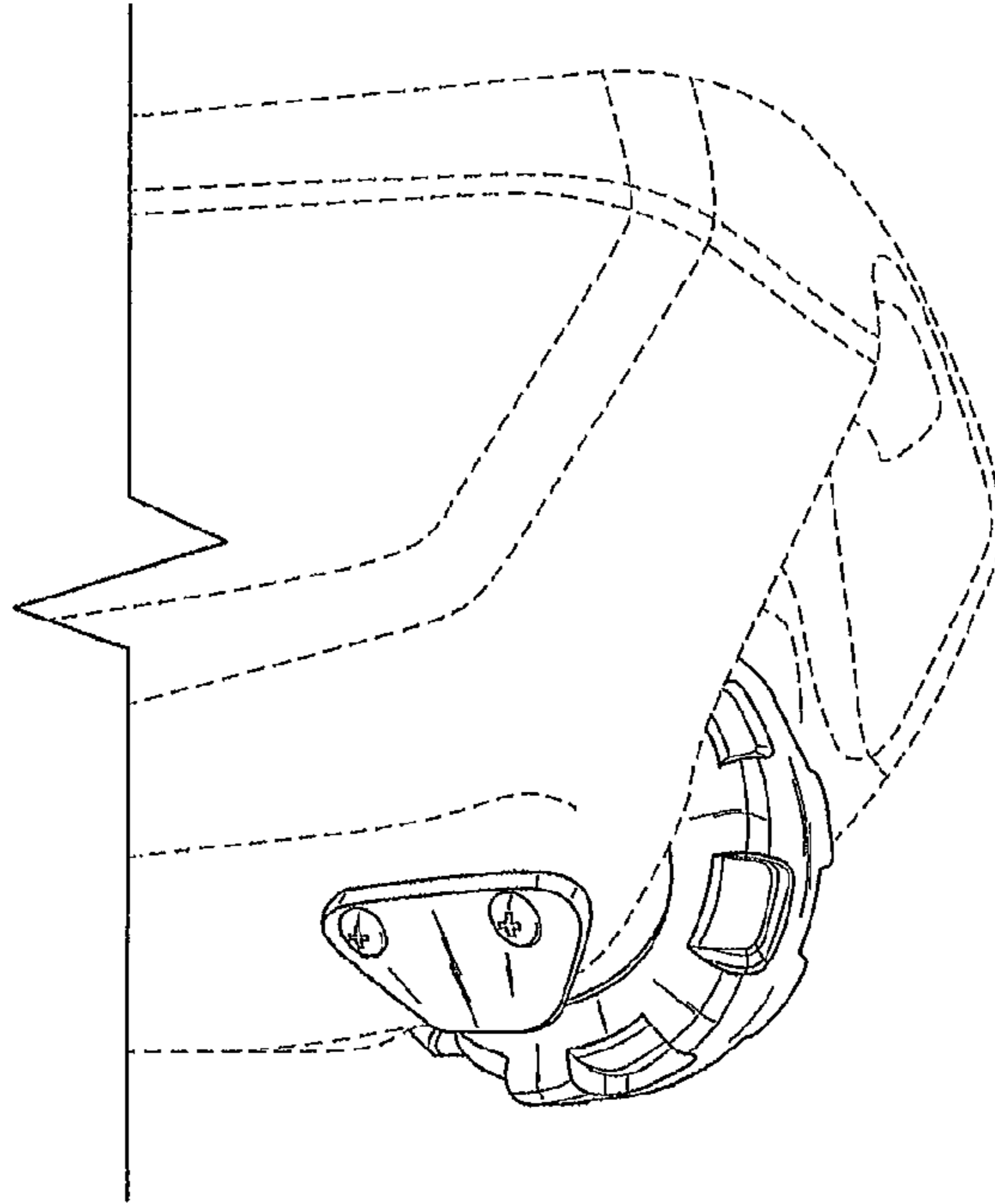


FIG. 3

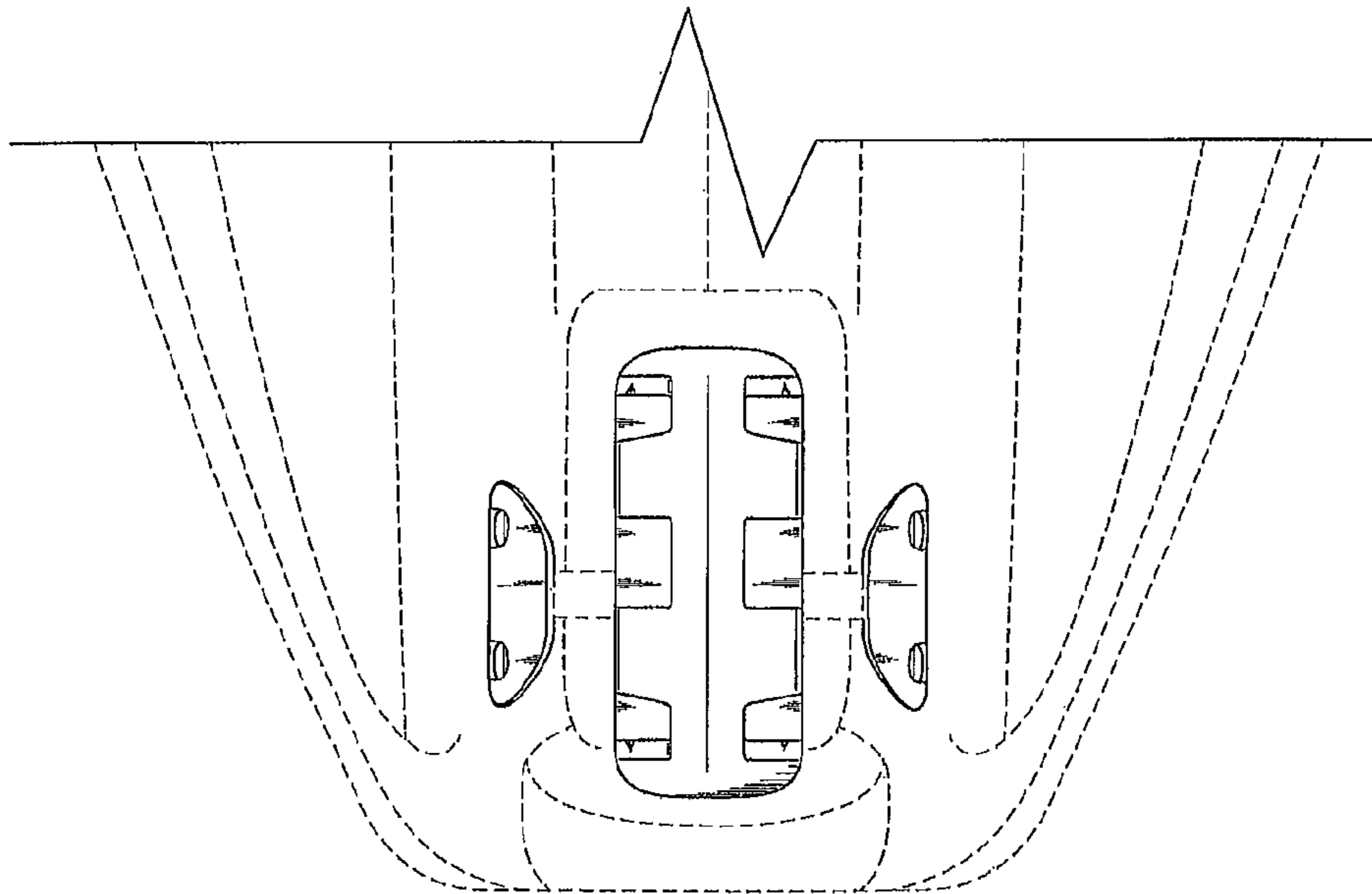


FIG. 4

UNITED STATES PATENT AND TRADEMARK OFFICE
CERTIFICATE OF CORRECTION

PATENT NO. : D696,179 S
APPLICATION NO. : 29/351499
DATED : December 24, 2013
INVENTOR(S) : William Paul Lepper

Page 1 of 1

It is certified that error appears in the above-identified patent and that said Letters Patent is hereby corrected as shown below:

Title Page, Column 1, insert the following Related Priority Data -- Non-Provisional of 61/201,104
filed on December 5, 2008 --

Signed and Sealed this
Sixth Day of May, 2014



Michelle K. Lee
Deputy Director of the United States Patent and Trademark Office