

US00D696173S

(12) **United States Design Patent**
Hatter

(10) **Patent No.:** **US D696,173 S**
(45) **Date of Patent:** **** Dec. 24, 2013**

- (54) **REAR DECK LID**
- (71) Applicant: **Dr. Ing. h.c. F. Porsche**
Aktiengesellschaft, Stuttgart (DE)
- (72) Inventor: **Anthony-Robert Hatter, Weissach (DE)**
- (73) Assignee: **Dr. Ing. h.c. F. Porsche**
Aktiengesellschaft, Stuttgart (DE)
- (**) Term: **14 Years**
- (21) Appl. No.: **29/434,415**
- (22) Filed: **Oct. 12, 2012**
- (30) **Foreign Application Priority Data**
Apr. 13, 2012 (DE) 40 2012 100 241
- (51) **LOC (9) Cl.** **12-16**
- (52) **U.S. Cl.**
USPC **D12/196**
- (58) **Field of Classification Search**
USPC D12/85, 86, 88, 90, 91, 92, 196;
296/181.1, 181.5
See application file for complete search history.

- 7,533,925 B2 * 5/2009 Klatt et al. 296/146.6
- 7,735,264 B2 * 6/2010 Rieder et al. 49/502
- D669,001 S * 10/2012 Varga D12/92
- D669,407 S * 10/2012 Varga D12/196
- D672,697 S * 12/2012 Saracoglu D12/196
- D672,698 S * 12/2012 Saracoglu D12/196

OTHER PUBLICATIONS

Clarity—The new 911 Carrera GTS. Porsche USA. Sep. 10, 2010 [online], [retrieved on Mar. 7, 2013]. Retrieved from the Internet <URL: http://www.auto-brochures.com/makes/Porsche/911/Porsche_US%20911GTS_2011.pdf>.*

Exclusive 911—The Ultimate Personalization. Porsche USA. May 13, 2009 [online], [retrieved on Mar. 7, 2013]. Retrieved from the Internet <URL: http://www.auto-brochures.com/makes/Porsche/911/Porsche_US%20911-Personalisation_2010.pdf>.*

* cited by examiner

Primary Examiner — Philip S Hyder
Assistant Examiner — Darlington Ly
(74) *Attorney, Agent, or Firm* — RatnerPrestia

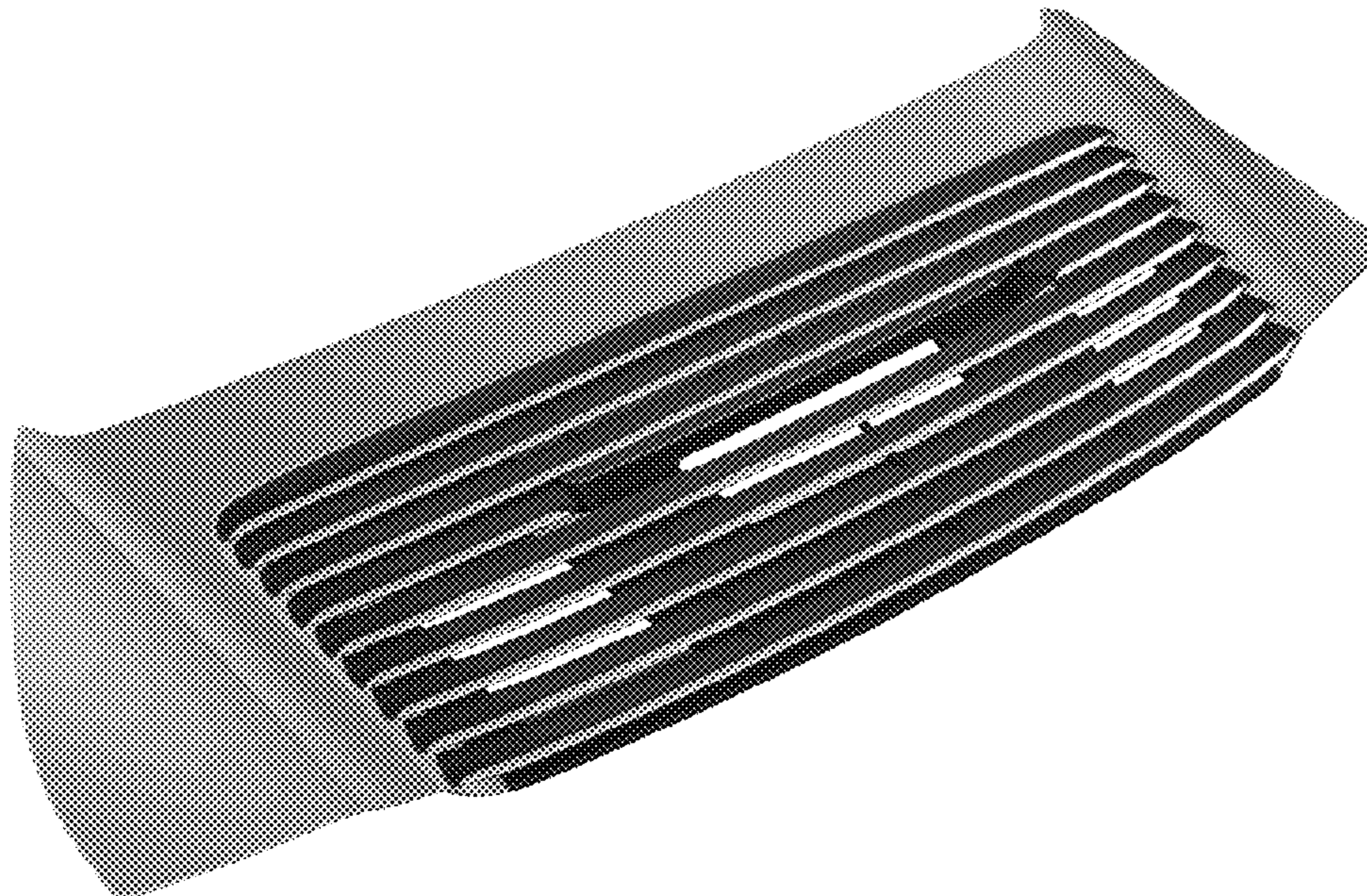
(57) **CLAIM**
The ornamental design for a rear deck lid, as shown and described.

DESCRIPTION

FIG. 1 is a perspective view of a rear deck lid;
FIG. 2 is a front elevation view thereof;
FIG. 3 is a rear elevation view thereof;
FIG. 4 is a left side elevation view thereof;
FIG. 5 is a right side elevation view thereof;
FIG. 6 is a top plan view thereof; and,
FIG. 7 is a bottom plan view thereof.

1 Claim, 4 Drawing Sheets

- (56) **References Cited**
U.S. PATENT DOCUMENTS
D277,841 S * 3/1985 Smith et al. D12/183
5,112,100 A * 5/1992 Murkett et al. 296/181.4
D401,890 S * 12/1998 Larson et al. D12/91
D436,061 S * 1/2001 Mobius et al. D12/92
D512,341 S * 12/2005 Larson D12/92
D547,240 S * 7/2007 Kulla D12/92
D590,312 S * 4/2009 Varga D12/196



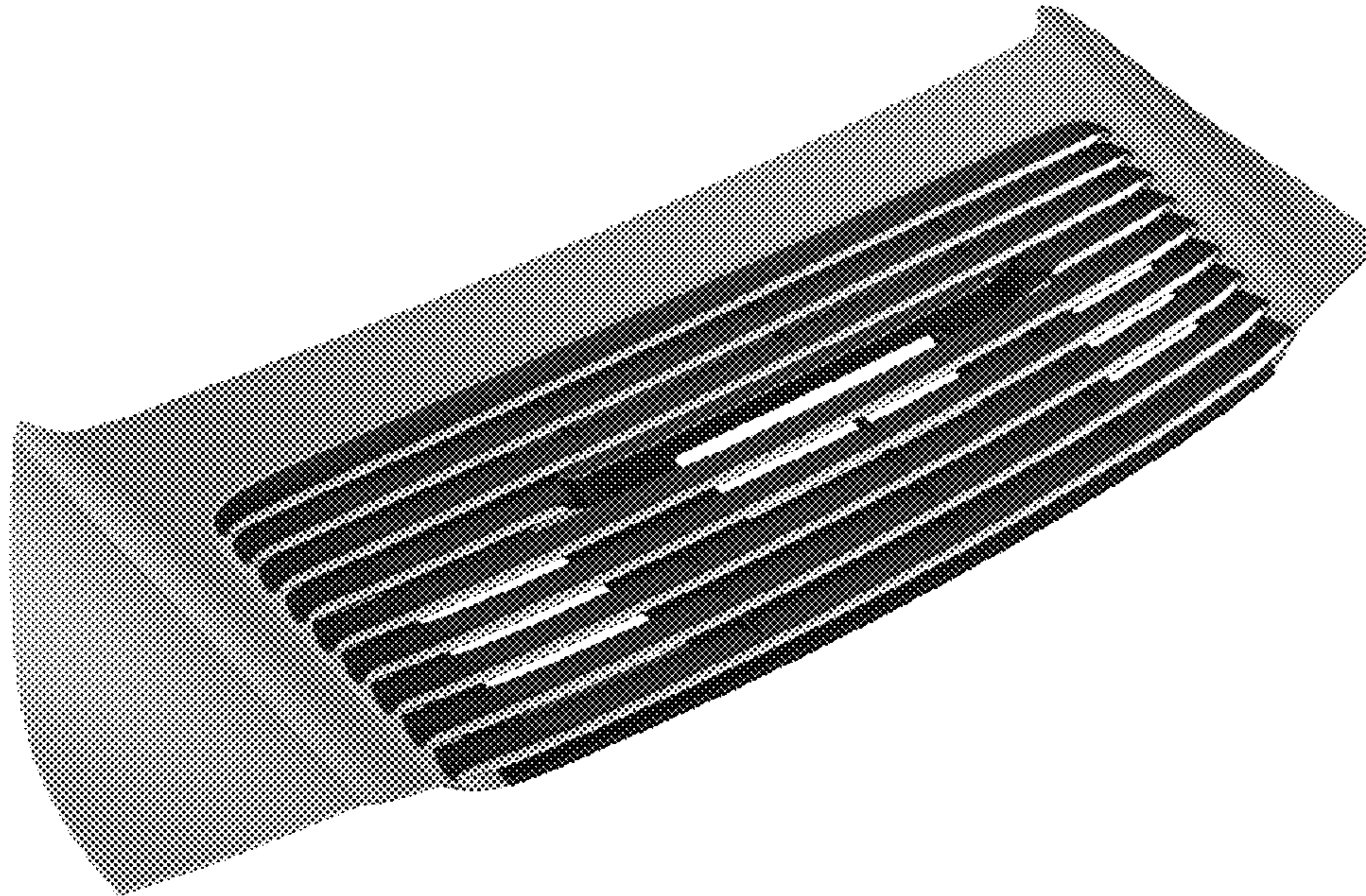


Figure 1

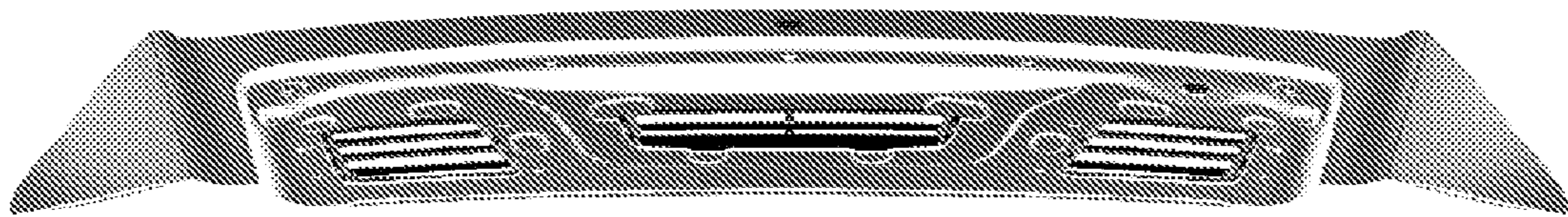


Figure 2

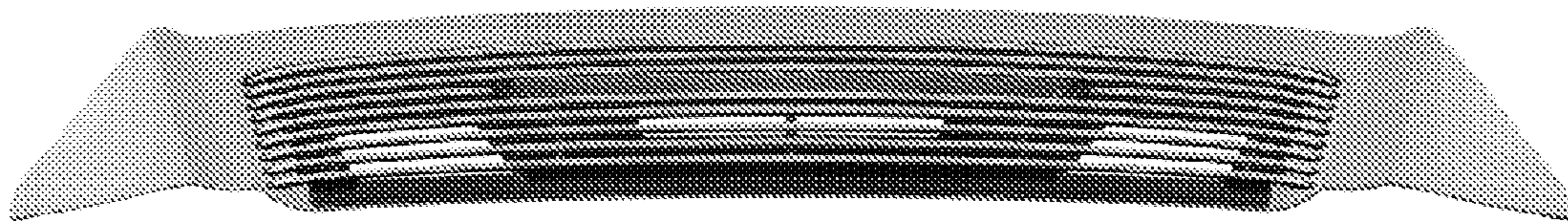


Figure 3

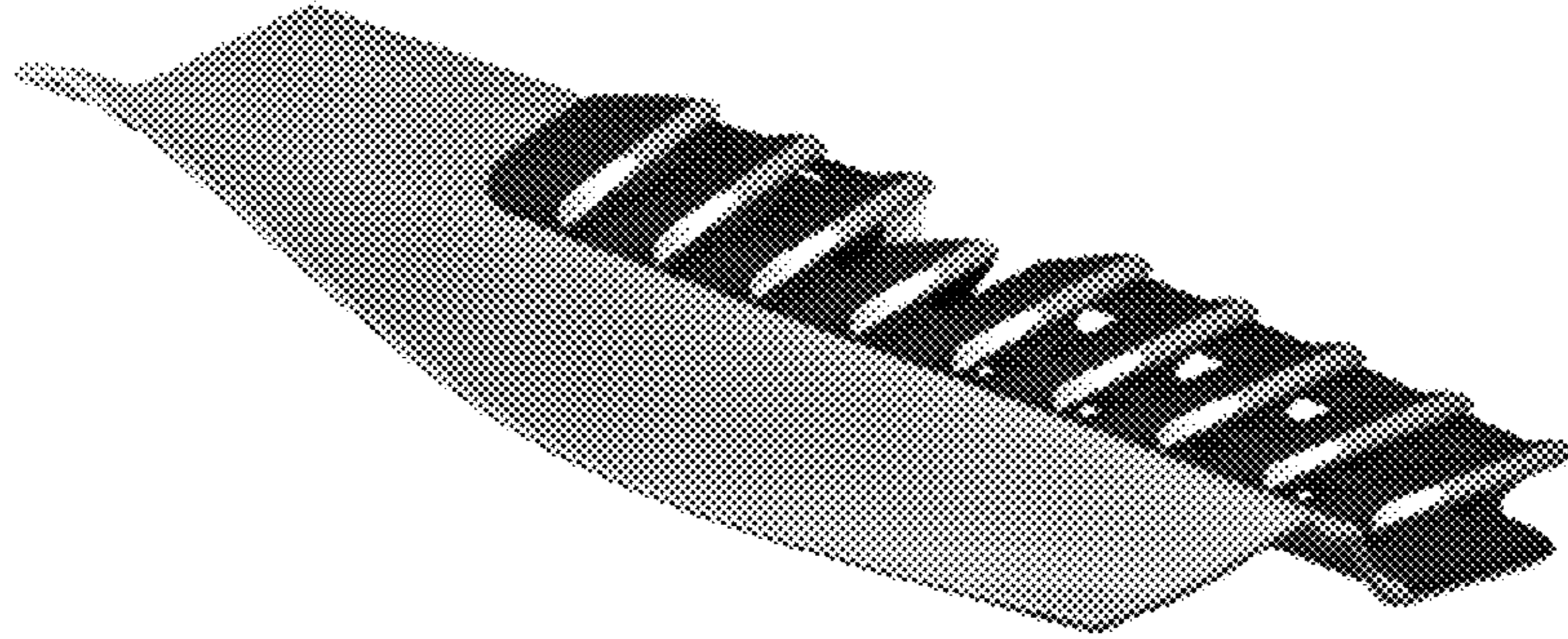


Figure 4

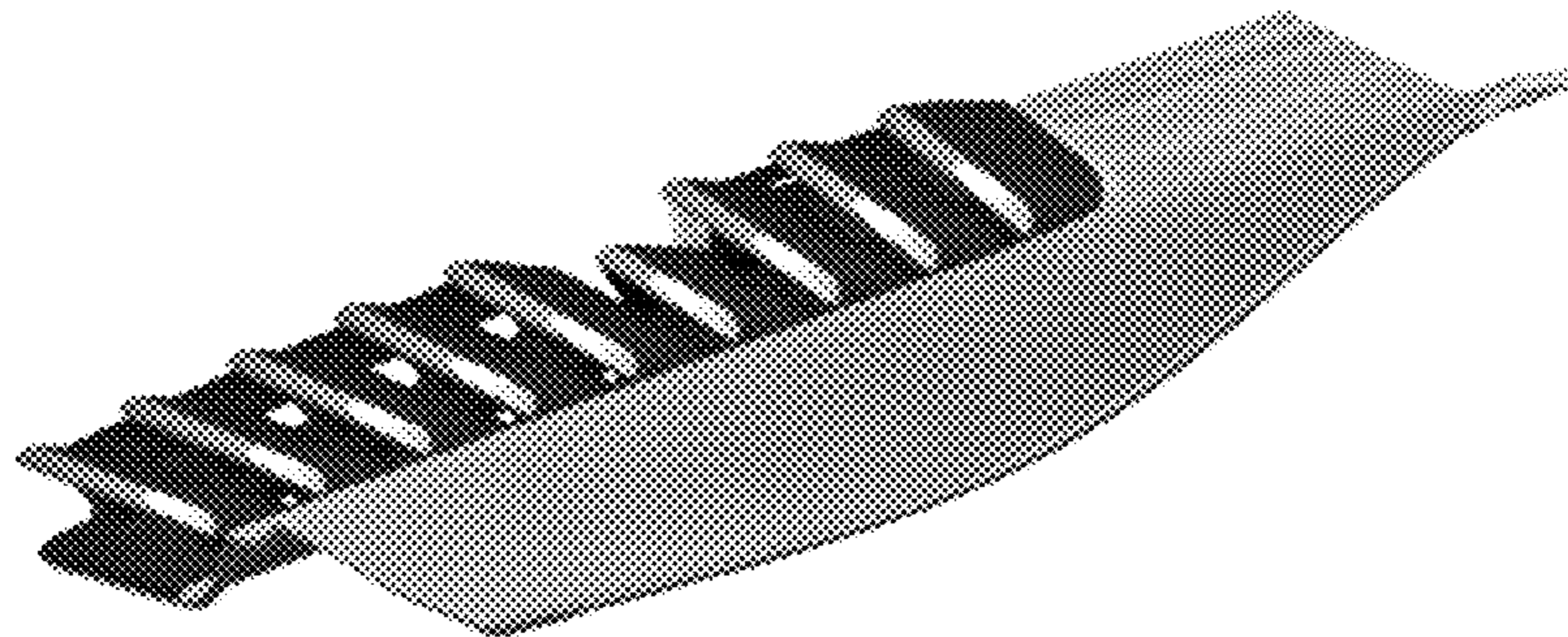


Figure 5

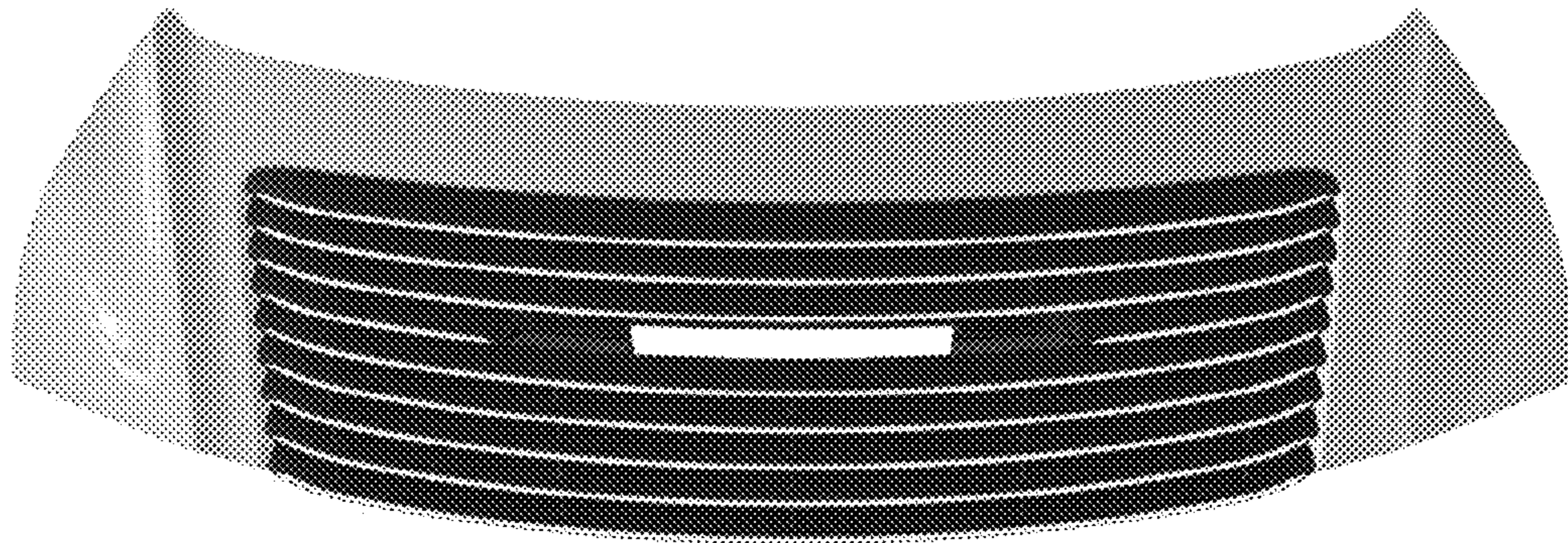


Figure 6

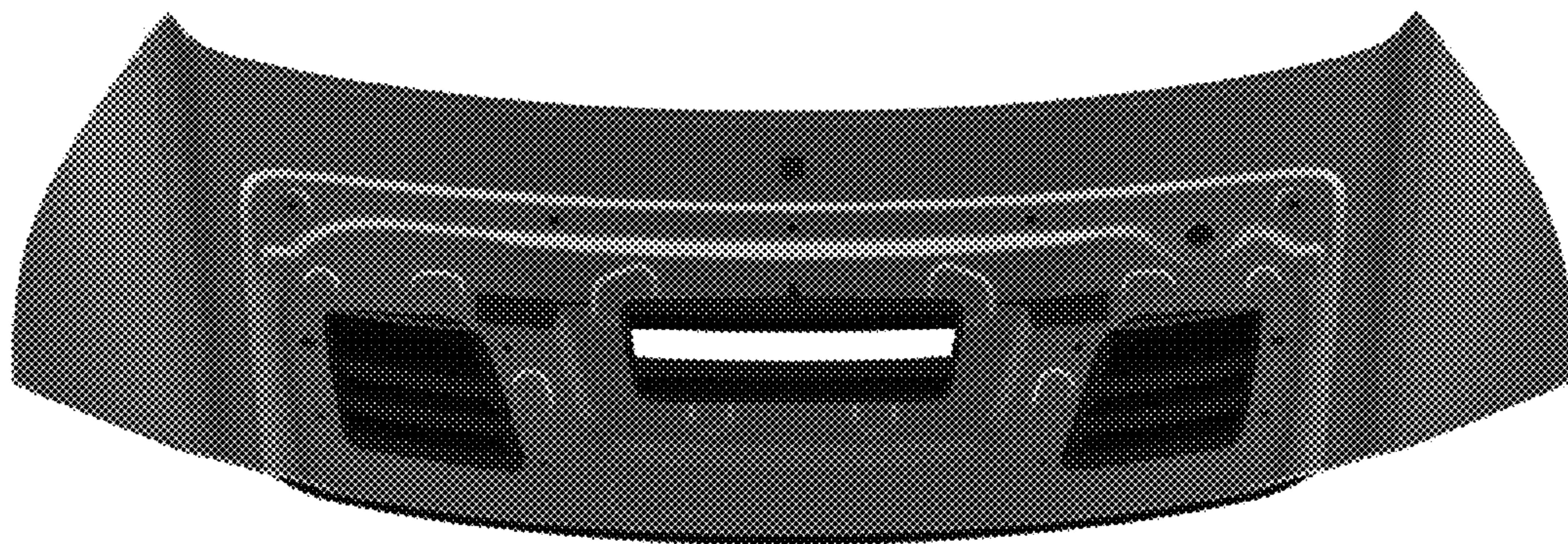


Figure 7