



US00D696172S

(12) **United States Design Patent**
Kawasaki et al.

(10) **Patent No.:** **US D696,172 S**

(45) **Date of Patent:** **** Dec. 24, 2013**

(54) **FENDER FOR AN AUTOMOBILE**

(75) Inventors: **Masakazu Kawasaki**, Nagoya (JP);
Hideo Koyama, Tokai (JP); **Shun**
Kawaguchi, Nagoya (JP)

(73) Assignee: **Toyota Jidosha Kabushiki Kaisha** (JP)

(**) Term: **14 Years**

(21) Appl. No.: **29/425,591**

(22) Filed: **Jun. 25, 2012**

(51) **LOC (9) Cl.** **12-16**

(52) **U.S. Cl.**
USPC **D12/196**

(58) **Field of Classification Search**
USPC D12/184, 196, 90-92, 181; 280/152.1,
280/847-849, 851; 296/181.1, 181.5
See application file for complete search history.

(56) **References Cited**

U.S. PATENT DOCUMENTS

D592,117 S	*	5/2009	Ward	D12/196
D605,101 S	*	12/2009	Mueller	D12/196
D605,572 S	*	12/2009	Ward	D12/196
D620,413 S	*	7/2010	Huet	D12/184
D633,838 S	*	3/2011	Loeb	D12/196
D658,557 S	*	5/2012	Hakamata et al.	D12/196
D658,558 S	*	5/2012	Hakamata et al.	D12/196
D660,216 S	*	5/2012	Ikuma et al.	D12/196

OTHER PUBLICATIONS

Opel, Opel Insignia Sport Tourer, NetCarShow.com, http://www.netcarshow.com/opel/2010-insignia_sports_tourer/800x600/wallpaper_12.htm, available at least as early as Feb. 25, 2011.
Ford, Ford Focus Estate, NetCarShow.com, http://www.netcarshow.com/ford/2011-focus_estate/800x600/wallpaper_08.htm, available at least as early as Feb. 25, 2011.
Honda, Honda Accord Tourer, NetCarShow.com, http://www.netcarshow.com/honda/2009-accord_tourer/800x600/wallpaper_1e.htm, available at least as early as Feb. 25, 2011.

* cited by examiner

Primary Examiner — Melody Brown

(74) *Attorney, Agent, or Firm* — SAIDMAN DesignLaw Group

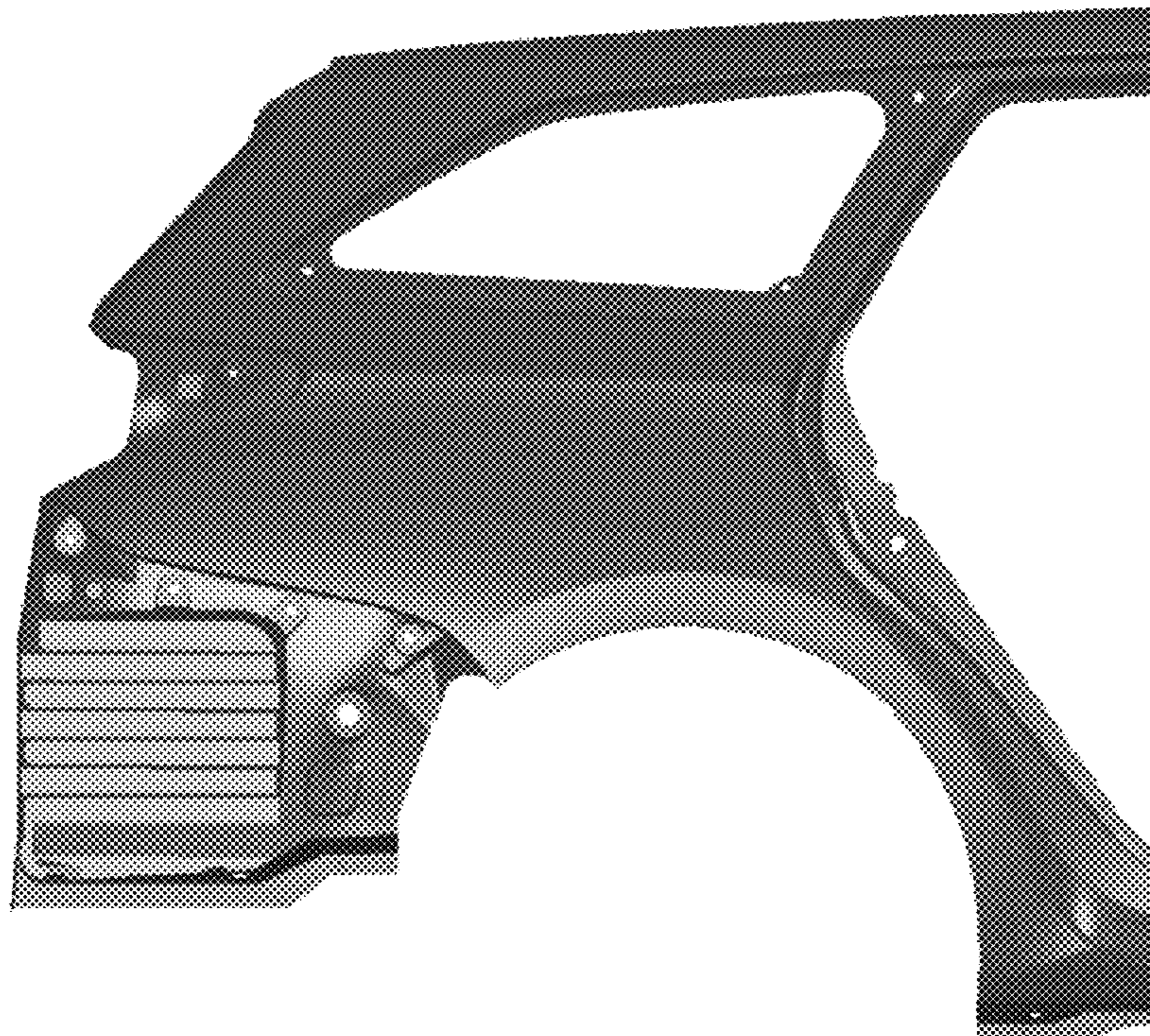
(57) **CLAIM**

The ornamental design for a fender for an automobile, as shown and described.

DESCRIPTION

FIG. 1 is a front, perspective view of a fender for an automobile showing our new design;
FIG. 2 is a rear, perspective view thereof;
FIG. 3 is a front view thereof;
FIG. 4 is a rear view thereof;
FIG. 5 is a top view thereof;
FIG. 6 is a bottom view thereof;
FIG. 7 is a right side view thereof; and,
FIG. 8 is a left side view thereof.

1 Claim, 4 Drawing Sheets



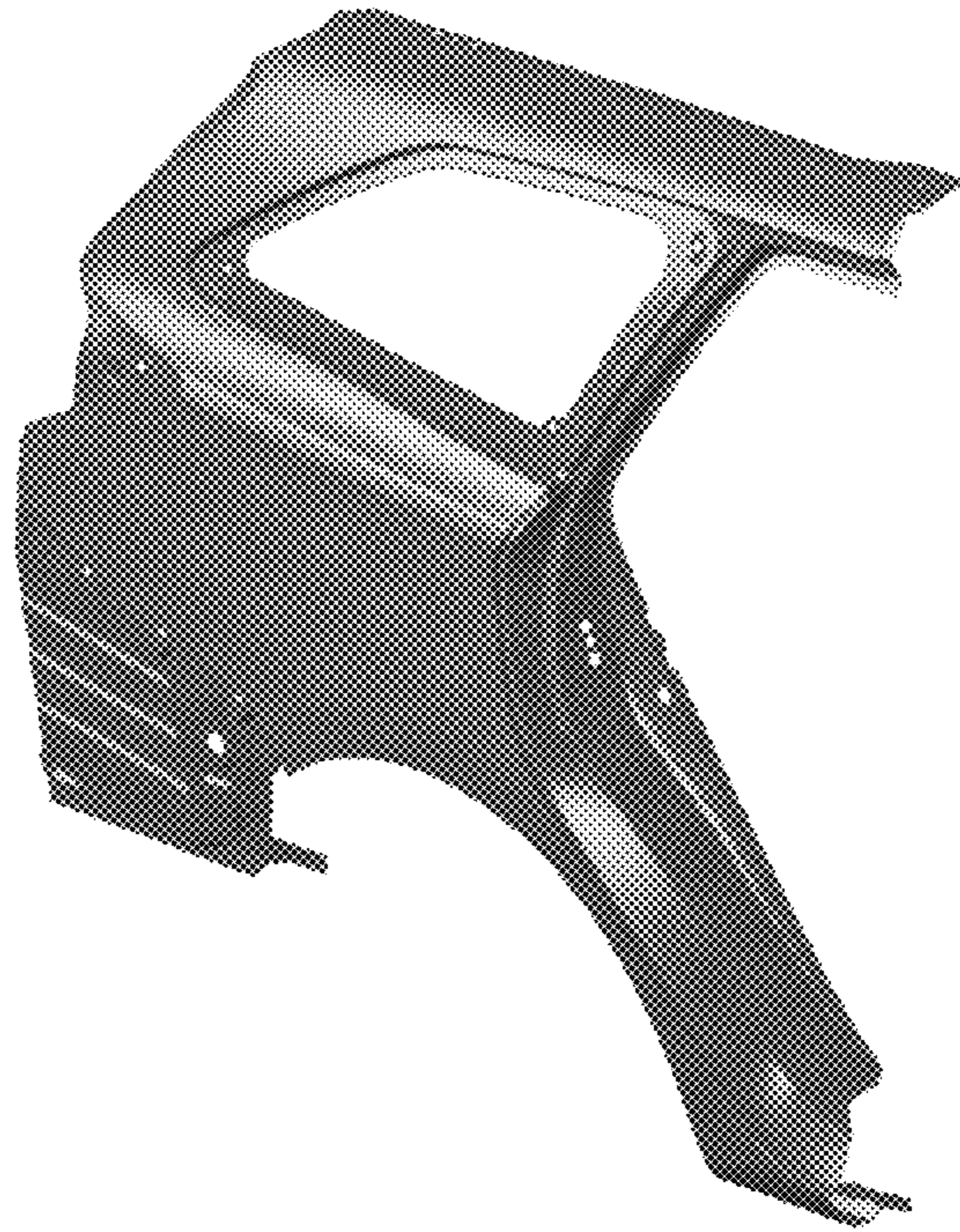


FIG. 1



FIG. 2

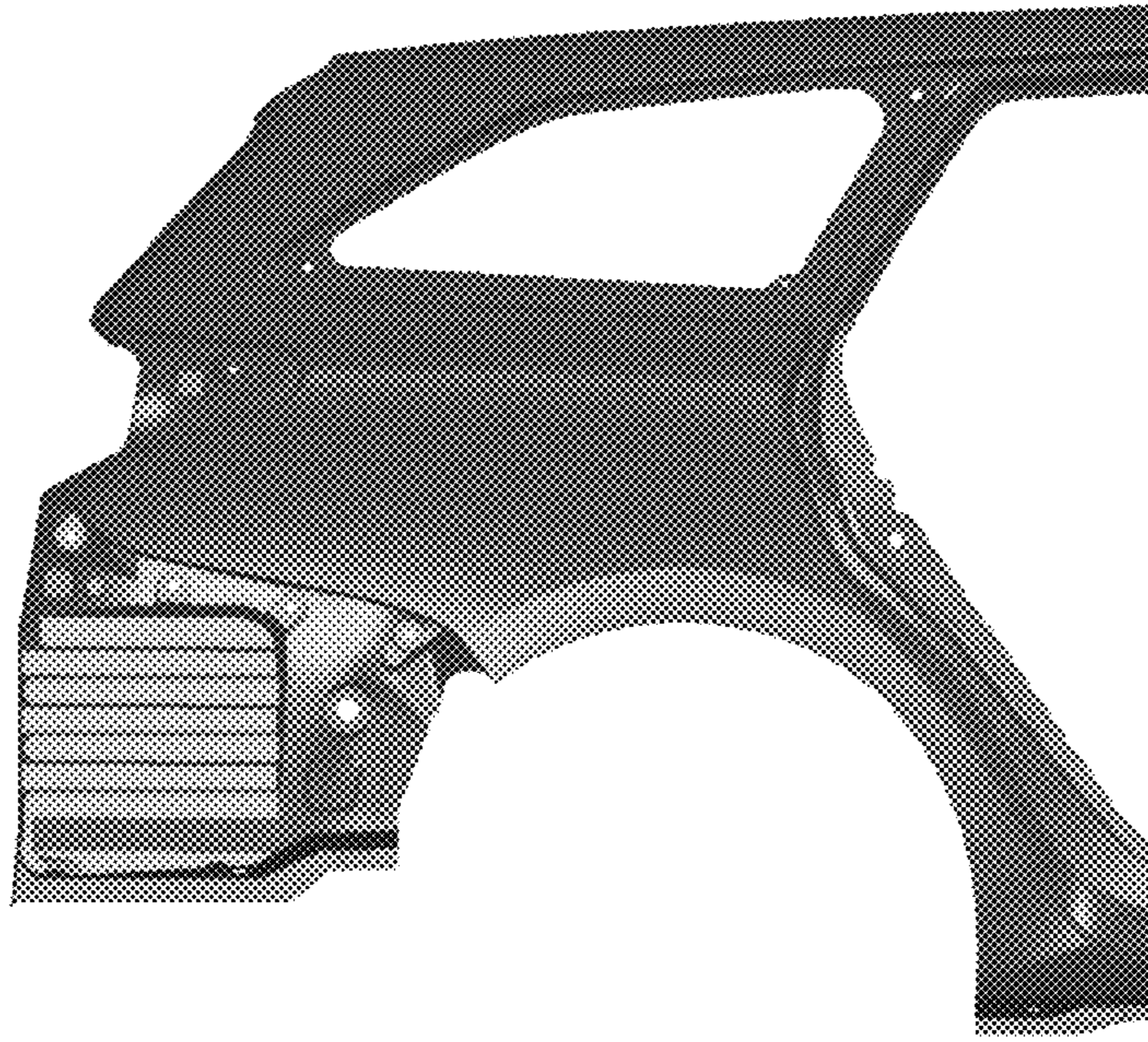


FIG. 3

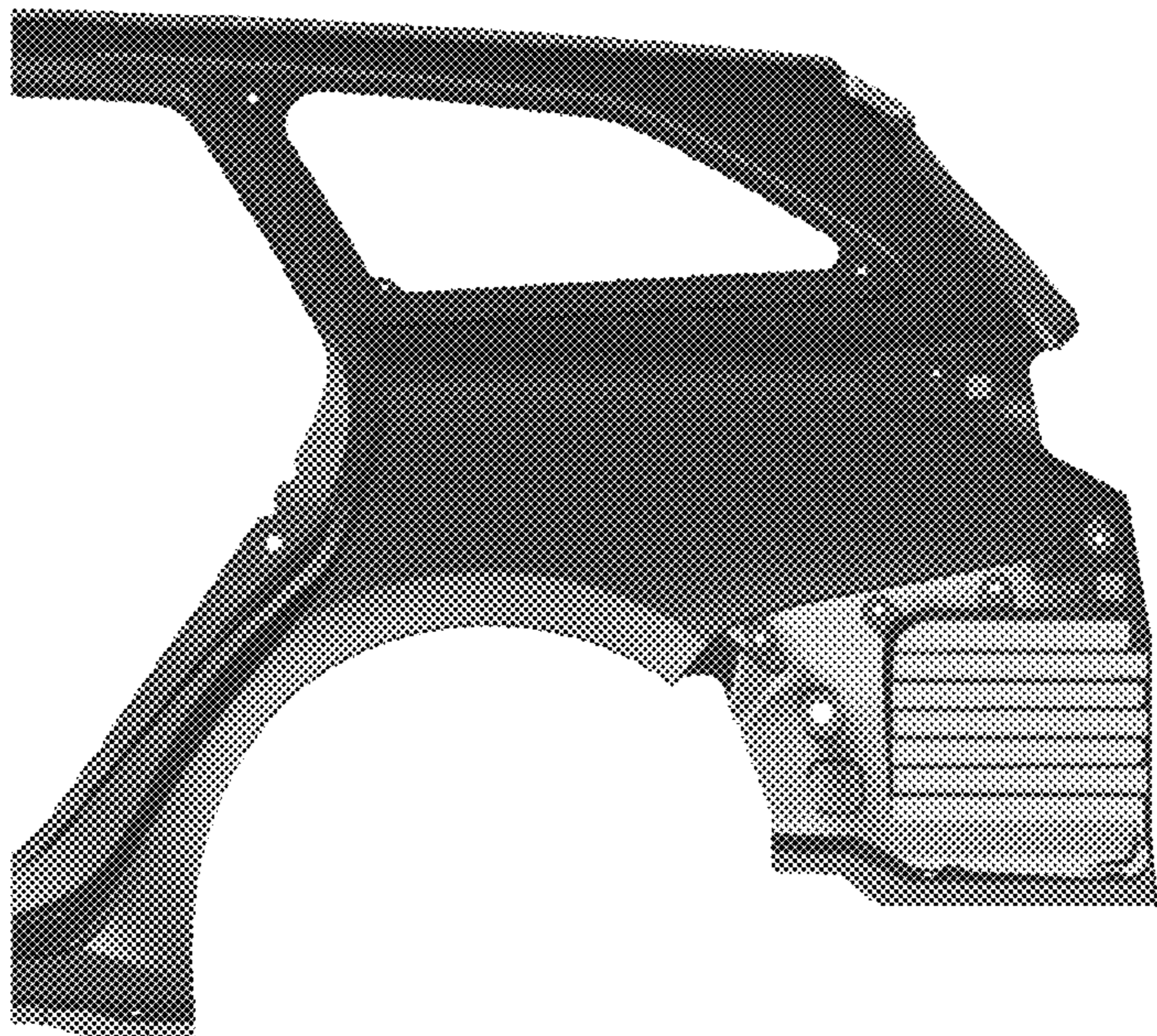


FIG. 4

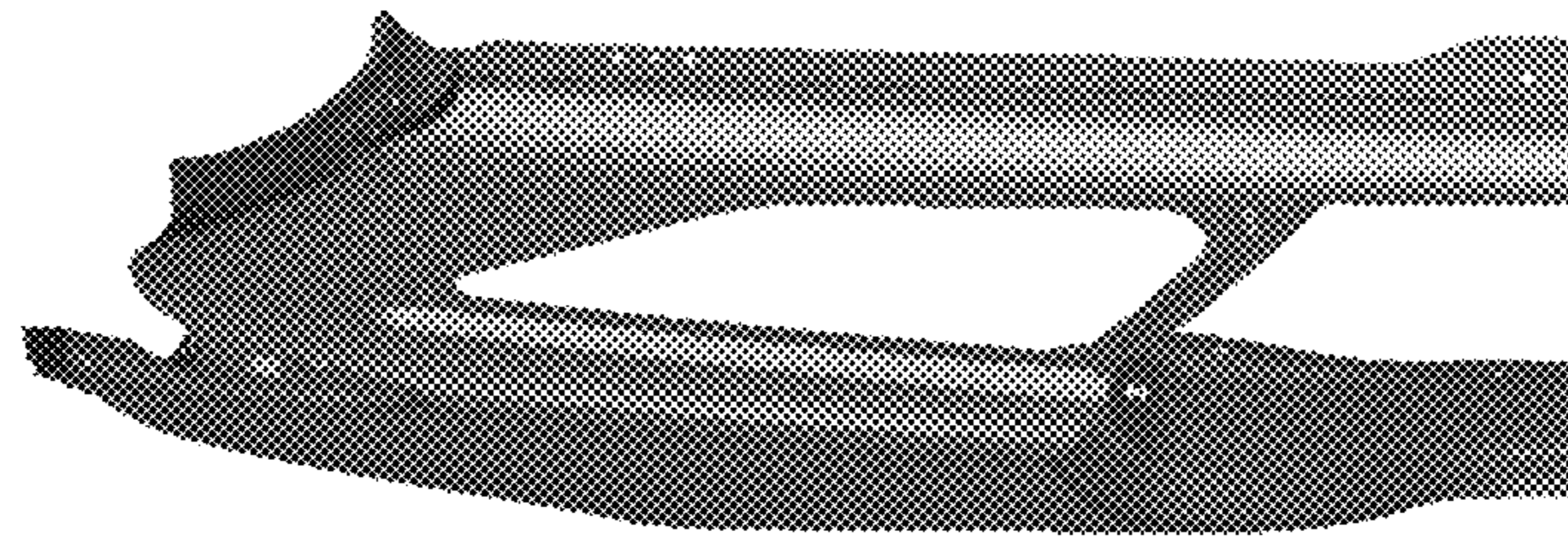


FIG. 5

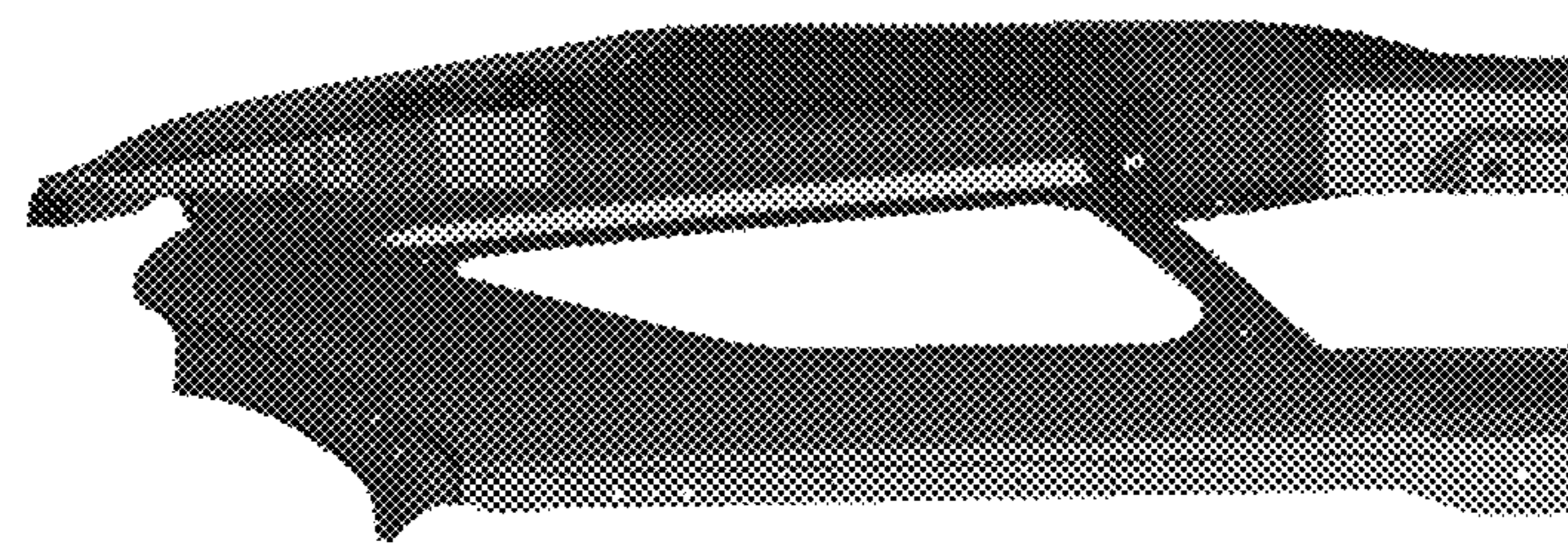


FIG. 6

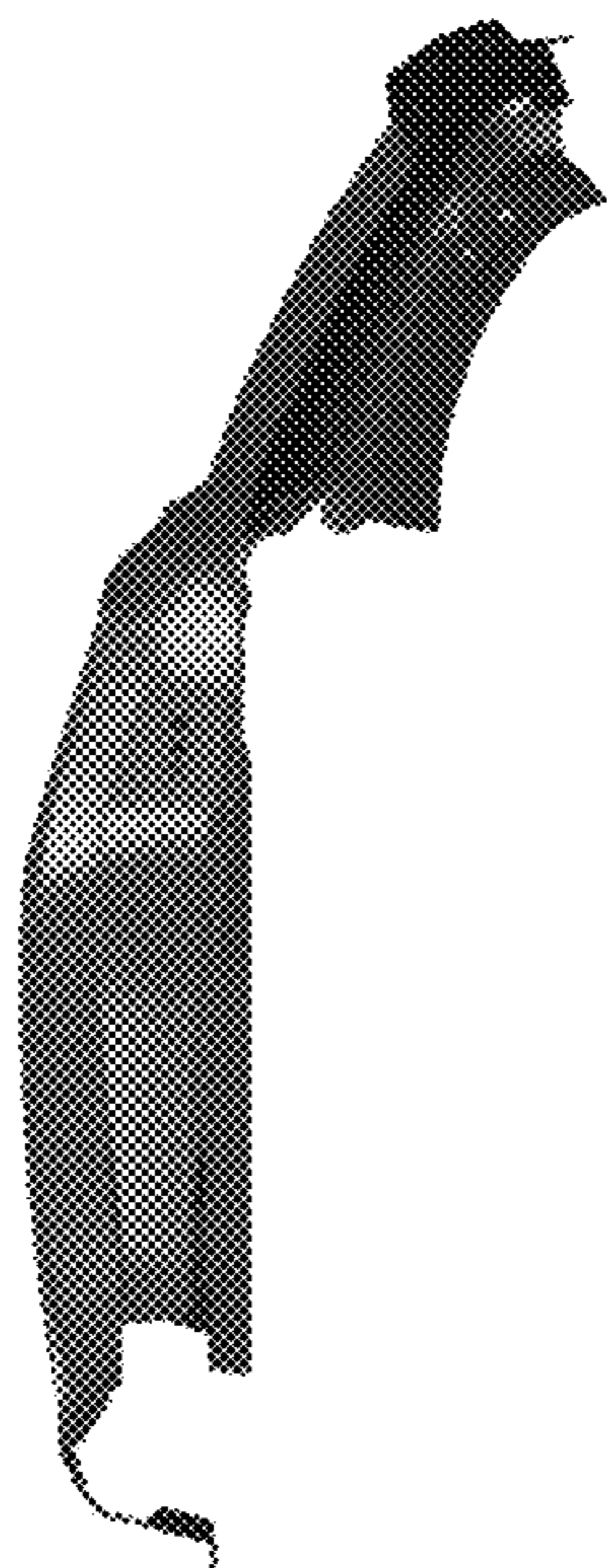


FIG. 7

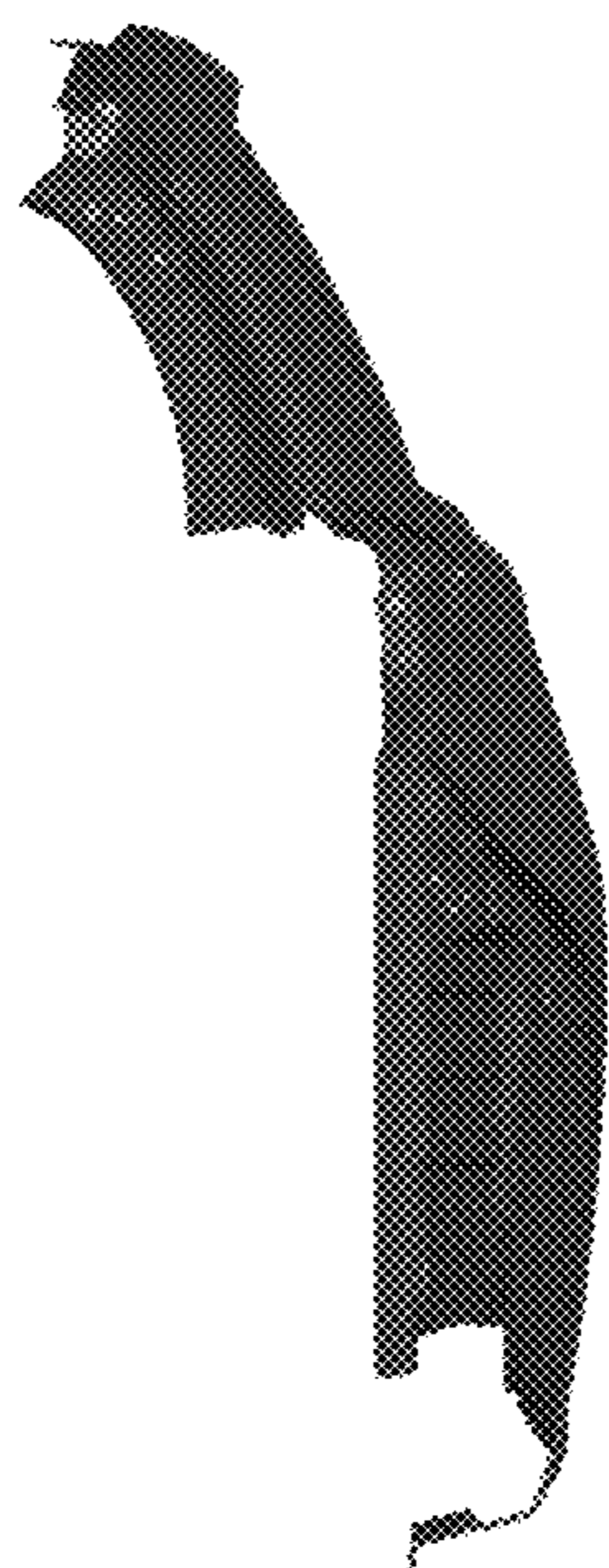


FIG. 8