

US00D696168S

(12) **United States Design Patent**
Ito

(10) **Patent No.:** **US D696,168 S**
(45) **Date of Patent:** **** Dec. 24, 2013**

(54) **BUMPER FOR AN AUTOMOBILE**

D639,215 S * 6/2011 Faghihzadeh D12/169
D640,613 S * 6/2011 Bauer et al. D12/169
D683,671 S * 6/2013 Platto et al. D12/169

(71) Applicants: **Toyota Jidosha Kabushiki Kaisha,**
Toyota (JP); **Fuji Jukogyo Kabushiki**
Kaisha, Tokyo (JP)

OTHER PUBLICATIONS

(72) Inventor: **Takanori Ito,** Miyoshi (JP)

Toyota, Toyota FT-86 Concept, Netcarshow.com, http://www.netcarshow.com/toyota/2009-ft-86_concept/800x600/wallpaper_07.htm, available at least as early as Sep. 30, 2010.

(73) Assignees: **Toyota Jidosha Kabushiki Kaisha (JP);**
Fuji Jukogyo Kabushiki Kaisha (JP)

Toyota, Toyota FT-HS, Netcarshow.com, http://www.netcarshow.com/toyota/2007-ft-hs_concept/800x600/wallpaper_id.htm, available at least as early as Sep. 30, 2010.

(**) Term: **14 Years**

Mitsubishi, Mitsubishi Lancer Evolution X, Netcarshow.com, http://www.netcarshow.com/mitsubishi/2008-lancer_evolution_x/800x600/wallpaper_61.htm, available at least as early as Nov. 1, 2008.

(21) Appl. No.: **29/435,694**

Subaru, Subaru Impreza WRX STI 4 Door, Car Watch, (A) http://car.watch.impress.co.jp/docs/news/20100701_377420.html, (B) <http://car.watch.impress.co.jp/img/car/docs/377/420/html/stioi.jpg.html>, Jul. 1, 2010.

(22) Filed: **Oct. 26, 2012**

Related U.S. Application Data

(62) Division of application No. 29/400,085, filed on Aug. 23, 2011, now Pat. No. Des. 680,473.

* cited by examiner

(30) **Foreign Application Priority Data**

Primary Examiner — Melody Brown

Feb. 28, 2011 (JP) 2011-004265

(74) *Attorney, Agent, or Firm* — SAIDMAN DesignLaw Group

(51) **LOC (9) Cl.** **12-16**

(52) **U.S. Cl.**
USPC **D12/169**

(58) **Field of Classification Search**
USPC D12/169, 196, 171, 216, 163, 86,
D12/90-92; 293/102, 113, 115, 117, 120;
296/180.1, 180.2
See application file for complete search history.

(57) **CLAIM**

The ornamental design for a bumper for an automobile, as shown and described.

DESCRIPTION

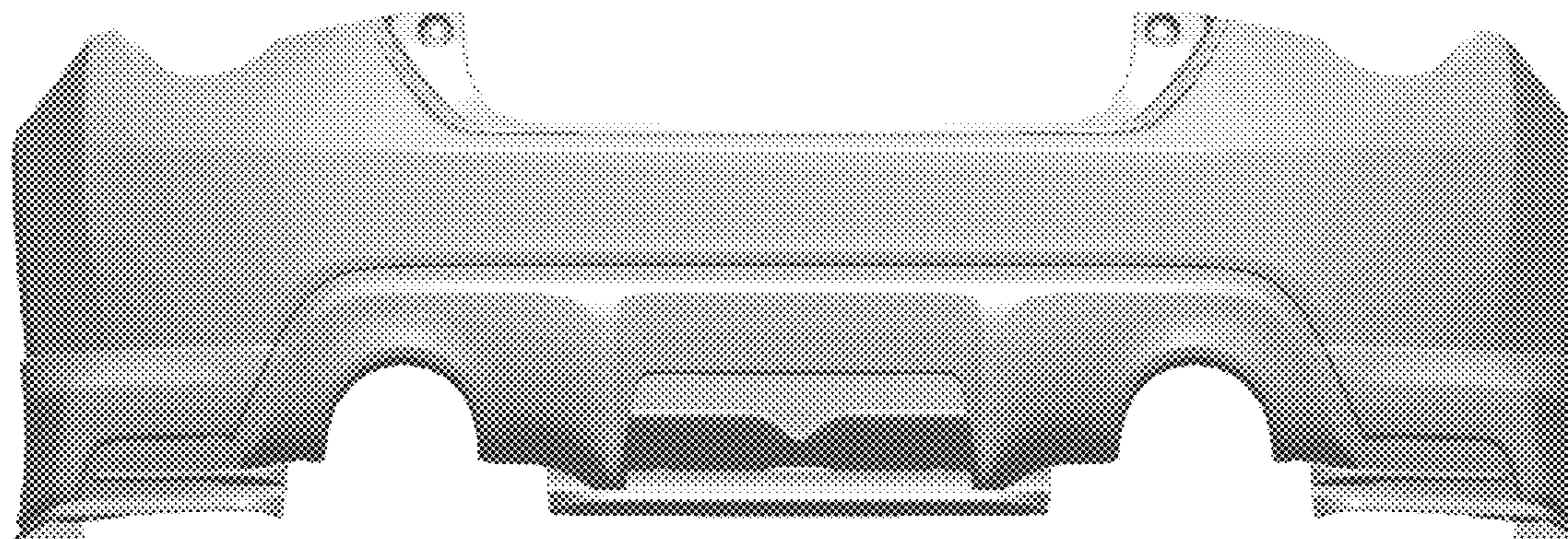
(56) **References Cited**

FIG. 1 is a perspective view of a bumper for an automobile showing my new design;
FIG. 2 is a front view thereof;
FIG. 3 is a top view thereof;
FIG. 4 is a bottom view thereof;
FIG. 5 is a left side view thereof; and,
FIG. 6 is a right side view thereof.

U.S. PATENT DOCUMENTS

D630,976 S * 1/2011 Clottu D12/169

1 Claim, 3 Drawing Sheets



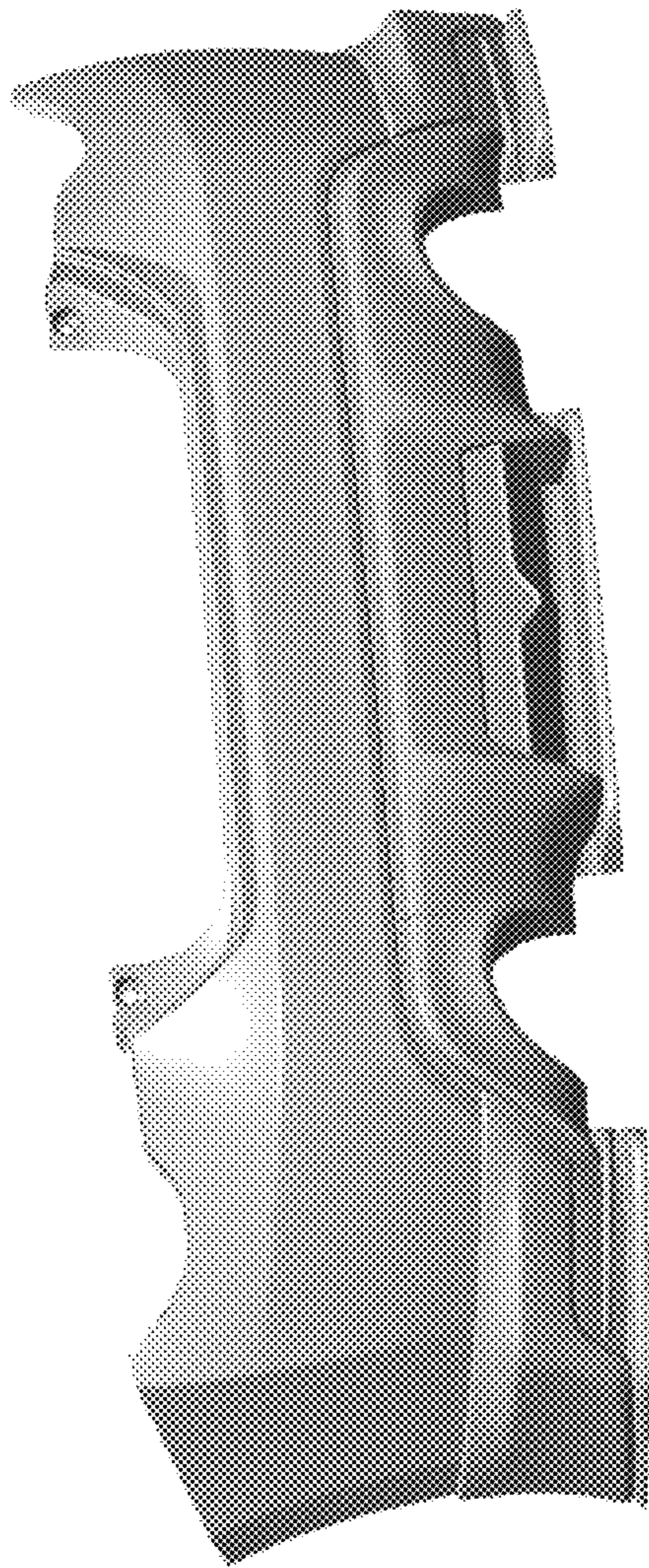


FIG. 1

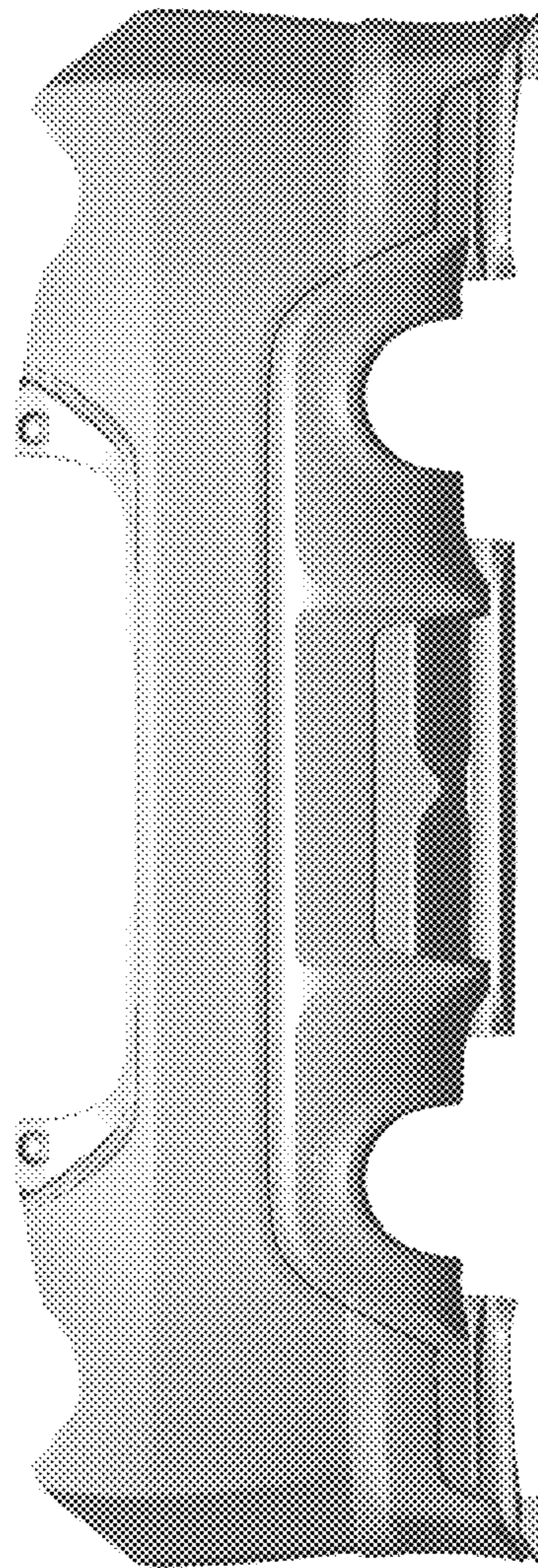


FIG. 2

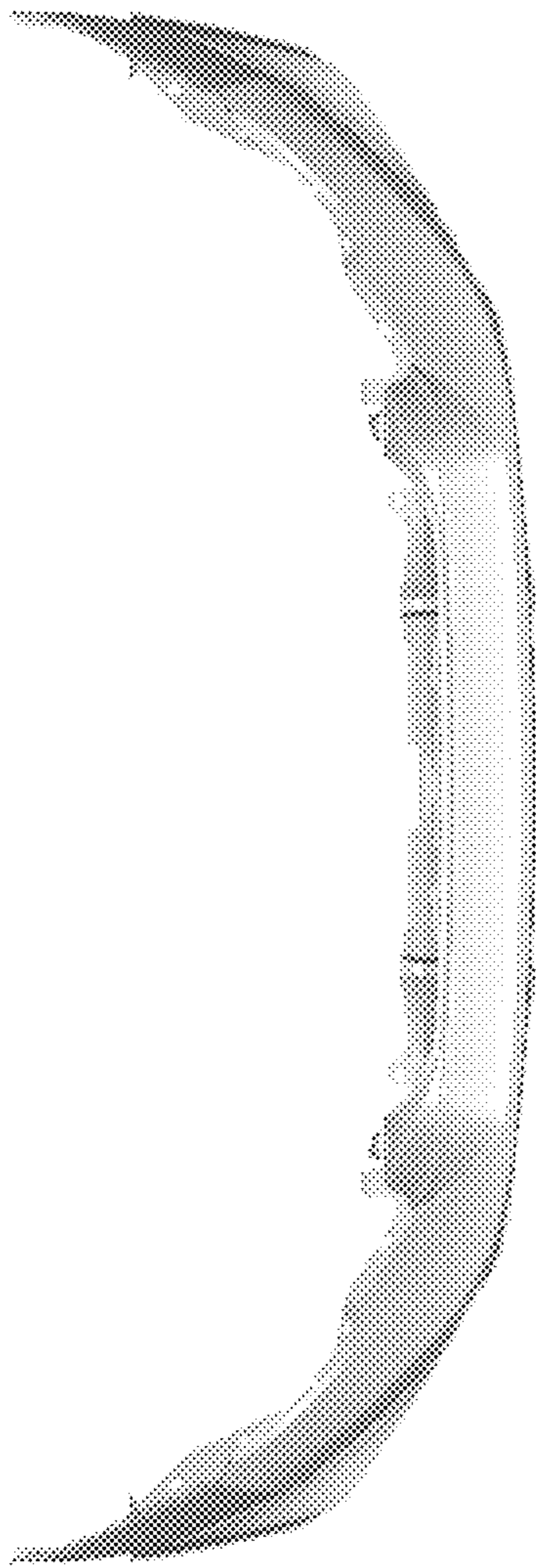


FIG. 3

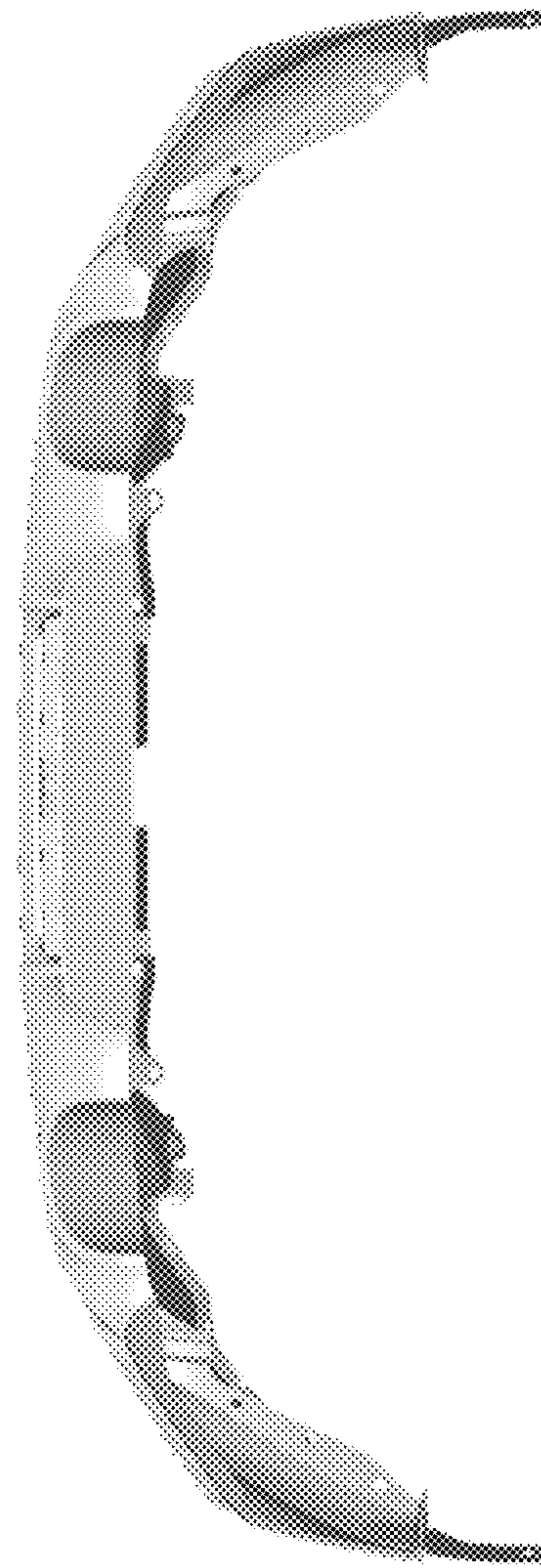


FIG. 4

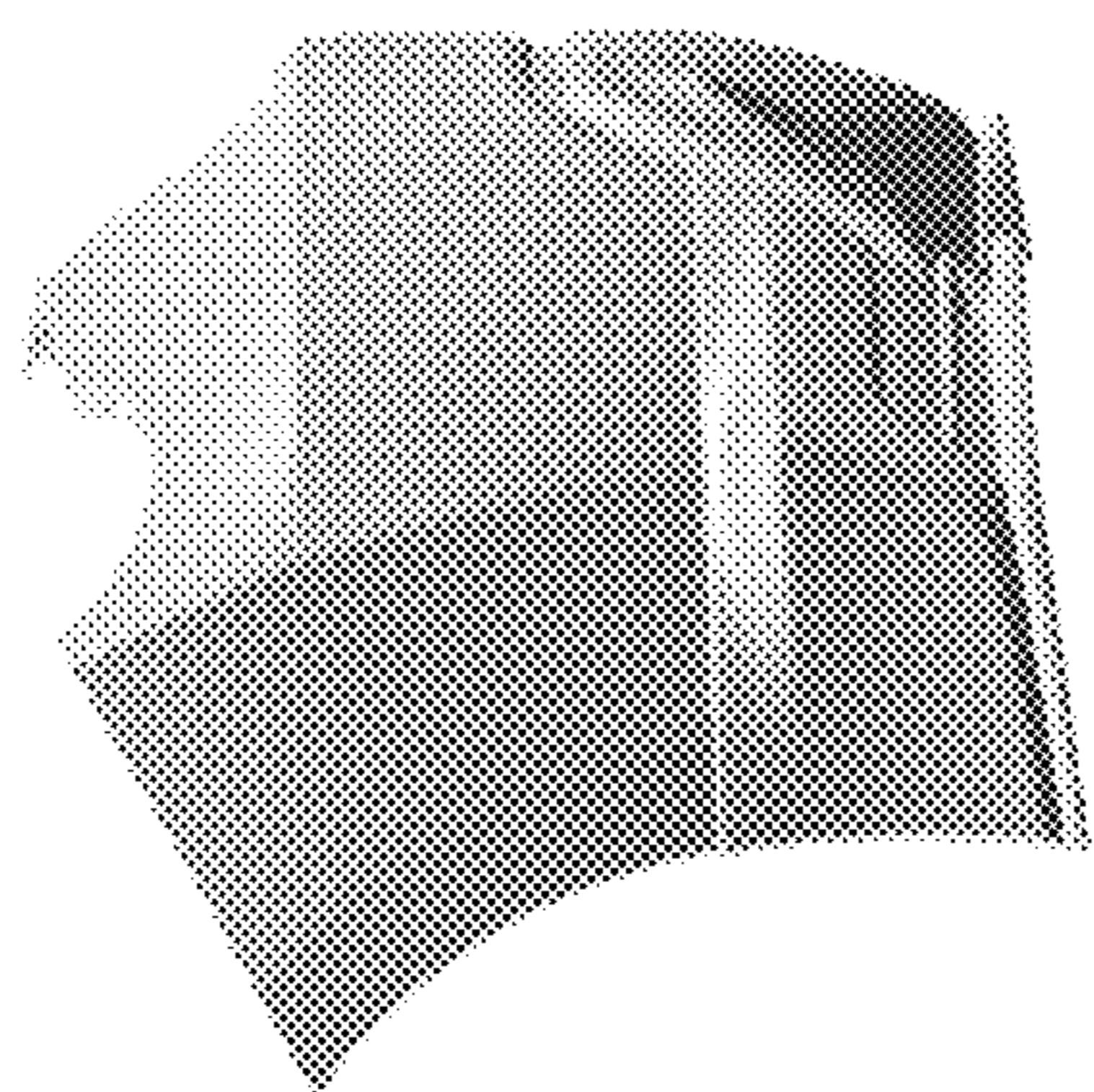


FIG. 5

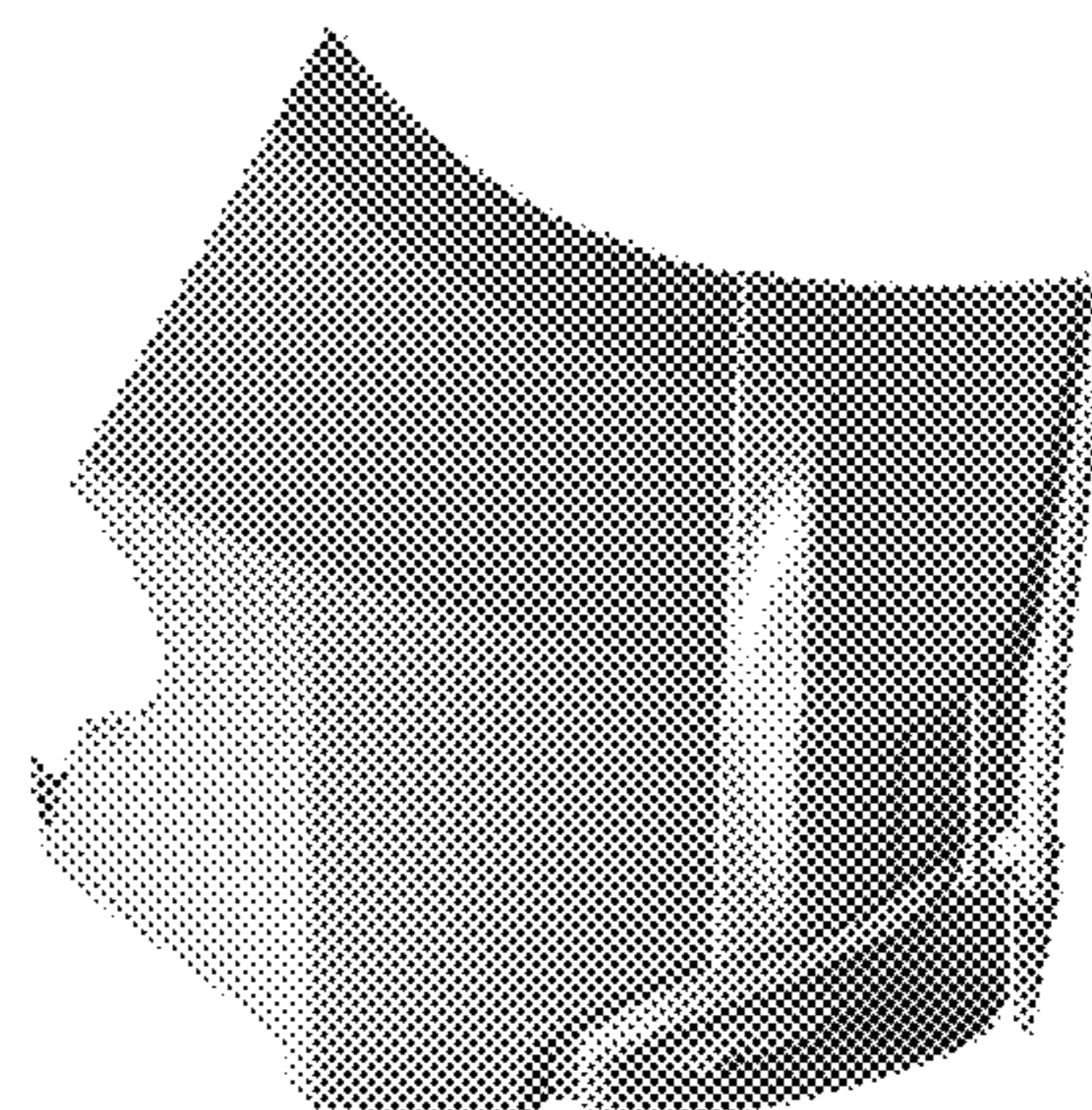


FIG. 6