



US00D696165S

(12) **United States Design Patent**
Campbell et al.

(10) **Patent No.:** **US D696,165 S**
(45) **Date of Patent:** **** Dec. 24, 2013**

(54) **VEHICLE HOOD GRILLE**
(71) Applicant: **Ford Global Technologies, LLC**,
Dearborn, MI (US)
(72) Inventors: **Paul Campbell**, Essex (GB); **Jordan**
Bennett, London (GB)
(73) Assignee: **Ford Motor Company**, Dearborn, MI
(US)
(**) Term: **14 Years**

D393,980 S * 5/1998 Kellermann D7/409
D501,808 S * 2/2005 Otto et al. D12/163
D537,935 S * 3/2007 Schluter et al. D23/412
D539,194 S * 3/2007 Moses D12/163
D547,705 S * 7/2007 Marchese et al. D12/163
D567,154 S * 4/2008 Cunningham D12/163
D573,612 S * 7/2008 Braun et al. D15/89
D578,444 S * 10/2008 Kuo D12/163
D581,508 S * 11/2008 Miyake et al. D23/371
D589,853 S * 4/2009 Saridakis et al. D12/163
D633,832 S * 3/2011 Matei et al. D12/163
D685,694 S * 7/2013 Platto et al. D12/163
D686,116 S * 7/2013 Karras et al. D12/163
2003/0027516 A1 * 2/2003 Mafi et al. 454/276

(21) Appl. No.: **29/435,940**
(22) Filed: **Oct. 31, 2012**

(30) **Foreign Application Priority Data**
May 4, 2012 (DE) 402012100339
(51) **LOC (9) Cl.** **12-16**
(52) **U.S. Cl.**
USPC **D12/163**
(58) **Field of Classification Search**
USPC D12/56, 90, 91, 92, 163, 164, 169, 196,
D12/171, 173, 216; 180/68.1, 68.6;
296/187.09, 193.1; D15/89; D23/354,
D23/371, 385, 387, 388, 393, 412;
D25/155; D26/59, 72, 120, 121;
D6/703.5, 409; 293/115; 454/155
See application file for complete search history.

(56) **References Cited**
U.S. PATENT DOCUMENTS
D29,043 S * 7/1898 Price D6/494
D290,746 S * 7/1987 Whitley, II D23/388
4,712,501 A * 12/1987 Whitley, II 114/211
5,275,249 A * 1/1994 Nelson 180/69.2
D351,903 S * 10/1994 Whitley, II D23/388
D357,732 S * 4/1995 Spechts et al. D23/388

OTHER PUBLICATIONS

BMC Black Mamba Hood Vents—45 Degree Carbon Fiber (10-12 All). www.americanmuscle.com. Apr. 20, 2012 [online], [retrieved on Jan. 17, 2013]. Retrieved from the Internet <URL: <http://www.americanmuscle.com/bmc-hood-vents-cf.html>>.*

(Continued)

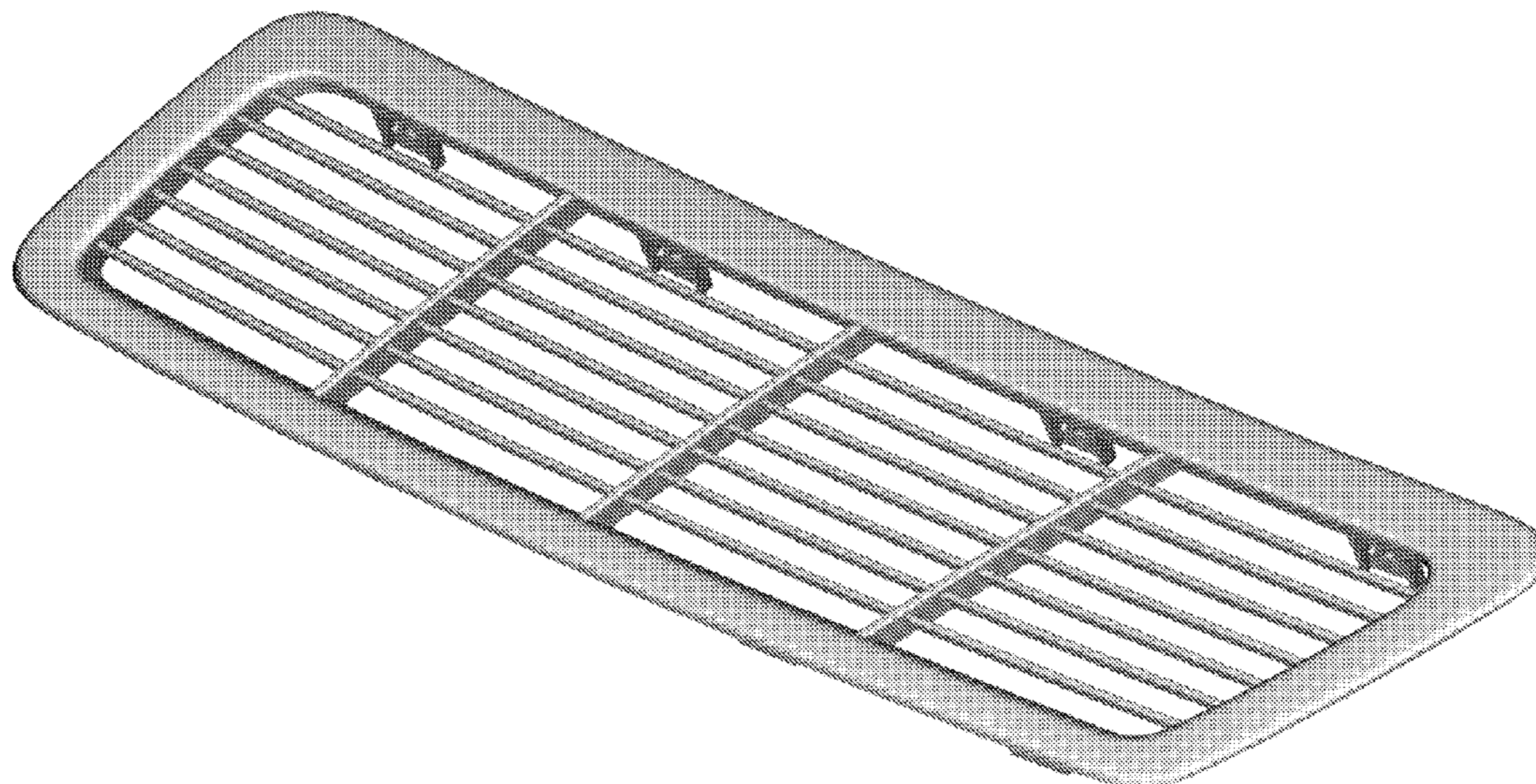
Primary Examiner — Philip S Hyder
Assistant Examiner — Darlington Ly
(74) *Attorney, Agent, or Firm* — Damian Porcari

(57) **CLAIM**
The ornamental design for a vehicle hood grille, as shown and described.

DESCRIPTION

FIG. 1 is a left side elevation view of the vehicle hood grille; FIG. 2 is a right side elevation view thereof; FIG. 3 is a front elevation view thereof; FIG. 4 is a top plan view thereof; FIG. 5 is a bottom plan view thereof; FIG. 6 is a top, front, and left side perspective view thereof; and, FIG. 7 is a top, front, and right side perspective view thereof.

1 Claim, 7 Drawing Sheets



(56)

References Cited

<URL: [http://www.camaro5.com/forums/showthread.](http://www.camaro5.com/forums/showthread.php?t=273161)

OTHER PUBLICATIONS

php?t=273161>.*

huntern6. Hex vent . . .feeler. www.camaro5.com. Jan. 25, 2013
[online], [retrieved on Jan. 17, 2013]. Retrieved from the Internet

* cited by examiner

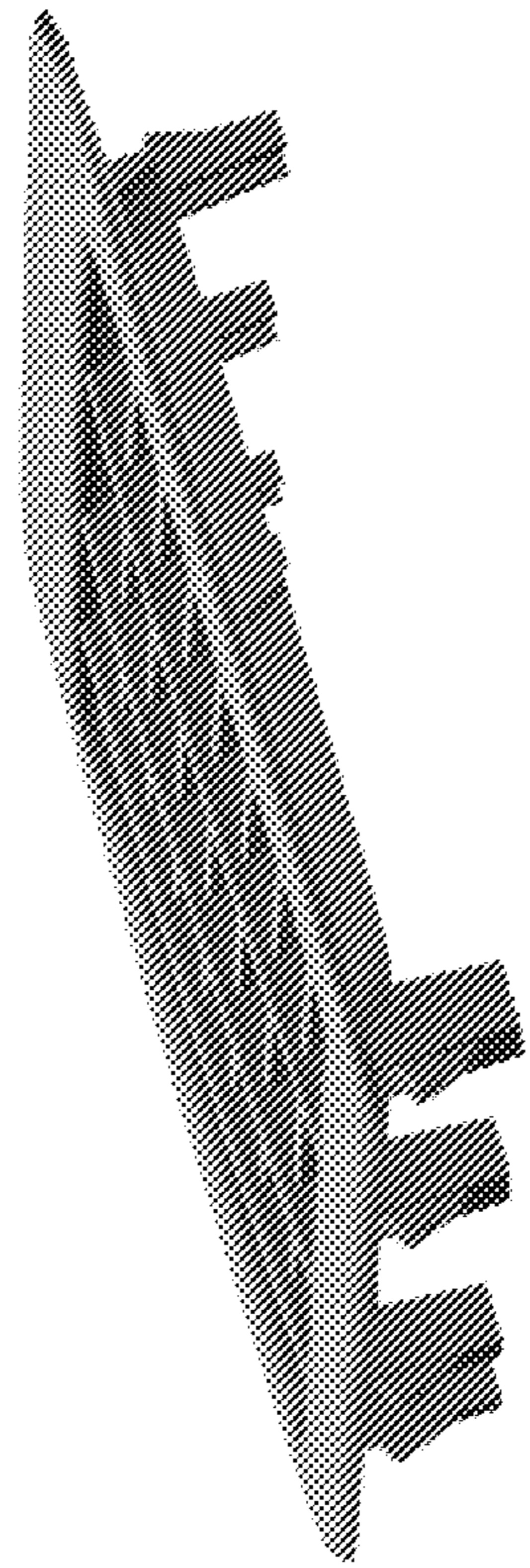


Figure 1

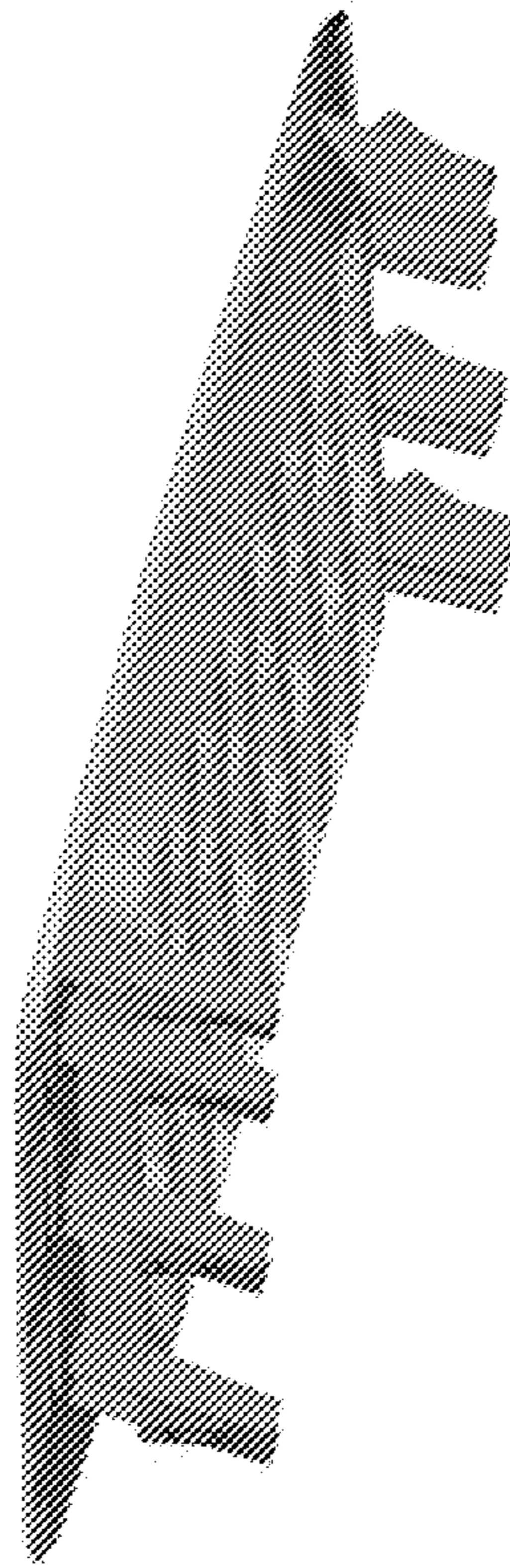


Figure 2

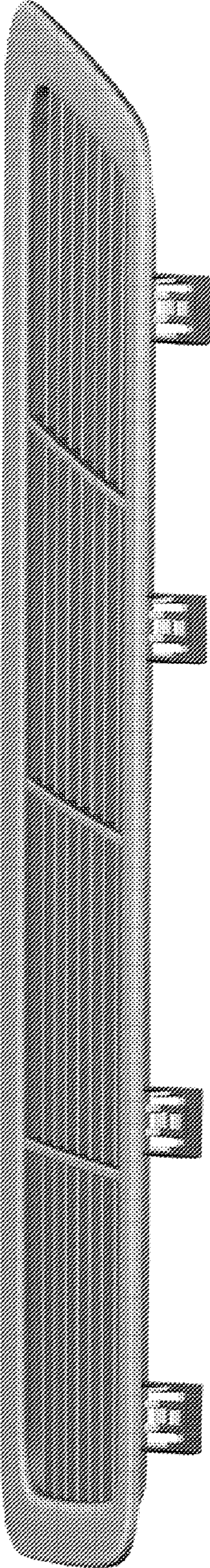


Figure 3

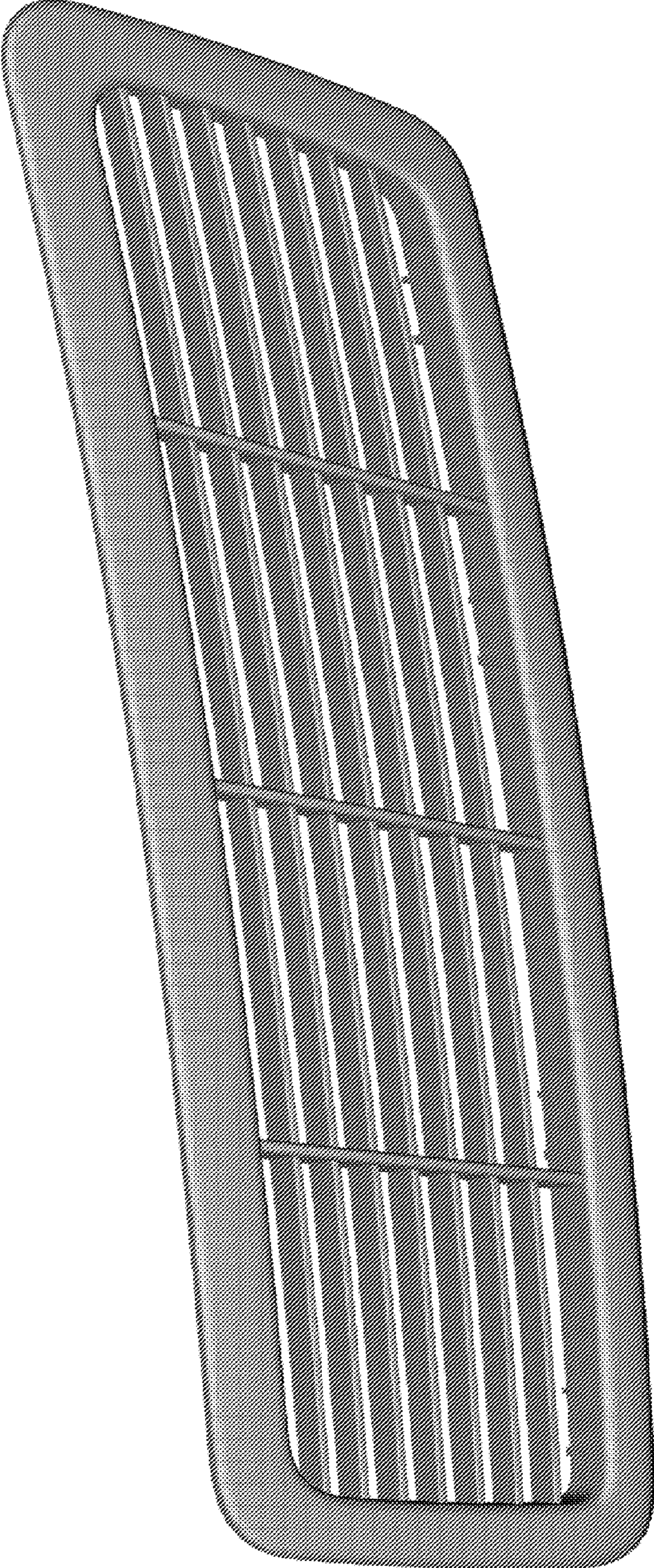
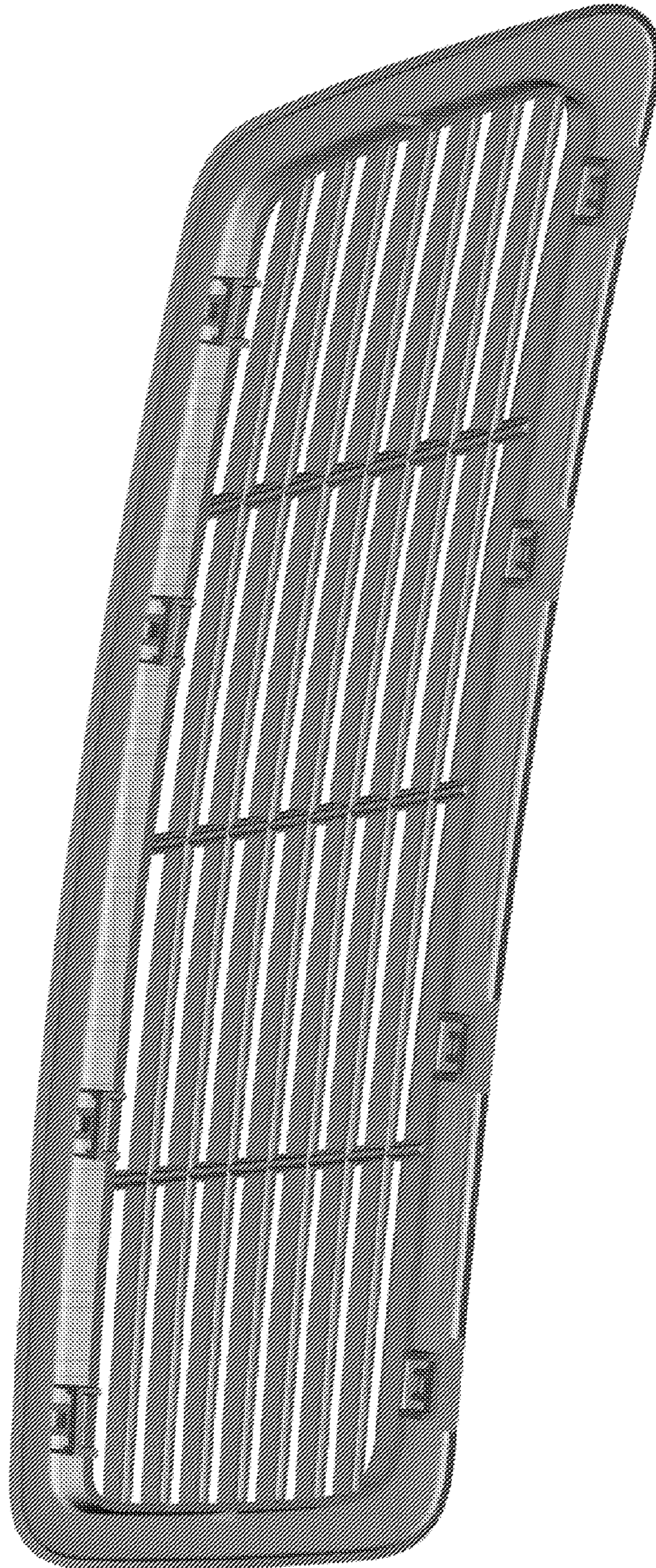


Figure 4

Figure 5



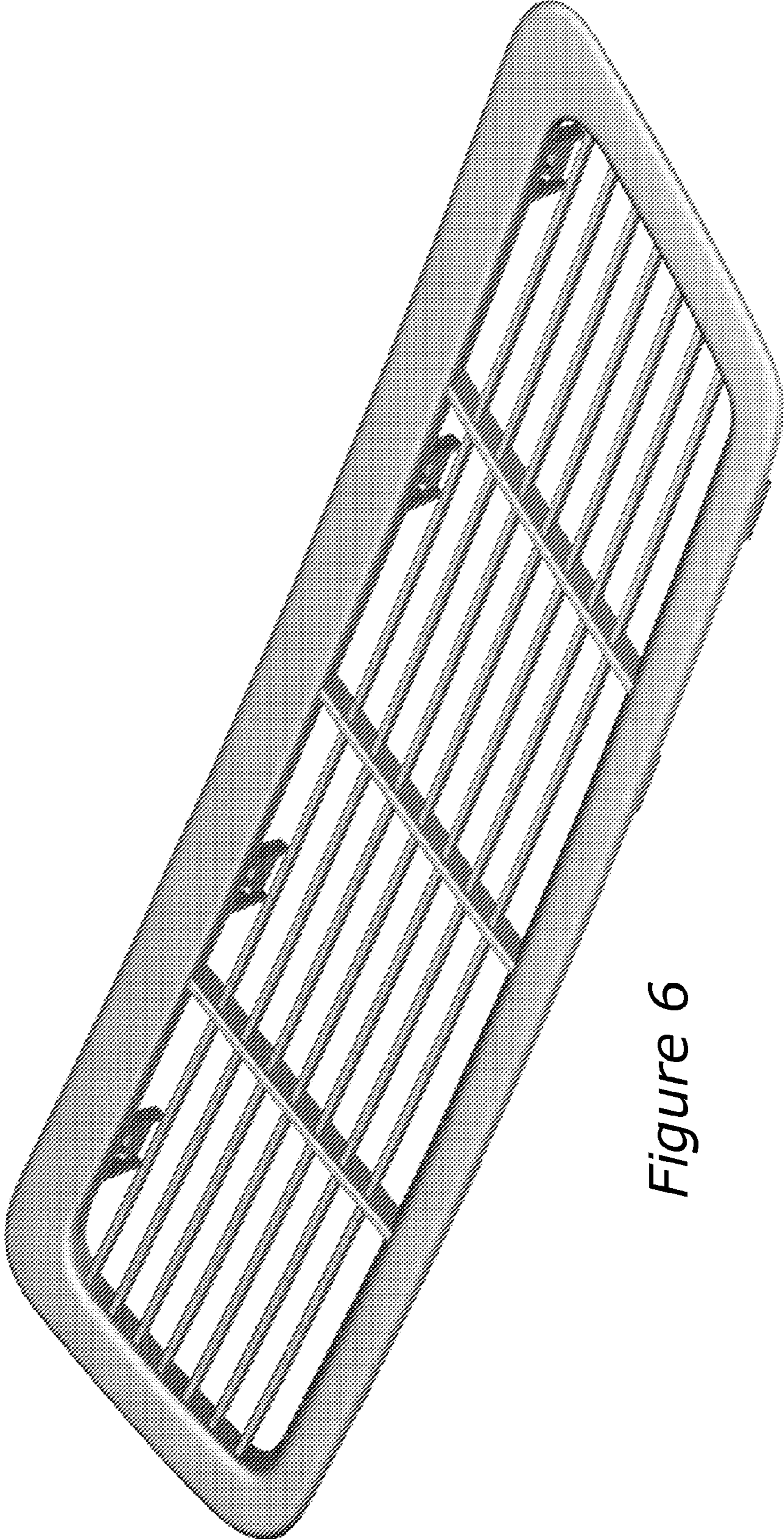


Figure 6

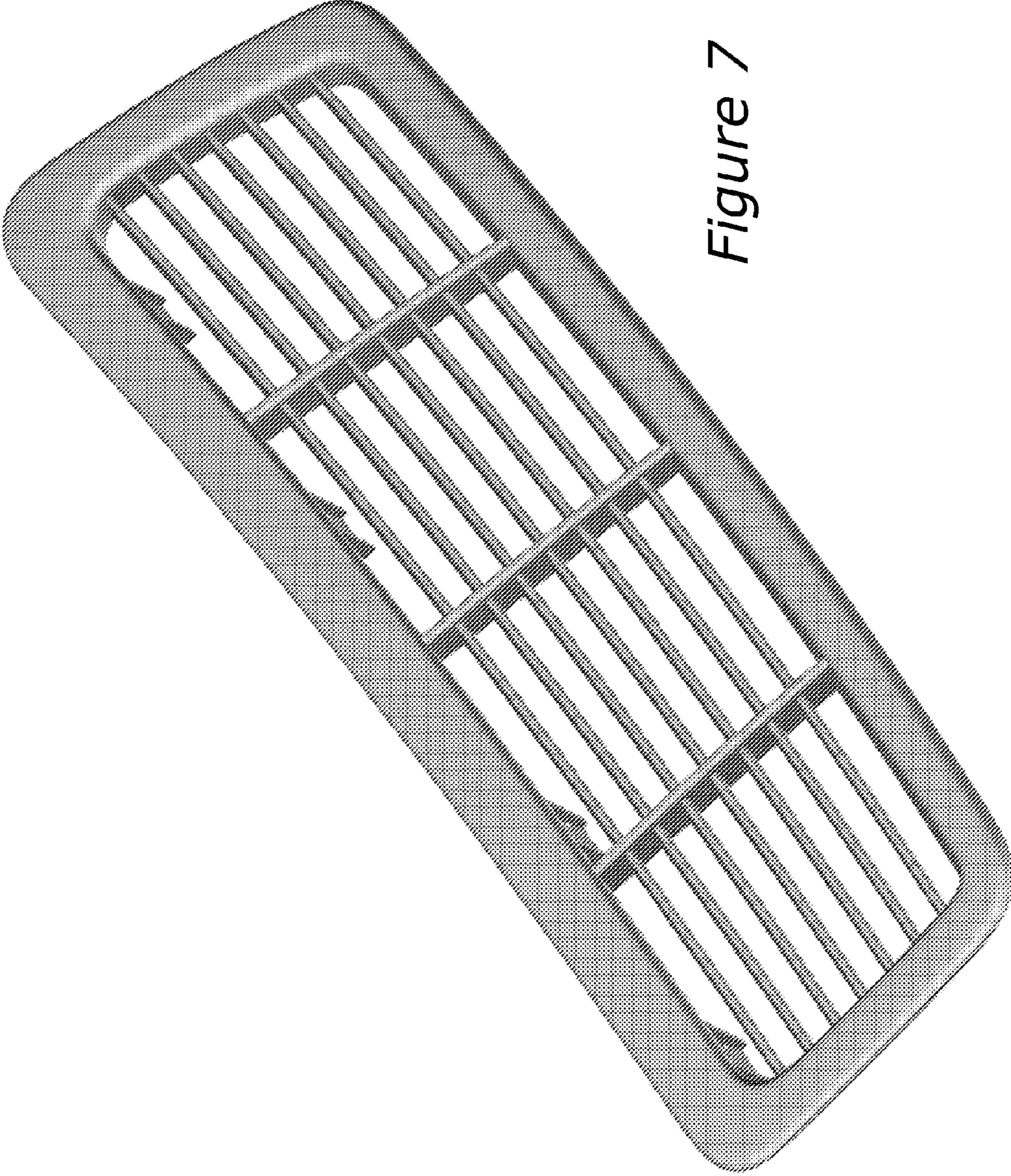


Figure 7