

US00D696164S

(12) **United States Design Patent**
Townsend

(10) **Patent No.:** **US D696,164 S**
(45) **Date of Patent:** **** Dec. 24, 2013**

(54) **HOLDER FOR A TRAILER HITCH BALL MOUNT ASSEMBLY**

(76) Inventor: **Christopher Townsend**, Rolling Meadows, IL (US)

(**) Term: **14 Years**

(21) Appl. No.: **29/429,270**

(22) Filed: **Aug. 8, 2012**

Related U.S. Application Data

(63) Continuation of application No. 29/382,839, filed on Jan. 7, 2011, now Pat. No. Des. 667,351.

(51) **LOC (9) Cl.** **12-16**

(52) **U.S. Cl.**
USPC **D12/162**

(58) **Field of Classification Search**
USPC D22/159, 160, 161, 162; 224/403, 557, 224/571; 280/480.1, 491.1, 491.3, 491.5; 211/134-153; D6/512-574; D8/349-381; 248/152, 174, 247, 300
See application file for complete search history.

(56) **References Cited**

U.S. PATENT DOCUMENTS

2,597,147	A	5/1952	Haseltine	
3,620,376	A	11/1971	Gingher	
4,711,106	A	12/1987	Johnson	
D321,453	S	11/1991	Ophardt	
5,174,539	A	12/1992	Leonard	
5,322,172	A	6/1994	Maglione	
D355,320	S	2/1995	Jauregui	
5,497,927	A	3/1996	Peterson	
5,682,998	A *	11/1997	McCoy et al.	206/485
6,070,441	A	6/2000	Bernstrom	
6,098,820	A	8/2000	Smith	
6,520,466	B1	2/2003	Blanchard et al.	
6,527,292	B2	3/2003	Adair	

6,669,156	B2	12/2003	East et al.
D530,124	S	10/2006	Ophardt et al.
D543,838	S	6/2007	Yoshiguchi
7,243,891	B2	7/2007	Wu et al.
D566,532	S	4/2008	Wolff
7,390,007	B2	6/2008	Helms et al.
7,455,278	B2	11/2008	Hsu
7,520,474	B1	4/2009	Condon
D603,249	S	11/2009	Richter
D608,181	S	1/2010	Koizumi
7,661,543	B1	2/2010	Townsend
D612,226	S	3/2010	Dinh
D615,387	S	5/2010	Prichard
D632,160	S	2/2011	Ketchersid
2002/0017770	A1	2/2002	Parrish

(Continued)

Primary Examiner — Michael A Pratt

(74) *Attorney, Agent, or Firm* — Harness, Dickey & Pierce, P.L.C.

(57) **CLAIM**

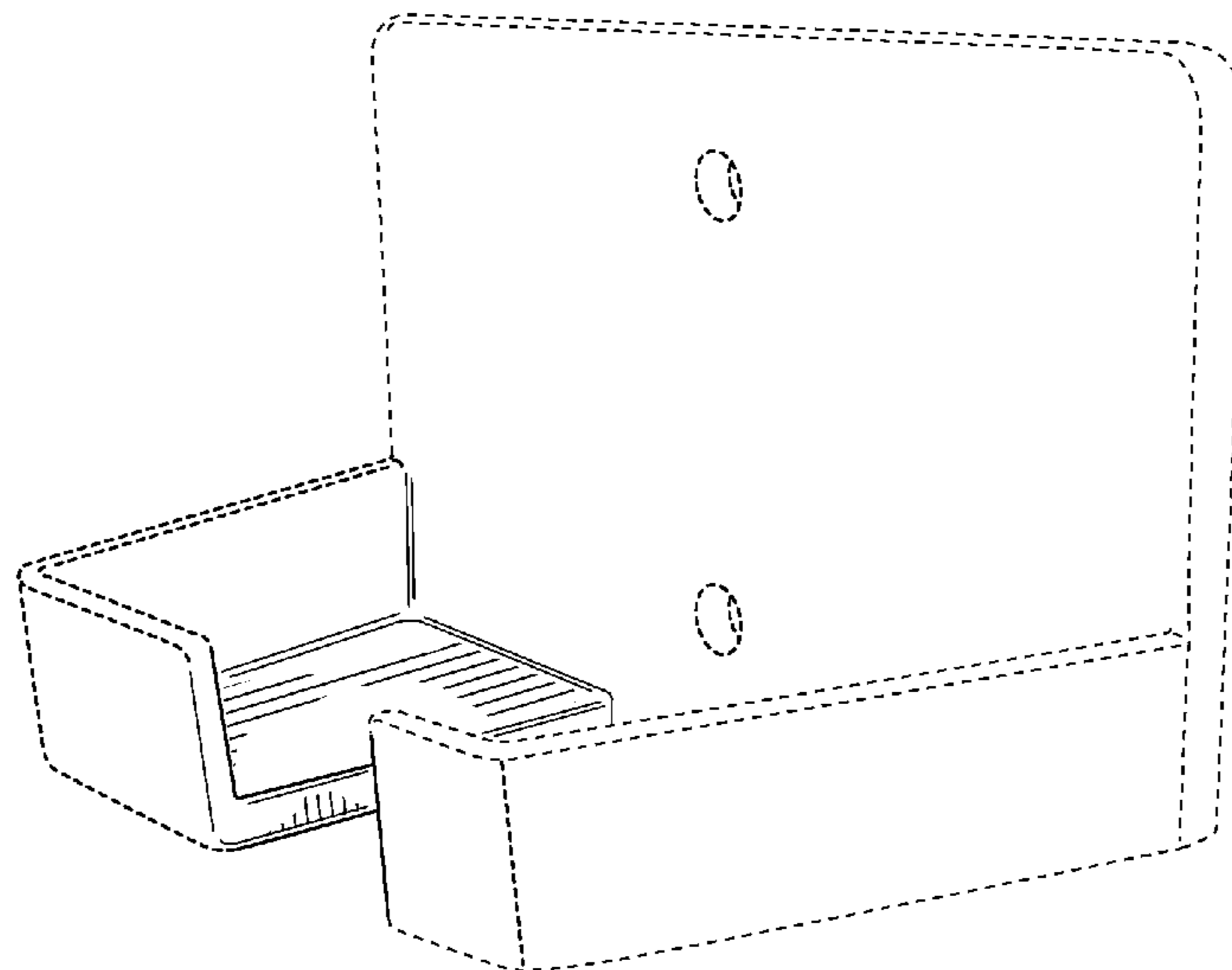
The ornamental design for a holder for a trailer hitch ball mount assembly, as shown and described.

DESCRIPTION

FIG. 1 is a right side perspective view of a holder for a trailer hitch ball mount assembly in accordance with my new design; FIG. 2 is a left side perspective view thereof; FIG. 3 is a front elevation view thereof; FIG. 4 is a rear elevation view thereof; FIG. 5 is a top plan view thereof; FIG. 6 is a bottom plan view thereof; FIG. 7 is a right side elevation view thereof; FIG. 8 is a left side elevation view thereof; and, FIG. 9 is a right side perspective view of the holder of FIG. 1, with the holder shown holding a trailer hitch ball mount assembly.

The details shown in broken lines are for illustrative purposed only and form no part of the claimed design.

1 Claim, 6 Drawing Sheets



US D696,164 S

Page 2

(56)

References Cited

U.S. PATENT DOCUMENTS

2003/0230608 A1 12/2003 Henry

2004/0150189 A1 8/2004 Deanda
2004/0156205 A1 8/2004 Piscioti
2005/0269468 A1 12/2005 Gough

* cited by examiner

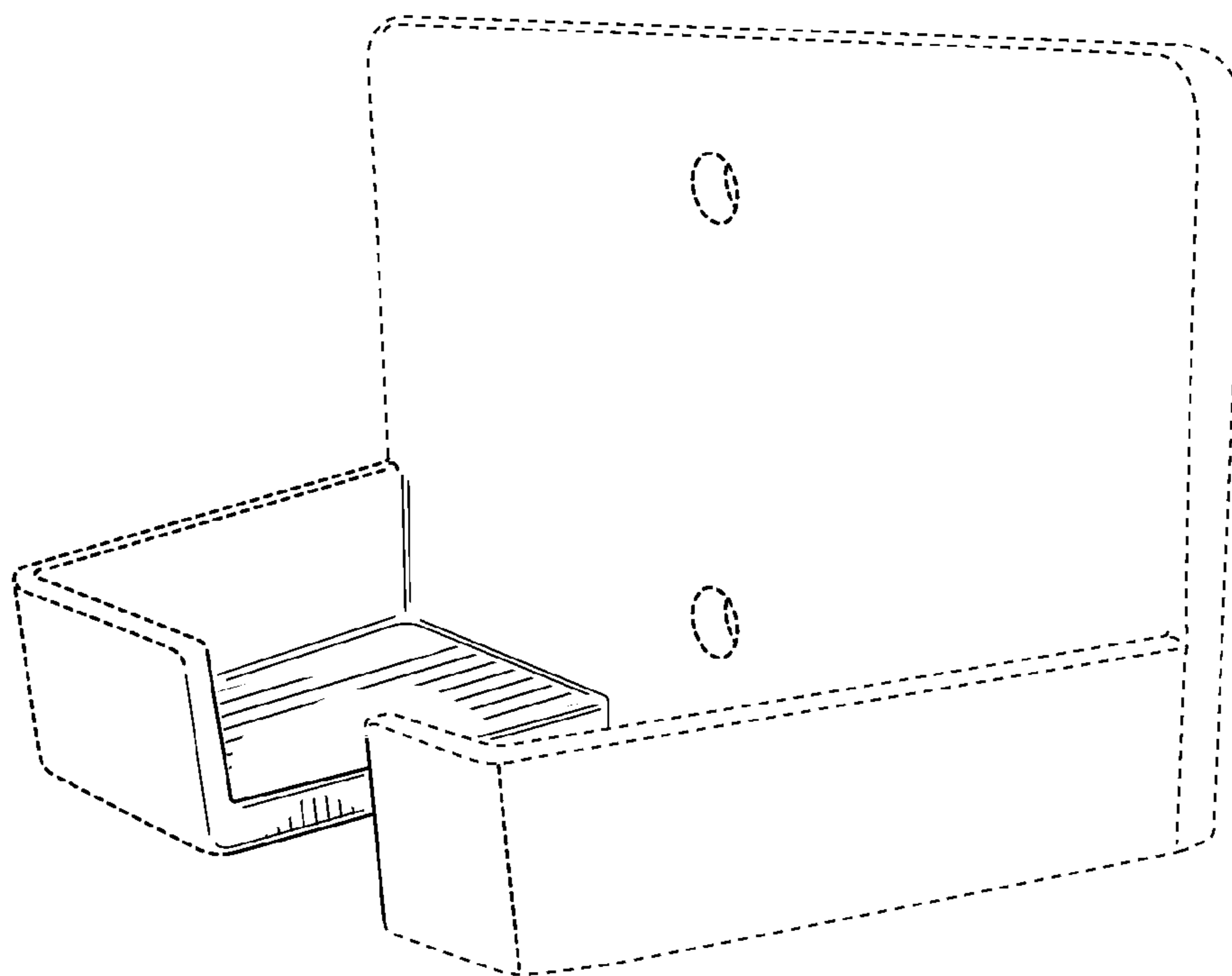


FIG. 1

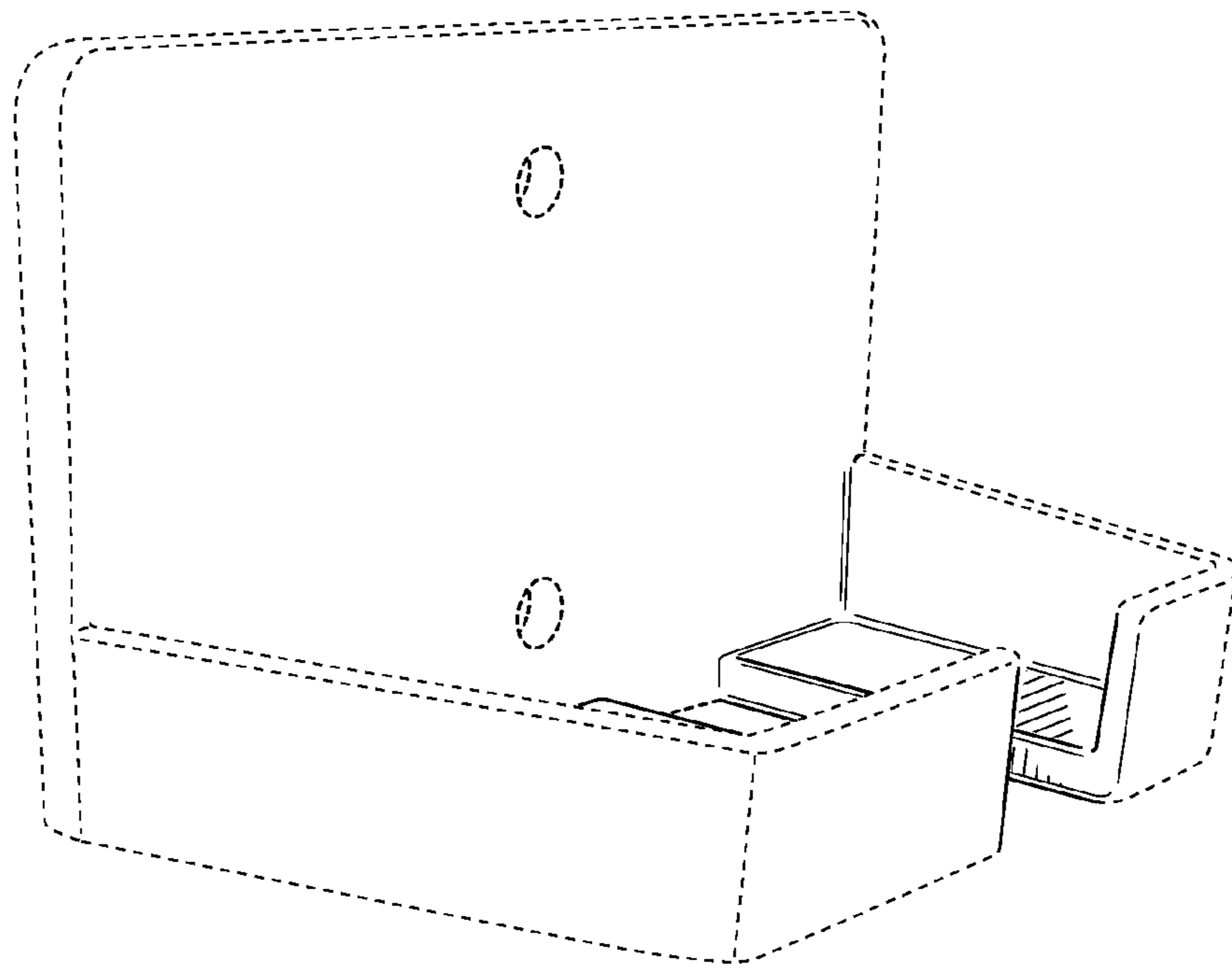


FIG. 2

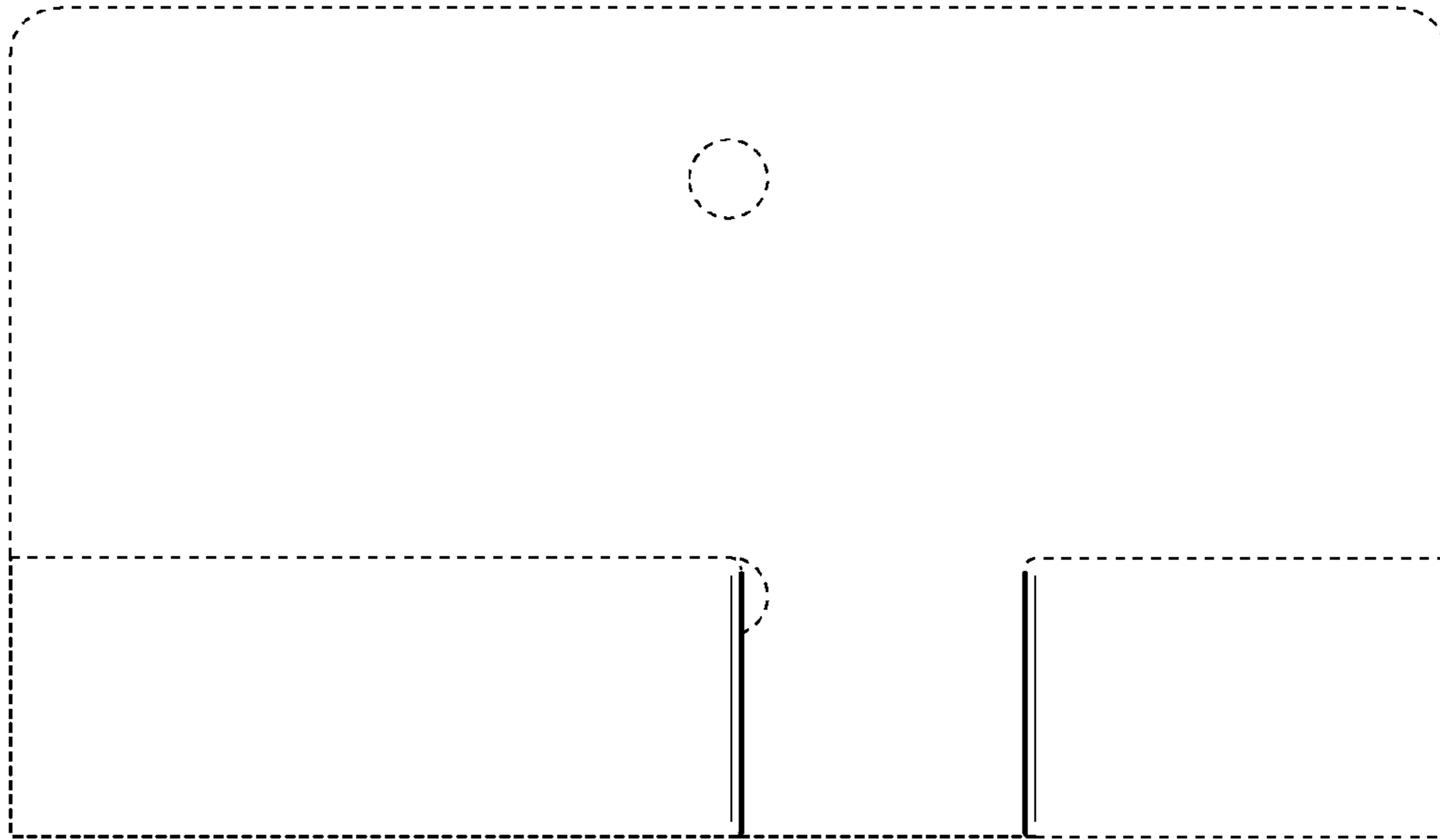


FIG. 3

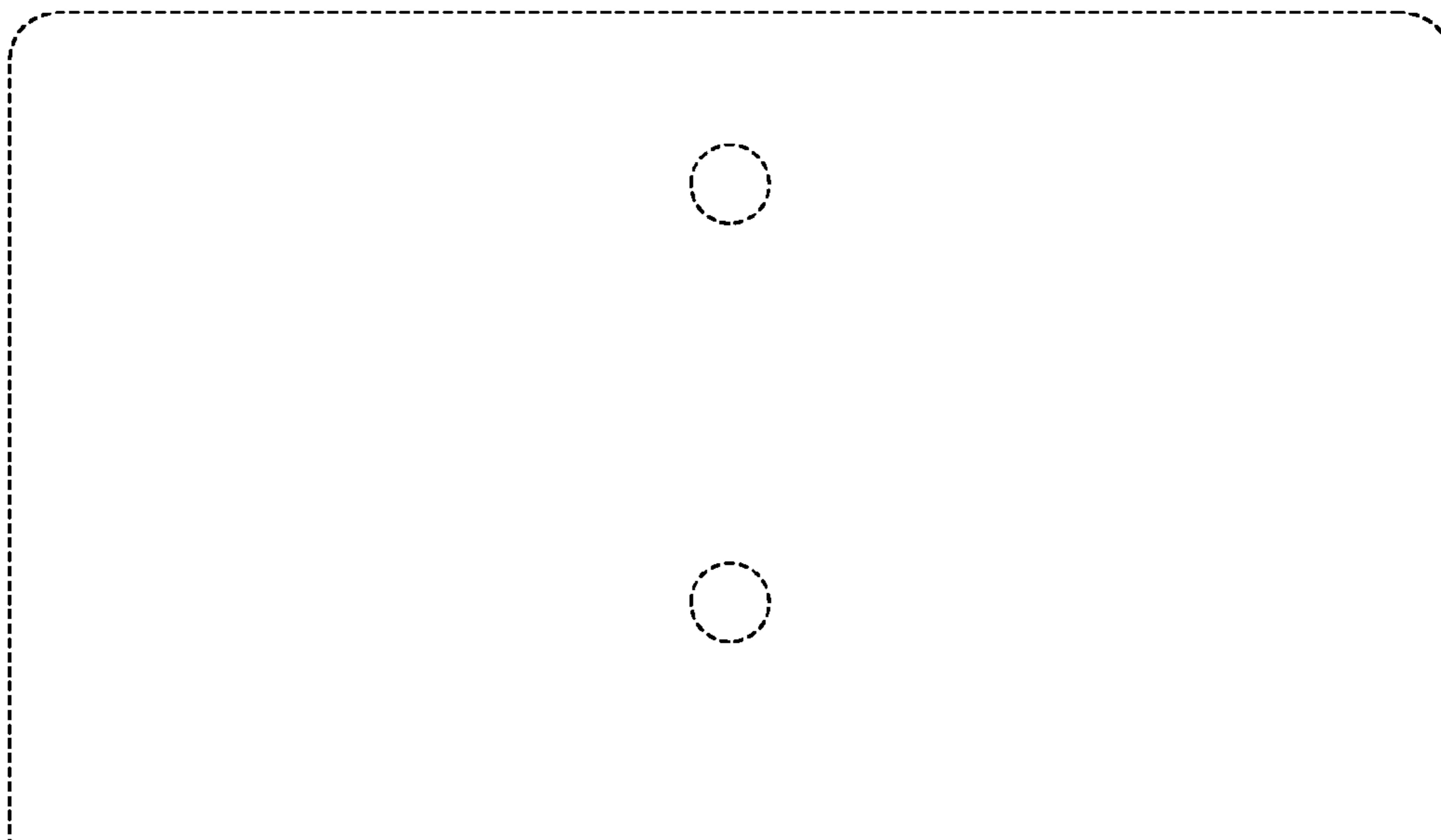


FIG. 4

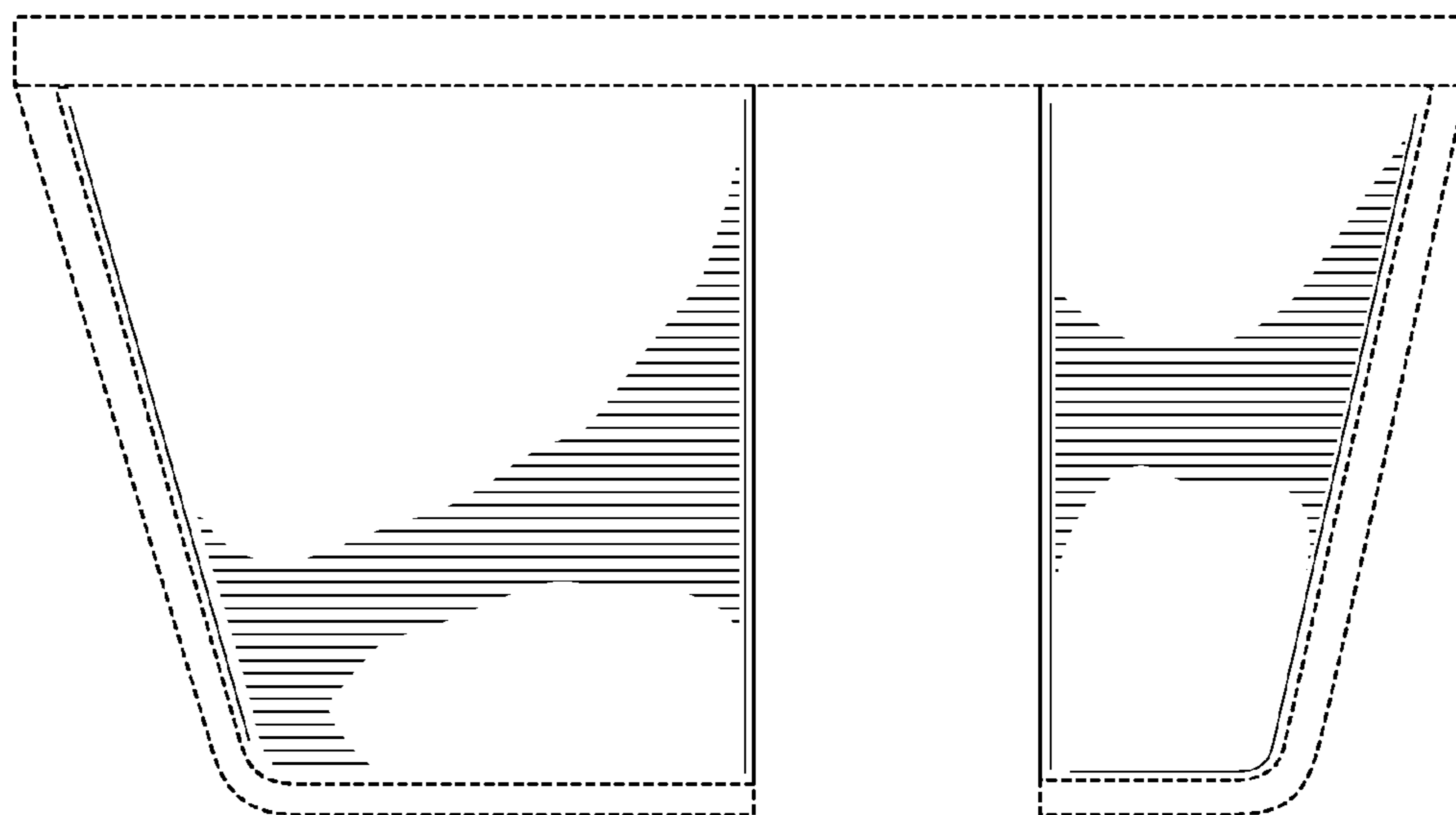


FIG. 5

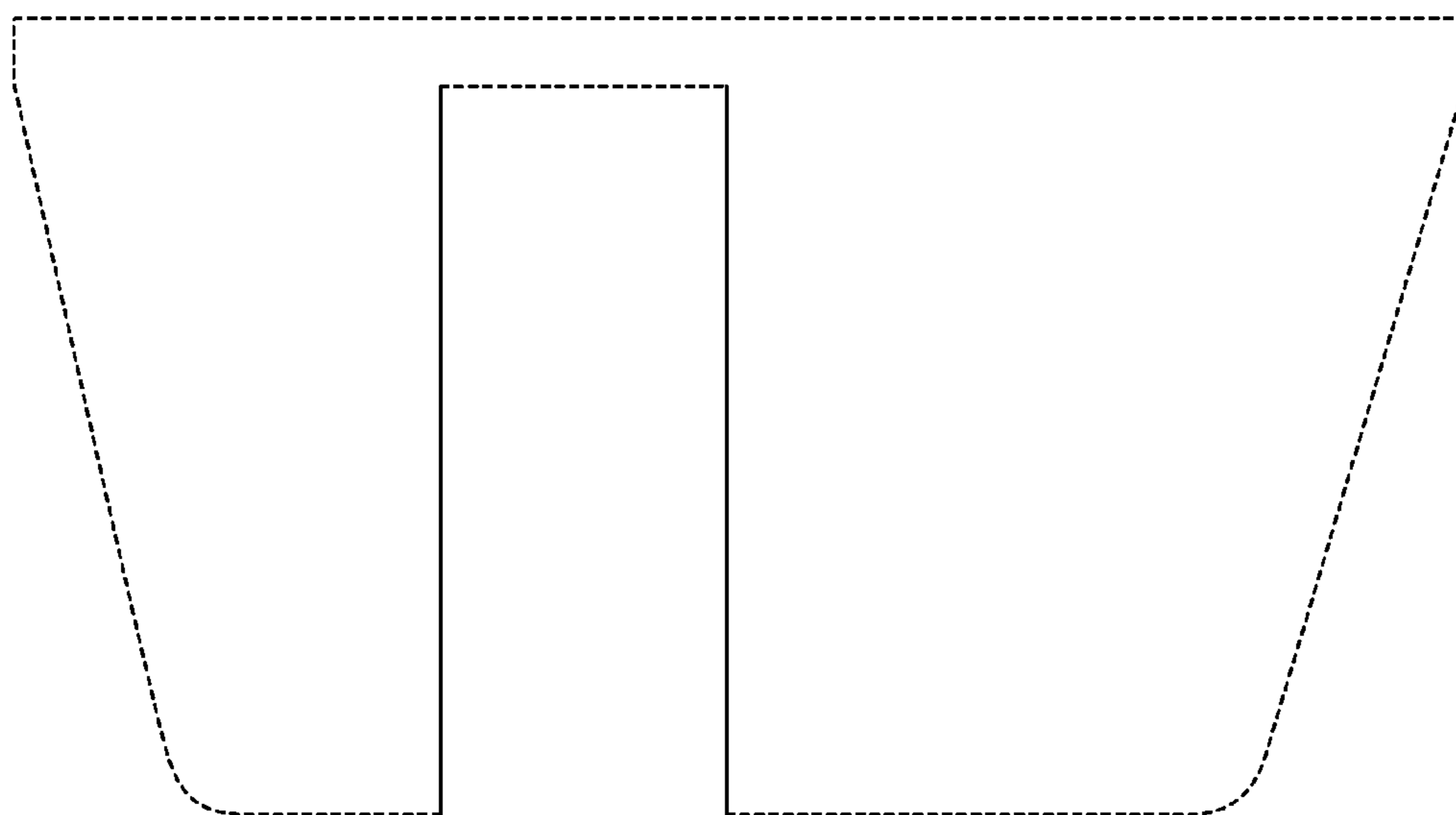


FIG. 6

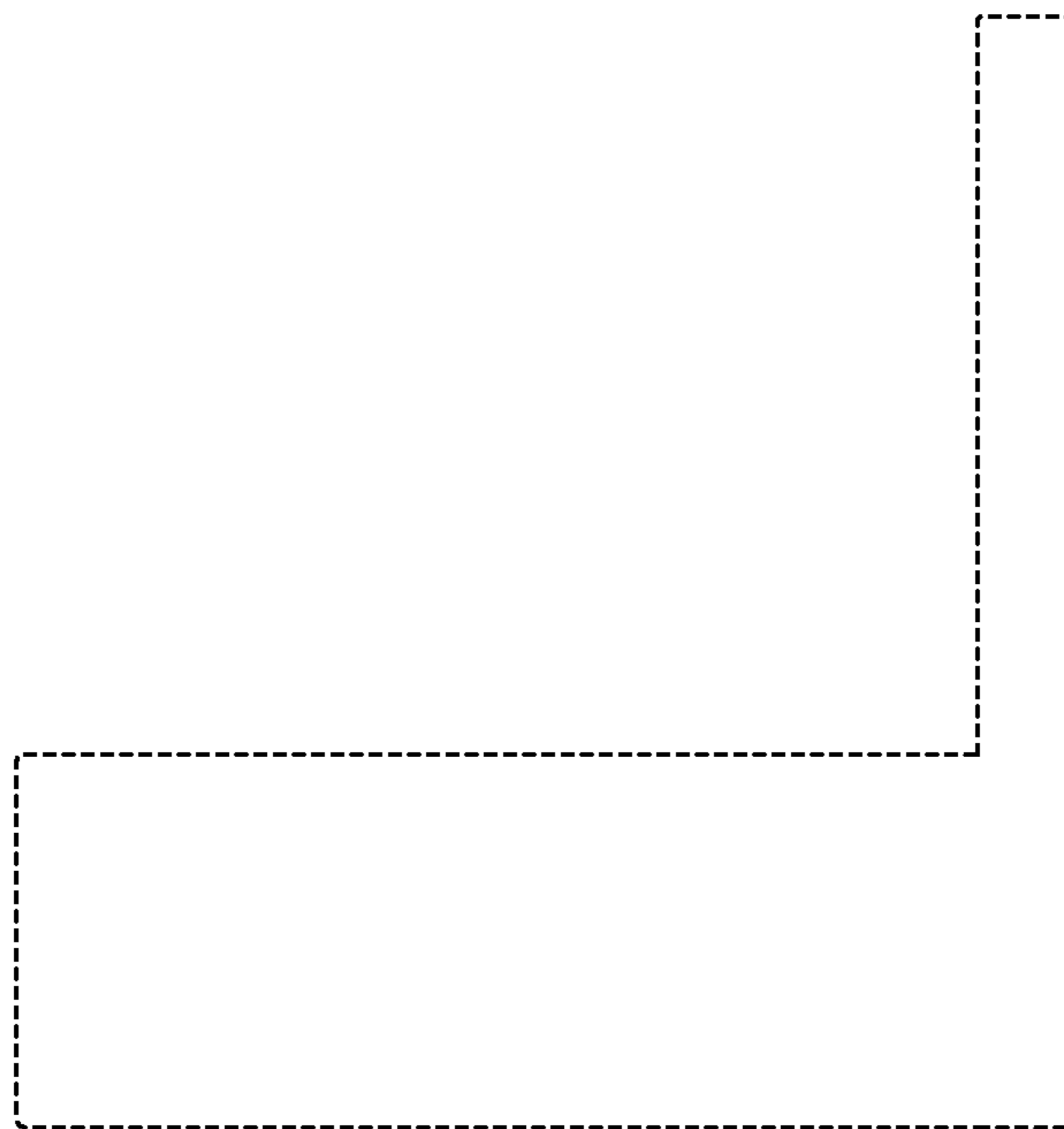


FIG. 7

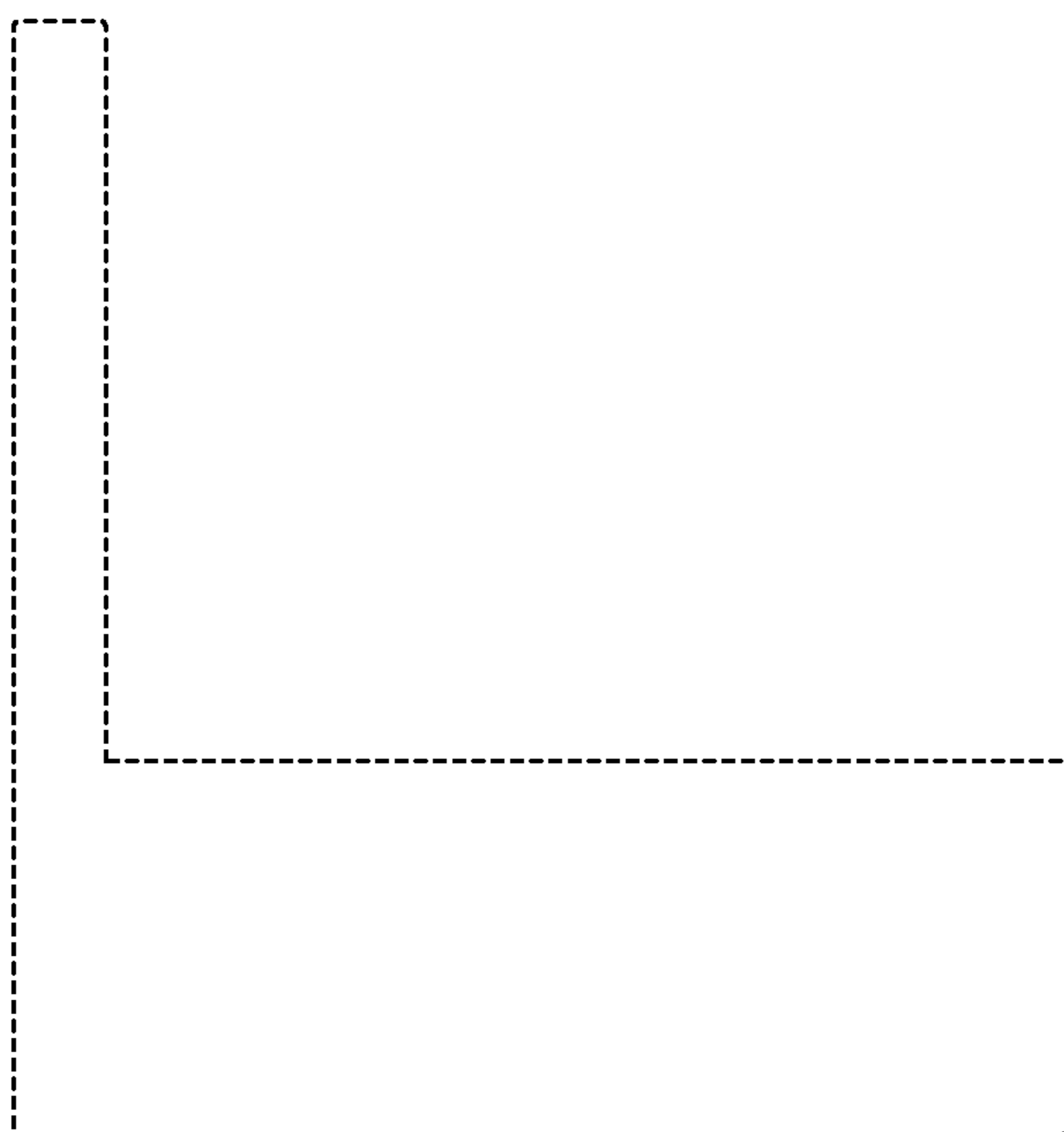


FIG. 8

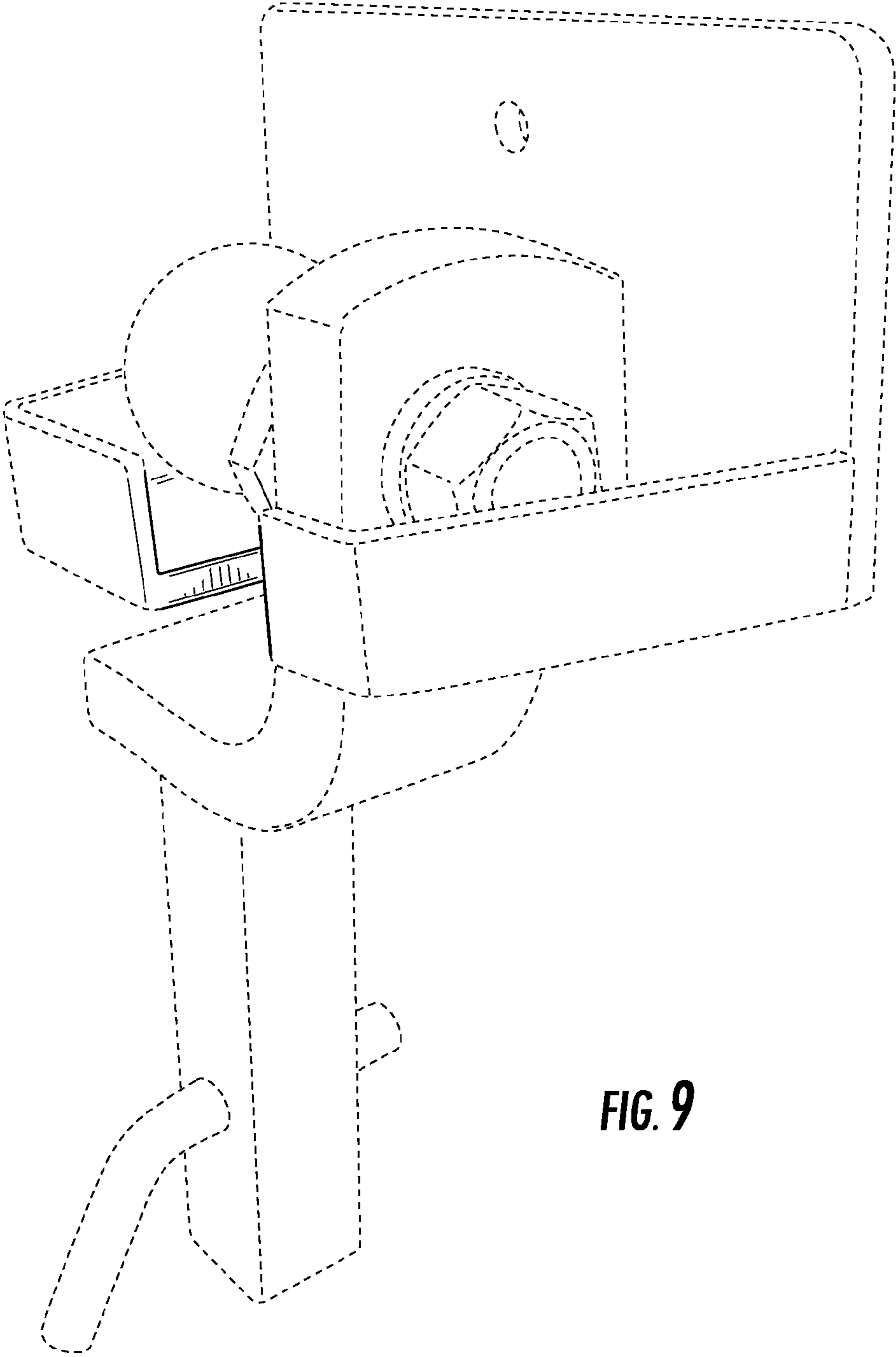


FIG. 9